

## CP/CPL SERIES Heat Pumps

CP18-1EB  
CP25-1EB  
CP30-1EB  
CP36-1EB  
CP42-1EB  
CP48-1EB  
CP60-1EB  
CP60-1FB  
CPL18-1EB  
CPL24-1EB  
CPL30-1EB  
CPL30-1FB  
CPL36-1EB



This manual is to be used by qualified technicians only.

© 1991-2008 Goodman Manufacturing Company, L.P. ♦ 5151 San Felipe, Suite 500 ♦ Houston, TX 77056



# Important Information

---

## Index

Functional Parts List .....	3
Illustration and Parts .....	4 - 9

*Views shown are for parts illustrations only, not servicing procedures.*

### Text Codes:

AR - As Required

NA - Not Available

NS - Not Shown

00000000 - See Note

QTY - Quantity Example (QTY 3) (If Quantity not shown, Quantity = 1)

M - Model Example (M1) (If M Code not shown, then part is used on all Models)

### Expanded Model Nomenclature:

Example M1 - Model#1 M2 - Model#2 M3 - Model#3
---

Goodman Manufacturing Company, L.P. is not responsible for personal injury or property damage resulting from improper service. Review all service information before beginning repairs.

Warranty service must be performed by an authorized technician, using authorized factory parts. If service is required after the warranty expires, Goodman Manufacturing Company, L.P. also recommends contacting an authorized technician and using authorized factory parts.

Goodman Manufacturing Company, L.P. reserves the right to discontinue, or change at any time, specifications or designs without notice or without incurring obligations.

For assistance within the U.S.A. contact:  
Consumer Affairs Department  
Goodman Manufacturing Company, L.P.  
7401 Security Way  
Houston, Texas 77040  
877-254-4729-Telephone  
713-863-2382-Facsimile

For assistance outside the U.S.A. contact:  
International Division  
Goodman Manufacturing Company, L.P.  
7401 Security Way  
Houston, Texas 77040  
713-861-2500-Telephone  
713-863-2382-Facsimile

# Functional Parts

**Part No:**            **Description:**

CAP050200370RSS	CAPACITOR 5/20/370V (M1)
CAP050250370RSS	CAPACITOR 5/25/370V (M6)
CAP050350370RSS	CAPACITOR 5/35/370V (M2, M7, M8)
CAP050350440RSS	CAPACITOR 5/35/440V (M5, M9)
CAP050400370RSS	CAPACITOR 5/40/370V (M3, M4)
CAP050400440RTS	CAPACITOR 5/40/440V (M10, M11)
CAP050550440RTS	CAPACITOR 5/55/440V (M12, M13)
B9266225	COMPRESSOR H20B153ABCA (M1)
B9266812A	COMPRESSOR H21B243ABCA (M2)
B9266220	COMPRESSOR H21B293ABCA (M3)
B9266206	COMPRESSOR H23A463ABCA (M11)
B9266294AS	COMPRESSOR H23A563ABCA (M12, M13)
CR18K6PFV960	COMPRESSOR H23B173ABCA (M6)
B9266833AS	COMPRESSOR H23B243ABCA (M7)
CR28K6PFV960	COMPRESSOR H23B283ABCA (M8)
CR38K6PFV960	COMPRESSOR H25A38QCBCA (706349-1501-00) (M5)
CR35K6PFV960	COMPRESSOR H27A32QCBCA (706920-1501-00) (M9)
B9266201AS	COMPRESSOR H27A42QCBCA (706929-1501-00) (M10)
CR30K6PFV960	COMPRESSOR H27B28QCBCA (707110-1501-00) (M4)
0131M00008PS	COND MOTOR 1/3 HP, 1 SP, 6 PL (M13)
0131M00007PS	COND MOTOR 1/4 HP, 1 SP, 8 PL (M10, M11, M12)
B13400251S	COND MOTOR 1/6 HP, 1 SP, 208/230-60-1 (M1, M2, M3, M4, M5, M6, M7, M8, M9)
CONT2P025024VS	CONTACTOR 25 AMP, 1P, 24V (M1, M2, M3, M4, M5, M6, M7, M8, M9, M10)
CONT2P030024VS	CONTACTOR 30 AMP, 2P, 24V (M11)
CONT1P040024VS	CONTACTOR 35 AMP, 1P, 24V (M12, M13)
B1243733	CRANKCASE HEATER (M9)
B1243731	CRANKCASE HEATER (M1, M2, M3, M4, M5, M6, M7, M8)
B1360719	CUT-OUT SWITCH, LOW PRESSURE (M1, M2, M3, M4, M5, M6, M7, M8, M9)
B1360719	CUT-OUT SWITCH, LOW PRESSURE (M10, M11, M12, M13)
B1370803	DEFROST THERMOSTAT (M1, M2, M3, M4, M5, M6, M7, M8, M9)
B1370803	DEFROST THERMOSTAT (M10, M11, M12, M13)
B1226006	DEFROST TIMER (M1, M2, M3, M4, M5, M6, M7, M8, M9, M10, M11, M12)
B1226008S	DEFROST TIMER WITH RELAY (M1, M2, M3, M4, M5, M6, M7, M8, M9, M13)

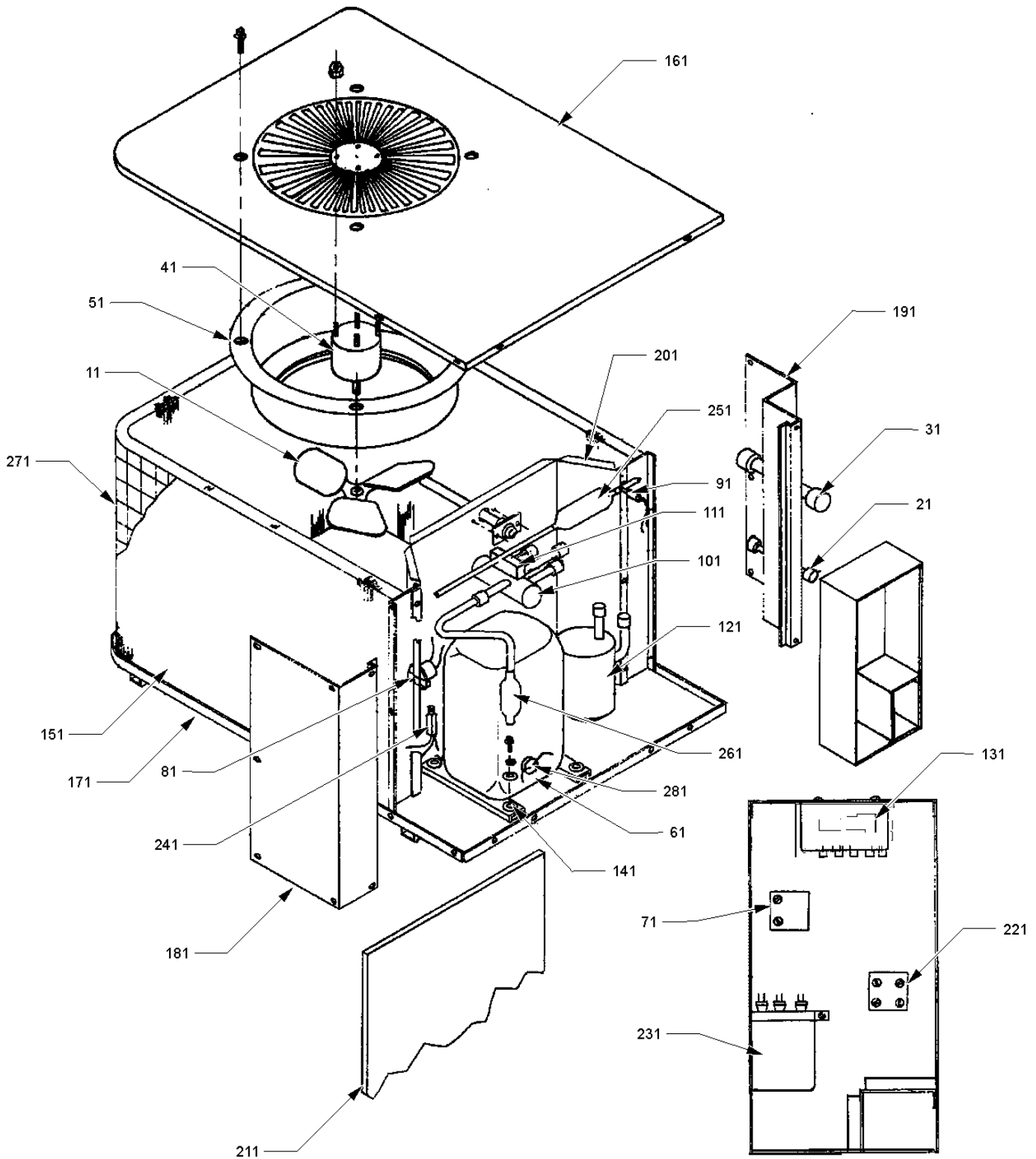
## SPECIAL PARTS

RP-104	REPAIR PARTS MANUAL (M1, M2, M3, M4, M5, M6, M7, M8, M9)
B260S8291	SPRAY PAINT (BAHAMA BEIGE)
B260S8300	SPRAY PAINT (COIL BROWN) (M1, M2, M3, M4, M5, M6, M7, M8, M9)

## Expanded Model Nomenclature

M1 - CPL18-1EB
M2 - CPL24-1EB
M3 - CPL30-1EB
M4 - CPL30-1FB
M5 - CPL36-1EB
M6 - CP18-1EB
M7 - CP25-1EB
M8 - CP30-1EB
M9 - CP36-1EB
M10 - CP42-1EB
M11 - CP48-1EB
M12 - CP60-1EB
M13 - CP60-1FB

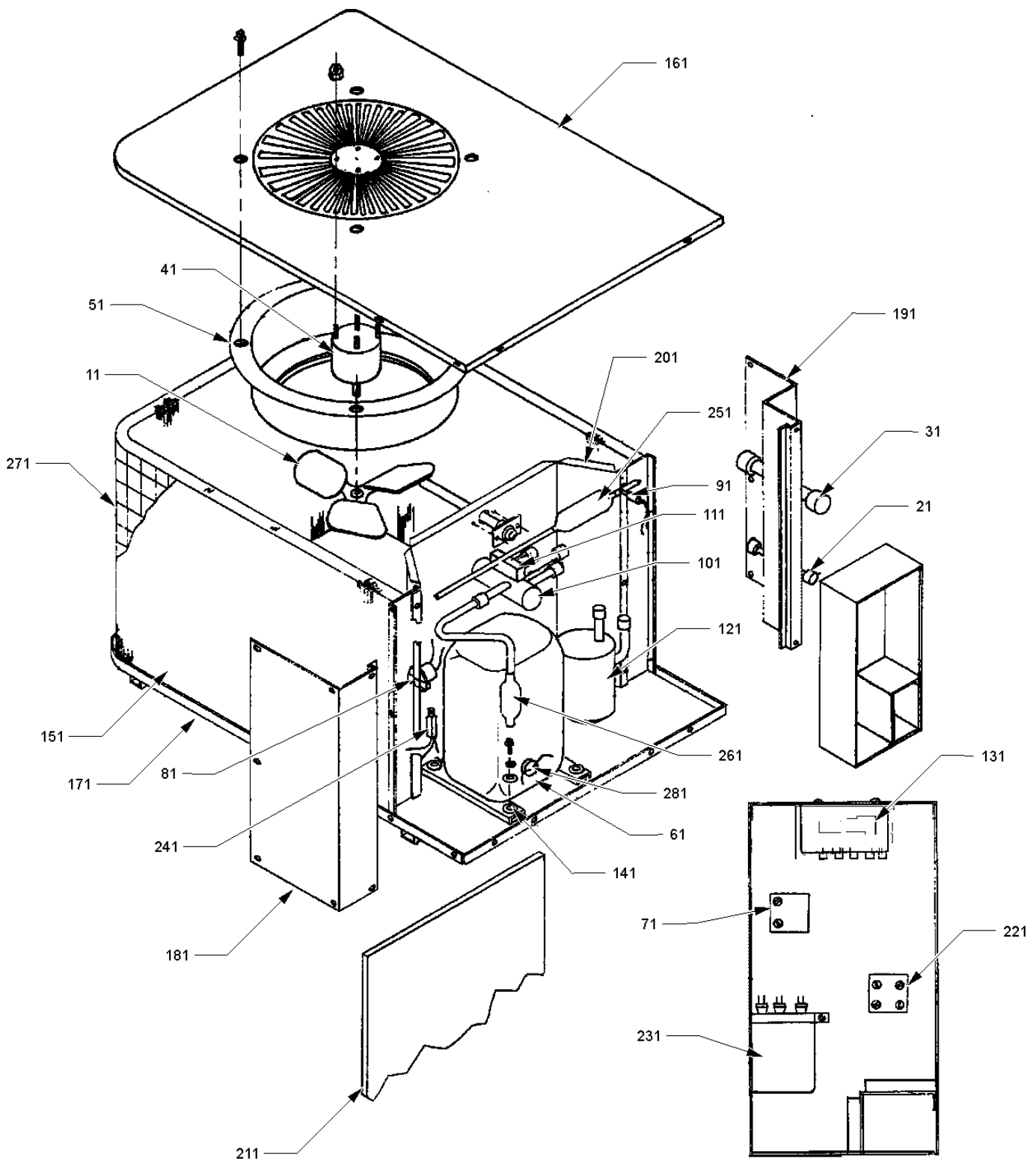
# Replacement Parts List



# Replacement Parts List

Ref. Part No:	No:	Description:	Ref. Part No:	No:	Description:
<i>Image 1:</i>			141	1262301	TUBING ASSY, COND COIL (M3, M4, M8)
11	B1086756S	FAN BLADE 18", 32°, 3 BLADE (M1, M2, M3, M4, M5, M6, M7, M8, M9)	141	1262304	TUBING ASSY, COND COIL (M9)
21	20163801S	3/8" SERVICE VALVE (M1, M2, M3, M4, M5, M6, M7, M8, M9)	141	1262700	TUBING ASSY, COND COIL (M5)
31	B1282566	3/4" SERVICE VALVE (M3, M4, M5, M8, M9)	141	1264850	TUBING ASSY, COND COIL (M1)
31	B1282573	5/8" SERVICE VALVE (M1, M2, M6, M7)	141	1264857	TUBING ASSY, COND COIL (M6)
41	B13400251S	COND MOTOR 1/6 HP, 1 SP, 208/230-60-1 (M1, M2, M3, M4, M5, M6, M7, M8, M9)	141	1264858	TUBING ASSY, COND COIL (M2)
51	B1787810	VENTURI (M1, M2, M3, M4, M5, M6, M7, M8, M9)	151	1779403P	TOP PANEL - LOUVERED (M1, M2, M3, M4, M5, M6, M7, M8, M9)
61	B9266225	COMPRESSOR H20B153ABCA (M1)	161	1787208P	BOTTOM PAN ASSY (M1, M2, M3, M4, M5, M6, M7, M8, M9)
61	B9266812A	COMPRESSOR H21B243ABCA (M2)	171	1787301P	LEFT CORNER PANEL (M1, M2, M6, M7)
61	B9266220	COMPRESSOR H21B293ABCA (M3)	171	1787302P	LEFT CORNER PANEL (M5)
61	CR18K6PFV960	COMPRESSOR H23B173ABCA (M6)	171	1787303P	LEFT CORNER PANEL (M9)
61	B9266833AS	COMPRESSOR H23B243ABCA (M7)	171	1787304P	LEFT CORNER PANEL (M3, M4, M8)
61	CR28K6PFV960	COMPRESSOR H23B283ABCA (M8)	181	1787421P	RIGHT CORNER PANEL (M1, M2, M6, M7)
61	CR38K6PFV960	COMPRESSOR H25A38QCBCA (706349-1501-00) (M5)	181	1787422P	RIGHT CORNER PANEL (M3, M4, M8)
61	CR35K6PFV960	COMPRESSOR H27A32QCBCA (706920-1501-00) (M9)	181	1787423P	RIGHT CORNER PANEL (M5)
61	CR30K6PFV960	COMPRESSOR H27B28QCBCA (707110-1501-00) (M4)	181	1787424P	RIGHT CORNER PANEL (M9)
71	B1370803	DEFROST THERMOSTAT (M1, M2, M3, M4, M5, M6, M7, M8, M9)	191	1787501	PARTITION PANEL (M1, M2, M6, M7)
81	B1360719	CUT-OUT SWITCH, LOW PRESSURE (M1, M2, M3, M4, M5, M6, M7, M8, M9)	191	1787502	PARTITION PANEL (M5)
91	B1227314S	REVERSING VALVE (M1, M2, M6, M7)	191	1787503	PARTITION PANEL (M9)
		EFFECTIVE MAR. 15, 1990 ORDER THIS VALVE IN PLACE OF B12263XX.	191	1787504	PARTITION PANEL (M3, M4, M8)
91	B1227306	REVERSING VALVE W/SOLENOID COIL (M5)	201	1787701P	ACCESS PANEL (M1, M2, M6, M7)
		EFFECTIVE AUG. 1989 ORDER THIS VALVE AND COIL CORD B1225016 IN PLACE OF B12263-02 & B1226306, RESPECTIVELY	201	1787702P	ACCESS PANEL (M5)
91	B1227308	REVERSING VALVE W/SOLENOID COIL (M3, M4)	201	1787703P	ACCESS PANEL (M9)
		EFFECTIVE MAR. 15, 1990 ORDER THIS VALVE IN PLACE OF B12263XX.	201	1787705P	ACCESS PANEL (M3, M4, M8)
91	B1227316S	REVERSING VALVE W/SOLENOID COIL (M8, M9)	<b>Expanded Model Nomenclature</b>		
		EFFECTIVE AUG. 1989 ORDER THIS VALVE AND COIL CORD B1225016 IN PLACE OF B1226302 & B1226306, RESPECTIVELY	M1 - CPL18-1EB		
101	B1225014	REVERSING VALVE SOLENOID (M1, M2, M3, M4, M5, M6, M7, M8, M9)	M2 - CPL24-1EB		
		EFFECTIVE AUG. 1989 ORDER NEW SOLENOID COIL B1225017 FOR NEW B12273 SERIES VALVE AND B1225014 FOR B12263 SERIES AS THESE COILS ARE NOT INTERCHANGEABLE.	M3 - CPL30-1EB		
111	B1226205	ACCUMULATOR (M1, M2, M3, M4, M6, M7)	M4 - CPL30-1FB		
		EFFECTIVE ON MODELS MANUFACTURED AFTER MAR. 15, 1990, SERIAL DATE CODE (9003). ORDER B1226205 & B1226206 INSTEAD OF B1226105 & B1226106. ACCUMULATORS NOT INTERCHANGEABLE.	M5 - CPL36-1EB		
111	B1226206	ACCUMULATOR (M5, M8, M9)	M6 - CP18-1EB		
121	B1226006	DEFROST TIMER (M1, M2, M3, M4, M5, M6, M7, M8, M9)	M7 - CP25-1EB		
121	B1226008S	DEFROST TIMER WITH RELAY (M1, M2, M3, M4, M5, M6, M7, M8, M9)	M8 - CP30-1EB		
131	B1339530	COMPRESSOR GROMMET (M1, M2, M3, M4, M5, M6, M7, M8, M9)	M9 - CP36-1EB		
141	1262300	TUBING ASSY, COND COIL (M7)	M10 - CP42-1EB		
			M11 - CP48-1EB		
			M12 - CP60-1EB		
			M13 - CP60-1FB		

# Replacement Parts List



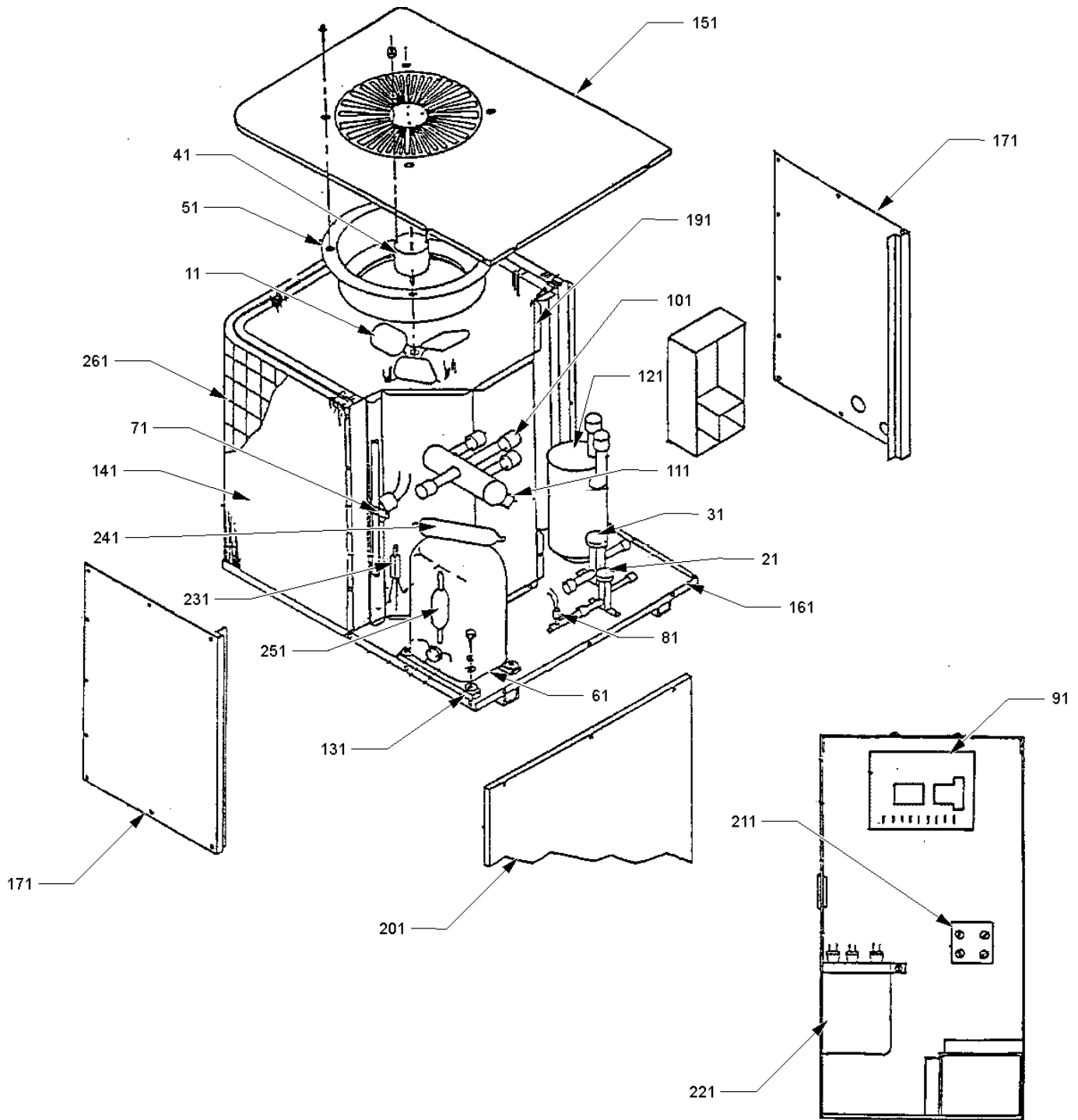
# Replacement Parts List

Ref. Part No:	Description:	Ref. Part No:	Description:
<i>Image 1:</i>			
211	CONT2P025024VS		CONTACTOR 25 AMP, 2P, 24V (M1, M2, M3, M4, M5, M6, M7, M8, M9)
221	CAP050200370RSS		CAPACITOR 5/20/370V (M1)
221	CAP050250370RSS		CAPACITOR 5/25/370V (M6)
221	CAP050350370RSS		CAPACITOR 5/35/370V (M2, M7, M8)
221	CAP050350440RSS		CAPACITOR 5/35/440V (M5, M9)
221	CAP050400370RSS		CAPACITOR 5/40/370V (M3, M4)
231	B1313243		FLOWRATOR .043 (M6)
231	B1313245		FLOWRATOR .045 (M1)
231	B1313353		FLOWRATOR .053 (M2, M7)
231	B1314359		FLOWRATOR .059 (M8)
231	B1313362		FLOWRATOR .062 (M3, M4, M5)
231	B1313465		FLOWRATOR.065 (M9)
241	B1219201S		BI-FLOW FILTER DRIER (M1, M2, M3, M4, M5, M6, M7, M8, M9)
251	B1219300		MUFFLER 3/8" X 3/8" (M1, M2, M3, M4, M5, M6, M7, M8, M9)
261	1259317P		INLET GRILLE (M1, M2, M6, M7)
261	1259320P		INLET GRILLE (M3, M4, M8)
261	1259325P		INLET GRILLE (M5)
261	1259330P		INLET GRILLE (M9)
271	B1243731		CRANKCASE HEATER (M1, M2, M3, M4, M5, M6, M7, M8)
271	B1243733		CRANKCASE HEATER (M9)

## Expanded Model Nomenclature

- |                |
|----------------|
| M1 - CPL18-1EB |
| M2 - CPL24-1EB |
| M3 - CPL30-1EB |
| M4 - CPL30-1FB |
| M5 - CPL36-1EB |
| M6 - CP18-1EB  |
| M7 - CP25-1EB  |
| M8 - CP30-1EB  |
| M9 - CP36-1EB  |
| M10 - CP42-1EB |
| M11 - CP48-1EB |
| M12 - CP60-1EB |
| M13 - CP60-1FB |

# Replacement Parts List



# Replacement Parts List

Ref. Part No:	No:	Description:	Ref. Part No:	No:	Description:													
<i>Image 1:</i>			241	B1219201S	BI-FLOW FILTER DRIER (M10, M11, M12, M13)													
11	B1086750S	FAN BLADE 22", 3 BLADE, 24° (M10, M11, M12)	251	B1219301	MUFFLER 1/2" X 1/2" (M10, M11, M12, M13)													
11	B1086748	FAN BLADE 22", 30°, 3 BLADES (M13)	261	1259332P	INLET GRILLE (M10, M11, M12)													
21	20163801S	3/8" SERVICE VALVE (M10, M11, M12, M13)	261	1259432P	INLET GRILLE (M13)													
31	B1282543	7/8" SERVICE VALVE (M10, M11, M12, M13)	<b>Expanded Model Nomenclature</b>															
41	0131M00008PS	COND MOTOR 1/3 HP, 1 SP, 6 PL (M13)	<table border="1"> <tr><td>M1 - CPL18-1EB</td></tr> <tr><td>M2 - CPL24-1EB</td></tr> <tr><td>M3 - CPL30-1EB</td></tr> <tr><td>M4 - CPL30-1FB</td></tr> <tr><td>M5 - CPL36-1EB</td></tr> <tr><td>M6 - CP18-1EB</td></tr> <tr><td>M7 - CP25-1EB</td></tr> <tr><td>M8 - CP30-1EB</td></tr> <tr><td>M9 - CP36-1EB</td></tr> <tr><td>M10 - CP42-1EB</td></tr> <tr><td>M11 - CP48-1EB</td></tr> <tr><td>M12 - CP60-1EB</td></tr> <tr><td>M13 - CP60-1FB</td></tr> </table>			M1 - CPL18-1EB	M2 - CPL24-1EB	M3 - CPL30-1EB	M4 - CPL30-1FB	M5 - CPL36-1EB	M6 - CP18-1EB	M7 - CP25-1EB	M8 - CP30-1EB	M9 - CP36-1EB	M10 - CP42-1EB	M11 - CP48-1EB	M12 - CP60-1EB	M13 - CP60-1FB
M1 - CPL18-1EB																		
M2 - CPL24-1EB																		
M3 - CPL30-1EB																		
M4 - CPL30-1FB																		
M5 - CPL36-1EB																		
M6 - CP18-1EB																		
M7 - CP25-1EB																		
M8 - CP30-1EB																		
M9 - CP36-1EB																		
M10 - CP42-1EB																		
M11 - CP48-1EB																		
M12 - CP60-1EB																		
M13 - CP60-1FB																		
41	0131M00007PS	COND MOTOR 1/4 HP, 1 SP, 8 PL (M10, M11, M12)																
51	1787811	VENTURI (M10, M11, M12, M13)																
61	B9266206	COMPRESSOR H23A463ABCA (M11)																
61	B9266294AS	COMPRESSOR H23A563ABCA (M12, M13)																
61	B9266201AS	COMPRESSOR H27A42QCBCA (706929-1501-00) (M10)																
71	B1370803	DEFROST THERMOSTAT (M10, M11, M12, M13)																
81	B1360719	CUT-OUT SWITCH, LOW PRESSURE (M10, M11, M12, M13)																
91	B1226006	DEFROST TIMER (M10, M11, M12)																
91	B1226008S	DEFROST TIMER WITH RELAY (M13)																
101	B1227317S	REVERSING VALVE (M10, M11, M12, M13) EFFECTIVE MAR. 15, 1990 ORDER THIS VALVE AND COIL CORD B1225016 IN PLACE OF B1226310.																
111	B1225014	REVERSING VALVE SOLENOID (M10, M11, M12) EFFECTIVE MAR. 15, 1990 ORDER SOLENOID COIL B1225017 FOR NEW B12273 SERIES VALVE AND B1225014 FOR B12263 SERIES AS THESE COILS ARE NOT INTERCHANGEABLE.																
121	B1226207	ACCUMULATOR (M10, M11, M12, M13)																
131	B1339530	COMPRESSOR GROMMET (M10, M11, M12, M13)																
141	1264855	TUBING ASSY, COND COIL (M10, M11)																
141	1264856	TUBING ASSY, COND COIL (M12)																
141	1264905	TUBING ASSY, COND COIL (M13)																
151	1779404P	TOP PANEL - LOUVERED (M10, M11, M12, M13)																
161	1779107P	BOTTOM PAN ASSY (M10, M11, M12, M13)																
171	1779213P	LEFT CORNER PANEL (M10, M11, M12)																
171	1779232P	SIDE PANEL (M13)																
181	1779211P	RIGHT CORNER PANEL (M10, M11, M12)																
191	1779506	PARTITION PANEL (M10, M11, M12)																
191	1779532	PARTITION PANEL (M13) USE WITH 77" LONG COIL.																
201	1779304P	ACCESS PANEL (M10, M11, M12, M13)																
211	CONT2P025024VS	CONTACTOR 25 AMP, 1P, 24V (M10)																
211	CONT2P030024VS	CONTACTOR 30 AMP, 2P, 24V (M11)																
211	CONT1P040024VS	CONTACTOR 35 AMP, 1P, 24V (M12, M13)																
221	CAP050400440RTS	CAPACITOR 5/40/440V (M10, M11)																
221	CAP050550440RTS	CAPACITOR 5/55/440V (M12, M13)																
231	B2114665	FLOWRATOR .065 (M12)																
231	B2114672	FLOWRATOR .072 (M10)																
231	B2114674	FLOWRATOR .074 (M11)																
231	B2114692	FLOWRATOR .092 (M13)																