



REPAIR PARTS

CM Series Condensing Units

CM18-1B
CM18-1C
CM19-1C
CM24-1B
CM25-1B
CM25-1C
CM30-1AB
CM30-1C
CM36-1B
CM36-1C
CM42-1B
CM42-1C
CM47-1B
CM47-1C
CM48-1B
CM48-1C
CM60-1B
CM60-1C

This manual is to be used by qualified technicians only.

© 1987-2008 Goodman Manufacturing Company, L.P. ♦ 5151 San Felipe, Suite 500 ♦ Houston, TX 77056



Important Information

Index

Functional Parts List	3
Illustration and Parts	4 - 7

Views shown are for parts illustrations only, not servicing procedures.

Text Codes:

AR - As Required

NA - Not Available

NS - Not Shown

00000000 - See Note

QTY - Quantity Example (QTY 3) (If Quantity not shown, Quantity = 1)

M - Model Example (M1) (If M Code not shown, then part is used on all Models)

Expanded Model Nomenclature:

Example M1 - Model#1 M2 - Model#2 M3 - Model#3

Goodman Manufacturing Company, L.P. is not responsible for personal injury or property damage resulting from improper service. Review all service information before beginning repairs.

Warranty service must be performed by an authorized technician, using authorized factory parts. If service is required after the warranty expires, Goodman Manufacturing Company, L.P. also recommends contacting an authorized technician and using authorized factory parts.

Goodman Manufacturing Company, L.P. reserves the right to discontinue, or change at any time, specifications or designs without notice or without incurring obligations.

For assistance within the U.S.A. contact:
Consumer Affairs Department
Goodman Manufacturing Company, L.P.
7401 Security Way
Houston, Texas 77040
877-254-4729-Telephone
713-863-2382-Facsimile

For assistance outside the U.S.A. contact:
International Division
Goodman Manufacturing Company, L.P.
7401 Security Way
Houston, Texas 77040
713-861-2500-Telephone
713-863-2382-Facsimile

Functional Parts

Part

No: Description:

Expanded Model Nomenclature

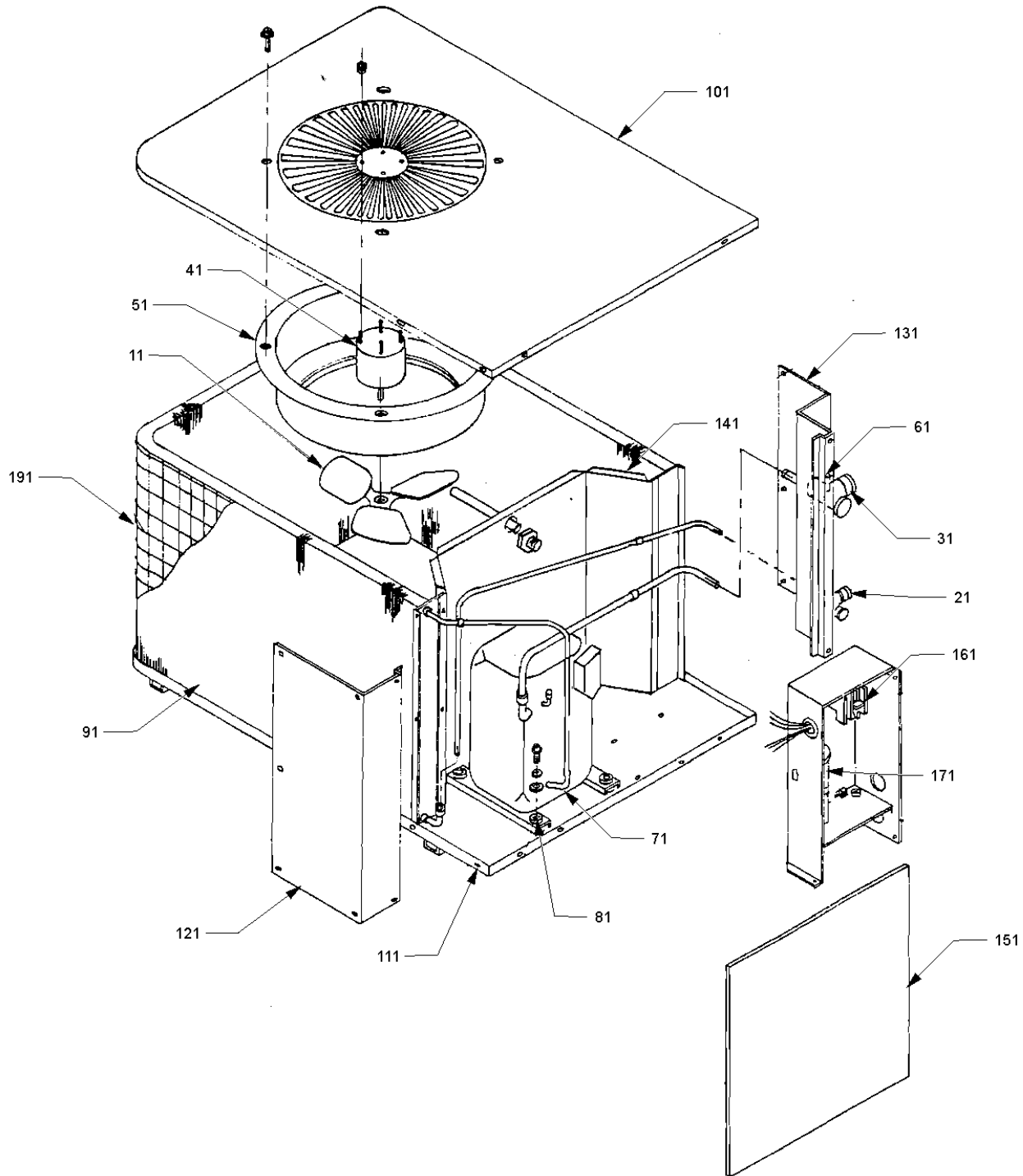
CAP050200370RSS	CAPACITOR 5/20/370V (M1)
CAP050250370RSS	CAPACITOR 5/25/370V (M2, M3, M4)
CAP050300370RSS	CAPACITOR 5/30/370V (M5, M6)
CAP050350370RSS	CAPACITOR 5/35/370V (M7, M8)
CAP050350440RSS	CAPACITOR 5/35/440V (M9)
CAP050400370RSS	CAPACITOR 5/40/370V (M10)
CAP050400440RTS	CAPACITOR 5/40/440V (M11, M12, M13, M14, M15, M16)
CAP050450440RTS	CAPACITOR 5/45/440V (M18)
CAP050550440RTS	CAPACITOR 5/55/440V (M17)
B9266300	COMPRESSOR #CRH3-0275-PFV-230 (M10)
B9266302	COMPRESSOR #CRK3-0325-PFV-230 (M12)
B9266303	COMPRESSOR #CRK3-0325-PFV-270 (M14)
B9266304	COMPRESSOR #CRL1-0350-PFV-270 (M16)
B9266305	COMPRESSOR #CRP1-0450-PFV-270 (M18)
B9266321	COMPRESSOR #CRZ40150PFV230 (M3)
B9266298A	COMPRESSOR #H23A423ABCA (M11)
B9266206	COMPRESSOR #H23A463ABCA (M15)
B9266294AS	COMPRESSOR #H23A563ABCA (M17)
B9266214A	COMPRESSOR #H23B223ABCA (M5)
B9266317	COMPRESSOR #RES3-0175-PFV-216 (M2)
B9266316	COMPRESSOR #SRB6-0200-PFV-231 (M6)
B9266312	COMPRESSOR #SRD6-0225-PFV-232 (M8)
CR18K6PFV960	COMPRESSOR 1800, 208/230/60/1 (M1, M4)
CR35K6PFV960	COMPRESSOR H27A32QCBCA (706920-1501-00) (M9)
B9266201AS	COMPRESSOR H27A42QCBCA (706929-1501-00) (M13)
CR30K6PFV960	COMPRESSOR H27B28QCBCA (707110-1501-00) (M7)
0131M00007PS	COND MOTOR 1/4 HP, 1 SP, 8 PL (M13, M14, M15, M16, M17, M18)
B13400251S	COND MOTOR 1/6 HP, 1 SP, 230V (M1, M2, M3, M4, M5, M6, M7, M8, M9, M10, M11, M12)
CONT2P025024VS	CONTACTOR 25 AMP, 2P, 24V (M11, M12, M13, M14)
B1243731	CRANKCASE HEATER (M13, M15, M17)
B1243732	CRANKCASE HEATER (M14, M16, M18)

M1 - CM18-1B
M2 - CM18-1C
M3 - CM19-1C
M4 - CM24-1B
M5 - CM25-1B
M6 - CM25-1C
M7 - CM30-1AB
M8 - CM30-1C
M9 - CM36-1B
M10 - CM36-1C
M11 - CM42-1B
M12 - CM42-1C
M13 - CM47-1B
M14 - CM47-1C
M15 - CM48-1B
M16 - CM48-1C
M17 - CM60-1B
M18 - CM60-1C

SPECIAL PARTS

RP-109	REPAIR PARTS MANUAL
260S8290	SPRAY PAINT-BAHAMA BEIGE
260S8280	SPRAY PAINT-GRAY

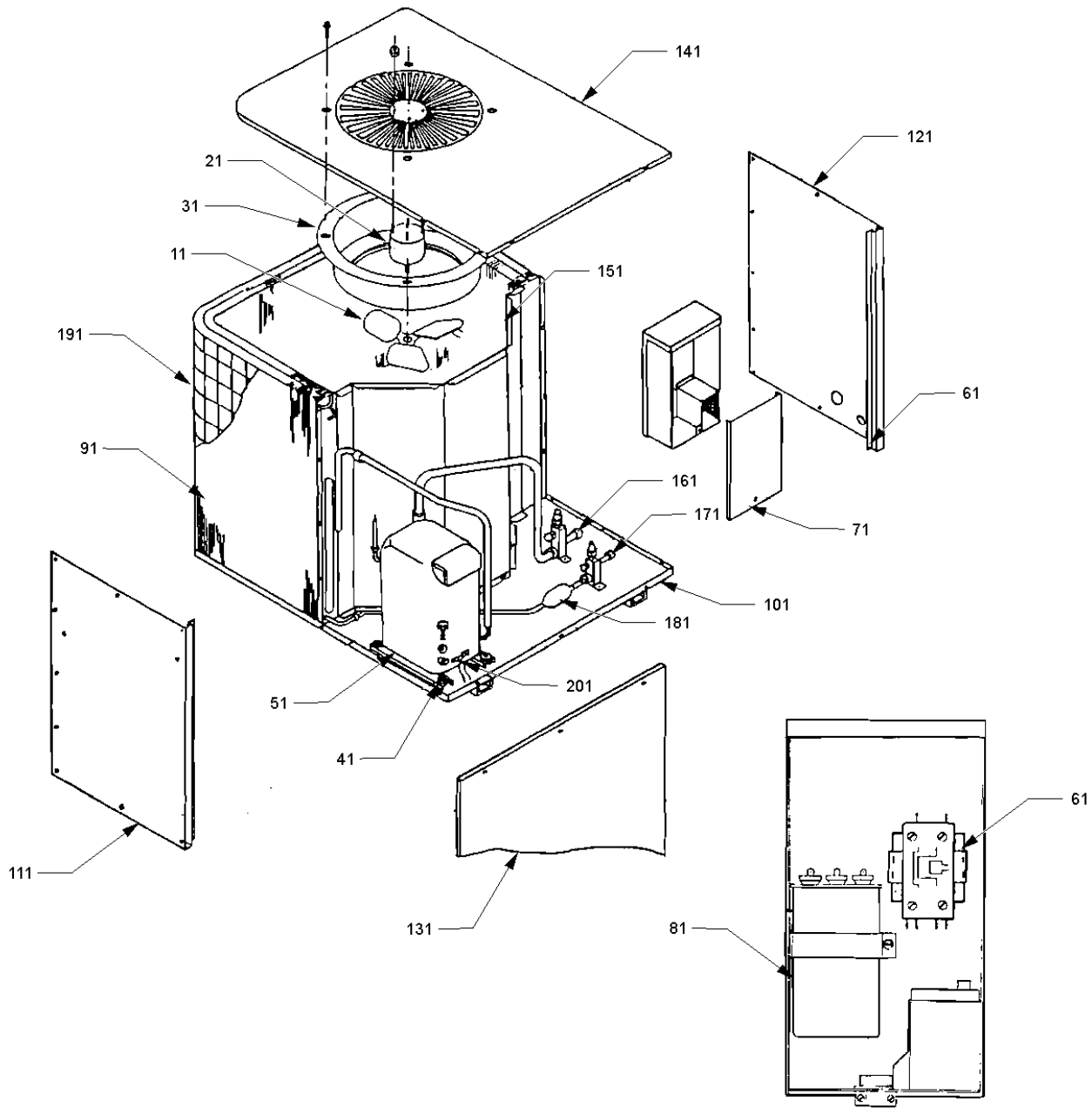
Replacement Parts List



Replacement Parts List

Ref. Part No:	No:	Description:	Ref. Part No:	No:	Description:
<i>Image 1:</i>			141	1787502	PARTITION PANEL (M8, M9, M10)
11	B1086756S	FAN BLADE 18", 3 BLADE, 32° (M1, M2, M3, M4, M5, M6, M7, M8, M9, M10, M11, M12)	141	1787503	PARTITION PANEL (M11, M12)
21	20163801S	3/8" SERVICE VALVE (M1, M2, M3, M4, M5, M6, M7, M8, M9, M10, M11, M12)	141	1787504	PARTITION PANEL (M7)
31	B1282566	3/4" SERVICE VALVE (M4, M5, M6, M7, M8, M9, M10, M11, M12)	151	1787700P	ACCESS PANEL (M1, M2, M3)
31	B1282573	5/8" SERVICE VALVE (M1, M2, M3)	151	1787701P	ACCESS PANEL (M4, M5, M6)
41	B13400251S	COND MOTOR 1/6 HP, 1 SP, 230V (M1, M2, M3, M4, M5, M6, M7, M8, M9, M10, M11, M12)	151	1787702P	ACCESS PANEL (M8, M9, M10)
51	B1787810	VENTURI (M1, M2, M3, M4, M5, M6, M7, M8, M9, M10, M11, M12)	151	1787703P	ACCESS PANEL (M11, M12)
61	B1787000	VALVE CORE (M1, M2, M3, M4, M5, M6, M7, M8, M9, M10, M11, M12)	151	1787705P	ACCESS PANEL (M7)
71	B9266300	COMPRESSOR #CRH3-0275-PFV-230 (M10)	161	B1360321	CONTACTOR 23 AMP, 1P, 24V (M1, M2, M3, M4, M5, M6, M7, M8, M9, M10)
71	B9266302	COMPRESSOR #CRK3-0325-PFV-230 (M12)	161	CONT2P025024VS	CONTACTOR 25 AMP, 2P, 24V (M11, M12)
71	B9266321	COMPRESSOR #CRZ40150PFV230 (M3)	171	CAP050200370RSS	CAPACITOR 5/20/370V (M1)
71	B9266298A	COMPRESSOR #H23A423ABCA (M11)	171	CAP050250370RSS	CAPACITOR 5/25/370V (M2, M3, M4)
71	B9266214A	COMPRESSOR #H23B223ABCA (M5)	171	CAP050300370RSS	CAPACITOR 5/30/370V (M5, M6)
71	B9266317	COMPRESSOR #RES3-0175-PFV-216 (M2)	171	CAP050350370RSS	CAPACITOR 5/35/370V (M7, M8)
71	B9266316	COMPRESSOR #SRB6-0200-PFV-231 (M6)	171	CAP050350440RSS	CAPACITOR 5/35/440V (M9)
71	B9266312	COMPRESSOR #SRD6-0225-PFV-232 (M8)	171	CAP050400370RSS	CAPACITOR 5/40/370V (M10)
71	CR18K6PFV960	COMPRESSOR 1800, 208/230/60/1 (M1, M4)	171	CAP050400440RTS	CAPACITOR 5/40/440V (M11, M12)
71	CR35K6PFV960	COMPRESSOR H27A32QCBCA (706920-1501-00) (M9)	181	B1219216	FILTER DRIER (M1, M2, M3, M4, M5, M6, M7, M8, M9, M10, M11, M12)
71	CR30K6PFV960	COMPRESSOR H27B28QCBCA (707110-1501-00) (M7)	191	B1249328	INLET GRILLE (M1, M2, M3)
81	B1339530	COMPRESSOR GROMMET (M1, M2, M3, M4, M5, M6, M7, M8, M9, M10, M11, M12)	191	B1249329	INLET GRILLE (M4, M5, M6)
91	12646192	TUBING ASSY, COND COIL (M1, M2, M3)	191	B1249330	INLET GRILLE (M8, M9, M10)
91	12646193	TUBING ASSY, COND COIL (M4, M5, M6)	191	B1249336	INLET GRILLE (M7)
91	12646195	TUBING ASSY, COND COIL (M8, M9, M10)	191	B1259330	INLET GRILLE (M11, M12)
91	12646196	TUBING ASSY, COND COIL (M11, M12)	NS	260S8290	SPRAY PAINT-BAHAMA BEIGE
91	12646262	TUBING ASSY, COND COIL (M7)	NS	260S8280	SPRAY PAINT-GRAY
101	1779403P	TOP PANEL-LOUVERED (M1, M2, M3, M4, M5, M6, M7, M8, M9, M10, M11, M12)	Expanded Model Nomenclature		
111	1787203	BOTTOM PAN ASSY (M1, M2, M3, M4, M5, M6, M7, M8, M9, M10, M11, M12)	M1 - CM18-1B		
121	1787300P	LEFT CORNER PANEL (M1, M2, M3)	M2 - CM18-1C		
121	1787301P	LEFT CORNER PANEL (M4, M5, M6)	M3 - CM19-1C		
121	1787302P	LEFT CORNER PANEL (M8, M9, M10)	M4 - CM24-1B		
121	1787303P	LEFT CORNER PANEL (M11, M12)	M5 - CM25-1B		
121	1787304P	LEFT CORNER PANEL (M7)	M6 - CM25-1C		
131	1787420P	RIGHT CORNER PANEL (M1, M2, M3)	M7 - CM30-1AB		
131	1787421P	RIGHT CORNER PANEL (M4, M5, M6)	M8 - CM30-1C		
131	1787422P	RIGHT CORNER PANEL (M7)	M9 - CM36-1B		
131	1787423P	RIGHT CORNER PANEL (M8, M9, M10)	M10 - CM36-1C		
131	1787424	RIGHT CORNER PANEL (M11, M12)	M11 - CM42-1B		
141	1787500	PARTITION PANEL (M1, M2, M3)	M12 - CM42-1C		
141	1787501	PARTITION PANEL (M4, M5, M6)	M13 - CM47-1B		
			M14 - CM47-1C		
			M15 - CM48-1B		
			M16 - CM48-1C		
			M17 - CM60-1B		
			M18 - CM60-1C		

Replacement Parts List



Replacement Parts List

Ref. Part No:	No:	Description:	Ref. Part No:	No:	Description:
<i>Image 1:</i>			Expanded Model Nomenclature		
11	B1086750S	FAN BLADE 22", 3 BLADE, 24° (M13, M14, M15, M16, M17, M18)	M1 -	CM18-1B	
21	0131M00007PS	COND MOTOR 1/4 HP, 1 SP, 8 PL (M13, M14, M15, M16, M17, M18)	M2 -	CM18-1C	
31	B1787811	VENTURI (M13, M14, M15, M16, M17, M18)	M3 -	CM19-1C	
41	B1339530	COMPRESSOR GROMMET (M13, M14, M15, M17)	M4 -	CM24-1B	
41	B1339533	COMPRESSOR GROMMET (M16, M18)	M5 -	CM25-1B	
51	B9266303	COMPRESSOR #CRK3-0325-PFV-270 (M14)	M6 -	CM25-1C	
51	B9266304	COMPRESSOR #CRL1-0350-PFV-270 (M16)	M7 -	CM30-1AB	
51	B9266305	COMPRESSOR #CRP1-0450-PFV-270 (M18)	M8 -	CM30-1C	
51	B9266206	COMPRESSOR #H23A463ABCA (M15)	M9 -	CM36-1B	
51	B9266294AS	COMPRESSOR #H23A563ABCA (M17)	M10 -	CM36-1C	
51	B9266201AS	COMPRESSOR H27A42QCBCA (706929-1501-00) (M13)	M11 -	CM42-1B	
61	CONT2P025024VS	CONTACTOR 25 AMP, 1P, 24V (M13, M14)	M12 -	CM42-1C	
61	CONT2P030024VS	CONTACTOR 30 AMP, 2P, 24V (M15, M16)	M13 -	CM47-1B	
61	CONT2P040024VS	CONTACTOR 40 AMP, 2P, 24V (M17, M18)	M14 -	CM47-1C	
71	1410900	CONTROL BOX COVER (M13, M14, M15, M16, M17, M18)	M15 -	CM48-1B	
81	CAP050400440RTS	CAPACITOR 5/40/440V (M13, M14, M15, M16)	M16 -	CM48-1C	
81	CAP050450440RTS	CAPACITOR 5/45/440V (M18)	M17 -	CM60-1B	
81	CAP050550440RTS	CAPACITOR 5/55/440V (M17)	M18 -	CM60-1C	
91	12646233	TUBING ASSY, COND COIL (M17, M18)			
91	12646235	TUBING ASSY, COND COIL (M15, M16)			
91	12646236	TUBING ASSY, COND COIL (M13, M14)			
101	1779101P	BOTTOM PAN ASSY (M13, M14, M15, M16, M17, M18)			
111	1779202P	LEFT SIDE PANEL (M15, M16)			
111	1779213P	LEFT SIDE PANEL (M13, M14, M17, M18)			
121	1779303P	ACCESS PANEL (M15, M16)			
121	1779304P	ACCESS PANEL (M13, M14, M17, M18)			
121	1779203P	RIGHT SIDE PANEL (M15, M16)			
121	1779206P	RIGHT SIDE PANEL (M13, M14, M17, M18)			
141	1779404S	TOP PANEL-LOUVERED (M13, M14, M15, M16, M17, M18)			
151	1779501	PARTITION PANEL (M15, M16)			
151	1779502	PARTITION PANEL (M13, M14, M17, M18)			
161	B1282543	7/8" SERVICE VALVE (M13, M14, M15, M16, M17, M18)			
171	20163801	3/8" SERVICE VALVE (M13, M14, M15, M16, M17, M18)			
181	B1219216	FILTER DRIER (M13, M14, M15, M16, M17, M18)			
191	B1249333	INLET GRILLE (M15, M16)			
191	B1259332	INLET GRILLE (M13, M14, M17, M18)			
201	B1243731	CRANKCASE HEATER (M13, M15, M17)			
201	B1243732	CRANKCASE HEATER (M14, M16, M18)			