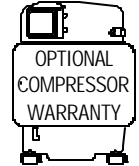


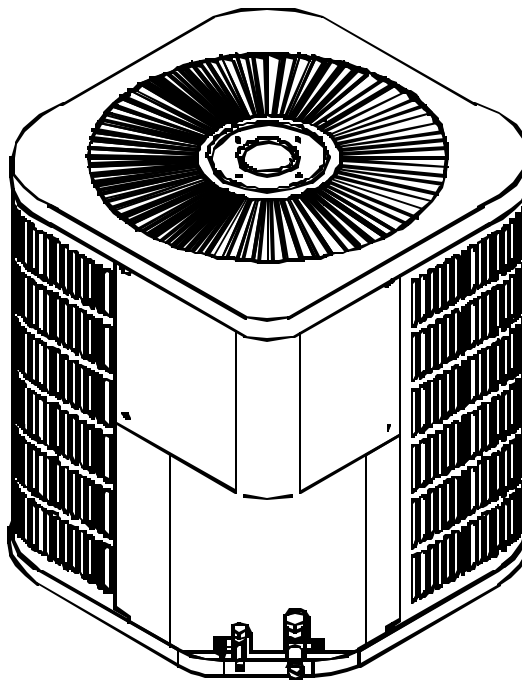


REPAIR PARTS

CLQ MODEL (14 SEER SERIES) CONDENSING UNITS



CLQ24-1
CLQ24-1A
CLQ30-1
CLQ30-1A
CLQ36-1
CLQ42-1
CLQ48-1
CLQ60-1



This manual is to be used by qualified technicians only.

Made in the USA by:
Goodman Manufacturing Company, L.P.
2550 North Loop West, Suite 400
Houston Texas 77092

RP - 284E
June 2004

This manual replaces RP-284C.
Copyright ©2004 Goodman Manufacturing Company, L.P.

Important Information

Goodman Manufacturing Company, L.P is not responsible for personal injury or property damage resulting from improper service. Review all service information before beginning repairs.

Warranty service must be performed by an authorized technician, using authorized factory parts. If service is required after the warranty expires, Goodman Manufacturing Company, L.P also recommends contacting an authorized technician and using authorized factory parts.

For assistance within the U.S.A. contact:

Consumer Affairs Department
Goodman Manufacturing Company, L.P
7401 Security Way
Houston, Texas 77040
877-254-4729-Telephone
713-863-2382-Facsimile

For assistance outside the U.S.A. contact:

International Division
Goodman Manufacturing Company, L.P
7401 Security Way
Houston, Texas 77040
713-861-2500-Telephone
713-863-2382-Facsimile

Index

Functional Parts List	5
Illustration and Parts	6 - 9

Views shown are for parts illustrations only, not servicing procedures.

Revision C: Corrects the description of the capacitor B94575300 from 40 MFD to 35 MFD, Changing Condensor Coils to Crated Cond. Service Coils.

Revision D: Updates compressor part numbers.

Revision E Updates compressor part number B9266371AS to B9266371BS.

Text Codes:

AR - As Required

NA - Not Available

NS - Not Shown

00000000 - See Note

QTY - Quantity Example (QTY 3) (If Quantity not shown, Quantity = 1)

M - Model Example (M1) (If M Code not shown, then part is used on all Models)

Expanded Model Nomenclature:

Example
M1 - Model#1
M2 - Model#2
M3 - Model#3

This page left blank intentionally.

Functional Parts

Part

No: Description:

B94576000	CAPACITOR, DUAL-SECTION, 25 MFD, 5 MFD, 370 VAC (M1)
B94575300	CAPACITOR, DUAL-SECTION, 35 MFD, 5 MFD, 370 VAC (M2, M3, M4)
B94577200	CAPACITOR, DUAL-SECTION, 45 MFD, 5 MFD, 370 VAC (M5)
B94577400	CAPACITOR, DUAL-SECTION, 50 MFD, 5 MFD, 370 VAC (M6)
B94575800	CAPACITOR, DUAL-SECTION, 55 MFD, 5 MFD, 440 VAC (M7)
B94578800	CAPACITOR, DUAL-SECTION, 60 MFD, 5 MFD, 440 VAC (M8)
B9266371BS	COMPRESSOR, H29B18UABCA (M1)
B9266833AS	COMPRESSOR, H29B24UABCA (M3) Old part# B926684A
ZR18K4PFV930	COMPRESSOR, ZR18K4-PFV-230 (M2) Old part# B9266387
ZR24K4PFV930	COMPRESSOR, ZR24K4-PFV-230 (M4) Old part# B9266388
ZR28K3PFV930	COMPRESSOR, ZR28K3-PFV-230 (M5) Old part# B9266369
ZR34K3PFV930	COMPRESSOR, ZR34K3-PFV-230 (M6) Old part# B9266391
ZR40K3PFV930	COMPRESSOR, ZR40K3-PFV-230 (M7) Old part# B9266389
ZR48K3PFV935	COMPRESSOR, ZR48K3-PFV-235 (M8) Old part# B9266379
B13400271	FAN MOTOR, 208/230-60 1 SPEED, 830 RPM, 1/4 HP CCW (M6, M7, M8)
B13400270	FAN MOTOR, 208/230-60 1 SPEED, 830 RPM, 1/4 HP CW (M5)
B13400348	FAN MOTOR, 208/230-60 1 SPEED, 840 RPM, 1/6 HP (M1, M2, M3, M4)
B1086764	FAN, 4 BLADE, 22° PITCH, 22" DIAMETER (M1, M2, M3, M4)
B1086769	FAN, 4 BLADE, 22° PITCH, 26" DIAMETER (M6, M7, M8)
B1086765	FAN, 4 BLADE, 28° PITCH, 22" DIAMETER (M5)
B1219225	FILTER DRIER (M7, M8)
B1219212	FILTER DRIER (M1, M2, M3, M4, M5, M6)
B1789890	FLOW CHECK PISTON KIT (M8)
12621-11	SERVICE CRATED CONDENSER COIL W/ FILTER DRIER (M5)
12621-10	SERVICE CRATED CONDENSER COIL W/ FILTER DRIER (M1, M2, M3, M4)
12621-14	SERVICE CRATED CONDENSER COIL W/ FILTER DRIER (M7)
12621-15	SERVICE CRATED CONDENSER COIL W/ FILTER DRIER (M8)
12621-13	SERVICE CRATED CONDENSER COIL W/ FILTER DRIER (M6)
B1141670	START ASSIST (M1, M3)

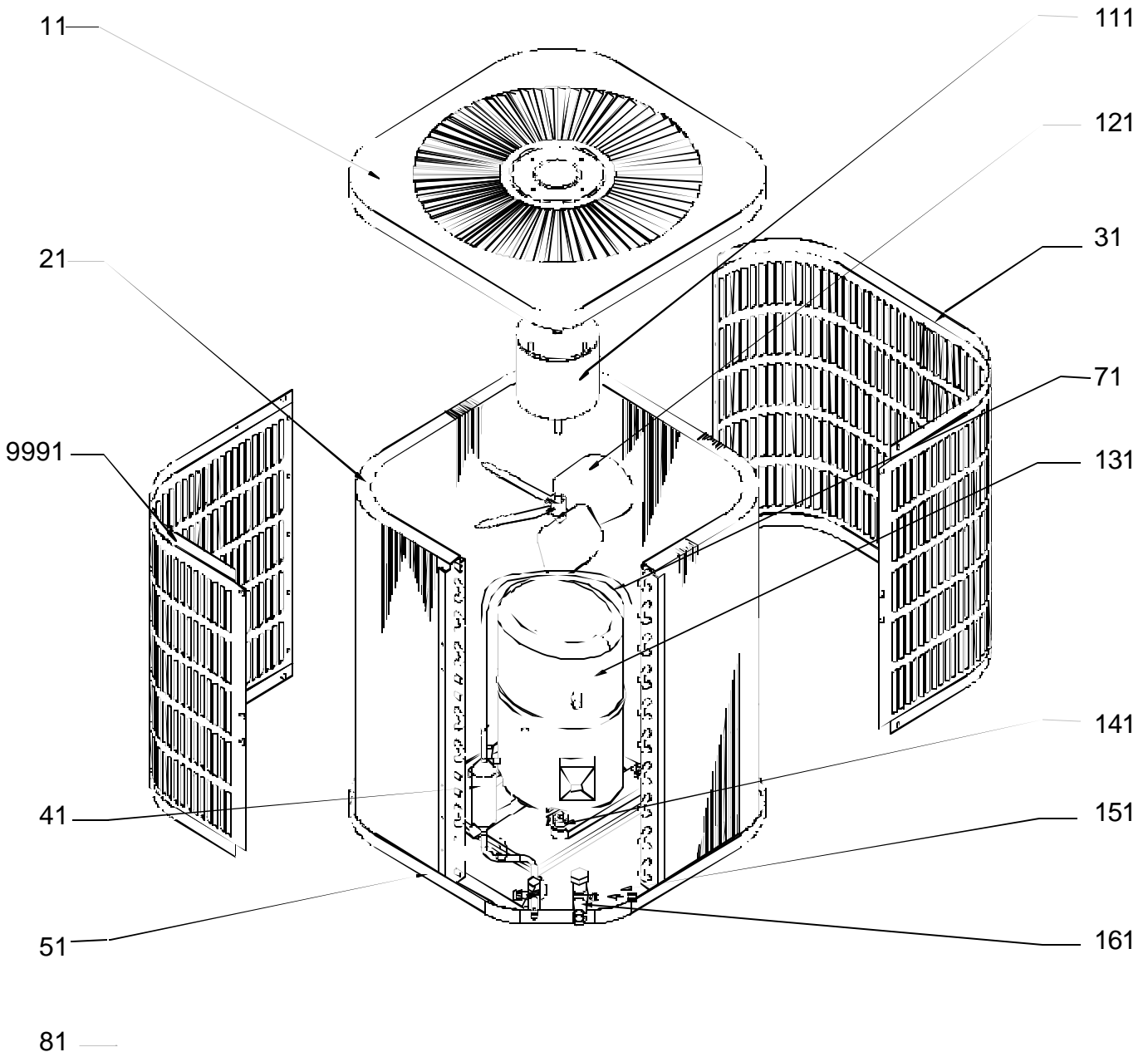
SPECIAL PARTS

IO-101	I & O MANUAL
PW-101W"10"	PRODUCT WARRANTY
RP-284	REPAIR PARTS MANUAL

Expanded Model Nomenclature

M1 - CLQ24-1
M2 - CLQ24-1A
M3 - CLQ30-1
M4 - CLQ30-1A
M5 - CLQ36-1
M6 - CLQ42-1
M7 - CLQ48-1
M8 - CLQ60-1

Components



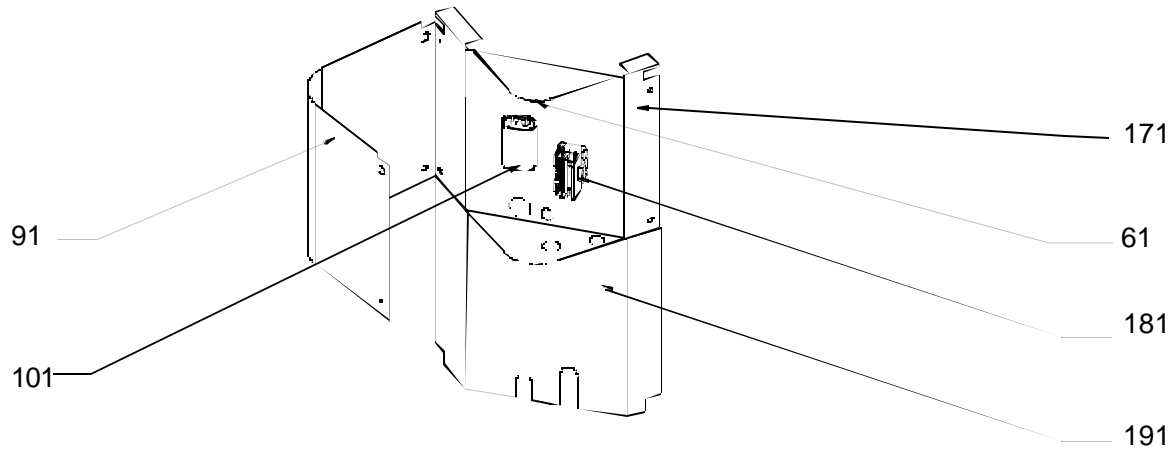
Components

Ref. Part No:	Ref. Part No:	Description:	Description:
<i>Image 1:</i>			
11	4279400P	TOP PANEL, (M6, M7, M8)	161 B1282567 SUCTION LINE BASE VALVE, 7/8" x 7/8" (M5, M6, M7, M8)
11	1779407P	TOP PANEL, (LOUVERED) (M1, M3)	9991 1259565P LOUVER PANEL, 30", RETURN SIDE (M1, M2, M3, M4)
11	1779412P	TOP PANEL, WITH PAINT (M2, M4, M5)	9991 4203411P LOUVER PANEL, 30", RETURN SIDE (M6)
21	12621-10	SERVICE CRATED CONDENSER COIL W/ FILTER DRIER (M1, M2, M3, M4)	9991 4203415P LOUVER PANEL, 35", RETURN SIDE (M7)
21	12621-11	SERVICE CRATED CONDENSER COIL W/ FILTER DRIER (M5)	9991 1259566P LOUVER PANEL, 37.5", RETURN SIDE (M5)
21	12621-13	SERVICE CRATED CONDENSER COIL W/ FILTER DRIER (M6)	9991 4203405P LOUVER PANEL, 40", RETURN SIDE (M8)
21	12621-14	SERVICE CRATED CONDENSER COIL W/ FILTER DRIER (M7)	NS B1789859 FLOW CHECK PISTON KIT (M1, M2)
21	12621-15	SERVICE CRATED CONDENSER COIL W/ FILTER DRIER (M8)	NS B1789868 FLOW CHECK PISTON KIT (M3, M4)
31	1259561P	LOUVER PANEL, 30", HAIRPIN SIDE (M1, M2, M3, M4)	NS B1789874 FLOW CHECK PISTON KIT (M5)
31	4203410P	LOUVER PANEL, 30", HAIRPIN SIDE (M6)	NS B1789880 FLOW CHECK PISTON KIT (M6)
31	4203414P	LOUVER PANEL, 35", HAIRPIN SIDE (M7)	NS B1789884 FLOW CHECK PISTON KIT (M7)
31	1259562P	LOUVER PANEL, 37.5", HAIRPIN SIDE (M5)	NS B1789890 FLOW CHECK PISTON KIT (M8)
31	4203404P	LOUVER PANEL, 40", HAIRPIN SIDE (M8)	
41	B1219212	FILTER DRIER (M1, M2, M3, M4, M5, M6)	
41	B1219225	FILTER DRIER (M7, M8)	
51	1787212P	BOTTOM / BASE PAN 29", (M1, M2, M3, M4, M5)	
51	4279100P	BOTTOM / BASE PAN, 35" (M6, M7, M8)	
71	B1488804	COMPRESSOR SOUND BLANKET (M1, M3)	
71	B1488807	COMPRESSOR SOUND BLANKET (M6)	
71	B1488810	COMPRESSOR SOUND BLANKET (M2, M4, M5)	
71	B1488811	COMPRESSOR SOUND BLANKET (M7, M8)	
81	B1282571	BASE VALVE, LIQUID LINE, 3/8" X 5/16"	
111	B13400271	FAN MOTOR, 208/230-60 1 SPEED, 830 RPM, 1/4 HP CCW (M6, M7, M8)	
111	B13400270	FAN MOTOR, 208/230-60 1 SPEED, 830 RPM, 1/4 HP CW (M5)	
111	B13400348	FAN MOTOR, 208/230-60 1 SPEED, 840 RPM, 1/6 HP (M1, M2, M3, M4)	
121	B1086764	FAN, 4 BLADE, 22° PITCH, 22" DIAMETER (M1, M2, M3, M4)	
121	B1086769	FAN, 4 BLADE, 22° PITCH, 26" DIAMETER (M6, M7, M8)	
121	B1086765	FAN, 4 BLADE, 28° PITCH, 22" DIAMETER (M5)	
131	B9266371BS	COMPRESSOR, H29B18UABCA (M1)	
131	B9266833AS	COMPRESSOR, H29B24UABCA (M3)	
131	ZR18K4PFV930	COMPRESSOR, ZR18K4-PFV-230 (M2) Old part# B9266684A	
131	ZR24K4PFV930	COMPRESSOR, ZR24K4-PFV-230 (M4) Old part# B9266387	
131	ZR28K3PFV930	COMPRESSOR, ZR28K3-PFV-230 (M5) Old part# B9266388	
131	ZR34K3PFV930	COMPRESSOR, ZR34K3-PFV-230 (M6) Old part# B9266369	
131	ZR40K3PFV930	COMPRESSOR, ZR40K3-PFV-230 (M7) Old part# B9266391	
131	ZR48K3PFV935	COMPRESSOR, ZR48K3-PFV-235 (M8) Old part# B9266389	
141	B1339530	GROMMET, COMPRESSOR (M1, M3)	
141	B1339533	GROMMET, COMPRESSOR (M2, M4, M5, M6, M7, M8)	
151	B1787000	CORE, VALVE	
161	B1282566	SUCTION LINE BASE VALVE, 3/4" x 3/4" (M1, M2, M3, M4)	

Expanded Model Nomenclature

M1 - CLQ24-1
M2 - CLQ24-1A
M3 - CLQ30-1
M4 - CLQ30-1A
M5 - CLQ36-1
M6 - CLQ42-1
M7 - CLQ48-1
M8 - CLQ60-1

Control



Control

Ref. Part

No: No:

Description:

Ref. Part

No: No:

Description:

Image 1:

61	B1141670	START ASSIST (M1, M3)
91	1787624P	CONTROL BOX COVER (M1, M2, M3, M4, M5)
91	4223701P	CONTROL BOX COVER (M6, M7, M8)
101	B94576000	CAPACITOR, DUAL-SECTION, 25 MFD, 5 MFD, 370 VAC (M1)
101	B94575300	CAPACITOR, DUAL-SECTION, 35 MFD, 5 MFD, 370 VAC (M2, M3, M4)
101	B94577200	CAPACITOR, DUAL-SECTION, 45 MFD, 5 MFD, 370 VAC (M5)
101	B94577400	CAPACITOR, DUAL-SECTION, 50 MFD, 5 MFD, 370 VAC (M6)
101	B94575800	CAPACITOR, DUAL-SECTION, 55 MFD, 5 MFD, 440 VAC (M7)
101	B94578800	CAPACITOR, DUAL-SECTION, 60 MFD, 5 MFD, 440 VAC (M8)
171	1787623	CONTROL BOX (M1, M2, M3, M4, M5)
171	4287600	CONTROL BOX (M6, M7, M8)
181	B1360321	CONTACTOR, 24 VOLT COIL, 125 LRA, 1 POLE, 25 AMP, (M1, M2, M3, M4, M5, M6)
181	B1360324	CONTACTOR, 24 VOLT COIL, 150 LRA, 1 POLE, 30 AMP (M7)
181	B1360305	CONTACTOR, 24 VOLT COIL, 200 LRA, 2 POLE, 40 AMP, (M8)
191	1787709P	ACCESS PANEL, 30" COND (M1, M2, M3, M4)
191	4223705P	ACCESS PANEL, 30" COND (M6)
191	4223707P	ACCESS PANEL, 35" COND (M7)
191	1787717P	ACCESS PANEL, 37.5" COND (M5)
191	4223700P	ACCESS PANEL, 40" COND (M8)

Expanded Model Nomenclature

M1 - CLQ24-1
M2 - CLQ24-1A
M3 - CLQ30-1
M4 - CLQ30-1A
M5 - CLQ36-1
M6 - CLQ42-1
M7 - CLQ48-1
M8 - CLQ60-1