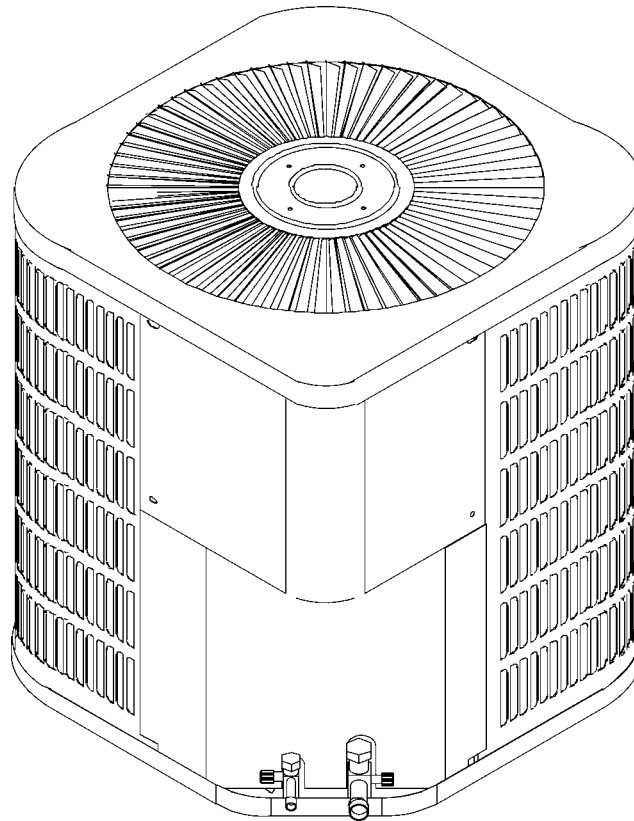




REPAIR PARTS

CLQ Condensing Units

CLQ24-1B
CLQ30-1B
CLQ36-1B
CLQ36-1C
CLQ42-1B
CLQ48-1B
CLQ60-1B



Made in the USA by:
Goodman Manufacturing Company, L.P.
2550 North Loop West, Suite 400
Houston Texas 77092

www.goodmanmfg.com

RP-316B
June 2006

Important Information

Index

Functional Parts List	3
Illustration and Parts	4 - 7

Views shown are for parts illustrations only, not servicing procedures

Rev. B: Added acorn nuts and top panel screws.

Text Codes:

AR - As Required

NA - Not Available

NS - Not Shown

00000000 - See Note

QTY - Quantity Example (QTY 3) (If Quantity not shown, Quantity = 1)

M - Model Example (M1) (If M Code not shown, then part is used on all Models)

Expanded Model Nomenclature:

Example
M1 - Model#1
M2 - Model#2
M3 - Model#3

Goodman Manufacturing Company, L.P. is not responsible for personal injury or property damage resulting from improper service. Review all service information before beginning repairs.

Warranty service must be performed by an authorized technician, using authorized factory parts. If service is required after the warranty expires, Goodman Manufacturing Company, L.P. also recommends contacting an authorized technician and using authorized factory parts.

Goodman Manufacturing Company, L.P. reserves the right to discontinue, or change at any time, specifications or designs without notice or without incurring obligations. Goodman® brand products are proudly made in the USA.

For assistance within the U.S.A. contact:

Consumer Affairs Department

Goodman Manufacturing Company, L.P.

7401 Security Way

Houston, Texas 77040

877-254-4729-Telephone

713-863-2382-Facsimile

For assistance outside the U.S.A. contact:

International Division

Goodman Manufacturing Company, L.P.

7401 Security Way

Houston, Texas 77040

713-861-2500-Telephone

713-863-2382-Facsimile

Functional Parts

Part No:

Description:

RP-316B REPAIR PARTS MANUAL (M1, M2, M3, M4, M5, M6)

Expanded Model Nomenclature

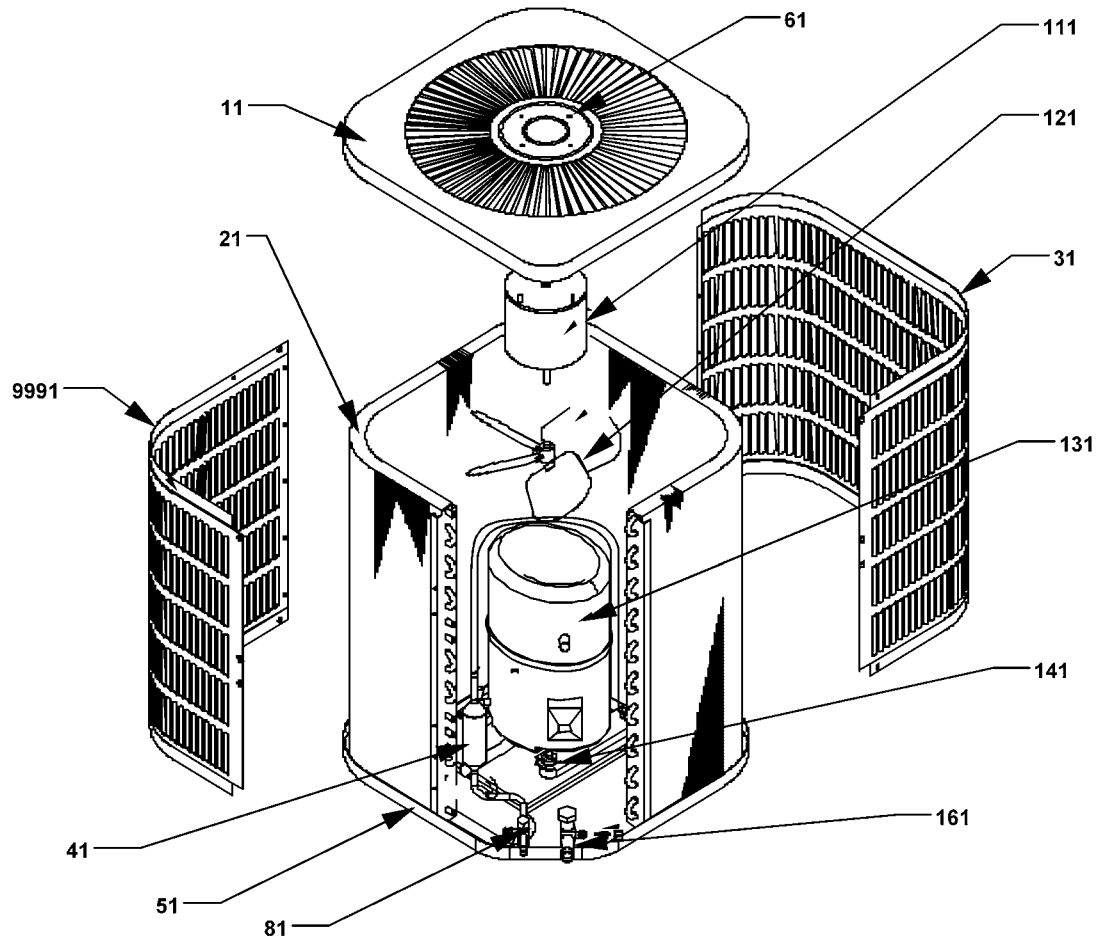
- | |
|---------------|
| M1 - CLQ24-1B |
| M2 - CLQ30-1B |
| M3 - CLQ36-1B |
| M4 - CLQ42-1B |
| M5 - CLQ48-1B |
| M6 - CLQ60-1B |
| M7 - CLQ36-1C |

B94575300	CAPACITOR, DUAL-SECTION, 35/5/370 (M1, M2)
B94577200	CAPACITOR, DUAL-SECTION, 45/5/370 (M3, M7)
B94577400	CAPACITOR, DUAL-SECTION, 50/5/370 (M4)
B94575800	CAPACITOR, DUAL-SECTION, 55/5/440 (M5)
B94578800	CAPACITOR, DUAL-SECTION, 60/5/440 (M6)
ZR18K4PFV930	COMPRESSOR, ZR18K4PFV230 (M1)
ZR24K4PFV930	COMPRESSOR, ZR24K4PFV230 (M2)
ZR28K3PFV930	COMPRESSOR, ZR28K3PFV230 (M3)
ZR28KAPFV830	COMPRESSOR, ZR28KAPFV130 (M7)
ZR34K3PFV930	COMPRESSOR, ZR34K3PFV230 (M4)
ZR40K3PFV930	COMPRESSOR, ZR40K3PFV230 (M5)
ZR48K3PFV935	COMPRESSOR, ZR48K3PFV235 (M6)
1262115	CRATED COND. SERVICE COIL W/DRIER (M6)
1262110	CRATED COND. SERVICE COIL W/DRIER (M1, M2)
1262111	CRATED COND. SERVICE COIL W/DRIER (M3, M7)
1262113	CRATED COND. SERVICE COIL W/DRIER (M4)
1262114	CRATED COND. SERVICE COIL W/DRIER (M5)
B13400271	FAN MOTOR, 208/230-60-1, 830 RPM, 1/4 HP, CCW (M4, M5, M6)
B13400270	FAN MOTOR, 208/230-60-1, 830 RPM, 1/4 HP, CW (M3, M7)
B13400348	FAN MOTOR, 208/230-60-1, 830 RPM, 1/6 HP (M1, M2)
B1086764	FAN, 4 BLADE 22°P, 22" DIA. (M1, M2)
B1086769	FAN, 4 BLADE 22°P, 26" DIA. (M4, M5, M6)
B1086765	FAN, 4 BLADE 28°P, 22" DIA. (M3, M7)
B1219212	FILTER DRIER (M1, M2, M3, M4, M7)
B1219225	FILTER DRIER (M5, M6)
B1789859	FLOW CHECK PISTON KIT (M1)
B1789890	FLOW CHECK PISTON KIT (M6)
B1789884	FLOW CHECK PISTON KIT (M5)
B1789880	FLOW CHECK PISTON KIT (M4)
B1789874	FLOW CHECK PISTON KIT (M3)
B1789868	FLOW CHECK PISTON KIT (M2)
B1789873	FLOW CHECK PISTON KIT (M7)

SPECIAL PARTS

IO-101J	INSTALLATION AND OPERATION MANUAL
B4400000	NAMEPLATE

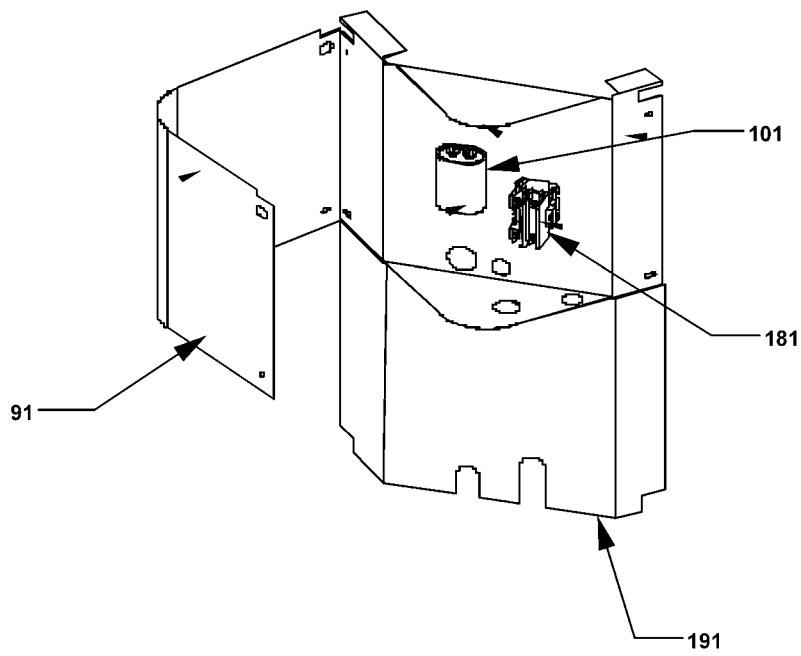
Chassis Assembly



Chassis Assembly

Ref. Part No:	Ref. Part No:	Description:	Description:
<i>Image 1:</i>			
11	1779412PDG	TOP PANEL, 29" (M1, M2, M3, M7)	NS B1376923 FAN GRILL GUARD (M1, M2, M3, M7)
11	4279400PDG	TOP PANEL, 35" (M4, M5, M6)	NS B1376925 FAN GRILL GUARD (M4, M5, M6)
21	1262110	CRATED COND. SERVICE COIL W/DRIER (M1, M2)	NS B1789859 FLOW CHECK PISTON KIT (M1)
21	1262111	CRATED COND. SERVICE COIL W/DRIER (M3, M7)	NS B1789868 FLOW CHECK PISTON KIT (M2)
21	1262113	CRATED COND. SERVICE COIL W/DRIER (M4)	NS B1789873 FLOW CHECK PISTON KIT (M7)
21	1262114	CRATED COND. SERVICE COIL W/DRIER (M5)	NS B1789874 FLOW CHECK PISTON KIT (M3)
21	1262115	CRATED COND. SERVICE COIL W/DRIER (M6)	NS B1789880 FLOW CHECK PISTON KIT (M4)
31	1259561PDG	LOUVERED PANEL, 30.0", HAIRPIN SIDE (M1, M2)	NS B1789884 FLOW CHECK PISTON KIT (M5)
31	4203410PDG	LOUVERED PANEL, 30.0", HAIRPIN SIDE (M4)	NS B1789890 FLOW CHECK PISTON KIT (M6)
31	4203414PDG	LOUVERED PANEL, 35.0", HAIRPIN SIDE (M5)	NS B1376927 MOTOR MOUNTING BRACKET (M4, M5, M6)
31	1259562PDG	LOUVERED PANEL, 37.5", HAIRPIN SIDE (M3, M7)	NS B1393530 SCREW, HWH, 10 X 1/2, A, YZD, SLOT, SR (QTY 8)
31	4203404PDG	LOUVERED PANEL, 40.0", HAIRPIN SIDE (M6)	NS B1787000 VALVE CORE
41	B1219212	FILTER DRIER (M1, M2, M3, M4, M7)	Expanded Model Nomenclature M1 - CLQ24-1B M2 - CLQ30-1B M3 - CLQ36-1B M4 - CLQ42-1B M5 - CLQ48-1B M6 - CLQ60-1B M7 - CLQ36-1C
41	B1219225	FILTER DRIER (M5, M6)	
51	1878212PDG	BOTTOM, BASEPAN, 29" (M1, M2, M3, M7)	
51	4279100PDG	BOTTOM, BASEPAN, 35" (M4, M5, M6)	
61	B1783803	ACORN NUT (QTY 4)	
81	B12825171	BASE VALVE, LIQUID LINE, 3/8" X 5/16"	
111	B13400271	FAN MOTOR, 208/230-60-1, 830 RPM, 1/4 HP, CCW (M4, M5, M6)	
111	B13400270	FAN MOTOR, 208/230-60-1, 830 RPM, 1/4 HP, CW (M3, M7)	
111	B13400348	FAN MOTOR, 208/230-60-1, 830 RPM, 1/6 HP (M1, M2)	
121	B1086764	FAN, 4 BLADE 22°P, 22" DIA. (M1, M2)	
121	B1086769	FAN, 4 BLADE 22°P, 26" DIA. (M4, M5, M6)	
121	B1086765	FAN, 4 BLADE 28°P, 22" DIA. (M3, M7)	
131	ZR18K4PFV930	COMPRESSOR, ZR18K4PFV230 (M1)	
131	ZR24K4PFV930	COMPRESSOR, ZR24K4PFV230 (M2)	
131	ZR28K3PFV930	COMPRESSOR, ZR28K3PFV230 (M3)	
131	ZR28KAPFV830	COMPRESSOR, ZR28KAPFV130 (M7)	
131	ZR34K3PFV930	COMPRESSOR, ZR34K3PFV230 (M4)	
131	ZR40K3PFV930	COMPRESSOR, ZR40K3PFV230 (M5)	
131	ZR48K3PFV935	COMPRESSOR, ZR48K3PFV235 (M6)	
141	B1339533	COMPRESSOR GROMMET	
161	B12825166	BASE VALVE, SUCTION LINE, 3/4" X 3/4" (M1, M2)	
161	B12825167	BASE VALVE, SUCTION LINE, 7/8" X 7/8" (M3, M4, M5, M6, M7)	
9991	1259565PDG	LOUVERED PANEL, 30.0", RETURN SIDE (M1, M2)	
9991	4203411PDG	LOUVERED PANEL, 30.0", RETURN SIDE (M4)	
9991	4203415PDG	LOUVERED PANEL, 35.0", RETURN SIDE (M5)	
9991	1259566PDG	LOUVERED PANEL, 37.5", RETURN SIDE (M3, M7)	
9991	4203405PDG	LOUVERED PANEL, 40.0", RETURN SIDE (M6)	
NS	0156R00000P	COMPRESSOR SOUND BLANKET (M7)	
NS	B1488807	COMPRESSOR SOUND BLANKET (M4)	
NS	B1488810	COMPRESSOR SOUND BLANKET (M1, M2, M3)	
NS	B1488811	COMPRESSOR SOUND BLANKET (M5, M6)	

Control Panel



Control Panel

Ref. Part No:	No:	Description:	Ref. Part No:	No:	Description:
<i>Image 1:</i>					
91	1787624PDG	CONTROL BOX COVER (M1, M2, M3, M7)			
91	4223701PDG	CONTROL BOX COVER (M4, M5, M6)			
101	B94575300	CAPACITOR, DUAL-SECTION, 35/5/370 (M1, M2)			
101	B94577200	CAPACITOR, DUAL-SECTION, 45/5/370 (M3, M7)			
101	B94577400	CAPACITOR, DUAL-SECTION, 50/5/370 (M4)			
101	B94575800	CAPACITOR, DUAL-SECTION, 55/5/440 (M5)			
101	B94578800	CAPACITOR, DUAL-SECTION, 60/5/440 (M6)			
181	B1360321	CONTACTOR, 25 AMP, 1 POLE (M1, M2, M3, M4, M7)			
181	B1360324	CONTACTOR, 30 AMP, 1 POLE (M5)			
181	B1360305	CONTACTOR, 40 AMP, 2 POLE (M6)			
191	1787709PDG	ACCESS PANEL, 30.0" (M1, M2)			
191	4223705PDG	ACCESS PANEL, 30.0" (M4)			
191	4223707PDG	ACCESS PANEL, 35.0" (M5)			
191	1787717PDG	ACCESS PANEL, 37.5" (M3, M7)			
191	4223700PDG	ACCESS PANEL, 40.0" (M6)			
NS	1284835	CAPACITOR STRAP			

Expanded Model Nomenclature

M1 - CLQ24-1B
M2 - CLQ30-1B
M3 - CLQ36-1B
M4 - CLQ42-1B
M5 - CLQ48-1B
M6 - CLQ60-1B
M7 - CLQ36-1C