

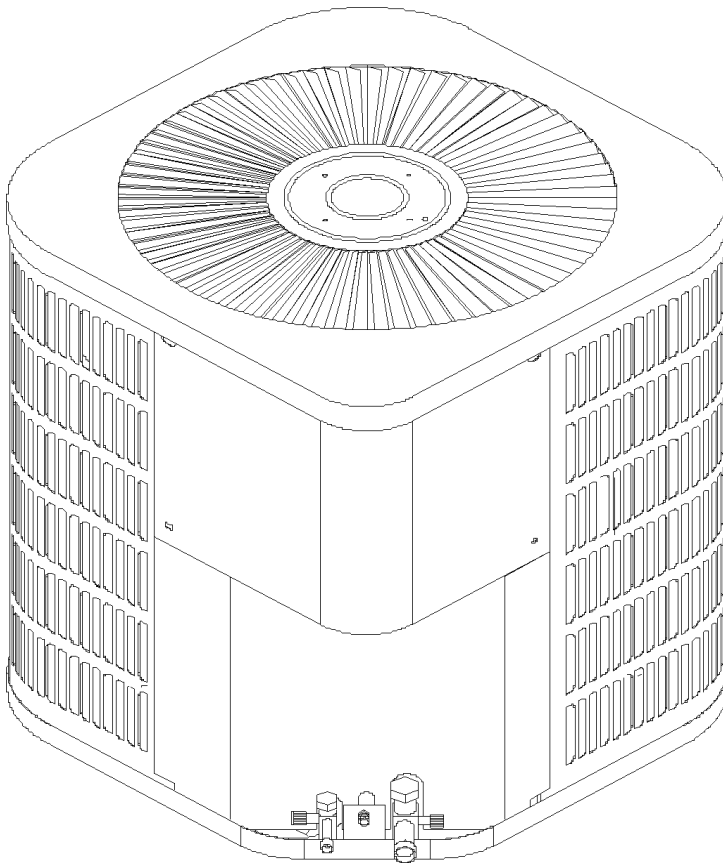


REPAIR PARTS

CLJ*C/D Remote 10 SEER Condensing Units Gray Painted Models

Models and manufacturing
numbers in this manual

CLJ18-1C
CLJ24-1C
CLJ24-1D
CLJ30-1C
CLJ30-1D
CLJ36-1C
CLJ42-1C
CLJ48-1C
CLJ60-1C
CLJ64-1C



Made in the USA by:
Goodman Manufacturing Company, L.P.
2550 North Loop West, Suite 400
Houston Texas 77092

www.goodmanmfg.com

RP-260B
Revision 0
October 2006

Important Information

Index

Functional Parts List	3
Illustration and Parts	4 - 7

Views shown are for parts illustrations only, not servicing procedures.

Rev. B: Changed 3/4 x 3/4 suction base valve part number from B12825166 to B12825167.

Text Codes:

AR - As Required

NA - Not Available

NS - Not Shown

00000000 - See Note

QTY - Quantity Example (QTY 3) (If Quantity not shown, Quantity = 1)

M - Model Example (M1) (If M Code not shown, then part is used on all Models)

Expanded Model Nomenclature:

Example	
M1 - Model#1	P _____
M2 - Model#2	P _____
M3 - Model#3	P _____

Goodman Manufacturing Company, L.P. is not responsible for personal injury or property damage resulting from improper service. Review all service information before beginning repairs.

Warranty service must be performed by an authorized technician, using authorized factory parts. If service is required after the warranty expires, Goodman Manufacturing Company, L.P. also recommends contacting an authorized technician and using authorized factory parts.

Goodman Manufacturing Company, L.P., reserves the right to discontinue, or change at any time, specifications or designs without notice or without incurring obligations. Goodman® brand products are made proudly in the USA.

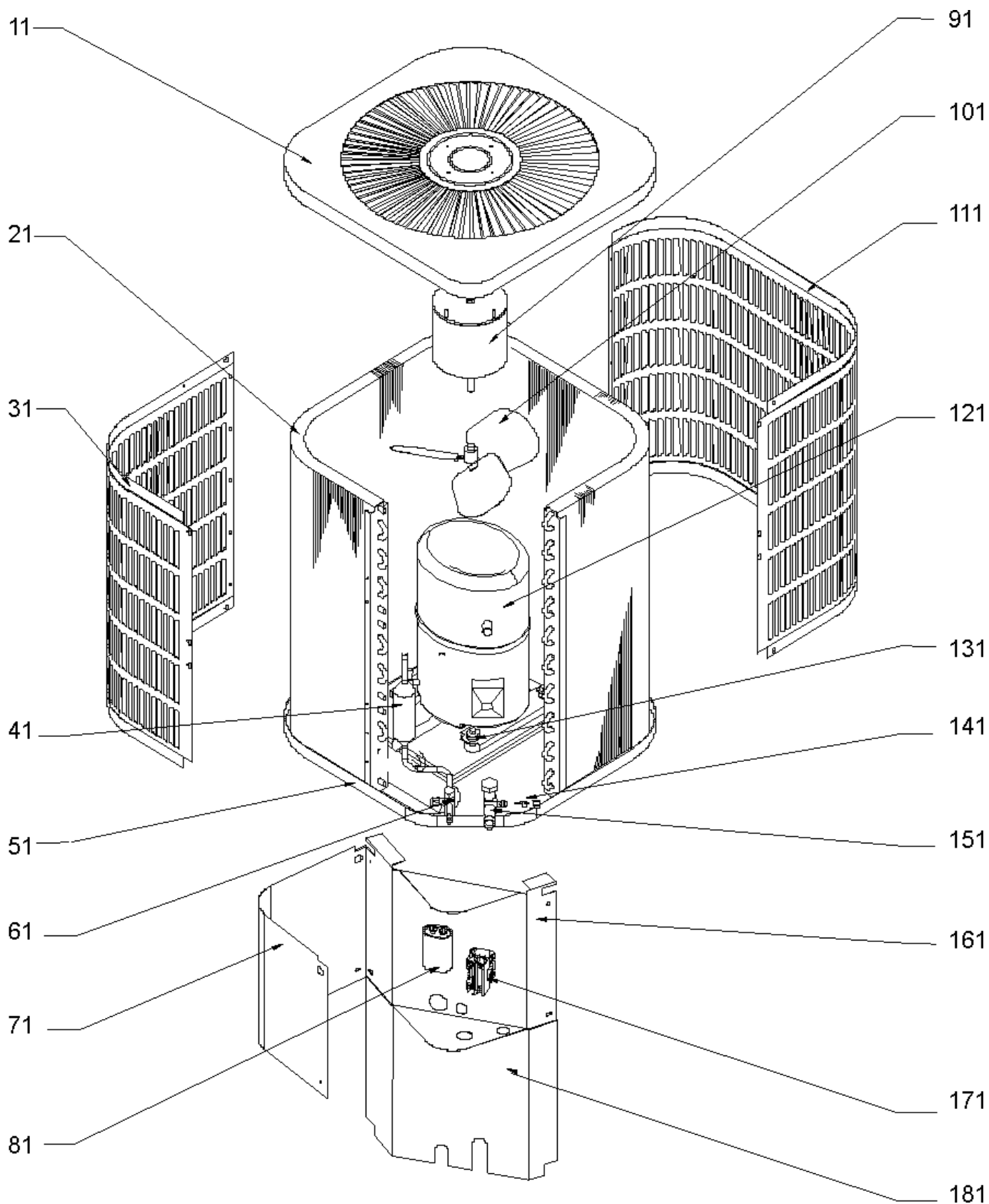
For assistance within the U.S.A. contact:
Consumer Affairs Department
Goodman Manufacturing Company, L.P.
7401 Security Way
Houston, Texas 77040
877-254-4729-Telephone
713-863-2382-Facsimile

For assistance outside the U.S.A. contact:
International Division
Goodman Manufacturing Company, L.P.
7401 Security Way
Houston, Texas 77040
713-861-2500-Telephone
713-863-2382-Facsimile

Functional Parts

Part No:	Description:	Part No:	Description:
B94576000S	CAPACITOR DUAL SECTION, 25/5/370 (M1, M2)	SPECIAL PARTS	
B94578700S	CAPACITOR DUAL SECTION, 30/5/370 (M3)	IO-101	MANUAL, INSTALLATION AND OPERATION
B94575300	CAPACITOR DUAL SECTION, 35/5/370 (M6)	RP-260B	MANUAL, PARTS
B94575500	CAPACITOR DUAL SECTION, 40/5/370 (M4, M5)	B260S8292	SPRAY PAINT, ARCHITECTURAL GRAY
B94577400S	CAPACITOR DUAL SECTION, 50/5/370 (M7)	Expanded Model Nomenclature	
B94577500	CAPACITOR DUAL SECTION, 60/5/370 (M8)	M1 - CLJ18-1C	
B94577600S	CAPACITOR DUAL SECTION, 80/5/370 (M9, M10)	M2 - CLJ24-1C	
CR16K6PFV920	COMPRESSOR, CR16K6-PFV-220 (M1)	M3 - CLJ24-1D	
CR18K6PFV920	COMPRESSOR, CR18K6-PFV-220 (M2)	M4 - CLJ30-1C	
CR19K7PFV930	COMPRESSOR, CR19K7-PFV-230 (M3)	M5 - CLJ30-1D	
CR24K7PFV930	COMPRESSOR, CR24K7-PFV-230 (M4, M5)	M6 - CLJ36-1C	
CR30K6PFV920	COMPRESSOR, CR30K6-PFV-223, OLD PN# B9266373 (M6)	M7 - CLJ42-1C	
CR34K6PFV920	COMPRESSOR, CR34K6-PFV-220 (M7)	M8 - CLJ48-1C	
ZR42K3PFV930	COMPRESSOR, ZR42K3-PFV-230, OLD PN# B9266352 (M8)	M9 - CLJ60-1C	
ZR54K3PFV930	COMPRESSOR, ZR54K3-PFV-230, OLD PN# B9266349 (M9)	M10 - CLJ64-1C	
ZR61K3PFV950	COMPRESSOR, ZR61K3-PFV-250, OLD PN# B9266393 (M10)		
1262115	CRATED COND. SERVICE COIL W/DRIER (M10)		
1262124	CRATED COND. SERVICE COIL W/DRIER (M5)		
1262109	CRATED COND. SERVICE COIL W/DRIER (M6)		
1262107	CRATED COND. SERVICE COIL W/DRIER (M4)		
1262105	CRATED COND. SERVICE COIL W/DRIER (M2, M3)		
1262112	CRATED COND. SERVICE COIL W/DRIER (M9)		
1262103	CRATED COND. SERVICE COIL W/DRIER (M1)		
1262110	CRATED COND. SERVICE COIL W/DRIER (M7, M8)		
B1086750S	FAN BLADE, 3 BLADE, 29°P, 22" DIA. (M9)		
B1086748S	FAN BLADE, 3 BLADE, 30°P, 22" DIA. (M6, M7)		
B1086771S	FAN BLADE, 3 BLADE, 32°P, 18" DIA. (M1, M2, M3)		
B1086764S	FAN BLADE, 4 BLADE, 22°P, 22" DIA. (M5)		
B1086770S	FAN BLADE, 4 BLADE, 22°P, 26" DIA. (M4, M8)		
B1086769	FAN BLADE, 4 BLADE, 22°P, 26" DIA.,CW (M10)		
B13400247	FAN MOTOR, 208/230-60-1, 1/4 HP, 1 SPD, 1075 RPM (M8, M9)		
B13400270	FAN MOTOR, 208/230-60-1, 1/4 HP, 1 SPD, 830 RPM (M6, M7)		
B13400271	FAN MOTOR, 208/230-60-1, 1/4 HP, 1 SPD, 830 RPM, CW (M10)		
B13400348	FAN MOTOR, 208/230-60-1, 1/6 HP, 1 SPD, 840 RPM (M4, M5)		
B13400252	FAN MOTOR, 208/230-60-1, 1/6 HP, 1 SPD, 1075 RPM (M1, M2, M3)		
B1219225	FILTER-DRIER (M8, M9, M10)		
B1219212	FILTER-DRIER (M1, M2, M3, M4, M5, M6, M7)		

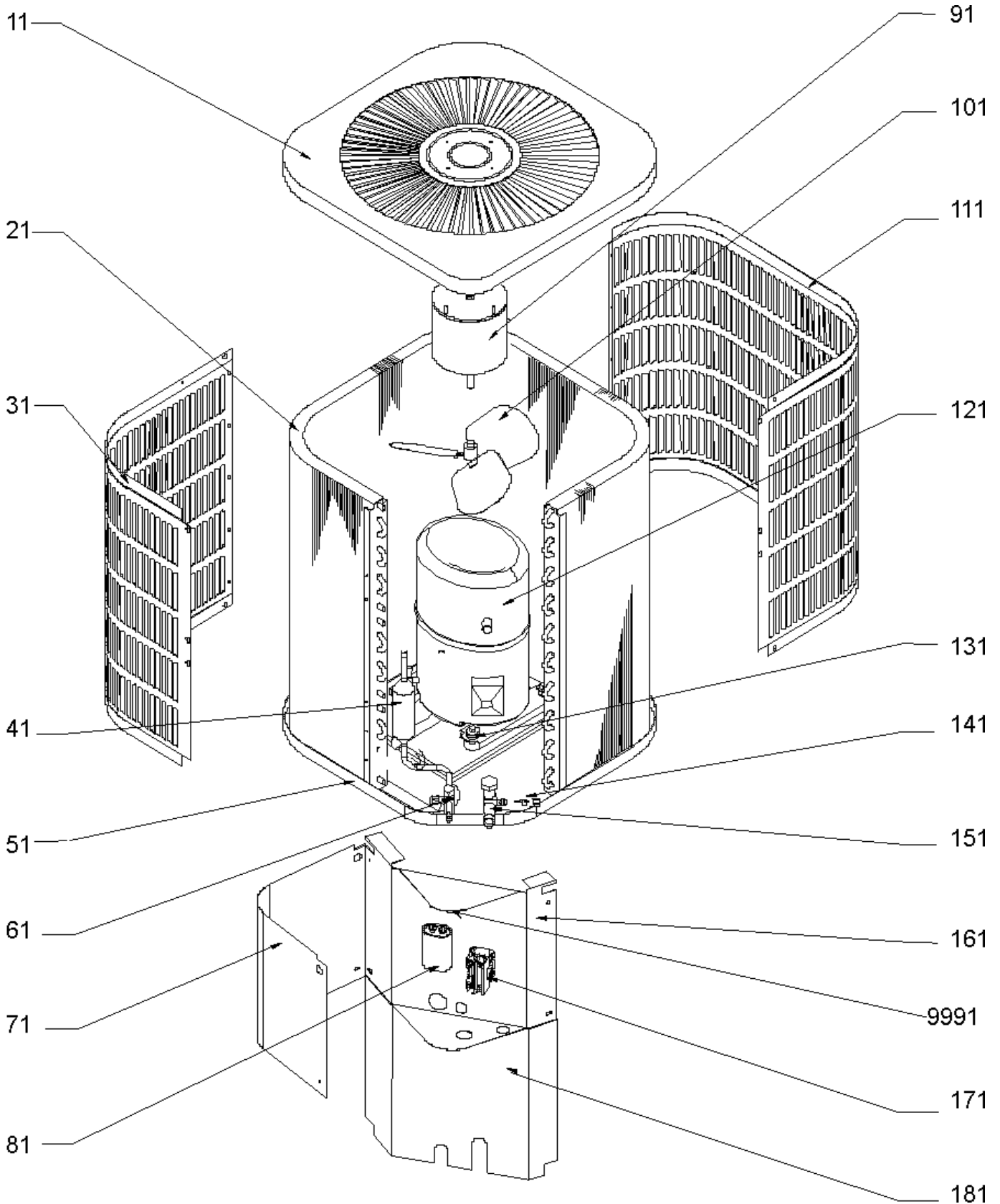
CLJ18 - 36-1C, CLJ24-1D & CLJ30-1D Chassis and Control Box



CLJ18 - 36-1C, CLJ24-1D & CLJ30-1D Chassis and Control Box

Ref. Part No:	No:	Description:	Ref. Part No:	No:	Description:
<i>Image 1:</i>			Expanded Model Nomenclature		
11	1779405PDG	TOP PANEL (LOUVERED) (M1, M2, M3)	M1	-	CLJ18-1C
11	1779406PDG	TOP PANEL (LOUVERED) (M4, M5)	M2	-	CLJ24-1C
11	1779415PDG	TOP PANEL (LOUVERED) (M6)	M3	-	CLJ24-1D
21	1262103	CRATED COND. SERVICE COIL W/DRIER (M1)	M4	-	CLJ30-1C
21	1262105	CRATED COND. SERVICE COIL W/DRIER (M2, M3)	M5	-	CLJ30-1D
21	1262107	CRATED COND. SERVICE COIL W/DRIER (M4)	M6	-	CLJ36-1C
21	1262109	CRATED COND. SERVICE COIL W/DRIER (M6)	M7	-	CLJ42-1C
21	1262124	CRATED COND. SERVICE COIL W/DRIER (M5)	M8	-	CLJ48-1C
31	1259551PDG	LOUVERED PANEL, 25.0", HAIRPIN SIDE (M1)	M9	-	CLJ60-1C
31	1259560PDG	LOUVERED PANEL, 25.0", HAIRPIN SIDE (M4)	M10	-	CLJ64-1C
31	1259568PDG	LOUVERED PANEL, 27.5", HAIRPIN SIDE (M5, M6)			
31	1259553PDG	LOUVERED PANEL, 30.0", HAIRPIN SIDE (M2, M3)			
41	B1219212	FILTER-DRIER (M1, M2, M3, M4, M5, M6)			
51	1787212PDG	BOTTOM PAN, LARGE (M4, M5, M6)			
51	1787211PDG	BOTTOM PAN, SMALL (M1, M2, M3)			
61	B12825171	BASE VALVE, LIQUID LINE (3/8" X 5/16") (M1, M2, M3, M4, M5, M6)			
71	1787624PDG	CONTROL BOX COVER (M1, M2, M3, M4, M5, M6)			
81	B94576000S	CAPACITOR DUAL SECTION, 25/5/370 (M1, M2)			
81	B94578700S	CAPACITOR DUAL SECTION, 30/5/370 (M3)			
81	B94575300	CAPACITOR DUAL SECTION, 35/5/370 (M6)			
81	B94575500	CAPACITOR DUAL SECTION, 40/5/370 (M4, M5)			
91	B13400270	FAN MOTOR, 208/230-60-1, 1/4 HP, 1 SPD, 830 RPM (M6)			
91	B13400348	FAN MOTOR, 208/230-60-1, 1/6 HP, 1 SPD, 840 RPM (M4, M5)			
91	B13400252	FAN MOTOR, 208/230-60-1, 1/6 HP, 1 SPD, 1075 RPM (M1, M2, M3)			
101	B1086748S	FAN BLADE, 3 BLADE, 30°P, 22" DIA. (M6)			
101	B1086771S	FAN BLADE, 3 BLADE, 32°P, 18" DIA. (M1, M2, M3)			
101	B1086764S	FAN BLADE, 4 BLADE, 22°P, 22" DIA. (M5)			
101	B1086770S	FAN BLADE, 4 BLADE, 22°P, 26" DIA. (M4)			
111	1259556PDG	LOUVERED PANEL, 25.0", RETURN SIDE (M1)			
111	1259564PDG	LOUVERED PANEL, 25.0", RETURN SIDE (M4)			
111	1259571PDG	LOUVERED PANEL, 27.5", RETURN SIDE (M5, M6)			
111	1259558PDG	LOUVERED PANEL, 30.0", RETURN SIDE (M2, M3)			
121	CR16K6PFV920	COMPRESSOR, CR16K6-PFV-220 (M1)			
121	CR18K6PFV920	COMPRESSOR, CR18K6-PFV-220 (M2)			
121	CR19K7PFV930	COMPRESSOR, CR19K7-PFV-230 (M3)			
121	CR24K7PFV930	COMPRESSOR, CR24K7-PFV-230 (M4, M5)			
121	CR30K6PFV920	COMPRESSOR, CR30K6-PFV-223, OLD PN# B9266373 (M6)			
131	B1339530	GROMMET, COMPRESSOR (M1, M2, M3, M4, M5, M6)			
141	B1787000	VALVE CORE (M1, M2, M3, M4, M5, M6)			
151	B12825167	SUCTION BASE VALVE, (3/4" X 3/4") (M1, M2, M3, M4, M5, M6)			
161	1787623	CONTROL BOX COVER (M1, M2, M3, M4, M5, M6)			
171	B1360321	CONTACTOR, 25 AMP, 1 POLE (M1, M2, M3, M4, M5, M6)			
181	1787707PDG	ACCESS PANEL (M1, M4)			
181	1787708PDG	ACCESS PANEL (M5, M6)			
181	1787709PDG	ACCESS PANEL (M2, M3)			
NS	1284835	CAPACITOR STRAP (M1, M2, M3, M4, M5, M6)			
NS	B260S8292	SPRAY PAINT, ARCHITECTURAL GRAY (M1, M2, M3, M4, M5, M6)			

CLJ42 - 64-1C Chassis and Control Box



CLJ42 - 64-1C Chassis and Control Box

Ref. Part No:	No:	Description:	Ref. Part No:	No:	Description:
<i>Image 1:</i>			Expanded Model Nomenclature		
11	4279400PDG	TOP PANEL (M10)	M1	-	CLJ18-1C
11	1779406PDG	TOP PANEL (LOUVERED) (M8, M9)	M2	-	CLJ24-1C
11	1779415PDG	TOP PANEL (LOUVERED) (M7)	M3	-	CLJ24-1D
21	1262110	CRATED COND. SERVICE COIL W/DRIER (M7, M8)	M4	-	CLJ30-1C
21	1262112	CRATED COND. SERVICE COIL W/DRIER (M9)	M5	-	CLJ30-1D
21	1262115	CRATED COND. SERVICE COIL W/DRIER (M10)	M6	-	CLJ36-1C
31	1259561PDG	LOUVERED PANEL, 30.0", HAIRPIN SIDE (M7, M8)	M7	-	CLJ42-1C
31	1259563PDG	LOUVERED PANEL, 40.0", HAIRPIN SIDE (M9)	M8	-	CLJ48-1C
31	4203404PDG	LOUVERED PANEL, 40.0", HAIRPIN SIDE (M10)	M9	-	CLJ60-1C
41	B1219212	FILTER-DRIER (M7)	M10	-	CLJ64-1C
41	B1219225	FILTER-DRIER (M8, M9, M10)			
51	1787212PDG	BOTTOM PAN, LARGE (M7, M8, M9)			
51	4279100PDG	BOTTOM PAN, LARGE, 35" (M10)			
61	B12825171	BASE VALVE, LIQUID LINE (3/8" X 5/16") (M7, M8, M9, M10)			
71	1787624PDG	CONTROL BOX COVER (M7, M8, M9)			
71	4223701PDG	CONTROL BOX COVER (M10)			
81	B94577400S	CAPACITOR DUAL SECTION, 50/5/370 (M7)			
81	B94577500	CAPACITOR DUAL SECTION, 60/5/370 (M8)			
81	B94577600S	CAPACITOR DUAL SECTION, 80/5/370 (M9, M10)			
91	B13400247	FAN MOTOR, 208/230-60-1, 1/4 HP, 1 SPD, 1075 RPM (M8, M9)			
91	B13400270	FAN MOTOR, 208/230-60-1, 1/4 HP, 1 SPD, 830 RPM (M7)			
91	B13400271	FAN MOTOR, 208/230-60-1, 1/4 HP, 1 SPD, 830 RPM, CW (M10)			
101	B1086750S	FAN BLADE, 3 BLADE, 29°P, 22" DIA. (M9)			
101	B1086748S	FAN BLADE, 3 BLADE, 30°P, 22" DIA. (M7)			
101	B1086770S	FAN BLADE, 4 BLADE, 22°P, 26" DIA., CCW (M8)			
101	B1086769	FAN BLADE, 4 BLADE, 22°P, 26" DIA., CW (M10)			
111	1259565PDG	LOUVERED PANEL, 30.0", RETURN SIDE (M7, M8)			
111	1259567PDG	LOUVERED PANEL, 40.0", RETURN SIDE (M9)			
111	4203405PDG	LOUVERED PANEL, 40.0", RETURN SIDE (M10)			
121	CR34K6PFV920	COMPRESSOR, CR34K6-PFV-220 (M7)			
121	ZR42K3PFV930	COMPRESSOR, ZR42K3-PFV-230, OLD PN# B9266352 (M8)			
121	ZR54K3PFV930	COMPRESSOR, ZR54K3-PFV-230, OLD PN# B9266349 (M9)			
121	ZR61K3PFV950	COMPRESSOR, ZR61K3-PFV-250, OLD PN# B9266393 (M10)			
131	B1339530	GROMMET, COMPRESSOR (M7)			
131	B1339533	GROMMET, COMPRESSOR (M8, M9, M10)			
141	B1787000	VALVE CORE (M7, M8, M9, M10)			
151	B12825167	SUCTION BASE VALVE, (3/4" X 3/4") (M7, M8, M9, M10)			
161	1787623	CONTROL BOX COVER (M7, M8, M9)			
161	4202006	CONTROL BOX COVER (M10)			
171	B1360321	CONTACTOR, 25 AMP, 1 POLE (M7)			
171	B1360324	CONTACTOR, 30 AMP, 1 POLE (M8)			
171	B1360305	CONTACTOR, 40 AMP, 1 POLE (M9, M10)			
181	1787709PDG	ACCESS PANEL, 30" (M7, M8)			
181	4223700PDG	ACCESS PANEL, 35" (M10)			
181	1787718PDG	ACCESS PANEL, 40" (M9)			
NS	1284835	CAPACITOR STRAP (M7, M8, M9, M10)			
NS	B1488806	COMPRESSOR SOUND BLANKET (M10)			
NS	B1376925	FAN GRILL GUARD, 26" (M10)			
NS	B1376927	MOTOR MOUNT BRACKET (M10)			
NS	B260S8292	SPRAY PAINT, ARCHITECTURAL GRAY (M7, M8, M9, M10)			