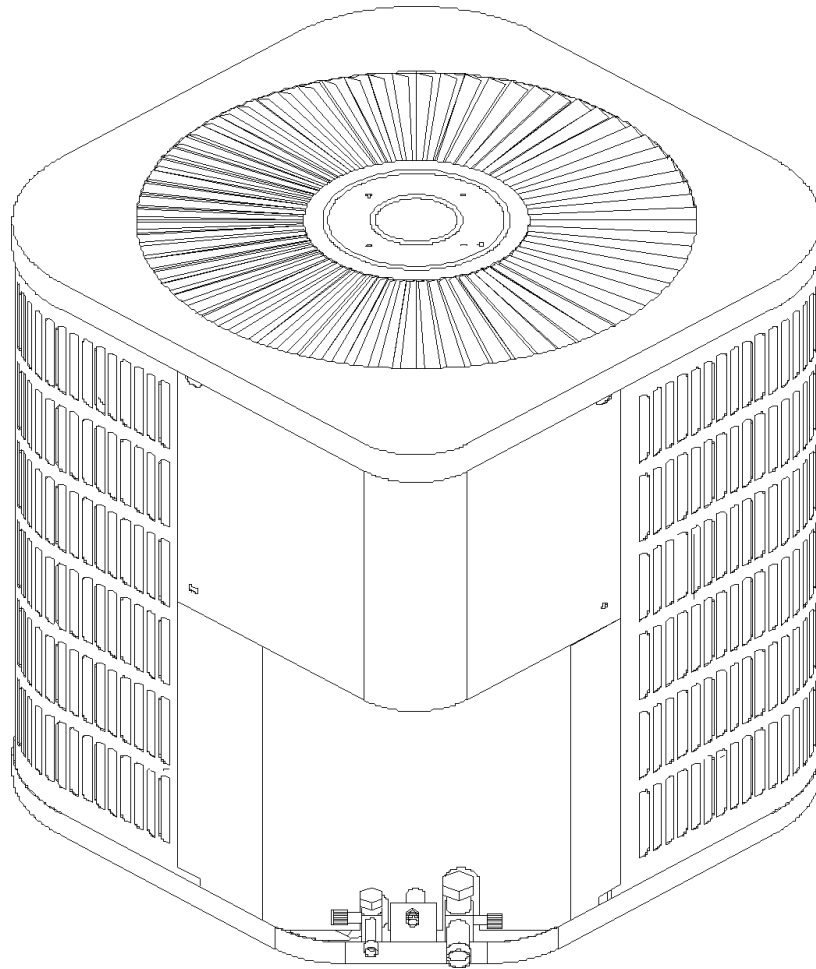


## CLJ Remote 12 SEER Condensing Units

CLJ18-1  
CLJ18-1A  
CLJ24-1  
CLJ24-1A  
CLJ30-1  
CLJ30-1A  
CLJ36-1  
CLJ36-1A  
CLJ42-1  
CLJ42-1A  
CLJ42-1B  
CLJ48-1  
CLJ48-1A  
CLJ60-1  
CLJ64-1



This manual is to be used by qualified technicians only.

This manual replaces RP279G.

© 2004, 2005, 2009 Goodman Manufacturing Company, L.P. ♦ 5151 San Felipe, Suite 500 ♦ Houston, TX 77056

# Important Information

---

## Index

|                              |       |
|------------------------------|-------|
| Functional Parts List .....  | 3     |
| Illustration and Parts ..... | 4 - 7 |

*Views shown are for parts illustrations only, not servicing procedures.*

Rev. H: Corrected suction valve parts. Changed B1282567 to B12825167 and B12825166  
2/18/09: Corrected B1086770S fan blade description. Was 4 Blade.

### Text Codes:

AR - As Required

NA - Not Available

NS - Not Shown

00000000 - See Note

QTY - Quantity Example (QTY 3) (If Quantity not shown, Quantity = 1)

M - Model Example (M1) (If M Code not shown, then part is used on all Models)

### Expanded Model Nomenclature:

|   |
|---|
| Example<br>M1 - Model#1<br>M2 - Model#2<br>M3 - Model#3 |
|---|

Goodman Manufacturing Company, L.P. is not responsible for personal injury or property damage resulting from improper service. Review all service information before beginning repairs.

Warranty service must be performed by an authorized technician, using authorized factory parts. If service is required after the warranty expires, Goodman Manufacturing Company, L.P. also recommends contacting an authorized technician and using authorized factory parts.

Goodman Manufacturing Company, L.P. reserves the right to discontinue, or change at any time, specifications or designs without notice or without incurring obligations.

For assistance within the U.S.A. contact:  
Consumer Affairs Department  
Goodman Manufacturing Company, L.P.  
7401 Security Way  
Houston, Texas 77040  
877-254-4729-Telephone  
713-863-2382-Facsimile

For assistance outside the U.S.A. contact:  
International Division  
Goodman Manufacturing Company, L.P.  
7401 Security Way  
Houston, Texas 77040  
713-861-2500-Telephone  
713-863-2382-Facsimile

# Functional Parts

## Part

### No: Description:

|                 |  |
|-----------------|--|
| CAP050250440RSS | CAPACITOR 5/25/440V [CONTROL BOX] (M1, M2)                 |
| CAP050300370RSS | CAPACITOR 5/30/370V [CONTROL BOX] (M3, M4)                 |
| CAP050350440RSS | CAPACITOR 5/35/440V [CONTROL BOX] (M5, M6, M7, M8)         |
| CAP050400370RSS | CAPACITOR 5/40/370V [CONTROL BOX] (M9)                     |
| CAP050450370RSS | CAPACITOR 5/45/370V [CONTROL BOX] (M10, M12)               |
| CAP050550440RTS | CAPACITOR 5/55/440V [CONTROL BOX] (M11)                    |
| CAP050600440RTS | CAPACITOR 5/60/440V [CONTROL BOX] (M13)                    |
| CAP050700370RTS | CAPACITOR 5/70/370V [CONTROL BOX] (M15)                    |
| CAP050800370RTS | CAPACITOR 5/80/370V [CONTROL BOX] (M14)                    |
| CR18K6PFV960    | COMPRESSOR 18000, 208/230/60/1 (M2, M4)                    |
| CR20K6PFV960    | COMPRESSOR 19600, 208/230/60/1 (M3)                        |
| CR24K7PFV970    | COMPRESSOR 24300, 208/230/60/1 (M6)                        |
| CR30K6PFV960    | COMPRESSOR 30000, 208/230/60/1 (M8)                        |
| CR35K6PFV960    | COMPRESSOR 35000, 208/230/60/1 (M7, M11)                   |
| CR42K6PFV960    | COMPRESSOR 41900, 380/420/60/1 (M12)                       |
| ZR42K3PFV930    | COMPRESSOR 42800, 208/230/60/1 (M13)                       |
| ZR54K3PFV930    | COMPRESSOR 55000, 208/230/60/1 (M14)                       |
| ZR61K3PFV950    | COMPRESSOR 62000, 208/230/60/1 (M15)                       |
|                 | Must use CAP050700370RTS Capacitor.                        |
| B9266837AS      | COMPRESSOR H25B14UABCA (M1)                                |
| B9266833AS      | COMPRESSOR H27B24QCBCA (707094-1501-00) (M5)               |
| 0131M00007PS    | COND MOTOR 1/4 HP, 1 SP, 6 PL (M12, M13, M14)              |
| B13400270S      | COND MOTOR 1/4 HP, 1 SP, 830 RPM, CCW (M8, M9, M10, M11)   |
| B13400271S      | COND MOTOR 1/4 HP, 1 SP, 830 RPM, CW (M15)                 |
| B13400252S      | COND MOTOR 1/6 HP, 1 SP, 8 PL (M1, M2, M4)                 |
| 0131M00009PS    | COND MOTOR 1/6 HP, 1 SP, 8 PL (M3, M5, M6, M7)             |
| CONT2P025024VS  | CONTACTOR 25 AMP, 1P, 24V (M1, M2, M3, M4, M5, M6, M7, M8) |
| CONT2P025024VS  | CONTACTOR 25 AMP, 2P, 24V (M9, M10, M11)                   |
| CONT2P030024VS  | CONTACTOR 30 AMP, 2P, 24V (M12, M13)                       |
| CONT2P040024VS  | CONTACTOR 40 AMP, 2P, 24V (M14, M15)                       |
| B1141670        | START ASSIST 305C20A CERA-MITE (M12)                       |

|          |                                       |
|----------|---------------------------------------|
| IO-101J  | INSTALLATION INSTRUCTIONS             |
| RP-279   | REPAIR PARTS MANUAL                   |
| B1610629 | SPRAY PAINT (HIGH GLOSS BAHAMA BEIGE) |
| B1610629 | SPRAY PAINT (HIGH GLOSS BAHAMA BEIGE) |

### Expanded Model Nomenclature

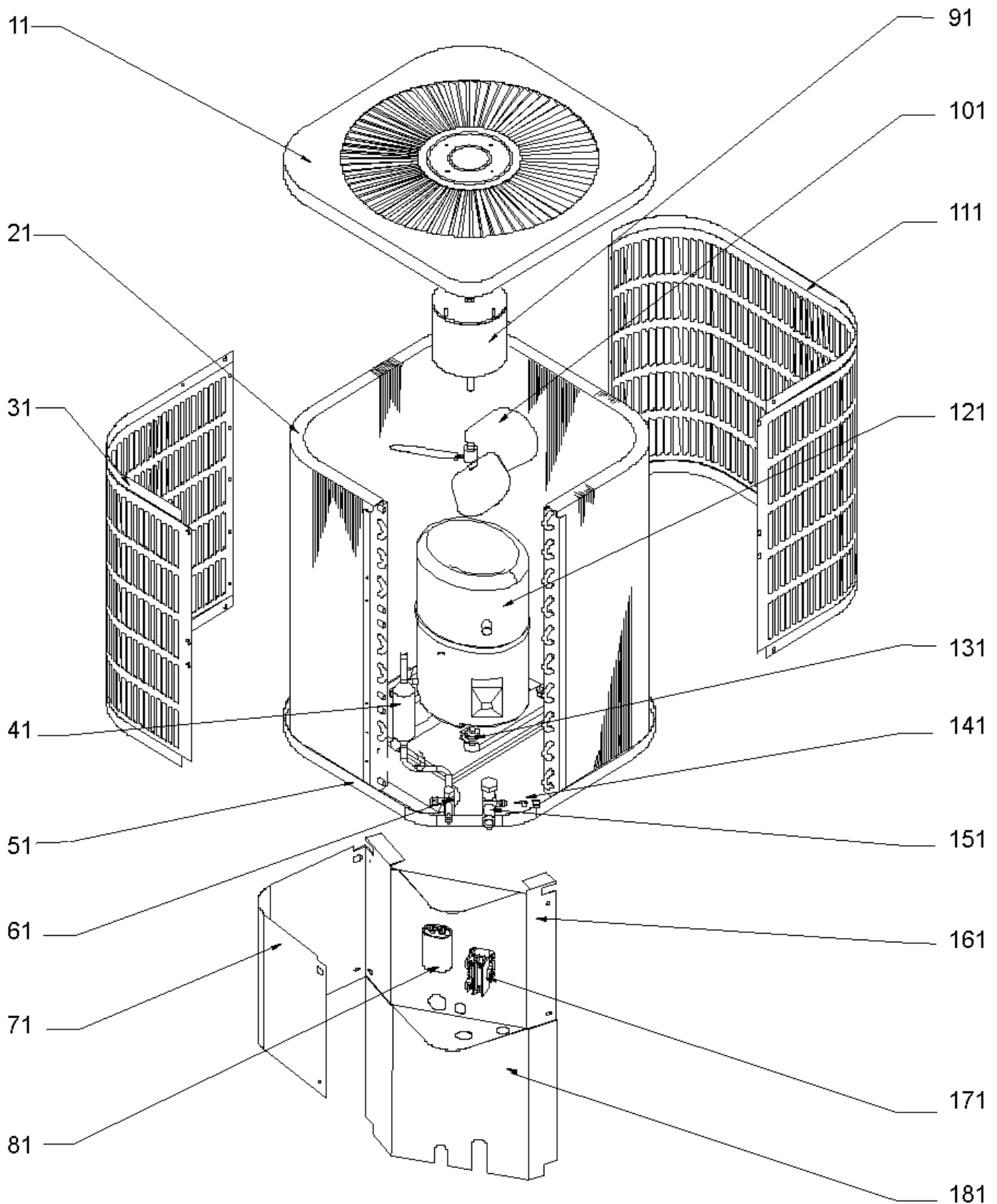
|                |
|----------------|
| M1 - CLJ18-1   |
| M2 - CLJ18-1A  |
| M3 - CLJ24-1   |
| M4 - CLJ24-1A  |
| M5 - CLJ30-1   |
| M6 - CLJ30-1A  |
| M7 - CLJ36-1   |
| M8 - CLJ36-1A  |
| M9 - CLJ42-1   |
| M10 - CLJ42-1A |
| M11 - CLJ42-1B |
| M12 - CLJ48-1  |
| M13 - CLJ48-1A |
| M14 - CLJ60-1  |
| M15 - CLJ64-1  |

## SPECIAL PARTS

RP-279H

[www.goodmanmfg.com](http://www.goodmanmfg.com)

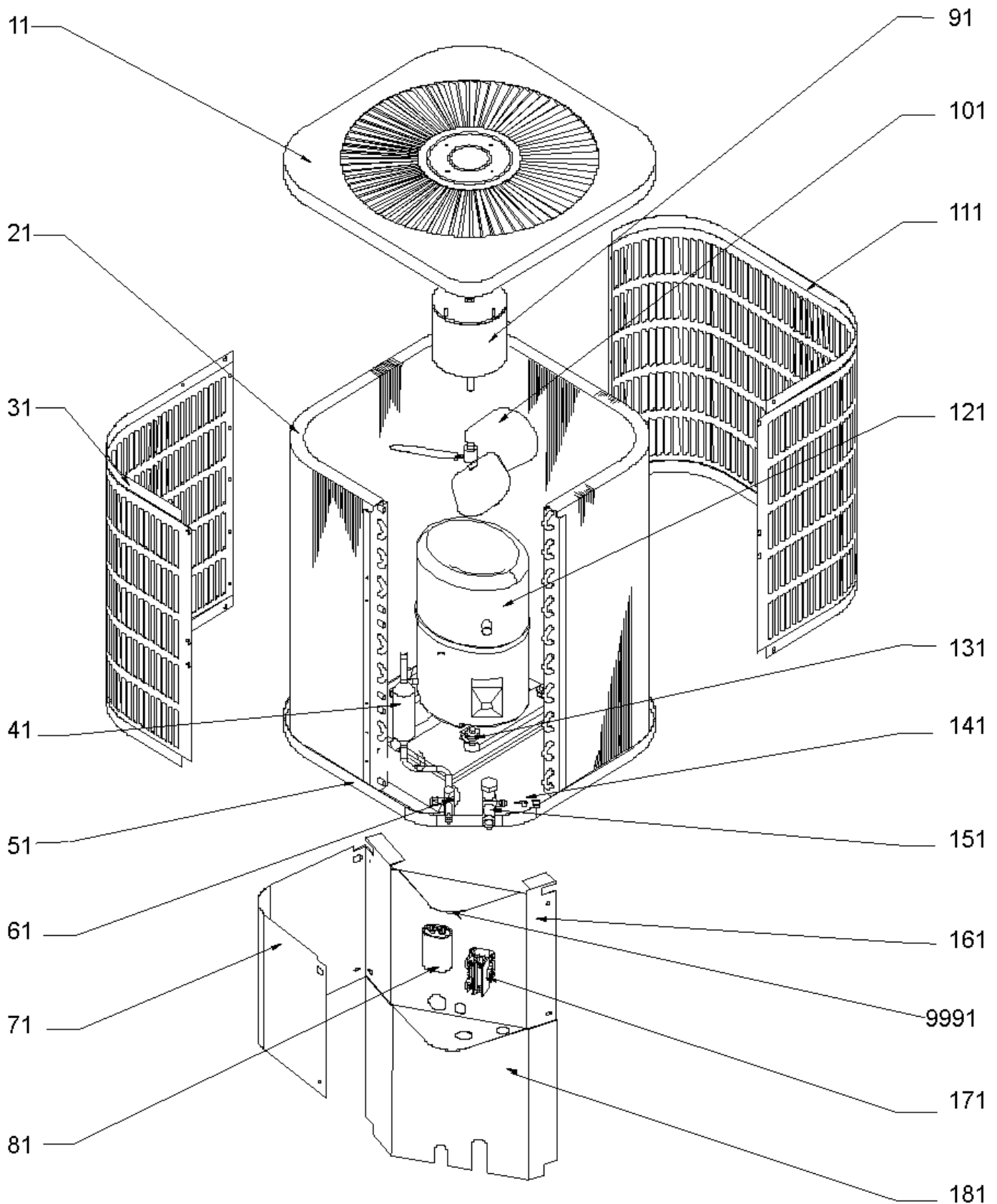
# CLJ18 - 36-1A Chassis and Control Box



# CLJ18 - 36-1A Chassis and Control Box

| Ref. Part No:   | No:             | Description:   | Ref. Part No:   | No:            | Description:   |              |               |              |               |              |               |              |               |              |                |                |               |                |               |               |
|-----------------|-----------------|--|---|----------------|--|--------------|---------------|--------------|---------------|--------------|---------------|--------------|---------------|--------------|----------------|----------------|---------------|----------------|---------------|---------------|
| <i>Image 1:</i> |                 |  | <i>Image 1:</i>   |                |  |              |               |              |               |              |               |              |               |              |                |                |               |                |               |               |
| 11              | 1779405P        | TOP PANEL (M1, M2, M3, M4)                                       | 161   | 1787623        | CONTROL BOX (M1, M2, M3, M4, M5, M6, M7, M8)               |              |               |              |               |              |               |              |               |              |                |                |               |                |               |               |
| 11              | 1779415P        | TOP PANEL (M5, M6, M7, M8)                                       | 171   | CONT2P025024VS | CONTACTOR 25 AMP, 1P, 24V (M1, M2, M3, M4, M5, M6, M7, M8) |              |               |              |               |              |               |              |               |              |                |                |               |                |               |               |
| 21              | 1262103         | TUBING ASSY, COND COIL (M1, M2)                                  | 181   | 1787707P       | ACCESS PANEL 25" (M1, M2, M5, M6)                          |              |               |              |               |              |               |              |               |              |                |                |               |                |               |               |
| 21              | 1262105         | TUBING ASSY, COND COIL (M3, M4)                                  | 181   | 1787708P       | ACCESS PANEL 27.5" (M7, M8)                                |              |               |              |               |              |               |              |               |              |                |                |               |                |               |               |
| 21              | 1262107         | TUBING ASSY, COND COIL W/FILTER DRIER (M5, M6)                   | 181   | 1787709P       | ACCESS PANEL 30" (M3, M4)                                  |              |               |              |               |              |               |              |               |              |                |                |               |                |               |               |
| 21              | 1262109         | TUBING ASSY, COND COIL W/FILTER DRIER (M7, M8)                   | NS  | 1284835        | CAPACITOR STRAP  |              |               |              |               |              |               |              |               |              |                |                |               |                |               |               |
| 31              | 1259551PDG      | LOUVERED PANEL, HAIRPIN SIDE (M1, M2)                            | NS  | B1488806S      | COMPRESSOR SOUND BLANKET                                   |              |               |              |               |              |               |              |               |              |                |                |               |                |               |               |
| 31              | 1259560PDG      | LOUVERED PANEL, HAIRPIN SIDE (M5, M6)                            | NS  | B1789855       | FLOW CHECK PISTON KIT .055 (M1)                            |              |               |              |               |              |               |              |               |              |                |                |               |                |               |               |
| 31              | 1259568PDG      | LOUVERED PANEL, HAIRPIN SIDE (M7, M8)                            | NS  | B1789855       | FLOW CHECK PISTON KIT .055 (M2)                            |              |               |              |               |              |               |              |               |              |                |                |               |                |               |               |
| 31              | 1259553PDG      | LOUVERED PANEL, HAIRPIN SIDE - OBSOLETE (M3, M4)                 | NS  | B1789857       | FLOW CHECK PISTON KIT .057 (M4)                            |              |               |              |               |              |               |              |               |              |                |                |               |                |               |               |
| 41              | B1219212        | SINGLE-FLOW FILTER DRIER, STEEL (M1, M2, M3, M4, M5, M6, M7, M8) | NS  | B1789859       | FLOW CHECK PISTON KIT .059 (M3)                            |              |               |              |               |              |               |              |               |              |                |                |               |                |               |               |
| 51              | 1787212P        | BOTTOM PAN (LARGE) (M5, M6, M7, M8)                              | NS  | B1789865       | FLOW CHECK PISTON KIT .065 (M5, M6)                        |              |               |              |               |              |               |              |               |              |                |                |               |                |               |               |
| 51              | 1787211P        | BOTTOM PAN (SMALL) (M1, M2, M3, M4)                              | NS  | B1789873       | FLOW CHECK PISTON KIT .073 (M7, M8)                        |              |               |              |               |              |               |              |               |              |                |                |               |                |               |               |
| 61              | B12825171       | 3/8" SERVICE VALVE   | NS  | B1610629       | SPRAY PAINT (HIGH GLOSS BAHAMA BEIGE)                      |              |               |              |               |              |               |              |               |              |                |                |               |                |               |               |
| 71              | 1787624P        | CONTROL BOX COVER (M1, M2, M3, M4, M5, M6, M7, M8)               | <b>Expanded Model Nomenclature</b>  |                |  |              |               |              |               |              |               |              |               |              |                |                |               |                |               |               |
| 81              | CAP050250440RSS | CAPACITOR 5/25/440V [CONTROL BOX] (M1, M2)                       | <table border="1"> <tr><td>M1 - CLJ18-1</td></tr> <tr><td>M2 - CLJ18-1A</td></tr> <tr><td>M3 - CLJ24-1</td></tr> <tr><td>M4 - CLJ24-1A</td></tr> <tr><td>M5 - CLJ30-1</td></tr> <tr><td>M6 - CLJ30-1A</td></tr> <tr><td>M7 - CLJ36-1</td></tr> <tr><td>M8 - CLJ36-1A</td></tr> <tr><td>M9 - CLJ42-1</td></tr> <tr><td>M10 - CLJ42-1A</td></tr> <tr><td>M11 - CLJ42-1B</td></tr> <tr><td>M12 - CLJ48-1</td></tr> <tr><td>M13 - CLJ48-1A</td></tr> <tr><td>M14 - CLJ60-1</td></tr> <tr><td>M15 - CLJ64-1</td></tr> </table> |                |  | M1 - CLJ18-1 | M2 - CLJ18-1A | M3 - CLJ24-1 | M4 - CLJ24-1A | M5 - CLJ30-1 | M6 - CLJ30-1A | M7 - CLJ36-1 | M8 - CLJ36-1A | M9 - CLJ42-1 | M10 - CLJ42-1A | M11 - CLJ42-1B | M12 - CLJ48-1 | M13 - CLJ48-1A | M14 - CLJ60-1 | M15 - CLJ64-1 |
| M1 - CLJ18-1    |                 |  |   |                |  |              |               |              |               |              |               |              |               |              |                |                |               |                |               |               |
| M2 - CLJ18-1A   |                 |  |   |                |  |              |               |              |               |              |               |              |               |              |                |                |               |                |               |               |
| M3 - CLJ24-1    |                 |  |   |                |  |              |               |              |               |              |               |              |               |              |                |                |               |                |               |               |
| M4 - CLJ24-1A   |                 |  |   |                |  |              |               |              |               |              |               |              |               |              |                |                |               |                |               |               |
| M5 - CLJ30-1    |                 |  |   |                |  |              |               |              |               |              |               |              |               |              |                |                |               |                |               |               |
| M6 - CLJ30-1A   |                 |  |   |                |  |              |               |              |               |              |               |              |               |              |                |                |               |                |               |               |
| M7 - CLJ36-1    |                 |  |   |                |  |              |               |              |               |              |               |              |               |              |                |                |               |                |               |               |
| M8 - CLJ36-1A   |                 |  |   |                |  |              |               |              |               |              |               |              |               |              |                |                |               |                |               |               |
| M9 - CLJ42-1    |                 |  |   |                |  |              |               |              |               |              |               |              |               |              |                |                |               |                |               |               |
| M10 - CLJ42-1A  |                 |  |   |                |  |              |               |              |               |              |               |              |               |              |                |                |               |                |               |               |
| M11 - CLJ42-1B  |                 |  |   |                |  |              |               |              |               |              |               |              |               |              |                |                |               |                |               |               |
| M12 - CLJ48-1   |                 |  |   |                |  |              |               |              |               |              |               |              |               |              |                |                |               |                |               |               |
| M13 - CLJ48-1A  |                 |  |   |                |  |              |               |              |               |              |               |              |               |              |                |                |               |                |               |               |
| M14 - CLJ60-1   |                 |  |   |                |  |              |               |              |               |              |               |              |               |              |                |                |               |                |               |               |
| M15 - CLJ64-1   |                 |  |   |                |  |              |               |              |               |              |               |              |               |              |                |                |               |                |               |               |
| 81              | CAP050300370RSS | CAPACITOR 5/30/370V [CONTROL BOX] (M3, M4)                       |   |                |  |              |               |              |               |              |               |              |               |              |                |                |               |                |               |               |
| 81              | CAP050350440RSS | CAPACITOR 5/35/440V [CONTROL BOX] (M5, M6, M7, M8)               |   |                |  |              |               |              |               |              |               |              |               |              |                |                |               |                |               |               |
| 91              | B13400270S      | COND MOTOR 1/4 HP, 1 SP, 830 RPM, CCW (M8)                       |   |                |  |              |               |              |               |              |               |              |               |              |                |                |               |                |               |               |
| 91              | 0131M00009PS    | COND MOTOR 1/6 HP, 1 SP, 8 PL (M3, M5, M6, M7)                   |   |                |  |              |               |              |               |              |               |              |               |              |                |                |               |                |               |               |
| 91              | B13400252S      | COND MOTOR 1/6 HP, 1 SP, 8 PL (M1, M2, M4)                       |   |                |  |              |               |              |               |              |               |              |               |              |                |                |               |                |               |               |
| 101             | B1086756S       | FAN BLADE 18", 3 BLADE, 32° (M1, M3)                             |   |                |  |              |               |              |               |              |               |              |               |              |                |                |               |                |               |               |
| 101             | B1086771S       | FAN BLADE 18", X-SERIES (M2, M4)                                 |   |                |  |              |               |              |               |              |               |              |               |              |                |                |               |                |               |               |
| 101             | B1086770S       | FAN BLADE 22", 3 BLADE, 19° (M6, M8)                             |   |                |  |              |               |              |               |              |               |              |               |              |                |                |               |                |               |               |
| 101             | B1086750S       | FAN BLADE 22", 3 BLADE, 24° (M5, M7)                             |   |                |  |              |               |              |               |              |               |              |               |              |                |                |               |                |               |               |
| 111             | 1259556PDG      | LOUVERED PANEL, RETURN SIDE (M1, M2)                             |   |                |  |              |               |              |               |              |               |              |               |              |                |                |               |                |               |               |
| 111             | 1259558P        | LOUVERED PANEL, RETURN SIDE (M3, M4)                             |   |                |  |              |               |              |               |              |               |              |               |              |                |                |               |                |               |               |
| 111             | 1259564P        | LOUVERED PANEL, RETURN SIDE (M5, M6)                             |   |                |  |              |               |              |               |              |               |              |               |              |                |                |               |                |               |               |
| 111             | 1259571P        | LOUVERED PANEL, RETURN SIDE (M7, M8)                             |   |                |  |              |               |              |               |              |               |              |               |              |                |                |               |                |               |               |
| 121             | CR18K6PFV960    | COMPRESSOR 18000, 208/230/60/1 (M2, M4)                          |   |                |  |              |               |              |               |              |               |              |               |              |                |                |               |                |               |               |
| 121             | CR20K6PFV960    | COMPRESSOR 19600, 208/230/60/1 (M3)                              |   |                |  |              |               |              |               |              |               |              |               |              |                |                |               |                |               |               |
| 121             | CR24K7PFV970    | COMPRESSOR 24300, 208/230/60/1 (M6)                              |   |                |  |              |               |              |               |              |               |              |               |              |                |                |               |                |               |               |
| 121             | CR30K6PFV960    | COMPRESSOR 30000, 208/230/60/1 (M8)                              |   |                |  |              |               |              |               |              |               |              |               |              |                |                |               |                |               |               |
| 121             | CR35K6PFV960    | COMPRESSOR 35000, 208/230/60/1 (M7)                              |   |                |  |              |               |              |               |              |               |              |               |              |                |                |               |                |               |               |
| 121             | B9266837AS      | COMPRESSOR H25B14UABCA (M1)                                      |   |                |  |              |               |              |               |              |               |              |               |              |                |                |               |                |               |               |
| 121             | B9266833AS      | COMPRESSOR H27B24QCBCA (707094-1501-00) (M5)                     |   |                |  |              |               |              |               |              |               |              |               |              |                |                |               |                |               |               |
| 131             | B1339530        | COMPRESSOR GROMMET (M1, M2, M3, M4, M5, M6, M7, M8)              |   |                |  |              |               |              |               |              |               |              |               |              |                |                |               |                |               |               |
| 141             | B1787000        | VALVE CORE (M1, M2, M3, M4, M5, M6, M7, M8)                      |   |                |  |              |               |              |               |              |               |              |               |              |                |                |               |                |               |               |
| 151             | B1282566        | 3/4" SERVICE VALVE (M1, M2, M3, M4, M5, M6, M7, M8)              |   |                |  |              |               |              |               |              |               |              |               |              |                |                |               |                |               |               |

# CLJ42 - 64 Chassis and Control Box



# CLJ42 - 64 Chassis and Control Box

| Ref. Part No:                       | No:             | Description:   | Ref. Part No:   | No:            | Description:  |              |               |              |               |              |               |              |               |              |                |                |               |                |               |               |
|-------------------------------------|-----------------|--|---|----------------|---|--------------|---------------|--------------|---------------|--------------|---------------|--------------|---------------|--------------|----------------|----------------|---------------|----------------|---------------|---------------|
| <i>Image 1:</i>                     |                 |  | <i>Image 1:</i>   |                |   |              |               |              |               |              |               |              |               |              |                |                |               |                |               |               |
| 11                                  | 1779415P        | TOP PANEL (M9, M10, M11, M12, M13, M14)                  | 151   | B12825167      | 7/8" SERVICE VALVE (M9, M10, M11, M12, M13, M14, M15) |              |               |              |               |              |               |              |               |              |                |                |               |                |               |               |
| 11                                  | 4279400P        | TOP PANEL (LOUVERED) (M15)                               | 161   | 1787623        | CONTROL BOX (M9, M10, M11, M12, M13, M14)             |              |               |              |               |              |               |              |               |              |                |                |               |                |               |               |
| 21                                  | 1262110         | TUBING ASSY, COND COIL (M9, M10, M11, M12, M13)          | 161   | 4202006        | CONTROL BOX (M15)                                     |              |               |              |               |              |               |              |               |              |                |                |               |                |               |               |
| 21                                  | 1262112         | TUBING ASSY, COND COIL W/FILTER DRIER (M14)              | 171   | CONT2P025024VS | CONTACTOR 25 AMP, 2P, 24V (M9, M10, M11)              |              |               |              |               |              |               |              |               |              |                |                |               |                |               |               |
| 21                                  | 1262115         | TUBING ASSY, COND COIL W/FILTER DRIER (M15)              | 171   | CONT2P030024VS | CONTACTOR 30 AMP, 2P, 24V (M12, M13)                  |              |               |              |               |              |               |              |               |              |                |                |               |                |               |               |
| 31                                  | 1259561P        | LOUVERED PANEL, HAIRPIN SIDE (M9, M10, M11, M12, M13)    | 171   | CONT2P040024VS | CONTACTOR 40 AMP, 2P, 24V (M14, M15)                  |              |               |              |               |              |               |              |               |              |                |                |               |                |               |               |
| 31                                  | 1259563P        | LOUVERED PANEL, HAIRPIN SIDE (M14, M15)                  | 181   | 1787709P       | ACCESS PANEL 30" (M9, M10, M11, M12, M13)             |              |               |              |               |              |               |              |               |              |                |                |               |                |               |               |
| 41                                  | B1219212        | SINGLE-FLOW FILTER DRIER, STEEL (M9, M10, M11)           | 181   | 1787718P       | ACCESS PANEL 40" (M14, M15)                           |              |               |              |               |              |               |              |               |              |                |                |               |                |               |               |
| 41                                  | B1219225        | SINGLE-FLOW FILTER DRIER, STEEL (M12, M13, M14, M15)     | 9991  | B1141670       | START ASSIST 305C20A CERA-MITE (M12)                  |              |               |              |               |              |               |              |               |              |                |                |               |                |               |               |
| 51                                  | 4279100PDGS     | BASE PAN 35" (M15)                                       | NS  | 1284835        | CAPACITOR STRAP                                       |              |               |              |               |              |               |              |               |              |                |                |               |                |               |               |
| 51                                  | 1787212P        | BOTTOM PAN (LARGE) (M9, M10, M11, M12, M13, M14)         | NS  | B1488806S      | COMPRESSOR SOUND BLANKET                              |              |               |              |               |              |               |              |               |              |                |                |               |                |               |               |
| 61                                  | B12825171       | 3/8" SERVICE VALVE                                       | NS  | B1376925       | FAN GRILL GUARD 26" (M15)                             |              |               |              |               |              |               |              |               |              |                |                |               |                |               |               |
| 71                                  | 1787624P        | CONTROL BOX COVER (M9, M10, M11, M12, M13, M14)          | NS  | B1789878       | FLOW CHECK PISTON KIT .078 (M9, M10, M11)             |              |               |              |               |              |               |              |               |              |                |                |               |                |               |               |
| 81                                  | CAP050400370RSS | CAPACITOR 5/40/370V [CONTROL BOX] (M9)                   | NS  | B1789882       | FLOW CHECK PISTON KIT .082 (M13)                      |              |               |              |               |              |               |              |               |              |                |                |               |                |               |               |
| 81                                  | CAP050450370RSS | CAPACITOR 5/45/370V [CONTROL BOX] (M10, M12)             | NS  | B1789884       | FLOW CHECK PISTON KIT .084 (M12)                      |              |               |              |               |              |               |              |               |              |                |                |               |                |               |               |
| 81                                  | CAP050550440RTS | CAPACITOR 5/55/440V [CONTROL BOX] (M11)                  | NS  | B1789893       | FLOW CHECK PISTON KIT .093 (M14)                      |              |               |              |               |              |               |              |               |              |                |                |               |                |               |               |
| 81                                  | CAP050600440RTS | CAPACITOR 5/60/440V [CONTROL BOX] (M13)                  | NS  | B1789898       | FLOW CHECK PISTON KIT .098 (M15)                      |              |               |              |               |              |               |              |               |              |                |                |               |                |               |               |
| 81                                  | CAP050700370RTS | CAPACITOR 5/70/370V [CONTROL BOX] (M15)                  | NS  | B1376927       | MOTOR MOUNTING BRACKET (M15)                          |              |               |              |               |              |               |              |               |              |                |                |               |                |               |               |
| 81                                  | CAP050800370RTS | CAPACITOR 5/80/370V [CONTROL BOX] (M14)                  | NS  | B1610629       | SPRAY PAINT (HIGH GLOSS BAHAMA BEIGE)                 |              |               |              |               |              |               |              |               |              |                |                |               |                |               |               |
| 91                                  | 0131M00007PS    | COND MOTOR 1/4 HP, 1 SP, 6 PL (M12, M13, M14)            | <b>Expanded Model Nomenclature</b>  |                |   |              |               |              |               |              |               |              |               |              |                |                |               |                |               |               |
| 91                                  | B13400270S      | COND MOTOR 1/4 HP, 1 SP, 830 RPM, CCW (M9, M10, M11)     | <table border="1"> <tr><td>M1 - CLJ18-1</td></tr> <tr><td>M2 - CLJ18-1A</td></tr> <tr><td>M3 - CLJ24-1</td></tr> <tr><td>M4 - CLJ24-1A</td></tr> <tr><td>M5 - CLJ30-1</td></tr> <tr><td>M6 - CLJ30-1A</td></tr> <tr><td>M7 - CLJ36-1</td></tr> <tr><td>M8 - CLJ36-1A</td></tr> <tr><td>M9 - CLJ42-1</td></tr> <tr><td>M10 - CLJ42-1A</td></tr> <tr><td>M11 - CLJ42-1B</td></tr> <tr><td>M12 - CLJ48-1</td></tr> <tr><td>M13 - CLJ48-1A</td></tr> <tr><td>M14 - CLJ60-1</td></tr> <tr><td>M15 - CLJ64-1</td></tr> </table> |                |   | M1 - CLJ18-1 | M2 - CLJ18-1A | M3 - CLJ24-1 | M4 - CLJ24-1A | M5 - CLJ30-1 | M6 - CLJ30-1A | M7 - CLJ36-1 | M8 - CLJ36-1A | M9 - CLJ42-1 | M10 - CLJ42-1A | M11 - CLJ42-1B | M12 - CLJ48-1 | M13 - CLJ48-1A | M14 - CLJ60-1 | M15 - CLJ64-1 |
| M1 - CLJ18-1                        |                 |  |   |                |   |              |               |              |               |              |               |              |               |              |                |                |               |                |               |               |
| M2 - CLJ18-1A                       |                 |  |   |                |   |              |               |              |               |              |               |              |               |              |                |                |               |                |               |               |
| M3 - CLJ24-1                        |                 |  |   |                |   |              |               |              |               |              |               |              |               |              |                |                |               |                |               |               |
| M4 - CLJ24-1A                       |                 |  |   |                |   |              |               |              |               |              |               |              |               |              |                |                |               |                |               |               |
| M5 - CLJ30-1                        |                 |  |   |                |   |              |               |              |               |              |               |              |               |              |                |                |               |                |               |               |
| M6 - CLJ30-1A                       |                 |  |   |                |   |              |               |              |               |              |               |              |               |              |                |                |               |                |               |               |
| M7 - CLJ36-1                        |                 |  |   |                |   |              |               |              |               |              |               |              |               |              |                |                |               |                |               |               |
| M8 - CLJ36-1A                       |                 |  |   |                |   |              |               |              |               |              |               |              |               |              |                |                |               |                |               |               |
| M9 - CLJ42-1                        |                 |  |   |                |   |              |               |              |               |              |               |              |               |              |                |                |               |                |               |               |
| M10 - CLJ42-1A                      |                 |  |   |                |   |              |               |              |               |              |               |              |               |              |                |                |               |                |               |               |
| M11 - CLJ42-1B                      |                 |  |   |                |   |              |               |              |               |              |               |              |               |              |                |                |               |                |               |               |
| M12 - CLJ48-1                       |                 |  |   |                |   |              |               |              |               |              |               |              |               |              |                |                |               |                |               |               |
| M13 - CLJ48-1A                      |                 |  |   |                |   |              |               |              |               |              |               |              |               |              |                |                |               |                |               |               |
| M14 - CLJ60-1                       |                 |  |   |                |   |              |               |              |               |              |               |              |               |              |                |                |               |                |               |               |
| M15 - CLJ64-1                       |                 |  |   |                |   |              |               |              |               |              |               |              |               |              |                |                |               |                |               |               |
| 91                                  | B13400271S      | COND MOTOR 1/4 HP, 1 SP, 830 RPM, CW (M15)               |   |                |   |              |               |              |               |              |               |              |               |              |                |                |               |                |               |               |
| 101                                 | B1086770S       | FAN BLADE 22", 3 BLADE, 19° (M10, M13)                   |   |                |   |              |               |              |               |              |               |              |               |              |                |                |               |                |               |               |
| 101                                 | B1086750S       | FAN BLADE 22", 3 BLADE, 24° (M12, M14)                   |   |                |   |              |               |              |               |              |               |              |               |              |                |                |               |                |               |               |
| 101                                 | B1086748S       | FAN BLADE 22", 3 BLADE, 30° (M9, M11)                    |   |                |   |              |               |              |               |              |               |              |               |              |                |                |               |                |               |               |
| 101                                 | B1086769        | FAN BLADE 26", 4 BLADE, 22° (M15)                        |   |                |   |              |               |              |               |              |               |              |               |              |                |                |               |                |               |               |
| 111                                 | 1259565P        | LOUVER PANEL, 30.0" RETURN SIDE (M9, M10, M11, M12, M13) |   |                |   |              |               |              |               |              |               |              |               |              |                |                |               |                |               |               |
| 111                                 | 1259567P        | LOUVER PANEL, 40.0" RETURN SIDE (M14, M15)               |   |                |   |              |               |              |               |              |               |              |               |              |                |                |               |                |               |               |
| 121                                 | CR35K6PFV960    | COMPRESSOR 35000, 208/230/60/1 (M9, M10, M11)            |   |                |   |              |               |              |               |              |               |              |               |              |                |                |               |                |               |               |
| 121                                 | CR42K6PFV960    | COMPRESSOR 41900, 380/420/60/1 (M12)                     |   |                |   |              |               |              |               |              |               |              |               |              |                |                |               |                |               |               |
| 121                                 | ZR42K3PFV930    | COMPRESSOR 42800, 208/230/60/1 (M13)                     |   |                |   |              |               |              |               |              |               |              |               |              |                |                |               |                |               |               |
| 121                                 | ZR54K3PFV930    | COMPRESSOR 55000, 208/230/60/1 (M14)                     |   |                |   |              |               |              |               |              |               |              |               |              |                |                |               |                |               |               |
| 121                                 | ZR61K3PFV950    | COMPRESSOR 62000, 208/230/60/1 (M15)                     |   |                |   |              |               |              |               |              |               |              |               |              |                |                |               |                |               |               |
| Must use CAP050700370RTS Capacitor. |                 |  |   |                |   |              |               |              |               |              |               |              |               |              |                |                |               |                |               |               |
| 131                                 | B1339530        | COMPRESSOR GROMMET (M9, M10, M11, M12)                   |   |                |   |              |               |              |               |              |               |              |               |              |                |                |               |                |               |               |
| 131                                 | B1339533        | COMPRESSOR GROMMET (M13, M14, M15)                       |   |                |   |              |               |              |               |              |               |              |               |              |                |                |               |                |               |               |
| 141                                 | B1787000        | VALVE CORE (M9, M10, M11, M12, M13, M14, M15)            |   |                |   |              |               |              |               |              |               |              |               |              |                |                |               |                |               |               |

