



REPAIR PARTS

CL090/120 Condensing Units

CL090-3C
CL090-4C
CL120-3C
CL120-4C

This manual is to be used by qualified technicians only.

© 1987-2008 Goodman Manufacturing Company, L.P. ♦ 5151 San Felipe, Suite 500 ♦ Houston, TX 77056



Important Information

Index

Functional Parts List	3
Illustration and Parts	4 - 7

Views shown are for parts illustrations only, not servicing procedures.

Text Codes:

AR - As Required

NA - Not Available

NS - Not Shown

00000000 - See Note

QTY - Quantity Example (QTY 3) (If Quantity not shown, Quantity = 1)

M - Model Example (M1) (If M Code not shown, then part is used on all Models)

Expanded Model Nomenclature:

Example M1 - Model#1 M2 - Model#2 M3 - Model#3

Goodman Manufacturing Company, L.P. is not responsible for personal injury or property damage resulting from improper service. Review all service information before beginning repairs.

Warranty service must be performed by an authorized technician, using authorized factory parts. If service is required after the warranty expires, Goodman Manufacturing Company, L.P. also recommends contacting an authorized technician and using authorized factory parts.

Goodman Manufacturing Company, L.P. reserves the right to discontinue, or change at any time, specifications or designs without notice or without incurring obligations.

For assistance within the U.S.A. contact:
Consumer Affairs Department
Goodman Manufacturing Company, L.P.
7401 Security Way
Houston, Texas 77040
877-254-4729-Telephone
713-863-2382-Facsimile

For assistance outside the U.S.A. contact:
International Division
Goodman Manufacturing Company, L.P.
7401 Security Way
Houston, Texas 77040
713-861-2500-Telephone
713-863-2382-Facsimile

Functional Parts

Part

No: **Description:**

CAP050000370VAS	CAPACITOR 5/370V (QTY 2)
B9266308	COMPRESSOR 208/230-60-3 #BRE20750TFC211 (M1)
B9266309	COMPRESSOR 208/230-60-3 #BRH21000TFC208 (M2)
B9266310	COMPRESSOR 460-60-3 #BRE20750TFD270 (M3)
B9266311	COMPRESSOR 460-60-3 #BRH21000TFD270 (M4)
0131M00007PS	COND MOTOR 1/4 HP, 1 SP, 8 PL (M1, M2)
B13400269S	COND MOTOR 380/460 50/60 CYCLE (M3, M4)
CONT3P040024VS	CONTACTOR 50 AMP, 3P, 240/480V
1360741	CUT-OUT SWITCH, HIGH PRESSURE
B1360717	CUT-OUT SWITCH, LOW PRESSURE
B1370117	MILD AMBIENT CONTROL

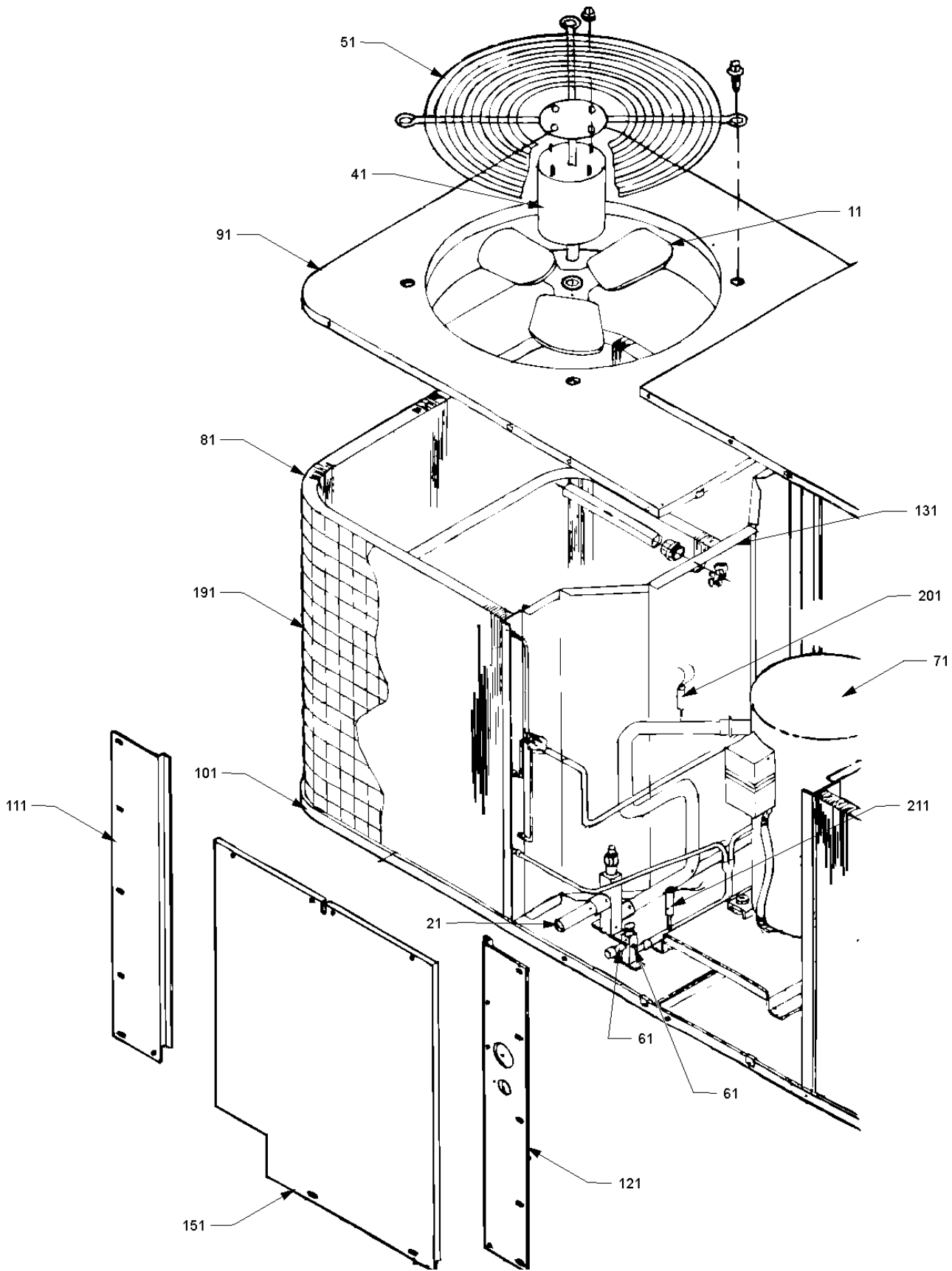
SPECIAL PARTS

RP-108	REPAIR PARTS MANUAL
B260S8291	SPRAY PAINT (ALL UNITS) BAHAMA BEIGE
B260S8280	SPRAY PAINT (ALL UNITS) GRAY

Expanded Model Nomenclature

M1 - CL090-3C
M2 - CL090-4C
M3 - CL120-3C
M4 - CL120-4C

Replacement Parts List



Replacement Parts List

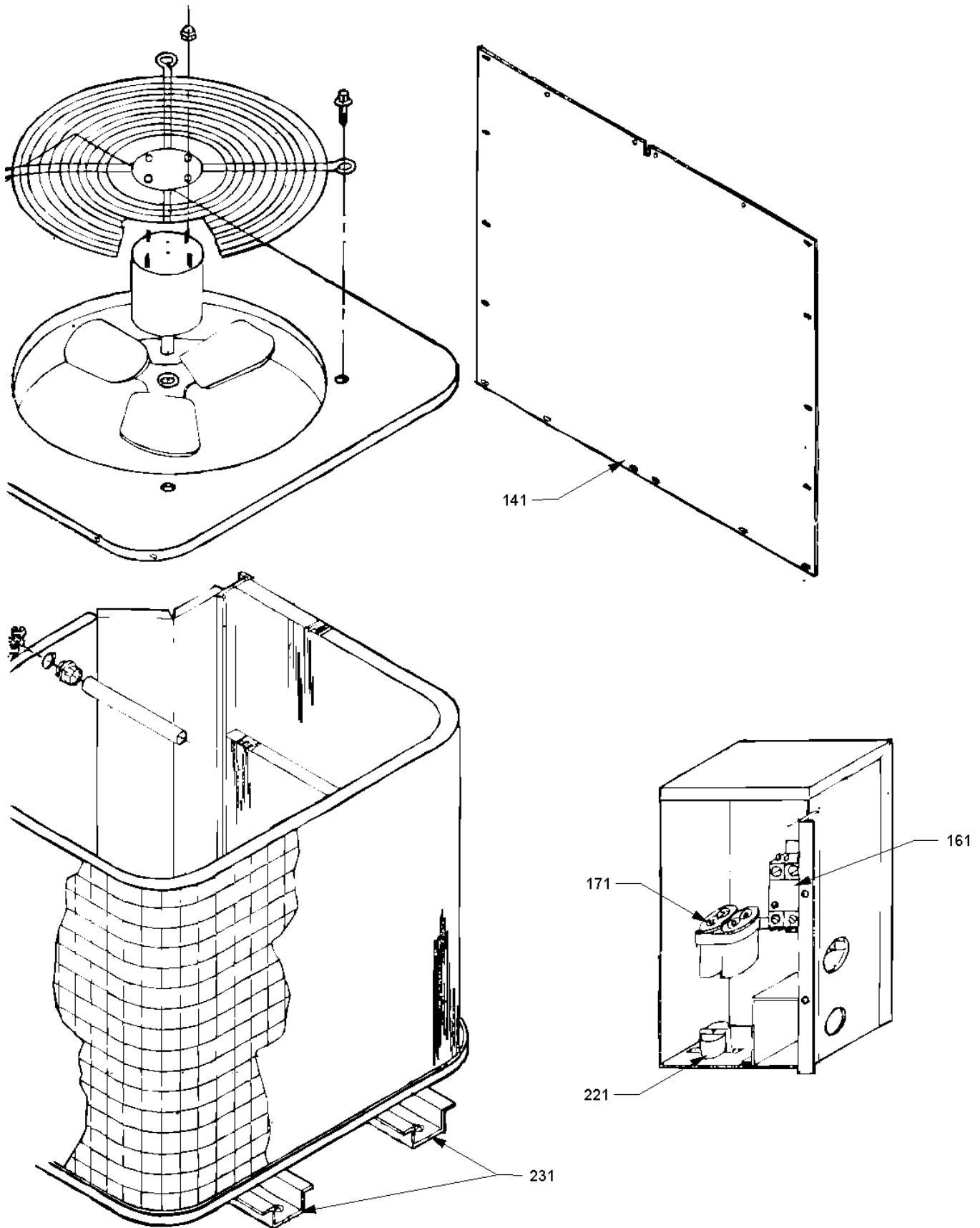
Ref. Part No:	No:	Description:	Ref. Part No:	No:	Description:
<i>Image 1:</i>					
11	B1086750S	FAN BLADE 22", 3 BLADE, 24° (QTY 2)			
21	B1282545	1-1/8" x 13/8" SERVICE VALVE			
31	B1282573	5/8" SERVICE VALVE			
41	0131M00007PS	COND MOTOR 1/4 HP, 1 SP, 8 PL (M1, M2)			
41	B13400269S	COND MOTOR 380/460 50/60 CYCLE (M3, M4)			
51	B1376911	FAN GUARD (QTY 2)			
61	B1787000	VALVE CORE			
71	B9266308	COMPRESSOR 208/230-60-3 #BRE20750TFC211 (M1)			
71	B9266309	COMPRESSOR 208/230-60-3 #BRH21000TFC208 (M2)			
71	B9266310	COMPRESSOR 460-60-3 #BRE20750TFD270 (M3)			
71	B9266311	COMPRESSOR 460-60-3 #BRH21000TFD270 (M4)			
81	12646201	TUBING ASSY, COND COIL (M1, M3)			
81	12646206	TUBING ASSY, COND COIL (M2, M4)			
91	1779404S	TOP PANEL-LOUVERED (QTY 2)			
101	1779104	BOTTOM PANEL (QTY 2)			
111	1723701P	PANEL, LEFT SIDE			
121	1723702P	PANEL, RIGHT SIDE			
NS	B1787811	VENTURI (QTY 2)			

Expanded Model Nomenclature

M1 - CL090-3C
M2 - CL090-4C
M3 - CL120-3C
M4 - CL120-4C

Effective for production on Sept. 1986. (8609 seridal date code & later)

Replacement Parts List



Replacement Parts List

Ref. Part No:	No:	Description:	Ref. Part No:	No:	Description:
---------------	-----	--------------	---------------	-----	--------------

Image 1:

131	1779501	PARTITION PANEL (QTY 2)
141	1723703P	REAR PANEL
151	1723704P	ACCESS PANEL
161	CONT3P040024VS	CONTACTOR 50 AMP, 3P, 240/480V
171	CAP050000370VAS	CAPACITOR 5/370V (QTY 2)
181	B1219215	FILTER DRIER
191	B1249333	INLET GRILLE (QTY 2)
201	B1360717	CUT-OUT SWITCH, LOW PRESSURE
211	1360741	CUT-OUT SWITCH, HIGH PRESSURE
221	B1370117	MILD AMBIENT CONTROL
231	1779704	BOTTOM PANEL CHANNEL (QTY 2)
NS	B260S8291	SPRAY PAINT (ALL UNITS) BAHAMA BEIGE
NS	B260S8280	SPRAY PAINT (ALL UNITS) GRAY

Expanded Model Nomenclature

M1 - CL090-3C
M2 - CL090-4C
M3 - CL120-3C
M4 - CL120-4C

Effective for production on Sept. 1986. (8609 seridal date code & later)