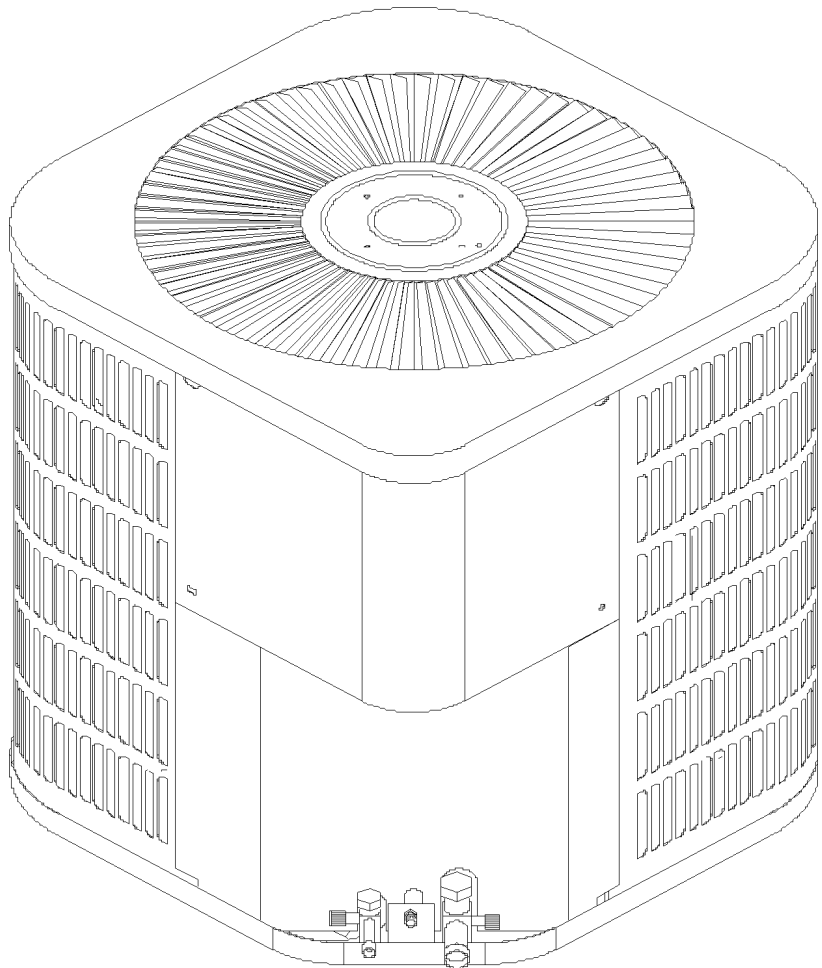


CKL 10 SEER (36-62) Remote Condensing Units

CKL36-1
CKL36-1D
CKL36-1E
CKL36-1F
CKL36-1G
CKL36-1H
CKL36-1K
CKL36-1L
CKL36-3
CKL36-3A
CKL36-3K
CKL36-3L
CKL42-1
CKL42-1A
CKL42-1B
CKL42-1L
CKL49-1
CKL49-1A
CKL49-1L
CKL49-3
CKL49-3A
CKL49-3L
CKL60-1
CKL60-1L
CKL60-3
CKL60-3L
CKL60-4
CKL60-4L
CKL62-1
CKL62-1L



This manual is to be used by qualified technicians only.

This manual replaces RP-466A.

© 2007, 2009 , 2017 Goodman Manufacturing Company, L.P. ♦ 5151 San Felipe St., Suite 500 ♦ Houston, TX 77056

Important Information

Index

Functional Parts List	3
Illustration and Parts	4 - 9

Views shown are for parts illustrations only, not servicing procedures

Rev. A: Updated B1086770S description and added model CKL49-1A.
Rev B: Changed louver panel part numbers on some models from *PDG to *P.

Text Codes:

- AR - As Required
- NA - Not Available
- NS - Not Shown
- 00000000 - See Note
- QTY - Quantity Example (QTY 3) (If Quantity not shown, Quantity = 1)
- M - Model Example (M1) (If M Code not shown, then part is used on all Models)

Expanded Model Nomenclature:

Example M1 - Model#1 M2 - Model#2 M3 - Model#3

Goodman Manufacturing Company, L.P. is not responsible for personal injury or property damage resulting from improper service. Review all service information before beginning repairs.

Warranty service must be performed by an authorized technician, using authorized factory parts. If service is required after the warranty expires, Goodman Manufacturing Company, L.P. also recommends contacting an authorized technician and using authorized factory parts.

Goodman Manufacturing Company, L.P. reserves the right to discontinue, or change at any time, specifications or designs without notice or without incurring obligations.

For assistance within the U.S.A. contact:
Homeowner Support
Goodman Manufacturing Company, L.P.
19001 Kermier Road
Waller, Texas 77484
877-254-4729-Telephone
713-863-2382-Facsimile

For assistance outside the U.S.A. contact:
International Division
Goodman Manufacturing Company, L.P.
19001 Kermier Road
Waller, Texas 77484
713-861-2500-Telephone
713-863-2382-Facsimile

Functional Parts

Part No: **Description:**

CAP050500440CT	CAP, 5/50 MFD/440V/DUAL RD (M3, M5, M7, M8, M13)
CAP050600440CT	CAP, 5/60 MFD/440V/DUAL RD (M23, M24)
CAP050000370LA	CAPACITOR 5/370V (M9, M10, M11, M12, M20, M21, M22, M25, M26, M27, M28)
CAP050400440CT	CAPACITOR 5/40/440V/DUAL RD (M6, M14, M15, M16, M17, M18, M19)
CAP050450440CT	CAPACITOR 5/45/440V/DUAL RD (M1, M2,
CAP050700440CT	CAPACITOR 5/70/440V/DUAL RD (M29, M30)
CR34K6PFV220	COMP,34500,208/230/60/1 (M7, M8)
CR35K6TF5220	COMP,34900,208/230/60/3 (M11, M12)
CR38K6PFV220	COMP,38200,208/230/60/1 (M15, M16)
CR42K6TF5220	COMP,41700,200/230/60/3 (M21, M22)
CR42K6PFV220	COMP,41900,380/420/60/1 (M18, M19)
ZR57KCTF5230	COMP,57500,200/230/60/3 (M26)
ZR57KCPFV250	COMP,57500,208/230/60/1 (M24)
ZR57KCTFD230	COMP,57500,380/460/60/3 (M28)
ZR61KCPFV250	COMP,62000,208/230/60/1 (M29, M30)
CR35K6TF5960	COMPRESSOR 34900, 208/230/60/3 (M9, M10)
CR35K6PFV960	COMPRESSOR 35000, 208/230/60/1 (M1, M2, M3, M4, M5, M6)
CR38K6PFV960	COMPRESSOR 38200, 208/230/60/1 (M13)
CR42K6PFV960	COMPRESSOR 41900, 380/420/60/1 (M14, M17)
ZR57KCTF5930	COMPRESSOR 57500, 200/230/60/3 (M25)
ZR57KCTFD930	COMPRESSOR 57500, 380/460/60/3 (M27)
ZR57K3PFV930	COMPRESSOR 58000, 208/230/60/1 (M23)
B13400248	COND MOTOR 1/3 HP, 1 SP, 230V (M29, M30)
B13400247	COND MOTOR 1/4 HP, 1 SP, 230V (M17, M18, M19, M20, M21, M22, M23, M24, M25, M26)
B13400252	COND MOTOR 1/6 HP, 1 SP, 8 PL (M13, M14, M15, M16)
B13400269	COND MOTOR 380/460 50/60 CYCLE (M27, M28)
CONT1P025024V	CONTACTOR 25 AMP, 1P, 24V (M1, M2, M3, M4, M5, M6, M7, M8, M13, M14, M15, M16)
CONT3P025024V	CONTACTOR 25 AMP, 3P, 24V (M9, M10, M11, M12, M20, M21, M22, M25, M26, M27, M28)
CONT1P030024V	CONTACTOR 30 AMP, 1P, 24V (M17, M18, M19)
CONT2P040024V	CONTACTOR 40 AMP, 2P, 24V (M23, M24, M29, M30)
B13400251	MOTOR, 1/6HP, 230V,1.3 FLA,1SP (M1, M2, M3, M4, M5, M6, M7, M8, M9, M10, M11, M12)
B1141657	START ASSIST (305C11L06, 12.5) - OBSOLETE (M3)

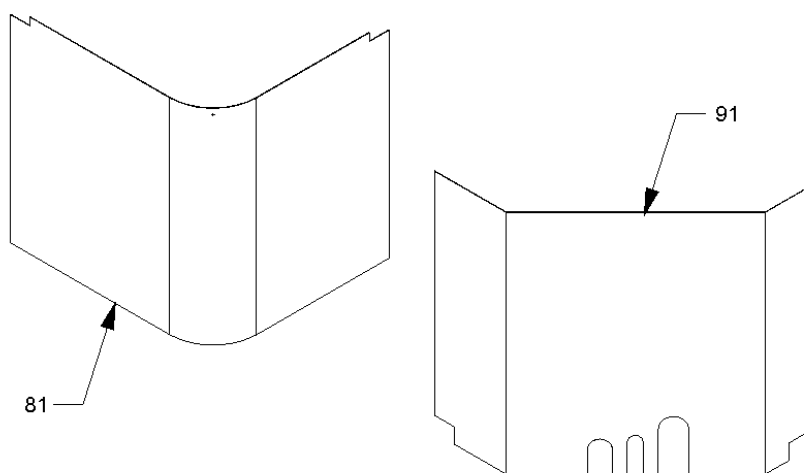
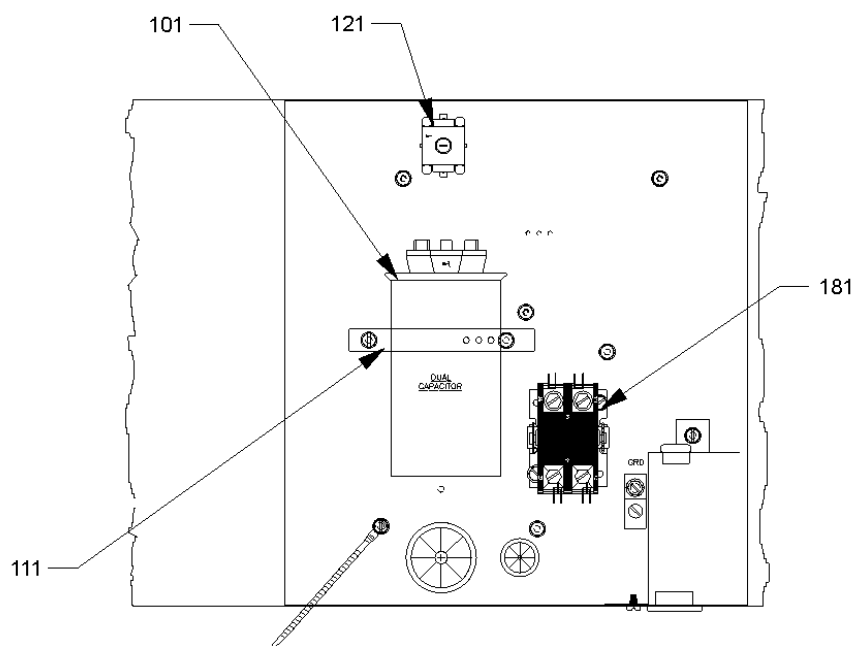
Expanded Model Nomenclature

M1 - CKL36-1
M2 - CKL36-1D
M3 - CKL36-1E
M4 - CKL36-1F
M5 - CKL36-1G
M6 - CKL36-1H
M7 - CKL36-1K
M8 - CKL36-1L
M9 - CKL36-3
M10 - CKL36-3A
M11 - CKL36-3K
M12 - CKL36-3L
M13 - CKL42-1
M14 - CKL42-1A
M15 - CKL42-1B
M16 - CKL42-1L
M17 - CKL49-1
M18 - CKL49-1A
M19 - CKL49-1L
M20 - CKL49-3
M21 - CKL49-3A
M22 - CKL49-3L
M23 - CKL60-1
M24 - CKL60-1L
M25 - CKL60-3
M26 - CKL60-3L
M27 - CKL60-4
M28 - CKL60-4L
M29 - CKL62-1
M30 - CKL62-1L

SPECIAL PARTS

B4400000	NAME PLATE (M7, M8, M11, M12, M15, M16, M18, M19, M21, M22)
----------	---

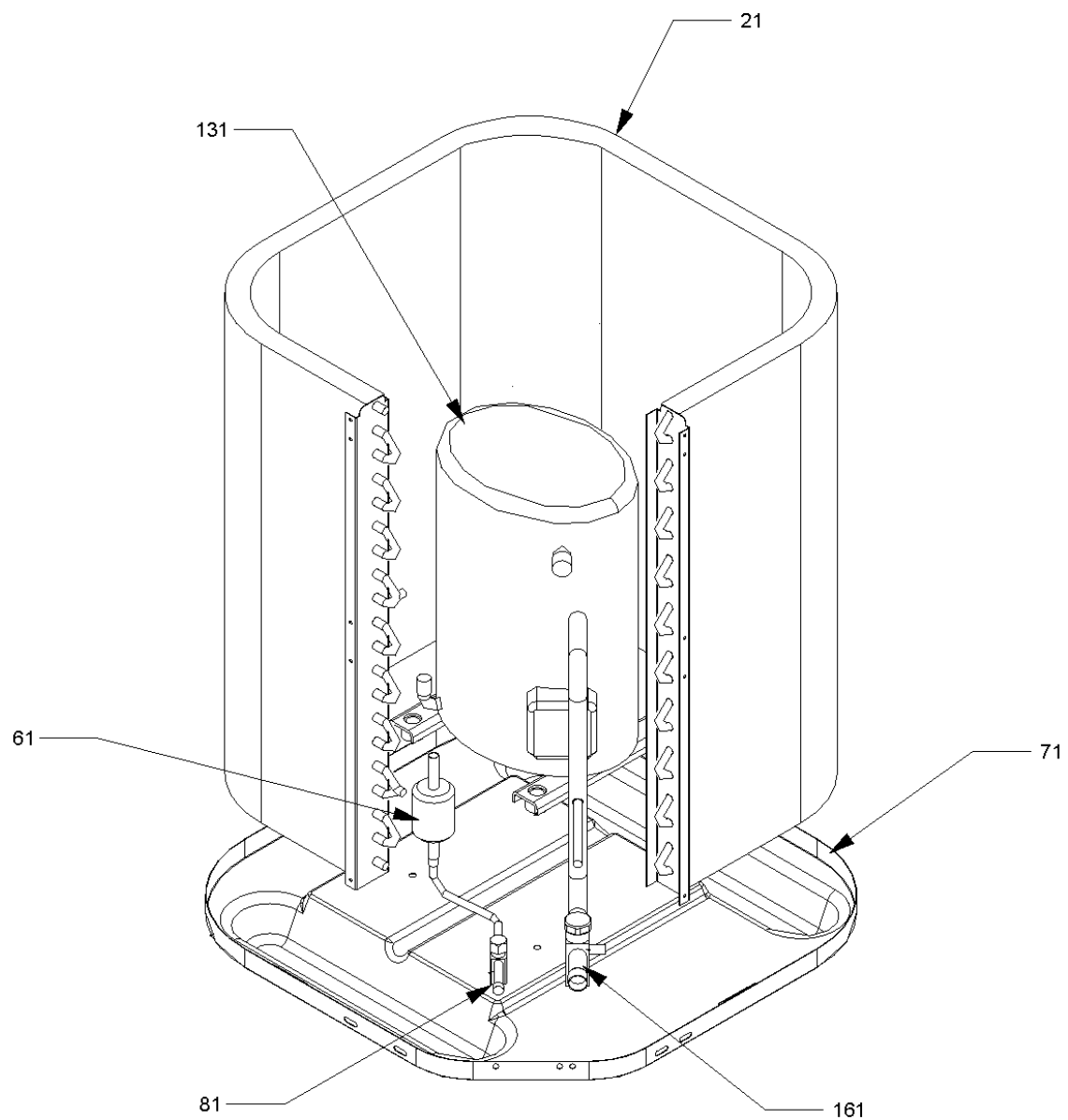
Control Cover/Control Box



Control Cover/Control Box

Ref. Part No:	No:	Description:	Ref. Part No:	No:	Description:
<i>Image 1:</i>			Expanded Model Nomenclature		
81	1787624P	CONTROL BOX COVER (M1, M2, M3, M4, M5, M6, M7, M9, M10, M11, M13, M14, M15, M17, M18, M20, M21, M23, M25, M27, M29)	M1 - CKL36-1		
81	1787624PDG	CONTROL BOX COVER (M8, M12, M16, M19, M22, M24, M26, M28, M30)	M2 - CKL36-1D		
91	1787707P	ACCESS PANEL 25" (M2, M3, M4, M5, M6, M9, M10)	M3 - CKL36-1E		
91	1787708P	ACCESS PANEL 27.5" (M1, M7, M11, M17, M20)	M4 - CKL36-1F		
91	1787708PDG	ACCESS PANEL 27.5" (M8, M12, M19, M22)	M5 - CKL36-1G		
91	1787709P	ACCESS PANEL 30" (M13, M14, M15, M23, M25, M27)	M6 - CKL36-1H		
91	1787709PDG	ACCESS PANEL 30" (M16, M24, M26, M28)	M7 - CKL36-1K		
91	1787717P	ACCESS PANEL 37.5" (M29)	M8 - CKL36-1L		
91	1787717PDG	ACCESS PANEL 37.5" (M30)	M9 - CKL36-3		
101	CAP050500440CT	CAP, 5/50 MFD/440V/DUAL RD (M3, M5, M7, M8, M13)	M10 - CKL36-3A		
101	CAP050600440CT	CAP, 5/60 MFD/440V/DUAL RD (M23, M24)	M11 - CKL36-3K		
101	CAP050000370LA	CAPACITOR 5/370V (M9, M10, M11, M12, M20, M21, M22, M25, M26, M27, M28)	M12 - CKL36-3L		
101	CAP050400440CT	CAPACITOR 5/40/440V/DUAL RD (M6, M14, M15, M16, M17, M18, M19)	M13 - CKL42-1		
101	CAP050450440CT	CAPACITOR 5/45/440V/DUAL RD (M1, M2, M4)	M14 - CKL42-1A		
101	CAP050700440CT	CAPACITOR 5/70/440V/DUAL RD (M29, M30)	M15 - CKL42-1B		
111	1284835	CAPACITOR STRAP	M16 - CKL42-1L		
121	B1141657	START ASSIST (305C11L06, 12.5) - OBSOLETE (M3)	M17 - CKL49-1		
181	CONT1P025024V	CONTACTOR 25 AMP, 1P, 24V (M1, M2, M3, M4, M5, M6, M7, M8, M13, M14, M15, M16)	M18 - CKL49-1A		
181	CONT3P025024V	CONTACTOR 25 AMP, 3P, 24V (M9, M10, M11, M12, M20, M21, M22, M25, M26, M27, M28)	M19 - CKL49-1L		
181	CONT1P030024V	CONTACTOR 30 AMP, 1P, 24V (M17, M18, M19)	M20 - CKL49-3		
181	CONT2P040024V	CONTACTOR 40 AMP, 2P, 24V (M23, M24, M29, M30)	M21 - CKL49-3A		
			M22 - CKL49-3L		
			M23 - CKL60-1		
			M24 - CKL60-1L		
			M25 - CKL60-3		
			M26 - CKL60-3L		
			M27 - CKL60-4		
			M28 - CKL60-4L		
			M29 - CKL62-1		
			M30 - CKL62-1L		

Compressor/Tubing Assy



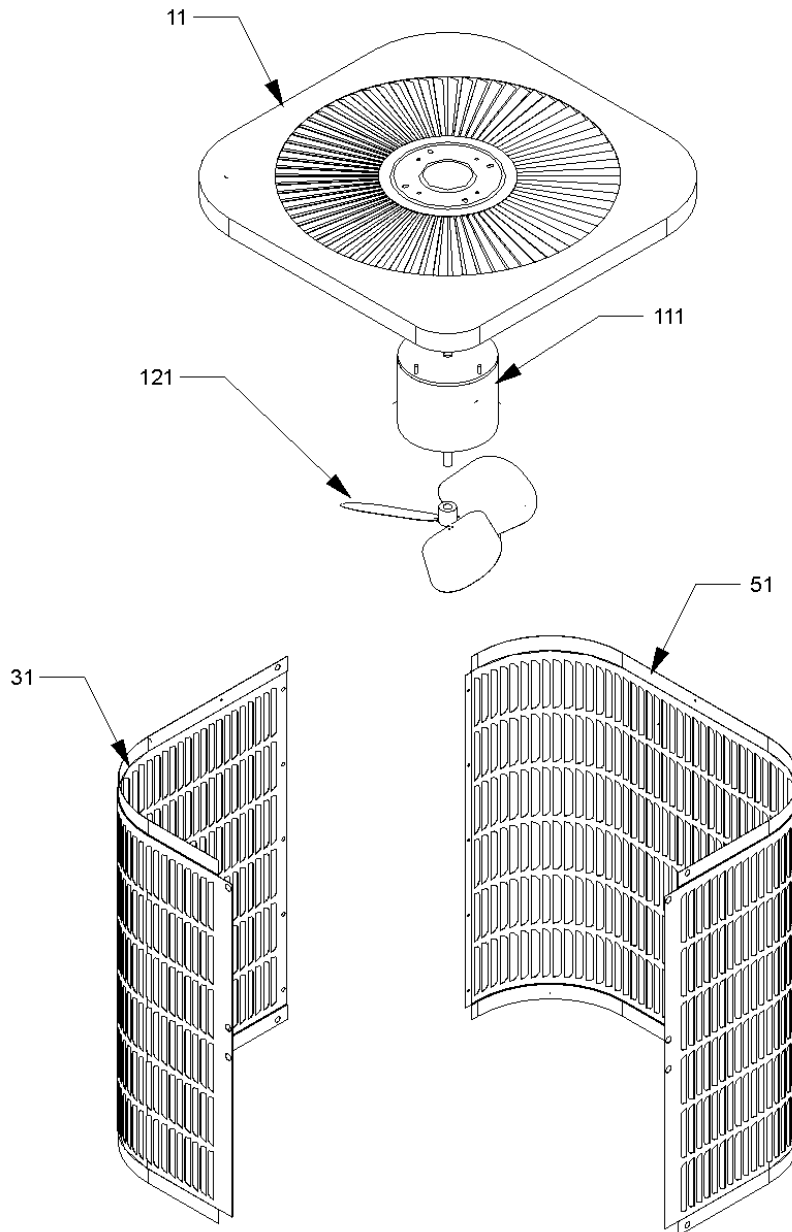
Compressor/Tubing Assy

Ref. Part No:	Ref. Part No:	Description:	Description:
Image 1:		Image 1:	
21	1265530	ASSY, COND.COIL TUBING (M13, M14, M15, M16)	NS B1789882 FLOW CHECK PISTON KIT .082 (M18, M19, M21, M22)
21	1265627	COIL TUBING ASM. (M17, M18, M19, M20, M21, M22)	NS B1789893 FLOW CHECK PISTON KIT .093 (M29, M30)
21	1265630	COIL TUBING ASM. (M23, M24, M25, M26, M27, M28)	NS M0221641 TF SHOULDER SCREW (M17, M18, M19, M20, M21, M22, M23, M24, M25, M26, M27, M28, M29, M30)
21	1265637	DUAL COIL TUBING ASM (37.5") (M29, M30)	
21	1265325NP	TUBING ASSEMBLY (M4, M5, M6, M9, M10)	
21	1700503	TUBING ASSEMBLY (M7, M8, M11, M12)	
21	126502NP	TUBING ASSY, COND COIL (M1)	
21	126506NP	TUBING ASSY, COND COIL (M2, M3)	
61	B1219212	SINGLE-FLOW FILTER DRIER, STEEL (M8, M12, M16)	
61	B1219225	SINGLE-FLOW FILTER DRIER, STEEL (M18, M21, M24, M26, M28, M30)	
71	1787209P	BASE PAN (M1, M2, M3)	
71	1787211PDG	BASE PAN (M8, M12, M16)	
71	1787211PDG	BASE PAN (M4, M5, M6, M7, M9, M10, M11, M13, M14, M15)	
71	1787212PDG	BASE PAN (M17, M18, M20, M21, M23, M25, M27, M29)	
71	1787212PDG	BASE PAN (M19, M22, M24, M26, M28, M30)	
81	0151R00078	3/8" SERVICE VALVE (M7, M8, M11, M12, M15, M16, M18, M19, M21, M22, M23, M24, M25, M26, M27, M28, M29, M30)	
81	B1282565	3/8" SERVICE VALVE (M1)	
81	B1282571	3/8" SERVICE VALVE (M2, M3, M4, M5, M6, M9, M10, M13, M14, M17, M20)	
131	CR34K6PFV220	COMP,34500,208/230/60/1 (M7, M8)	
131	CR35K6TF5220	COMP,34900,208/230/60/3 (M11, M12)	
131	CR38K6PFV220	COMP,38200,208/230/60/1 (M15, M16)	
131	CR42K6TF5220	COMP,41700,200/230/60/3 (M21, M22)	
131	CR42K6PFV220	COMP,41900,380/420/60/1 (M18, M19)	
131	ZR57KCTF5230	COMP,57500,200/230/60/3 (M26)	
131	ZR57KCPFV250	COMP,57500,208/230/60/1 (M24)	
131	ZR57KCTFD230	COMP,57500,380/460/60/3 (M28)	
131	ZR61KCPFV250	COMP,62000,208/230/60/1 (M29, M30)	
131	CR35K6TF5960	COMPRESSOR 34900, 208/230/60/3 (M9, M10)	
131	CR35K6PFV960	COMPRESSOR 35000, 208/230/60/1 (M1, M2, M3, M4, M5, M6)	
131	CR38K6PFV960	COMPRESSOR 38200, 208/230/60/1 (M13)	
131	CR42K6PFV960	COMPRESSOR 41900, 380/420/60/1 (M14, M17)	
131	ZR57KCTF5930	COMPRESSOR 57500, 200/230/60/3 (M25)	
131	ZR57KCTFD930	COMPRESSOR 57500, 380/460/60/3 (M27)	
131	ZR57K3PFV930	COMPRESSOR 58000, 208/230/60/1 (M23)	
161	B12825166	3/4" SERVICE VALVE (M7, M8, M11, M12)	
161	B1282566	3/4" SERVICE VALVE (M1, M2, M3, M4, M5, M6, M9, M10)	
161	B12825167	7/8" SERVICE VALVE (M15, M16, M18, M19, M21, M22, M23, M24, M25, M26, M27, M28, M29, M30)	
161	B1282567	7/8" SERVICE VALVE (M13, M14, M17, M20)	
NS	B1393701	COMPRESSOR BOLT & SLEEVE ASSY (M1, M2, M3, M4, M5, M6, M7, M8, M9, M10, M11, M12, M13, M14, M15, M16)	
NS	B1339530	COMPRESSOR GROMMET (M1, M2, M3, M4, M5, M6, M7, M8, M9, M10, M11, M12, M13, M14, M15, M16, M17, M18, M19, M20, M21, M22)	
NS	B1339533	COMPRESSOR GROMMET (M23, M24, M25, M26, M27, M28, M29, M30)	

Expanded Model Nomenclature

M1 - CKL36-1
M2 - CKL36-1D
M3 - CKL36-1E
M4 - CKL36-1F
M5 - CKL36-1G
M6 - CKL36-1H
M7 - CKL36-1K
M8 - CKL36-1L
M9 - CKL36-3
M10 - CKL36-3A
M11 - CKL36-3K
M12 - CKL36-3L
M13 - CKL42-1
M14 - CKL42-1A
M15 - CKL42-1B
M16 - CKL42-1L
M17 - CKL49-1
M18 - CKL49-1A
M19 - CKL49-1L
M20 - CKL49-3
M21 - CKL49-3A
M22 - CKL49-3L
M23 - CKL60-1
M24 - CKL60-1L
M25 - CKL60-3
M26 - CKL60-3L
M27 - CKL60-4
M28 - CKL60-4L
M29 - CKL62-1
M30 - CKL62-1L

Cabinet Top/Side panels



Cabinet Top/Side panels

Ref. Part No: No:	Description:	Ref. Part No: No:	Description:
Image 1:		Image 1:	
11	1779405PDG TOP PANEL (M8, M12, M16)	NS	B1783803 ACORN NUT 5/16 HEX YELLOW ZINC (QTY 4)
11	1779405PDG TOP PANEL (M1, M2, M3, M4, M5, M6, M7, M9, M10, M11, M13, M14, M15)	NS	1259525P LOUVERED PANEL, SINGLE PIECE (M2, M3)
11	1779415PDG TOP PANEL (M23, M25, M27)	NS	1259527P LOUVERED PANEL, SINGLE PIECE (M1)
11	1779415PDG TOP PANEL (M24, M26, M28)	NS	17788000062 PVC CONDUIT 11.0" LRG (M17, M18, M19, M20, M21, M22, M23, M24, M25, M26, M27, M28, M29, M30)
11	1779615P TOP PANEL (M17, M18, M20, M21, M29)	NS	17788000061 PVC CONDUIT 7.5" SML (M1, M2, M3, M4, M5, M6, M7, M8, M9, M10, M11, M12, M13, M14, M15, M16)
11	1779406PDG TOP PANEL W/PAINT (CK) LRG. (M19, M22, M30)		
31	1259552P LOUVER PNL H-PIN SIDE W/PAINT (M7, M11)		
31	1259551PDG LOUVERED PANEL, HAIRPIN SIDE (M4, M5, M6, M9, M10)		
31	1259552PDG LOUVERED PANEL, HAIRPIN SIDE (M8, M12)		
31	1259561PDG LOUVERED PANEL, HAIRPIN SIDE (M23, M25, M27)		
31	1259561PDG LOUVERED PANEL, HAIRPIN SIDE (M24, M26, M28)		
31	1259562PDG LOUVERED PANEL, HAIRPIN SIDE (M30)		
31	1259562PDG LOUVERED PANEL, HAIRPIN SIDE (M29)		
31	1259568PDG LOUVERED PANEL, HAIRPIN SIDE (M17, M18, M20, M21)		
31	1259568PDG LOUVERED PANEL, HAIRPIN SIDE (M19, M22)		
31	1259553PDG LOUVERED PANEL, HAIRPIN SIDE - OBSOLETE (M16)		
31	1259553PDG LOUVERED PANEL, HAIRPIN SIDE - OBSOLETE (M13, M14, M15)		
51	1259557P LOUVER PNL RETURN SIDE W/PAINT (M7, M11)		
51	1259556PDG LOUVERED PANEL, RETURN SIDE (M4, M5, M6, M9, M10)		
51	1259557PDG LOUVERED PANEL, RETURN SIDE (M8, M12)		
51	1259558PDG LOUVERED PANEL, RETURN SIDE (M13, M14, M15)		
51	1259558PDG LOUVERED PANEL, RETURN SIDE (M16)		
51	1259565PDG LOUVERED PANEL, RETURN SIDE (M23, M25, M27)		
51	1259565PDG LOUVERED PANEL, RETURN SIDE (M24, M26, M28)		
51	1259566PDG LOUVERED PANEL, RETURN SIDE (M29)		
51	1259566PDG LOUVERED PANEL, RETURN SIDE (M30)		
51	1259571P LOUVERED PANEL, RETURN SIDE (M17, M18, M20, M21)		
51	1259571PDG LOUVERED PANEL, RETURN SIDE (M19, M22)		
111	B13400248 COND MOTOR 1/3 HP, 1 SP, 230V (M29, M30)		
111	B13400247 COND MOTOR 1/4 HP, 1 SP, 230V (M17, M18, M19, M20, M21, M22, M23, M24, M25, M26)		
111	B13400252 COND MOTOR 1/6 HP, 1 SP, 8 PL (M13, M14, M15, M16)		
111	B13400269 COND MOTOR 380/460 50/60 CYCLE (M27, M28)		
111	B13400251 MOTOR, 1/6HP, 230V, 1.3 FLA, 1SP (M1, M2, M3, M4, M5, M6, M7, M8, M9, M10, M11, M12)		
121	B1086775 FAN BLADE (M19, M22)		
121	B1086771 FAN BLADE 18", X-SERIES (M1, M2, M3, M4, M5, M6, M7, M8, M9, M10, M11, M12, M13, M14, M15, M16)		
121	B1086770 FAN BLADE 22", 3 BLADE, 19° (M17, M18, M20, M21)		
121	B1086750 FAN BLADE 22", 3 BLADE, 24° (M23, M24, M25, M26, M27, M28)		
121	B1086748 FAN BLADE 22", 3 BLADE, 30° (M29, M30)		
		Expanded Model Nomenclature	
		M1 - CKL36-1	
		M2 - CKL36-1D	
		M3 - CKL36-1E	
		M4 - CKL36-1F	
		M5 - CKL36-1G	
		M6 - CKL36-1H	
		M7 - CKL36-1K	
		M8 - CKL36-1L	
		M9 - CKL36-3	
		M10 - CKL36-3A	
		M11 - CKL36-3K	
		M12 - CKL36-3L	
		M13 - CKL42-1	
		M14 - CKL42-1A	
		M15 - CKL42-1B	
		M16 - CKL42-1L	
		M17 - CKL49-1	
		M18 - CKL49-1A	
		M19 - CKL49-1L	
		M20 - CKL49-3	
		M21 - CKL49-3A	
		M22 - CKL49-3L	
		M23 - CKL60-1	
		M24 - CKL60-1L	
		M25 - CKL60-3	
		M26 - CKL60-3L	
		M27 - CKL60-4	
		M28 - CKL60-4L	
		M29 - CKL62-1	
		M30 - CKL62-1L	