

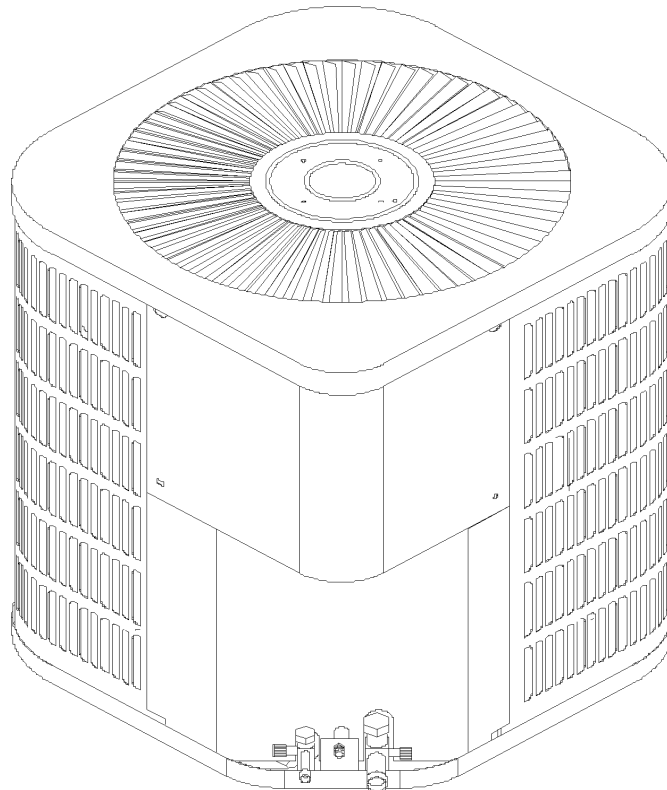


# REPAIR PARTS

## CKL 10 SEER (18-30) Remote Condensing Units

*Models 36-62 can be found on RP-466.*

CKL18-1  
CKL18-1B  
CKL18-1C  
CKL18-1D  
CKL18-1L  
CKL18-1M  
CKL24-1  
CKL24-1D  
CKL24-1E  
CKL24-1F  
CKL24-1G  
CKL24-1H  
CKL24-1K  
CKL24-1L  
CKL24-1M  
CKL30-1  
CKL30-1D  
CKL30-1E  
CKL30-1F  
CKL30-1G  
CKL30-1L



Goodman Manufacturing Company, L.P.  
5151 San Felipe, Suite 500  
Houston, TX 77056

[www.goodmanmfg.com](http://www.goodmanmfg.com)

RP-465  
May 2007

# Important Information

---

## Index

Functional Parts List .....	3
Illustration and Parts .....	4 - 5

*Views shown are for parts illustrations only, not servicing procedures.*

Corrected compressor part numbers.  
5-7-2013 : Removed 1262103 and replaced with 1262102

### Text Codes:

- AR - As Required
- NA - Not Available
- NS - Not Shown
- 00000000 - See Note
- QTY - Quantity Example (QTY 3) (If Quantity not shown, Quantity = 1)
- M - Model Example (M1) (If M Code not shown, then part is used on all Models)

### Expanded Model Nomenclature:

Example M1 - Model#1 M2 - Model#2 M3 - Model#3
---------------------------------------------------------

Goodman Manufacturing Company, L.P. is not responsible for personal injury or property damage resulting from improper service. Review all service information before beginning repairs.

Warranty service must be performed by an authorized technician, using authorized factory parts. If service is required after the warranty expires, Goodman Manufacturing Company, L.P. also recommends contacting an authorized technician and using authorized factory parts.

Goodman Manufacturing Company, L.P. reserves the right to discontinue, or change at any time, specifications or designs without notice or without incurring obligations.

For assistance within the U.S.A. contact:  
Consumer Affairs Department  
Goodman Manufacturing Company, L.P.  
7401 Security Way  
Houston, Texas 77040  
877-254-4729-Telephone  
713-863-2382-Facsimile

For assistance outside the U.S.A. contact:  
International Division  
Goodman Manufacturing Company, L.P.  
7401 Security Way  
Houston, Texas 77040  
713-861-2500-Telephone  
713-863-2382-Facsimile

# Functional Parts

## Part

## No: Description:

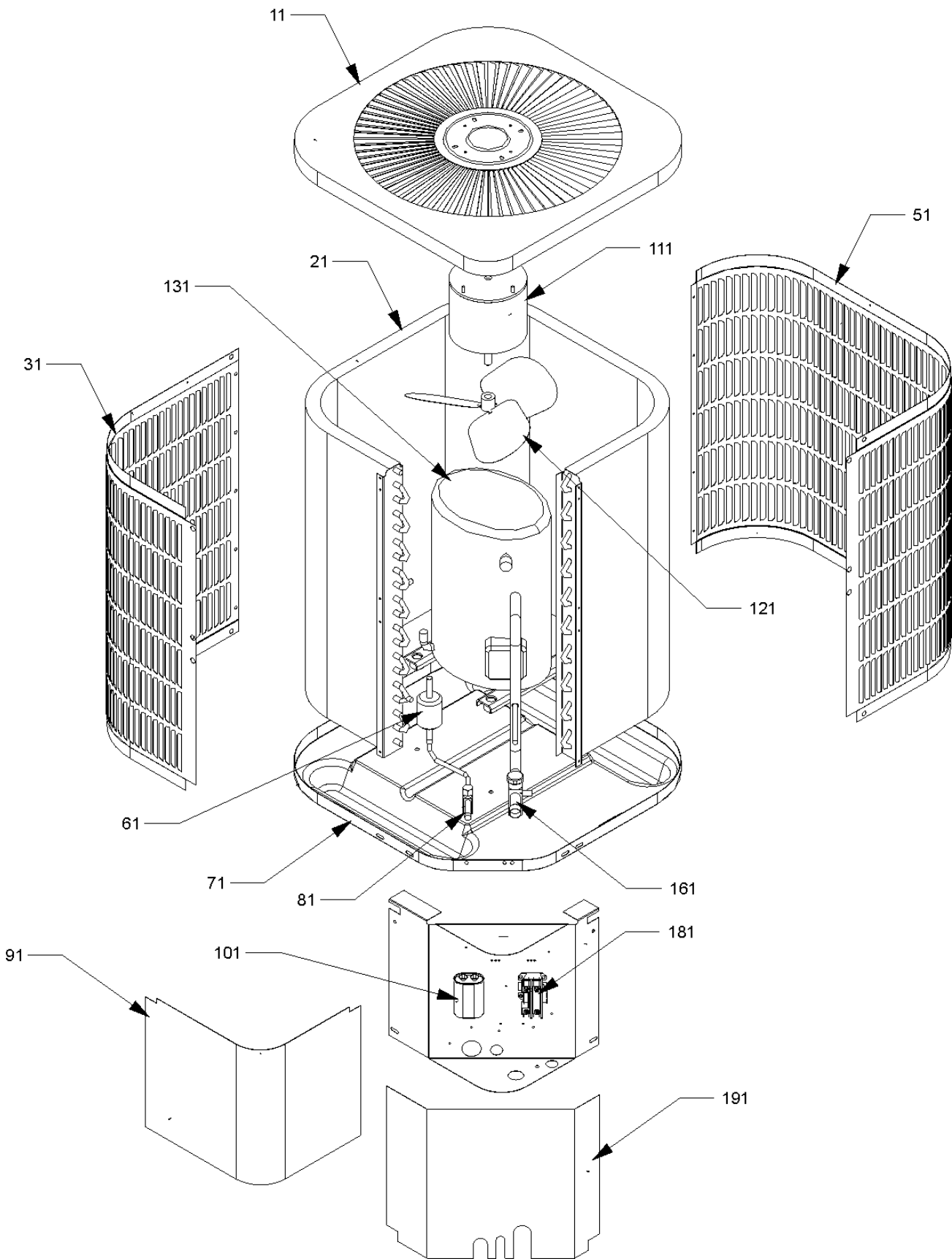
## Expanded Model Nomenclature

CAP050250370RS	CAPACITOR 5/25/370V (M1, M2, M3, M4, M5, M6)	M1 - CKL18-1
CAP050300370RS	CAPACITOR 5/30/370V (M7, M8, M9, M10, M11, M12, M13, M14, M15)	M2 - CKL18-1B
B94575300	CAPACITOR 5/35/370V (M16, M17, M18, M19, M20, M21)	M3 - CKL18-1C
CR16K6PFV930	COMPRESSOR 16200, 208/230/60/1 (M4, M5)	M4 - CKL18-1D
CR22K6PFV920	COMPRESSOR 21800, 208/230/60/1 (M13, M14)	M5 - CKL18-1L
CR28K6PFV920	COMPRESSOR 28200, 208/230/60/1 (M20, M21)	M6 - CKL18-1M
B9266234A	COMPRESSOR H23B153ABCA (704132-1501-00) (M1, M2, M3, M6)	M7 - CKL24-1
CR22K6PFV960	COMPRESSOR H23B223ABCA (704005-1501-00) (M7, M8, M10, M12, M15)	M8 - CKL24-1D
CR28K6PFV960	COMPRESSOR H29B28UABCA (709004-1501-00) (M16, M17, M18, M19)	M9 - CKL24-1E
B9266735	COMPRESSOR TECUMSEH (AWH5522E) (M9, M11)	M10 - CKL24-1F
CONT1P025024VS	CONTACTOR 25 AMP, 1P, 125 LRA, 277V	M11 - CKL24-1G
1262101	CRATED SERVICE COIL W/FILTER DRIER (M1, M2, M3, M4, M5, M6)	M12 - CKL24-1H
1262102	CRATED SERVICE COIL W/FILTER DRIER (M7, M8, M9, M10, M11, M12, M13, M14, M15, M16, M17, M18, M19, M20, M21)	M13 - CKL24-1K
B13400252	MOTOR, 1/6 HP, 230V, 1.3 FLA	M14 - CKL24-1L
B1219212	SINGLE-FLOW FILTER DRIER, STEEL	M15 - CKL24-1M
B1282566	VALVE, SERVICE 3/4" (M1, M2, M3, M7, M8, M9, M10, M11, M12, M16, M17, M18, M19)	M16 - CKL30-1
0151R00002P	VALVE, SERVICE 3/4" OPEN (M4, M5, M6, M13, M14, M15, M20, M21)	M17 - CKL30-1D
20163801	VALVE, SERVICE 3/8" (M7, M16)	M18 - CKL30-1E
B12825171	VALVE, SERVICE 3/8" OPEN (M1, M2, M3, M4, M5, M6, M8, M9, M10, M11, M12, M13, M14, M15, M17, M18, M19, M20, M21)	M19 - CKL30-1F
		M20 - CKL30-1G
		M21 - CKL30-1L

## SPECIAL PARTS

IO-101J	INSTALLATION INSTRUCTIONS
B4400000	NAME PLATE (M3, M4, M5, M6, M12, M13, M14, M15, M19, M20, M21)
RP-465	REPAIR PARTS MANUAL

# Louvered Chassis & Control Box



# Louvered Chassis & Control Box

Ref. Part No:	Ref. Part No:	Description:	Description:
<i>Image 1:</i>			
11	1779405PDG	TOP PANEL	NS 1259525P LOUVERED SIDE PANEL, SINGLE PIECE (M7, M16)
21	1262101	CRATED SERVICE COIL W/FILTER DRIER (M1, M2, M3, M4, M5, M6)	NS B4400000 NAME PLATE (M3, M4, M5, M6, M12, M13, M14, M15, M19, M20, M21)
21	1262102	CRATED SERVICE COIL W/FILTER DRIER (M7, M8, M9, M10, M11, M12, M13, M14, M15, M16, M17, M18, M19, M20, M21)	Expanded Model Nomenclature
31	1259550PDG	LOUVERED PANEL, HAIRPIN SIDE (M2, M10, M11, M18)	
51	1259555P	LOUVERED PANEL, RETURN SIDE (M2, M10, M11, M18)	M1 - CKL18-1
61	B1219212	SINGLE-FLOW FILTER DRIER, STEEL	M2 - CKL18-1B
71	1787209P	BASE PAN (M1, M7, M8, M9, M16, M17)	M3 - CKL18-1C
71	1787211PDG	BASE PAN (M2, M3, M4, M5, M6, M10, M11, M12, M13, M14, M15, M18, M19, M20, M21)	M4 - CKL18-1D
81	20163801	VALVE, SERVICE 3/8" (M7, M16)	M5 - CKL18-1L
81	B12825171	VALVE, SERVICE 3/8" OPEN (M1, M2, M3, M4, M5, M6, M8, M9, M10, M11, M12, M13, M14, M15, M17, M18, M19, M20, M21)	M6 - CKL18-1M
91	1787624PDG	CONTROL BOX COVER	M7 - CKL24-1
101	CAP050250370RS	CAPACITOR 5/25/370V (M1, M2, M3, M4, M5, M6)	M8 - CKL24-1D
101	CAP050300370RS	CAPACITOR 5/30/370V (M7, M8, M9, M10, M11, M12, M13, M14, M15)	M9 - CKL24-1E
101	B94575300	CAPACITOR 5/35/370V (M16, M17, M18, M19, M20, M21)	M10 - CKL24-1F
111	B13400252	MOTOR, 1/6 HP, 230V, 1.3 FLA	M11 - CKL24-1G
121	B1086771	FAN BLADE 18" X-SERIES	M12 - CKL24-1H
131	CR16KFPFV930	COMPRESSOR 16200, 208/230/60/1 (M4, M5)	M13 - CKL24-1K
131	CR22K6PFV920	COMPRESSOR 21800, 208/230/60/1 (M13, M14)	M14 - CKL24-1L
131	CR28K6PFV920	COMPRESSOR 28200, 208/230/60/1 (M20, M21)	M15 - CKL24-1M
131	B9266234A	COMPRESSOR H23B153ABCA (704132-1501-00) (M1, M2, M3, M6)	M16 - CKL30-1
131	CR22K6PFV960	COMPRESSOR H23B223ABCA (704005-1501-00) (M7, M8, M10, M12, M15)	M17 - CKL30-1D
131	CR28K6PFV960	COMPRESSOR H29B28UABCA (709004-1501-00) (M16, M17, M18, M19)	M18 - CKL30-1E
131	B9266735	COMPRESSOR TECUMSEH (AWH5522E) (M9, M11)	M19 - CKL30-1F
161	B1282566	VALVE, SERVICE 3/4" (M1, M2, M3, M7, M8, M9, M10, M11, M12, M16, M17, M18, M19)	M20 - CKL30-1G
161	0151R00002P	VALVE, SERVICE 3/4" OPEN (M4, M5, M6, M13, M14, M15, M20, M21)	M21 - CKL30-1L
181	CONT1P025024VS	CONTACTOR 25 AMP, 1P, 125 LRA, 277V	
191	1787706PDG	ACCESS PANEL 22.5" (M1, M2, M3, M4, M5, M6, M8, M9, M10, M11, M12, M13, M14, M15, M17, M18, M19, M20, M21)	
191	1787707P	ACCESS PANEL 25" (M7, M16)	
NS	1284835	CAPACITOR STRAP	
NS	B1393701	COMPRESSOR BOLT & SLEEVE ASSY (QTY 4)	
NS	B1339530	COMPRESSOR GROMMET (QTY 4)	
NS	1259574PDG	LOUVERED PANEL, 22.5" SINGLE PIECE (M3, M4, M5, M6, M12, M13, M14, M15, M19, M20, M21)	
NS	1259522P	LOUVERED PANEL, SINGLE PIECE (M1, M8, M9, M17)	