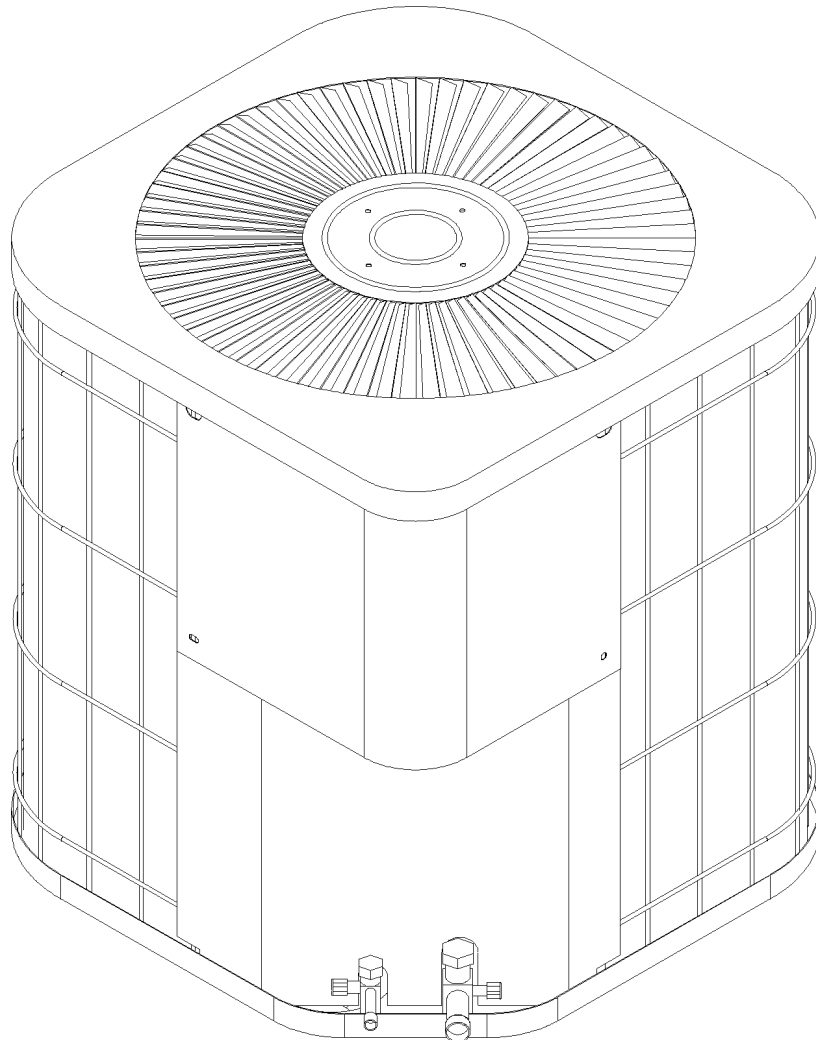


CKJ Series Remote Condensing Units

CKJ18-1
CKJ24-1
CKJ24-1A
CKJ30-1*
CKJ30-1A
CKJ30-1D
CKJ36-1*
CKJ36-1A
CKJ36-1D
CKJ42-1*
CKJ42-1A*
CKJ42-1D
CKJ42-1T
CKJ48-1*
CKJ48-1A*
CKJ60-1



This manual is to be used by qualified technicians only.

© 2001-2008 Goodman Manufacturing Company, L.P. ♦ 5151 San Felipe, Suite 500 ♦ Houston, TX 77056

Important Information

Index

Functional Parts List	3
Illustration and Parts	4 - 5

Views shown are for parts illustrations only, not servicing procedures.

Text Codes:

AR - As Required

NA - Not Available

NS - Not Shown

00000000 - See Note

QTY - Quantity Example (QTY 3) (If Quantity not shown, Quantity = 1)

M - Model Example (M1) (If M Code not shown, then part is used on all Models)

Expanded Model Nomenclature:

Example M1 - Model#1 M2 - Model#2 M3 - Model#3

Goodman Manufacturing Company, L.P. is not responsible for personal injury or property damage resulting from improper service. Review all service information before beginning repairs.

Warranty service must be performed by an authorized technician, using authorized factory parts. If service is required after the warranty expires, Goodman Manufacturing Company, L.P. also recommends contacting an authorized technician and using authorized factory parts.

Goodman Manufacturing Company, L.P. reserves the right to discontinue, or change at any time, specifications or designs without notice or without incurring obligations.

For assistance within the U.S.A. contact:
Consumer Affairs Department
Goodman Manufacturing Company, L.P.
7401 Security Way
Houston, Texas 77040
877-254-4729-Telephone
713-863-2382-Facsimile

For assistance outside the U.S.A. contact:
International Division
Goodman Manufacturing Company, L.P.
7401 Security Way
Houston, Texas 77040
713-861-2500-Telephone
713-863-2382-Facsimile

Functional Parts

Part

No: Description:

Expanded Model Nomenclature

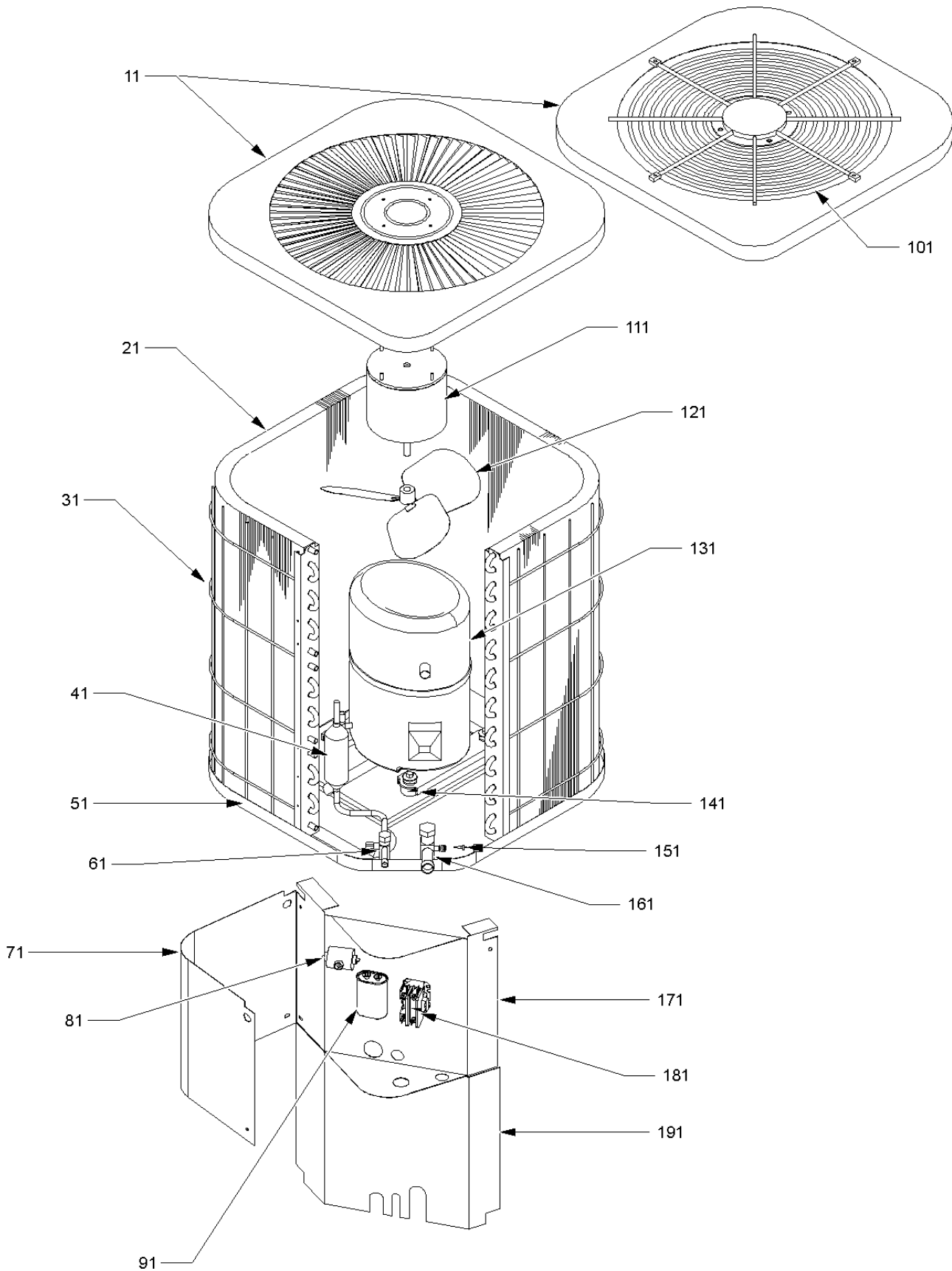
CAP050250370RSS	CAPACITOR 5/25/370V (M1)
CAP050300370RSS	CAPACITOR 5/30/370V (M2, M3)
CAP050350370RSS	CAPACITOR 5/35/370V (M4, M5)
CAP050400370RSS	CAPACITOR 5/40/370V (M7, M8)
CAP050400440RTS	CAPACITOR 5/40/440V (M6)
CAP050450370RSS	CAPACITOR 5/45/370V (M10, M11, M14, M15)
CAP050450440RTS	CAPACITOR 5/45/440V (M9, M12)
CAP050600370RTS	CAPACITOR 5/60/370V (M13)
CAP050800370RTS	CAPACITOR 5/80/370V (M16)
CR42K6PFV960	COMPRESSOR #H25A42QCBCA (M14, M15)
CR18K6PFV960	COMPRESSOR #H25B17QABCA (M1)
B9266832AS	COMPRESSOR #H29B20UABCA (M3)
B9266833AS	COMPRESSOR #H29B24UABCA (M2, M4, M5)
ZR34K3PFV930	COMPRESSOR 34400, 208/230/60/1 (M12)
ZR54K3PFV930	COMPRESSOR 55000, 208/230/60/1 (M16)
CR38K6PFV960	COMPRESSOR H25A38QCBCA (706349-1501-00) (M10, M13)
CR35K6PFV960	COMPRESSOR H27A32QCBCA (706920-1501-00) (M7)
CR35K6PFV960	COMPRESSOR H27B32QCBCA (707107-1501-00) (M8, M11)
ZR28K3PFV930	COMPRESSOR SQ026KAA (GOLDSTAR) (M6)
B9266367	COMPRESSOR SQ032KAA (GOLDSTAR) (M9)
0131M00007PS	COND MOTOR 1/4 HP, 1 SP, 8 PL (M4, M5, M6, M7, M8, M9, M10, M11, M12, M13, M14, M15, M16)
B13400251S	COND MOTOR 1/6 HP, 1 SP (M1)
0131M00009PS	COND MOTOR 1/6 HP, 1 SP, 8 PL (M2, M3)
CONT2P025024VS	CONTACTOR 25 AMP, 2P, 24V (M1, M2, M3, M4, M5, M6, M7, M8, M9, M10, M11, M12, M13, M14, M15)
CONT2P040024VS	CONTACTOR 40 AMP, 2P, 24V (M16)

M1 - CKJ18-1
M2 - CKJ24-1
M3 - CKJ24-1A
M4 - CKJ30-1*
M5 - CKJ30-1A
M6 - CKJ30-1D
M7 - CKJ36-1*
M8 - CKJ36-1A
M9 - CKJ36-1D
M10 - CKJ42-1*
M11 - CKJ42-1A*
M12 - CKJ42-1D
M13 - CKJ42-1T
M14 - CKJ48-1*
M15 - CKJ48-1A*
M16 - CKJ60-1

SPECIAL PARTS

RP-188J	REPAIR PARTS MANUAL
---------	---------------------

Replacement Parts List



Replacement Parts List

Ref. Part No:	No:	Description:	Ref. Part No:	No:	Description:
<i>Image 1:</i>			131	B9266833AS	COMPRESSOR #H29B24UABCA (M2, M4, M5)
11	1779405P	TOP PANEL (M1, M2, M3)	131	ZR34K3PFV930	COMPRESSOR 34400, 208/230/60/1 (M12)
11	1779412P	TOP PANEL (M13, M14, M15, M16)	131	ZR54K3PFV930	COMPRESSOR 55000, 208/230/60/1 (M16)
11	1779415P	TOP PANEL (M4, M5, M6, M7, M8, M9, M10, M11, M12)	131	CR38K6PFV960	COMPRESSOR H25A38QCBCA (706349-1501-00) (M10, M13)
21	1262103	TUBING ASSY, COND COIL (M1)	131	CR35K6PFV960	COMPRESSOR H27A32QCBCA (706920-1501-00) (M7)
21	1262105	TUBING ASSY, COND COIL (M2, M3)	131	CR35K6PFV960	COMPRESSOR H27B32QCBCA (707107-1501-00) (M8, M11)
21	1262107	TUBING ASSY, COND COIL (M4, M5, M6)	131	ZR28K3PFV930	COMPRESSOR SQ026KAA (GOLDSTAR) (M6)
21	1262108	TUBING ASSY, COND COIL (M7, M8, M9, M10, M11, M12)	131	B9266367	COMPRESSOR SQ032KAA (GOLDSTAR) (M9)
21	1262110	TUBING ASSY, COND COIL (M13, M14, M15)	141	B1339530	COMPRESSOR GROMMET (M1, M2, M3, M4, M5, M8)
21	1262112	TUBING ASSY, COND COIL (BOTTOM) (M16)	141	B1339533	COMPRESSOR GROMMET (M6, M7, M9, M10, M11, M12, M13, M14, M15, M16)
21	1264942	Dual Cond Coil Assy. Order Both Top and Bottom TUBING ASSY, COND COIL (TOP) (M16)	151	B1787000	VALVE CORE (QTY 2)
31	B1259625	INLET GRILLE 25" (M1, M4, M5, M6, M7, M8, M9, M10, M11, M12)	161	B1282566	3/4" SERVICE VALVE (M1, M2, M3, M4, M5, M6, M7, M8, M9)
31	B1259630	INLET GRILLE 30" (M2, M3, M13, M14, M15)	161	B12825167	7/8" SERVICE VALVE (M10, M11, M12, M13, M14, M15, M16)
31	B1259640	INLET GRILLE 40" (M16)	171	1787623	CONTROL BOX
41	B1219220	FILTER DRIER (M1, M2, M3, M4, M5, M7, M8, M10, M11, M13, M14, M15, M16)	181	CONT2P025024VS	CONTACTOR 25 AMP, 2P, 24V (M1, M2, M3, M4, M5, M6, M7, M8, M9, M10, M11, M12, M13, M14, M15)
41	B1219212	SINGLE-FLOW FILTER DRIER, STEEL (M6, M9, M12)	181	CONT2P040024VS	CONTACTOR 40 AMP, 2P, 24V (M16)
51	1787209P	FORMED BOTTOM PAN (M1, M2, M3)	191	1787707P	ACCESS PANEL 25" (M1, M4, M5, M6, M7, M8, M9, M10, M11, M12)
51	1787210P	FORMED BOTTOM PAN (M4, M5, M6, M7, M8, M9, M10, M11, M12, M13, M14, M15, M16)	191	1787709P	ACCESS PANEL 30" (M2, M3, M13, M14, M15)
61	20163801S	3/8" SERVICE VALVE	191	1787709P	ACCESS PANEL 30" (M13, M14, M15)
71	1787624P	CONTROL BOX COVER	191	1787718P	ACCESS PANEL 40" (M16)
81	B1141658	START ASSIST (M4, M5, M6, M7, M8, M9, M10, M11, M12, M13, M14, M15, M16)	NS	B1488800	COMPRESSOR SOUND BLANKET (M10)
91	CAP050250370RSS	CAPACITOR 5/25/370V (M1)	Expanded Model Nomenclature		
91	CAP050300370RSS	CAPACITOR 5/30/370V (M2, M3)	M1 - CKJ18-1		
91	CAP050350370RSS	CAPACITOR 5/35/370V (M4, M5)	M2 - CKJ24-1		
91	CAP050400370RSS	CAPACITOR 5/40/370V (M7, M8)	M3 - CKJ24-1A		
91	CAP050400440RTS	CAPACITOR 5/40/440V (M6)	M4 - CKJ30-1*		
91	CAP050450370RSS	CAPACITOR 5/45/370V (M10, M11, M14, M15)	M5 - CKJ30-1A		
91	CAP050450440RTS	CAPACITOR 5/45/440V (M9, M12)	M6 - CKJ30-1D		
91	CAP050600370RTS	CAPACITOR 5/60/370V (M13)	M7 - CKJ36-1*		
91	CAP050800370RTS	CAPACITOR 5/80/370V (M16)	M8 - CKJ36-1A		
101	B1376916	FAN GRILLE 22" (M13, M14, M15, M16)	M9 - CKJ36-1D		
111	0131M00007PS	COND MOTOR 1/4 HP, 1 SP, 8 PL (M4, M5, M6, M7, M8, M9, M10, M11, M12, M13, M14, M15, M16)	M10 - CKJ42-1*		
111	B13400251S	COND MOTOR 1/6 HP, 1 SP (M1)	M11 - CKJ42-1A*		
111	0131M00009PS	COND MOTOR 1/6 HP, 1 SP, 8 PL (M2, M3)	M12 - CKJ42-1D		
121	B1086756S	FAN BLADE 18" (M1, M2, M3)	M13 - CKJ42-1T		
121	B1086750S	FAN BLADE 22", 3 BLADE, 24° (M4, M5, M6, M7, M8, M9, M10, M11, M12, M13, M14, M15, M16)	M14 - CKJ48-1*		
131	CR42K6PFV960	COMPRESSOR #H25A42QCBCA (M14, M15)	M15 - CKJ48-1A*		
131	CR18K6PFV960	COMPRESSOR #H25B17QABCA (M1)	M16 - CKJ60-1		
131	B9266832AS	COMPRESSOR #H29B20UABCA (M3)			

