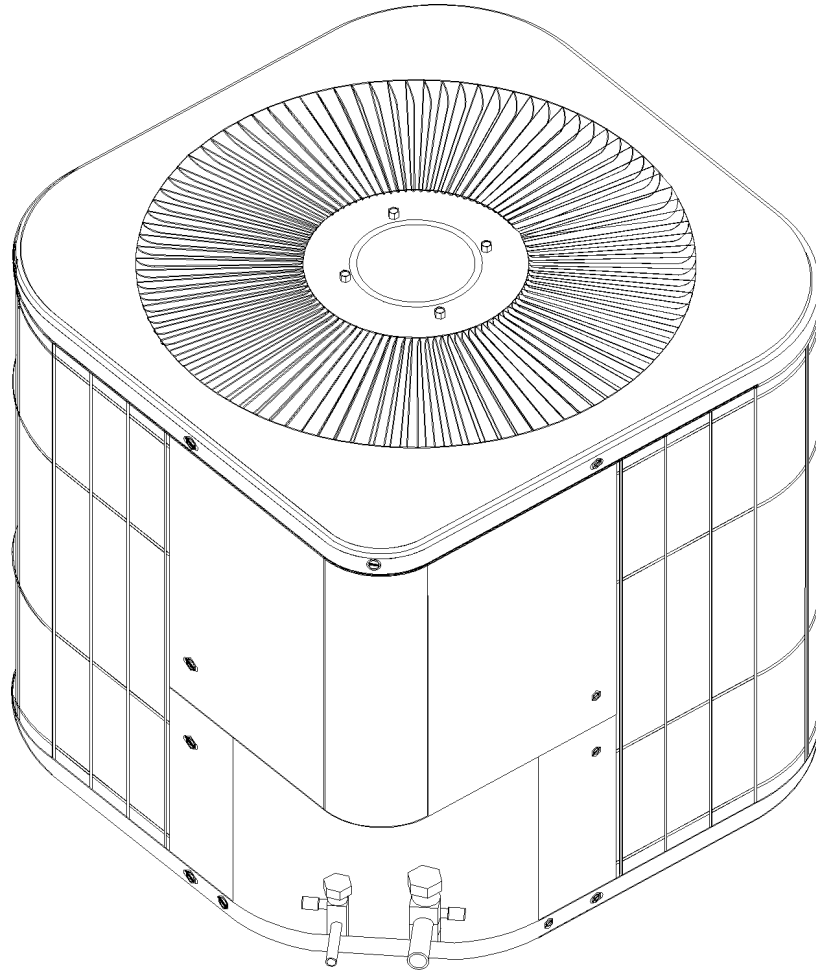


## CKH SERIES Condensing Units

CKH18-1B  
CKH24-1B  
CKH30-1B  
CKH36-1B  
CKH42-1C  
CKH48-1C  
CKH60-1B



This manual is to be used by qualified technicians only.

© 1996-2008 Goodman Manufacturing Company, L.P. ♦ 5151 San Felipe, Suite 500 ♦ Houston, TX 77056

# Important Information

---

## Index

Functional Parts List .....	3
Illustration and Parts .....	4 - 7

*Views shown are for parts illustrations only, not servicing procedures.*

### Text Codes:

AR - As Required

NA - Not Available

NS - Not Shown

00000000 - See Note

QTY - Quantity Example (QTY 3) (If Quantity not shown, Quantity = 1)

M - Model Example (M1) (If M Code not shown, then part is used on all Models)

### Expanded Model Nomenclature:

Example M1 - Model#1 M2 - Model#2 M3 - Model#3
---

Goodman Manufacturing Company, L.P. is not responsible for personal injury or property damage resulting from improper service. Review all service information before beginning repairs.

Warranty service must be performed by an authorized technician, using authorized factory parts. If service is required after the warranty expires, Goodman Manufacturing Company, L.P. also recommends contacting an authorized technician and using authorized factory parts.

Goodman Manufacturing Company, L.P. reserves the right to discontinue, or change at any time, specifications or designs without notice or without incurring obligations.

For assistance within the U.S.A. contact:  
Consumer Affairs Department  
Goodman Manufacturing Company, L.P.  
7401 Security Way  
Houston, Texas 77040  
877-254-4729-Telephone  
713-863-2382-Facsimile

For assistance outside the U.S.A. contact:  
International Division  
Goodman Manufacturing Company, L.P.  
7401 Security Way  
Houston, Texas 77040  
713-861-2500-Telephone  
713-863-2382-Facsimile

# Functional Parts

## Part

## No: Description:

---

B1226207	ACCUMULATOR (M7)
CAP050250370RSS	CAPACITOR 5/25/370V (M1)
CAP050350370RSS	CAPACITOR 5/35/370V (M2, M3)
CAP050400370RSS	CAPACITOR 5/40/370V (M4, M5)
CAP050400440RTS	CAPACITOR 5/40/440V (M6)
CAP050600370RTS	CAPACITOR 5/60/370V (M7)
CR30K6PFV960	COMPRESSOR 30000, 208/230/60/1 (M3)
CR35K6PFV960	COMPRESSOR 35000, 208/230/60/1 (M5)
CR42K6PFV960	COMPRESSOR 41900, 380/420/60/1 (M6)
B9266294AS	COMPRESSOR H23A563ABCA (M7)
B9266234AS	COMPRESSOR H23B153ABCA (M1)
B9266684A	COMPRESSOR H25B24QABCA (M2)
B9266640BS	COMPRESSOR H29B32UABCA (M4)
0131M00007PS	COND MOTOR 1/4 HP, 1 SP, 8 PL (M5, M6, M7)
B13400251S	COND MOTOR 1/6 HP, 1 SP (M1, M2, M3, M4)
CONT2P025024VS	CONTACTOR 25 AMP, 2P, 24V (M1, M2, M3, M4, M5, M6)
CONT2P030024VS	CONTACTOR 30 AMP, 2P, 24V (M7)
B1141658	START ASSIST (M7)

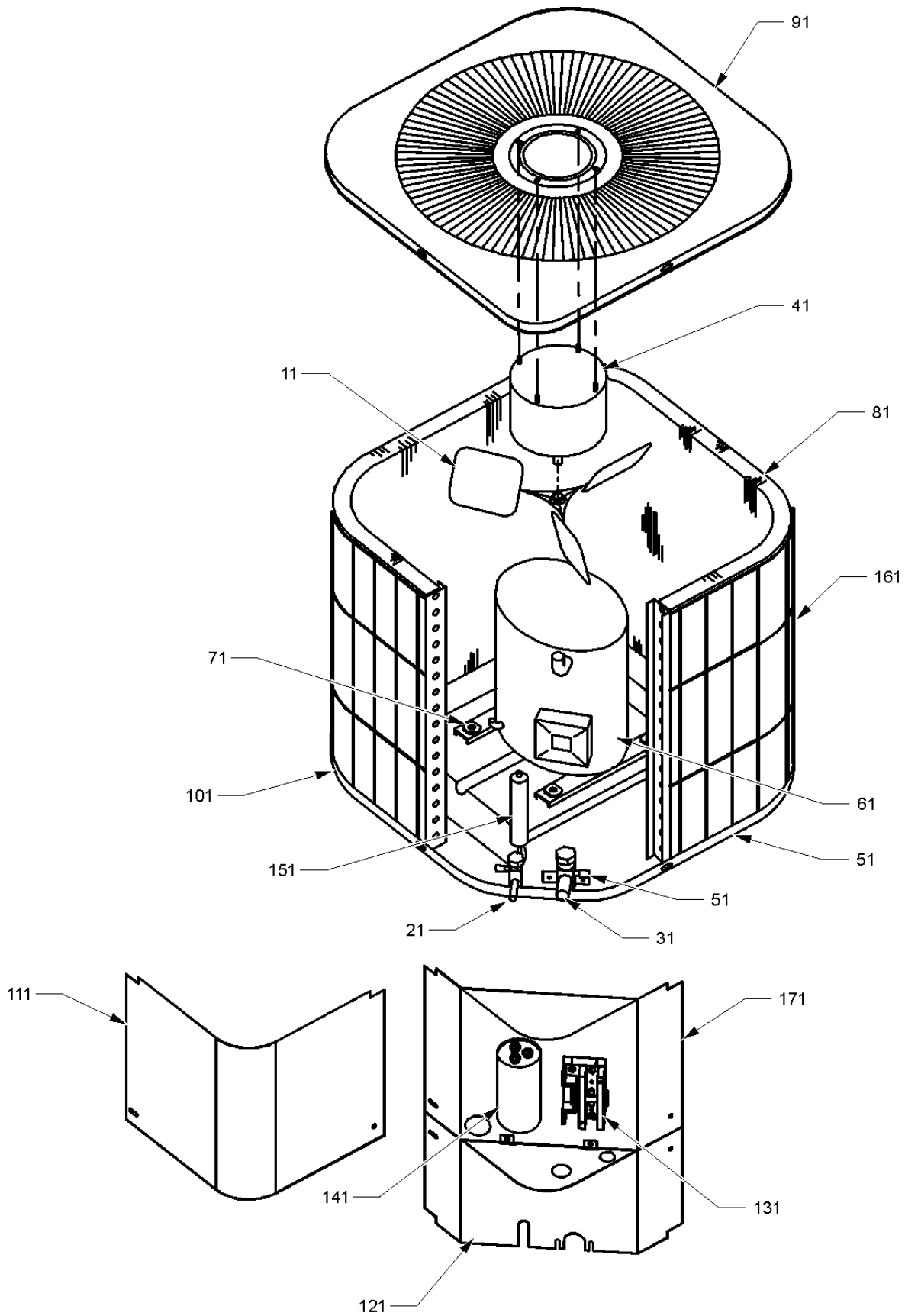
## SPECIAL PARTS

RP-187A REPAIR PARTS MANUAL

### Expanded Model Nomenclature

M1 - CKH18-1B
M2 - CKH24-1B
M3 - CKH30-1B
M4 - CKH36-1B
M5 - CKH42-1C
M6 - CKH48-1C
M7 - CKH60-1B

# Replacement Parts List



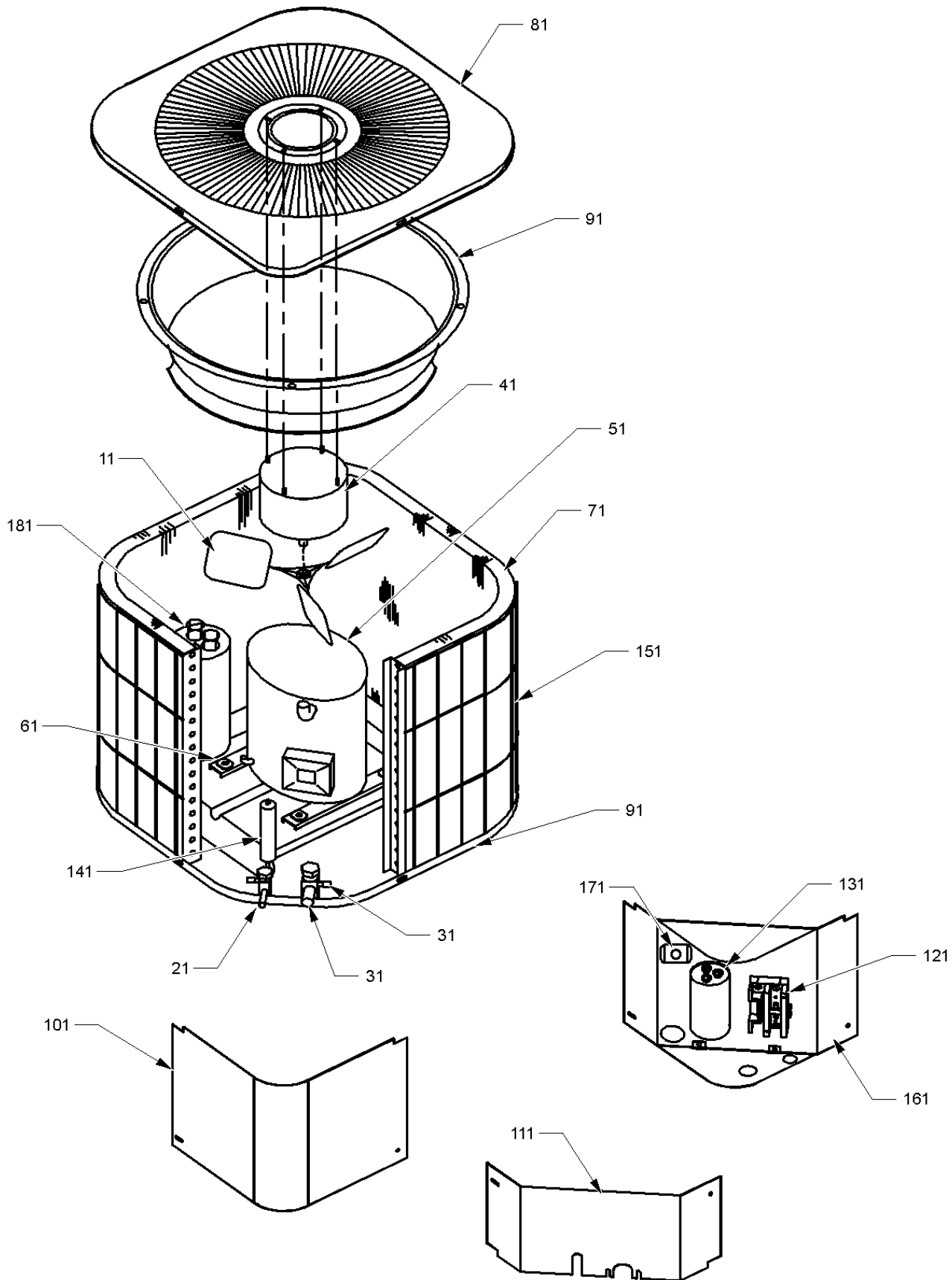
# Replacement Parts List

Ref. Part No:	No:	Description:	Ref. Part No:	No:	Description:
<i>Image 1:</i>					
11	B1086756S	FAN BLADE 18" 29° (M1, M2, M3, M4)			
21	20163801S	3/8" SERVICE VALVE (M1, M2, M3, M4)			
31	B1282566	3/4" SERVICE VALVE (M1, M2, M3, M4)			
41	B13400251S	COND MOTOR 1/6 HP, 1 SP (M1, M2, M3, M4)			
51	B1787000	VALVE CORE (M1, M2, M3, M4)			
61	CR30K6PFV960	COMPRESSOR 30000, 208/230/60/1 (M3)			
61	B9266234AS	COMPRESSOR H23B153ABCA (M1)			
61	B9266684A	COMPRESSOR H25B24QABCA (M2)			
61	B9266640BS	COMPRESSOR H29B32UABCA (M4)			
71	B1339530	COMPRESSOR GROMMET (M1, M2, M3, M4)			
81	1262103	TUBING ASSY, COND COIL (M1, M2)			
81	1262105	TUBING ASSY, COND COIL (M4)			
81	1264920	TUBING ASSY, COND COIL (OBSOLETE) (M3)			
91	1779405P	TOP PANEL (M1, M2, M3, M4)			
101	1787209P	FORMED BOTTOM PAN (M1, M2, M3, M4)			
111	1787624P	CONTROL BOX COVER (M1, M2, M3, M4)			
121	1787707P	ACCESS PANEL 25" (M1, M2)			
121	1787708P	ACCESS PANEL 27.5" (M3)			
121	1787709P	ACCESS PANEL 30" (M4, M5)			
131	CONT2P025024VS	CONTACTOR 25 AMP, 2P, 24V (M1, M2, M3, M4, M5)			
141	CAP050250370RSS	CAPACITOR 5/25/370V (M1)			
141	CAP050350370RSS	CAPACITOR 5/35/370V (M2, M3)			
141	CAP050400370RSS	CAPACITOR 5/40/370V (M4, M5)			
151	B1219220	FILTER DRIER (M1, M2, M3, M4)			
161	B1259525	INLET GRILLE 25" (OBSOLETE) (M1, M2)			
161	B1259527	INLET GRILLE 27.5" (M3)			
161	B1259530	INLET GRILLE 30" (OBSOLETE) (M4)			
171	1787623	CONTROL BOX PANEL (M1, M2, M3, M4)			

## Expanded Model Nomenclature

M1 - CKH18-1B
M2 - CKH24-1B
M3 - CKH30-1B
M4 - CKH36-1B
M5 - CKH42-1C
M6 - CKH48-1C
M7 - CKH60-1B

# Replacement Parts list



# Replacement Parts list

Ref. Part No:	No:	Description:	Ref. Part No:	No:	Description:
<i>Image 1:</i>					
11	B1086750S	FAN BLADE 22" 24° (M5, M6, M7)			
21	20163801	3/8" SERVICE VALVE (M5, M6, M7)			
31	B12825167	7/8" SERVICE VALVE (M5, M6, M7)			
41	0131M00007PS	COND MOTOR 1/4 HP, 1 SP, 8 PL (M5, M6, M7)			
51	CR35K6PFV960	COMPRESSOR 35000, 208/230/60/1 (M5)			
51	CR42K6PFV960	COMPRESSOR 41900, 380/420/60/1 (M6)			
51	B9266294AS	COMPRESSOR H23A563ABCA (M7)			
61	B1339530	COMPRESSOR GROMMET (M5, M6)			
61	B1339533	COMPRESSOR GROMMET (M7)			
71	1262108	TUBING ASSY, COND COIL (M5, M6)			
71	1264937	TUBING ASSY, COND COIL (OBSOLETE) (M7)			
81	1779415P	TOP PANEL (M5, M6, M7)			
91	1787210P	FORMED BOTTOM PAN (M5, M6, M7)			
101	1787624P	CONTROL BOX COVER (M5, M6, M7)			
111	1787707P	ACCESS PANEL 25" (M5, M6)			
111	1787717P	ACCESS PANEL 37.5" (M7)			
121	CONT2P025024VS	CONTACTOR 25 AMP, 2P, 24V (M5, M6)			
121	CONT2P030024VS	CONTACTOR 30 AMP, 2P, 24V (M7)			
131	CAP050400370RSS	CAPACITOR 5/40/370V (M5)			
131	CAP050400440RTS	CAPACITOR 5/40/440V (M6)			
131	CAP050600370RTS	CAPACITOR 5/60/370V (M7)			
141	B1219220	FILTER DRIER (M5, M6, M7)			
151	B1259625	INLET GRILLE 25" (OBSOLETE) (M5, M6)			
151	B1259637	INLET GRILLE 37.5" (M7)			
161	1787623	CONTROL BOX PANEL (M5, M6, M7)			
171	B1141658	START ASSIST (M7)			
181	B1226207	ACCUMULATOR (M7)			

## Expanded Model Nomenclature

- M1 - CKH18-1B
- M2 - CKH24-1B
- M3 - CKH30-1B
- M4 - CKH36-1B
- M5 - CKH42-1C
- M6 - CKH48-1C
- M7 - CKH60-1B

