

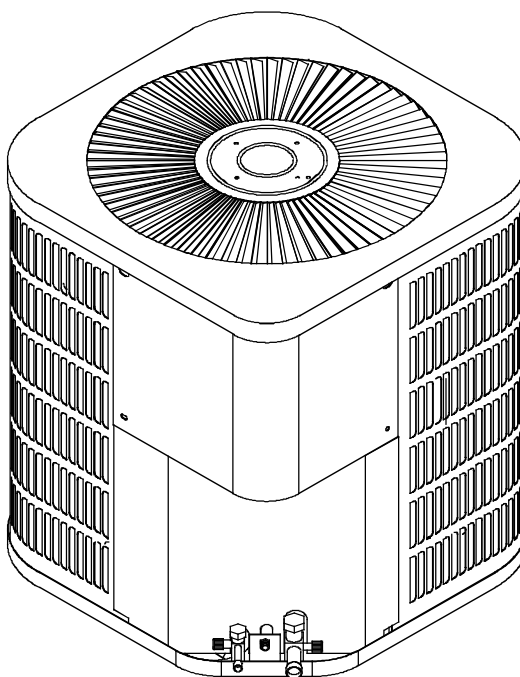


# REPAIR PARTS

---

## CKF\*L 50 hz Remote Cooling Units, Gray Color Models

CKF36-2LB  
CKF36-5LB  
CKF48-5LB  
CKF60-5LB  
CKF70-5LB



Made in the USA by:  
Goodman Manufacturing Company, L.P.  
2550 North Loop West, Suite 400  
Houston Texas 77092

RP - 332A  
November 2004

This manual replaces RP-332

## Important Information

---

Goodman Manufacturing Company, L.P. is not responsible for personal injury or property damage resulting from improper service. Review all service information before beginning repairs.

Warranty service must be performed by an authorized technician, using authorized factory parts. If service is required after the warranty expires, Goodman Manufacturing Company, L.P. also recommends contacting an authorized technician and using authorized factory parts.

For assistance within the U.S.A. contact:  
Consumer Affairs Department  
Goodman Manufacturing Company, L.P.  
7401 Security Way  
Houston, Texas 77040  
877-254-4729-Telephone  
713-863-2382-Facsimile

For assistance outside the U.S.A. contact:  
International Division  
Goodman Manufacturing Company, L.P.  
7401 Security Way  
Houston, Texas 77040  
713-861-2500-Telephone  
713-863-2382-Facsimile

# Index

Functional Parts List .....	5
Illustration and Parts .....	6 - 7

*Views shown are for parts illustrations only, not servicing procedure*

Revision A: Corrects Part number from 1878709PDG to 1787709PDG.

### Text Codes:

AR - As Required

NA - Not Available

NS - Not Shown

00000000 - See Note

QTY - Quantity Example (QTY 3) (If Quantity not shown, Quantity = 1)

M - Model Example (M1) (If M Code not shown, then part is used on all Models)

### Expanded Model Nomenclature:

Example M1 - Model#1 M2 - Model#2 M3 - Model#3
---

THIS PAGE LEFT BLANK INTENTIONALLY

# Functional Parts

## Part

## No: Description:

---

B1226207	ACCUMULATOR, 7/8" O.D. (M4, M5)
B945650	CAPACITOR, 5/370 (M2, M3, M4, M5)
B94575700	CAPACITOR, 50/5/440 (M1)
CR41KQPFT980WB	COMPRESSOR, CR41KQ-PFT-240AA (M1)
CR41KQTFD980WB	COMPRESSOR, CR41KQ-TFD-240AA (M2)
CR47KQTFD980WB	COMPRESSOR, CR47KQ-TFD-240AA (M3)
CRN50500TFD970	COMPRESSOR, CRN5-0500-TFD-270 (M4)
ZR72KCTFD930	COMPRESSOR, ZR72KC-TFD-230 (M5)
1262103	CRATED CONDENSER SERVICE COIL W/DRIER (M1, M2)
1262108	CRATED CONDENSER SERVICE COIL W/DRIER (M3)
1262110	CRATED CONDENSER SERVICE COIL W/DRIER (M4)
1262118	CRATED CONDENSER SERVICE COIL W/DRIER (M5)
B1219225	DRIER, FILTER
B13400500	MOTOR, CONDENSER, FAN, 220/240-50-1, 1/4 HP, 950 RPM (M1)
B13400249	MOTOR, CONDENSER, FAN, 380/460-50/60-1, 1/3 HP, 950/1050 RPM (M5)
B13400269	MOTOR, CONDENSER, FAN, 380/460-50/60-1, 1/4 HP, 950/1050 RPM (M2, M3, M4)
B1360713	SWITCH, HIGH PRESSURE
B1370772	TIME DELAY, 180 SECONDS

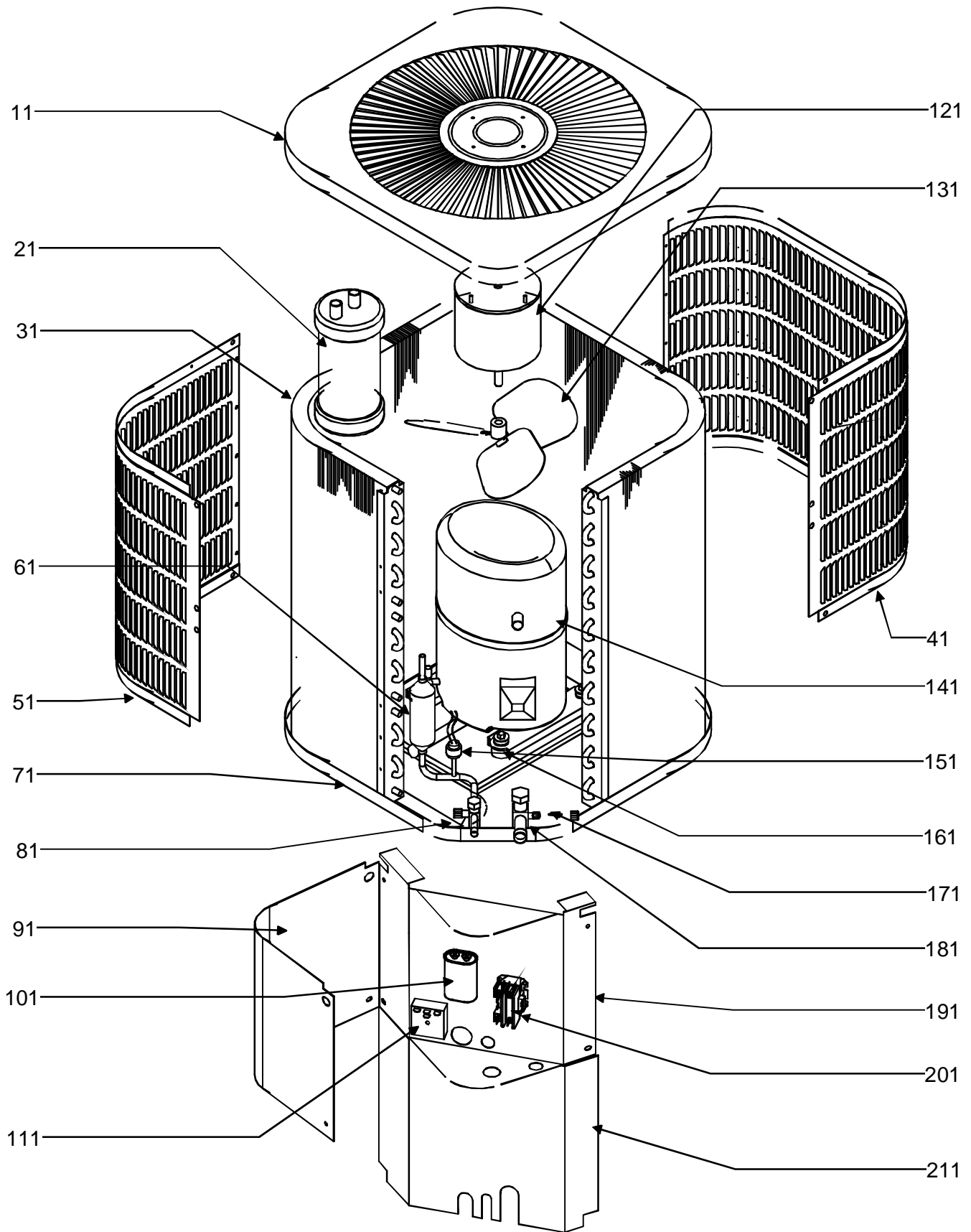
### SPECIAL PARTS

IO-101	MANUAL, INSTALLATION AND OPERATION
RP-332	MANUAL, REPAIR PARTS
SS-229	SPECIFICATION SHEET
B260S8292	SPRAY PAINT, TOUCH-UP, DARK GRAY

### Expanded Model Nomenclature

M1 - CKF36-2LB
M2 - CKF36-5LB
M3 - CKF48-5LB
M4 - CKF60-5LB
M5 - CKF70-5LB

# Chassis



# Chassis

**Ref. Part  
No: No:**

**Description:**

**Ref. Part  
No: No:**

**Description:**

*Image 1:*

11	1779406PDG	PANEL, TOP, LOUVERED, LRG (M3, M4, M5)
11	1779405PDG	PANEL, TOP, LOUVERED, MED. (M1, M2)
21	B1226207	ACCUMULATOR, 7/8" O.D. (M4, M5)
31	1262103	CRATED CONDENSER SERVICE COIL W/DRIER (M1, M2)
31	1262108	CRATED CONDENSER SERVICE COIL W/DRIER (M3)
31	1262110	CRATED CONDENSER SERVICE COIL W/DRIER (M4)
31	1262118	CRATED CONDENSER SERVICE COIL W/DRIER (M5)
41	1259551PDG	LOUVER PANEL, HAIRPIN SIDE, 25.0" (M1, M2)
41	1259560PDG	LOUVER PANEL, HAIRPIN SIDE, 25.0" (M3)
41	1259561PDG	LOUVER PANEL, HAIRPIN SIDE, 30.0" (M4)
41	1259562PDG	LOUVER PANEL, HAIRPIN SIDE, 37.5" (M5)
51	1259556PDG	LOUVER PANEL, RETURN SIDE, 25.0" (M1, M2)
51	1259564PDG	LOUVER PANEL, RETURN SIDE, 25.0" (M3)
51	1259565PDG	LOUVER PANEL, RETURN SIDE, 30.0" (M4)
51	1259566PDG	LOUVER PANEL, RETURN SIDE. 37.5" (M5)
61	B1219225	DRIER, FILTER
71	1787212PDG	PAN, BOTTOM, LARGE (M3, M4, M5)
71	1787211PDG	PAN, BOTTOM, SMALL (M1, M2)
81	B1282580	VALVE, BASE, LIQUID LINE, 3/8"
91	1787624PDG	CONTROL BOX COVER
101	B945650	CAPACITOR, 5/370 (M2, M3, M4, M5)
101	B94575700	CAPACITOR, 50/5/440 (M1)
111	B1370772	TIME DELAY, 180 SECONDS
121	B13400500	MOTOR, CONDENSER, FAN, 220/240-50-1, 1/4 HP, 950 RPM (M1)
121	B13400249	MOTOR, CONDENSER, FAN, 380/460-50/60-1, 1/3 HP, 950/1050 RPM (M5)
121	B13400269	MOTOR, CONDENSER, FAN, 380/460-50/60-1, 1/4 HP, 950/1050 RPM (M2, M3, M4)
131	B1086771S	FAN, 3 BLADE, 18.0" DIA., 32° PITCH (M1, M2)
131	B1086770S	FAN, 3 BLADE, 22.0" DIA., 19° PITCH (M3)
131	B1086750S	FAN, 3 BLADE, 22.0" DIA., 24° PITCH (M4)
131	B1086748S	FAN, 3 BLADE, 22.0" DIA., 30° PITCH (M5)
141	CR41KQPFT980WB	COMPRESSOR, CR41KQ-PFT-240AA (M1)
141	CR41KQTFD980WB	COMPRESSOR, CR41KQ-TFD-240AA (M2)
141	CR47KQTFD980WB	COMPRESSOR, CR47KQ-TFD-240AA (M3)
141	CRN50500TFD970	COMPRESSOR, CRN5-0500-TFD-270 (M4)
141	ZR72KCTFD930	COMPRESSOR, ZR72KC-TFD-230 (M5)
151	B1360713	SWITCH, HIGH PRESSURE
161	B1339530	GROMMET, COMPRESSOR (M1, M2, M3)
161	B1339533	GROMMET, COMPRESSOR (M4, M5)
171	B1787000	CORE, VALVE
181	B1282581	VALVE, BASE, SUCTION LINE, 3/4" X 3/4" SWEAT (M1, M2)
181	B1282582	VALVE, BASE, SUCTION LINE, 7/8" X 7/8" SWEAT (M3, M4, M5)
191	1787623	CONTROL BOX
201	B1360321	CONTACTOR, 25 AMP, 1 POLE (M1)
201	B1360315	CONTACTOR, 40 AMP, 3 POLE (M2, M3, M4, M5)
211	1787707PDG	PANEL ACCESS, 25.0" (M1, M2, M3)
211	1787709PDG	PANEL ACCESS, 30.0" (M4)

211	1787717PDG	PANEL ACCESS, 37.5" (M5)
NS	B260S8292	SPRAY PAINT, TOUCH-UP, DARK GRAY

Expanded Model Nomenclature

M1 - CKF36-2LB
M2 - CKF36-5LB
M3 - CKF48-5LB
M4 - CKF60-5LB
M5 - CKF70-5LB