



# REPAIR PARTS

---

## CJ SERIES Condensing Units

CJ18-1P  
CJ24-1AB  
CJ24-1C  
CJ30-1AB  
CJ30-1C  
CJ36-1C  
CJ36-1GB  
CJ42-1HB  
CJ48-1C  
CJ48-1GB  
CJ60-1C  
CJ60-1FB

This manual is to be used by qualified technicians only.

This manual replaces RP-145 and RP-145A.

© 1990-2008 Goodman Manufacturing Company, L.P. ♦ 5151 San Felipe, Suite 500 ♦ Houston, TX 77056

# Important Information

---

## Index

Functional Parts List .....	3
Illustration and Parts .....	4 - 7

*Views shown are for parts illustrations only, not servicing procedures.*

Added models CJ24-1AB, CJ30-1AB, CJ36-1GB, CJ42-1HB, CJ48-1HB, CJ60-1FB.

### Text Codes:

AR - As Required

NA - Not Available

NS - Not Shown

00000000 - See Note

QTY - Quantity Example (QTY 3) (If Quantity not shown, Quantity = 1)

M - Model Example (M1) (If M Code not shown, then part is used on all Models)

### Expanded Model Nomenclature:

Example M1 - Model#1 M2 - Model#2 M3 - Model#3
---

Goodman Manufacturing Company, L.P. is not responsible for personal injury or property damage resulting from improper service. Review all service information before beginning repairs.

Warranty service must be performed by an authorized technician, using authorized factory parts. If service is required after the warranty expires, Goodman Manufacturing Company, L.P. also recommends contacting an authorized technician and using authorized factory parts.

Goodman Manufacturing Company, L.P. reserves the right to discontinue, or change at any time, specifications or designs without notice or without incurring obligations. RP-522

For assistance within the U.S.A. contact:  
Consumer Affairs Department  
Goodman Manufacturing Company, L.P.  
7401 Security Way  
Houston, Texas 77040  
877-254-4729-Telephone  
713-863-2382-Facsimile

For assistance outside the U.S.A. contact:  
International Division  
Goodman Manufacturing Company, L.P.  
7401 Security Way  
Houston, Texas 77040  
713-861-2500-Telephone  
713-863-2382-Facsimile

# Functional Parts

## Part

## No: Description:

---

CAP050300370RSS	CAPACITOR 5/30/370V (M2, M3)
CAP050350370RSS	CAPACITOR 5/35/370V (M1, M4, M5)
CAP050400370RSS	CAPACITOR 5/40/370V (M7, M8)
CAP050450370RSS	CAPACITOR 5/45/370V (M10)
CAP050600370RTS	CAPACITOR 5/60/370V (M12)
B9266226	COMPRESSOR #2K22S3R236U-6C (M1)
CR42K6PFV960	COMPRESSOR #H25A423CBCA (M10)
B9266661	COMPRESSOR #H25A503CBCA (M12)
CR20K6PFV960	COMPRESSOR #H25B203ABCA (M2)
CR28K6PFV960	COMPRESSOR #H26B26QCBCA (M4)
ZR24K4PFV930	COMPRESSOR 24000, 208/230/60/1 (M3)
ZR28K3PFV930	COMPRESSOR 28500, 208/230/60/1 (M5)
ZR34K3PFV930	COMPRESSOR 34400, 208/230/60/1 (M6)
ZR40K3PFV930	COMPRESSOR 40600, 208/230/60/1 (M9)
ZR48K3PFV935	COMPRESSOR 49800, 208/230/60/1 (M11)
CR35K6PFV960	COMPRESSOR H27B32QCBCA (M7, M8)
0131M00008PS	COND MOTOR 1/3 HP, 1 SP, 6 PL (M9, M11)
0131M00007PS	COND MOTOR 1/4 HP, 1 SP, 8 PL (M6, M7, M10, M12)
B13400251S	COND MOTOR 1/6 HP, 1 SP (M2, M3, M4, M5)
0131M00009PS	COND MOTOR 1/6 HP, 1 SP (M1, M8)
CONT2P025024VS	CONTACTOR 25 AMP, 2P, 24V (M1, M2, M3, M4, M5, M6, M7, M8, M9, M10)
CONT2P030024VS	CONTACTOR 30 AMP, 2P, 24V (M11, M12)
B1141658	START ASSIST 10 OHMS (M4, M7, M8, M10, M12)
B1370760	TIME DELAY 30 SEC, 24V (M3, M5)

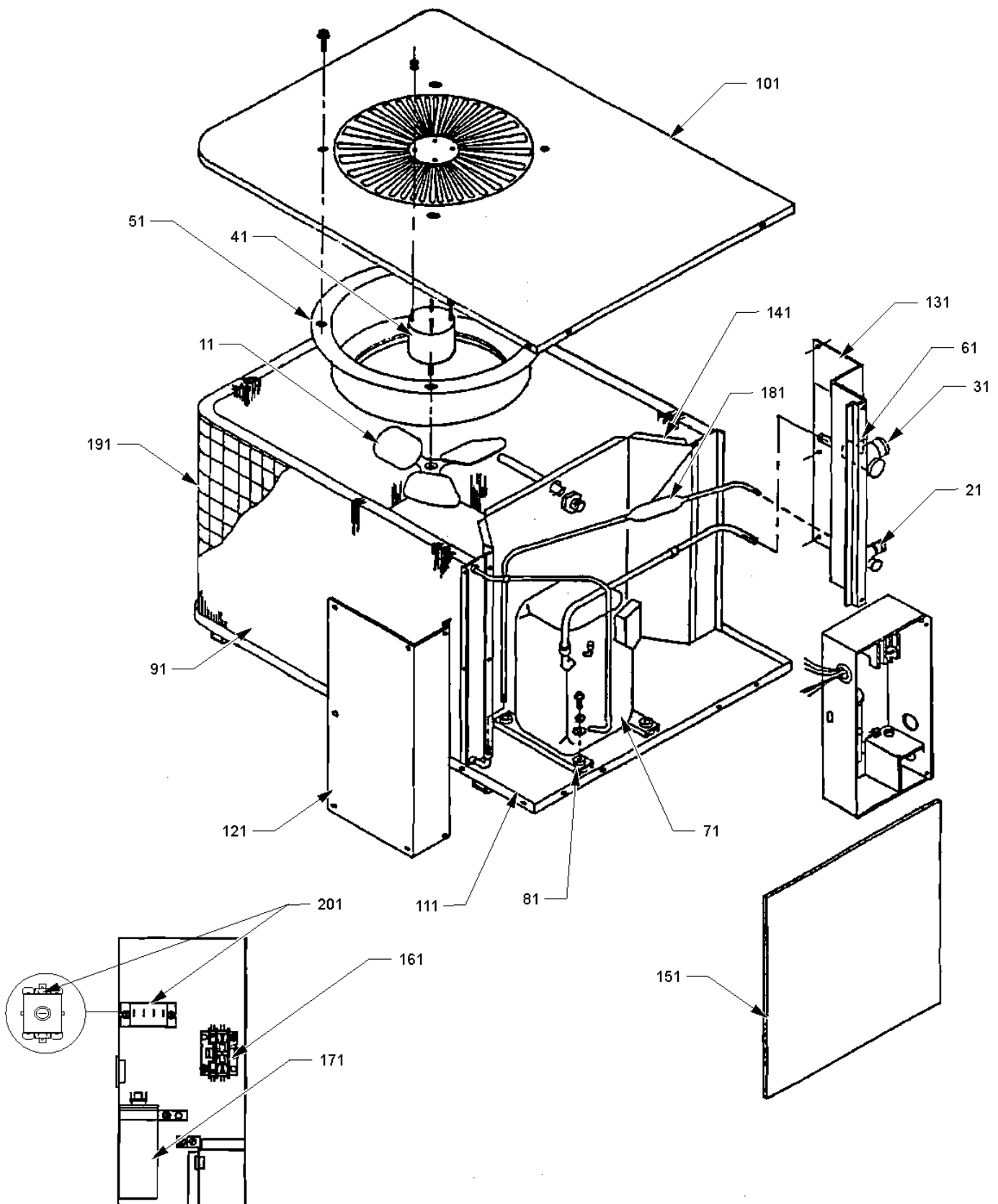
## SPECIAL PARTS

RP-522 REPAIR PARTS MANUAL

### Expanded Model Nomenclature

M1 - CJ18-1P
M2 - CJ24-1AB
M3 - CJ24-1C
M4 - CJ30-1AB
M5 - CJ30-1C
M6 - CJ36-1C
M7 - CJ36-1GB
M8 - CJ42-1HB
M9 - CJ48-1C
M10 - CJ48-1GB
M11 - CJ60-1C
M12 - CJ60-1FB

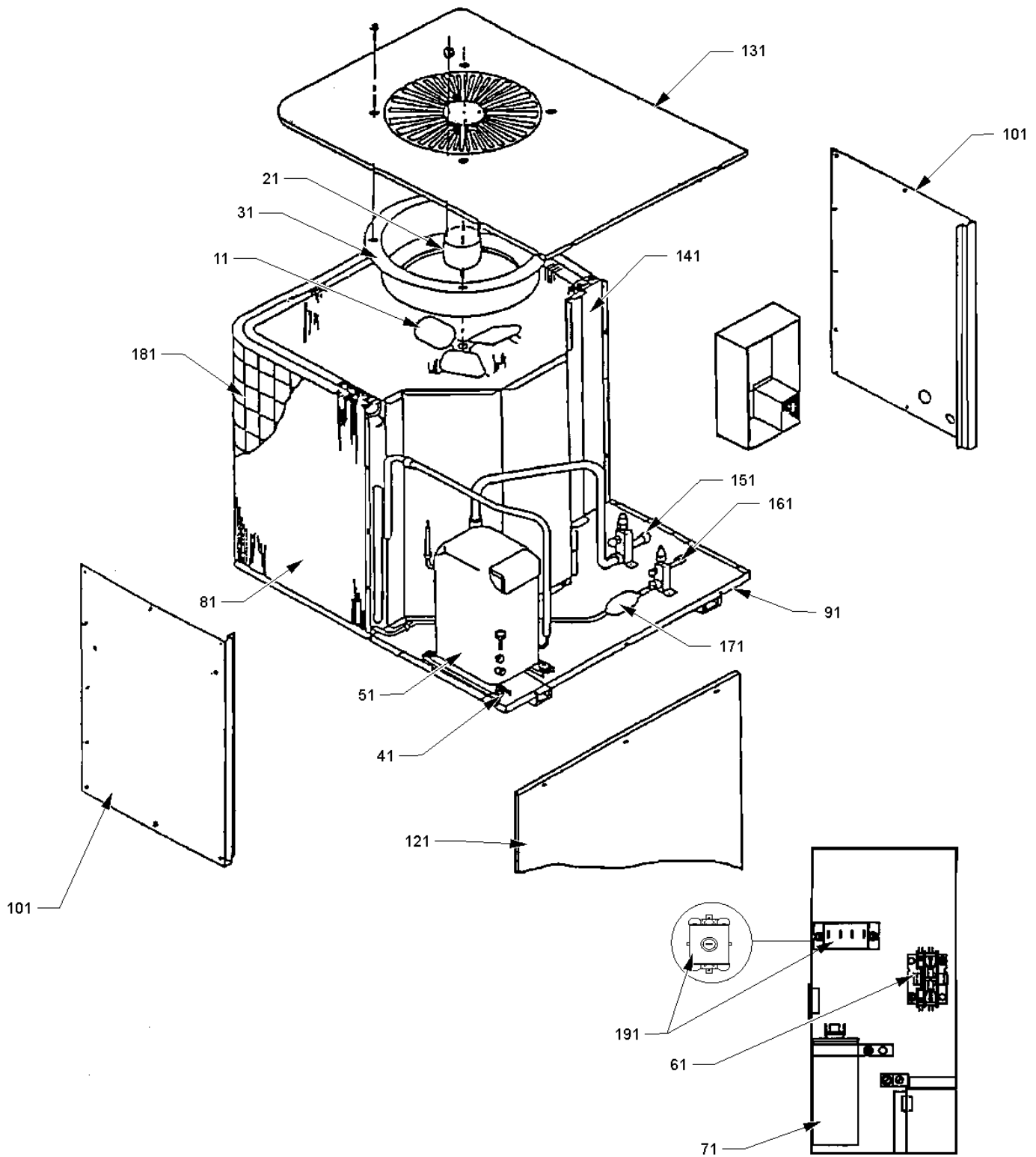
# Replacement Parts List



# Replacement Parts List

Ref. Part No:	No:	Description:	Ref. Part No:	No:	Description:
<i>Image 1:</i>			Expanded Model Nomenclature		
11	B1086756S	FAN BLADE 18" (M1, M2, M3, M4, M5)	M1	-	CJ18-1P
21	20163801S	3/8" SERVICE VALVE (M1, M2, M3, M4, M5)	M2	-	CJ24-1AB
31	B1282566	3/4" SERVICE VALVE (M2, M3, M4, M5)	M3	-	CJ24-1C
31	B1282573	5/8" SERVICE VALVE (M1)	M4	-	CJ30-1AB
41	B13400251S	COND MOTOR 1/6 HP, 1 SP (M2, M3, M4, M5)	M5	-	CJ30-1C
41	0131M00009PS	COND MOTOR 1/6 HP, 1 SP, 8 PL (M1)	M6	-	CJ36-1C
51	B1787810	VENTURI RING (M1, M2, M3, M4, M5)	M7	-	CJ36-1GB
61	B1787000	VALVE CORE (M1, M2, M3, M4, M5)	M8	-	CJ42-1HB
71	B9266226	COMPRESSOR #2K22S3R236U-6C (M1)	M9	-	CJ48-1C
71	CR20K6PFV960	COMPRESSOR #H25B203ABCA (M2)	M10	-	CJ48-1GB
71	CR28K6PFV960	COMPRESSOR #H26B26QCBCA (M4)	M11	-	CJ60-1C
71	ZR24K4PFV930	COMPRESSOR 24000, 208/230/60/1 (M3)	M12	-	CJ60-1FB
71	ZR28K3PFV930	COMPRESSOR 28500, 208/230/60/1 (M5)			
81	B1339530	COMPRESSOR GROMMET (M2, M4)			
81	B1339533	COMPRESSOR GROMMET (M3, M5)			
81	B1339538	COMPRESSOR GROMMET (M1)			
91	1264806	TUBING ASSY, COND COIL (M3)			
91	1264807	TUBING ASSY, COND COIL (M1, M2, M4, M5)			
101	1779403P	TOP PANEL (M1, M2, M3, M4, M5)			
111	1787208P	BOTTOM PAN (M1, M2, M3, M4, M5)			
121	1787302P	LEFT CORNER PANEL 25" (M3)			
121	1787303P	LEFT CORNER PANEL 30" (M1, M2, M4, M5)			
131	1787423P	RIGHT CORNER PANEL 25" (M3)			
131	1787424P	RIGHT CORNER PANEL 30" (M1, M2, M4, M5)			
141	1787502	PARTITION PANEL 25" (M3)			
141	1787503	PARTITION PANEL 30" (M1, M2, M4, M5)			
151	1787702P	ACCESS PANEL 25" (M3)			
151	1787703P	ACCESS PANEL 30" (M1, M2, M4, M5)			
161	CONT2P025024VS	CONTACTOR 25 AMP, 1P, 24V (M1, M2, M3, M4, M5)			
171	CAP050300370RSS	CAPACITOR 5/30/370V (M2, M3)			
171	CAP050350370RSS	CAPACITOR 5/35/370V (M1, M4, M5)			
181	B1219220	FILTER DRIER (M1, M2, M3, M4, M5)			
191	1259325P	INLET GRILLE 25" (M3)			
191	1259330P	INLET GRILLE 30" (M5)			
191	B1259330	INLET GRILLE 30" (M1, M2, M4)			
201	B1141658	START ASSIST 10 OHMS (M4)			
201	B1370760	TIME DELAY 30 SEC, 24V (M3, M5)			

# Replacement Parts List



# Replacement Parts List

Ref. Part No:	No:	Description:	Ref. Part No:	No:	Description:
<i>Image 1:</i>			Expanded Model Nomenclature		
11	B1086748	FAN BLADE 22" 30° (M9, M11)	M1	-	CJ18-1P
11	B1086750S	FAN BLADE 22", 3 BLADE, 24° (M6, M7, M8, M10, M12)	M2	-	CJ24-1AB
21	0131M00008PS	COND MOTOR 1/3 HP, 1 SP, 6 PL (M9, M11)	M3	-	CJ24-1C
21	0131M00007PS	COND MOTOR 1/4 HP, 1 SP, 8 PL (M6, M7, M10, M12)	M4	-	CJ30-1AB
21	0131M00009PS	COND MOTOR 1/6 HP, 1 SP (M8)	M5	-	CJ30-1C
31	1787811	VENTURI RING (M6, M7, M8, M9, M10, M11, M12)	M6	-	CJ36-1C
41	B1339530	COMPRESSOR GROMMET (M8)	M7	-	CJ36-1GB
41	B1339533	COMPRESSOR GROMMET (M6, M7, M9, M10, M11, M12)	M8	-	CJ42-1HB
51	CR42K6PFV960	COMPRESSOR #H25A423CBCA (M10)	M9	-	CJ48-1C
51	B9266661	COMPRESSOR #H25A503CBCA (M12)	M10	-	CJ48-1GB
51	ZR34K3PFV930	COMPRESSOR 34400, 208/230/60/1 (M6)	M11	-	CJ60-1C
51	ZR40K3PFV930	COMPRESSOR 40600, 208/230/60/1 (M9)	M12	-	CJ60-1FB
51	ZR48K3PFV935	COMPRESSOR 49800, 208/230/60/1 (M11)			
51	CR35K6PFV960	COMPRESSOR H27B32QCBCA (M7, M8)			
61	CONT2P025024VS	CONTACTOR 25 AMP, 1P, 24V (M6, M7, M8, M9, M10)			
61	CONT2P030024VS	CONTACTOR 30 AMP, 2P, 24V (M11, M12)			
71	CAP050400370RSS	CAPACITOR 5/40/370V (M7, M8)			
71	CAP050450370RSS	CAPACITOR 5/45/370V (M10)			
71	CAP050600370RTS	CAPACITOR 5/60/370V (M12)			
81	1262310	TUBING ASSY, COND COIL (M8)			
81	1264903	TUBING ASSY, COND COIL (M7)			
81	1264910	TUBING ASSY, COND COIL (M10)			
81	1264916	TUBING ASSY, COND COIL (M12)			
91	1779107P	BOTTOM PAN (M7, M8, M10, M12)			
101	1779240P	CORNER PANEL 40" (M10, M12)			
101	1779232P	SIDE PANEL 32.5" (M7, M8)			
121	1779304P	ACCESS PANEL 32.5" (M7, M8)			
121	1779305P	ACCESS PANEL 40" (M10, M12)			
131	1779404P	TOP PANEL (M7, M8, M10, M12)			
141	1779532	PARTITION PANEL 32.5" (M7, M8)			
141	1779540	PARTITION PANEL 40" (M10, M12)			
151	B1282543	7/8" SERVICE VALVE (M7, M8, M10, M12)			
161	20163801	3/8" SERVICE VALVE (M7, M8, M10, M12)			
171	B1219220	FILTER DRIER (M7, M8, M10, M12)			
181	B1259432	INLET GRILLE 32.6" (M7, M8)			
181	B1259440	INLET GRILLE 40" (M10, M12)			
191	B1141658	START ASSIST 10 OHMS (M7, M8, M10, M12)			

