



REPAIR PARTS

CE SERIES Condensing Units

CE12-1AP
CE18-1B
CE19-1AB
CE19-1C
CE19-1EB
CE24-1B
CE25-1AB
CE25-1AC
CE25-1C
CE25-1EB
CE30-1AB
CE30-1AC
CE30-1B
CE30-1C
CE30-1GB
CE30-1HB
CE36-1AB
CE36-1AC
CE36-1C
CE36-1GB
CE36-3B
CE42-1C
CE42-1GB
CE48-1C
CE60-1C

This manual is to be used by qualified technicians only.

This manual replaces RP-103.

© 1987-2008 Goodman Manufacturing Company, L.P. ♦ 5151 San Felipe, Suite 500 ♦ Houston, TX 77056

Important Information

Index

Functional Parts List	3
Illustration and Parts	4 - 7

Views shown are for parts illustrations only, not servicing procedures.

Rev. A: Added models CE18-1B, CE19-1C, CE19-1AB, CE24-1B, CE25-1C, CE25-1AB, CE25-1AC, CE30-1B, CE30-1C, CE30-1AB, CE30-1AC, CE36-1C, CE36-1AB, CE36-1AC, CE42-1C, CE48-1C, CE60-1C.

Text Codes:

AR - As Required

NA - Not Available

NS - Not Shown

00000000 - See Note

QTY - Quantity Example (QTY 3) (If Quantity not shown, Quantity = 1)

M - Model Example (M1) (If M Code not shown, then part is used on all Models)

Expanded Model Nomenclature:

Example M1 - Model#1 M2 - Model#2 M3 - Model#3

Goodman Manufacturing Company, L.P. is not responsible for personal injury or property damage resulting from improper service. Review all service information before beginning repairs.

Warranty service must be performed by an authorized technician, using authorized factory parts. If service is required after the warranty expires, Goodman Manufacturing Company, L.P. also recommends contacting an authorized technician and using authorized factory parts.

Goodman Manufacturing Company, L.P. reserves the right to discontinue, or change at any time, specifications or designs without notice or without incurring obligations.

For assistance within the U.S.A. contact:
Consumer Affairs Department
Goodman Manufacturing Company, L.P.
7401 Security Way
Houston, Texas 77040
877-254-4729-Telephone
713-863-2382-Facsimile

For assistance outside the U.S.A. contact:
International Division
Goodman Manufacturing Company, L.P.
7401 Security Way
Houston, Texas 77040
713-861-2500-Telephone
713-863-2382-Facsimile

Functional Parts

Part

No: Description:

Part No:	Description:
CAP050200370RSS	CAPACITOR 5/20/370V (M2)
CAP050250370RSS	CAPACITOR 5/25/370V (M3, M4, M5)
CAP050300370RSS	CAPACITOR 5/30/370V (M7, M8, M9, M10)
CAP050350370RSS	CAPACITOR 5/35/370V (M6, M11, M12, M13, M14, M15, M18, M19)
CAP050350440RSS	CAPACITOR 5/35/440V
CAP050000370VAS	CAPACITOR 5/370V (M21)
CAP050400370RSS	CAPACITOR 5/40/370V (M1, M16, M17, M22)
CAP050400440RTS	CAPACITOR 5/40/440V (M23, M24)
CAP050500440RTS	CAPACITOR 5/40/440V (M25)
CAP050450370RSS	CAPACITOR 5/45/370V (M20)
B9266406	COMPRESSOR #2K20S3R236U-6C (M1)
B9266322	COMPRESSOR #CRC40175PFV230 (M8)
B9266314	COMPRESSOR #CRE20225PFV272 (M14)
B9266315	COMPRESSOR #CRF20250PFV270 (M19)
B9266325	COMPRESSOR #CRF40250PFV230 (M18)
B9266301	COMPRESSOR #CRH30275PFV270 (M22)
B9266303	COMPRESSOR #CRK30325PRV270 (M24)
B9266304	COMPRESSOR #CRL30350PFV270 (M25)
B9266274	COMPRESSOR #H21A293ABCA
B9266275	COMPRESSOR #H21A373ABCA
B9266276	COMPRESSOR #H21A413ABCA
B9266266	COMPRESSOR #H21A463ABCA
B9266261	COMPRESSOR #H21B153ABCA (M2)
B9266292	COMPRESSOR #H22B193ABCA (M6)
B9266234A	COMPRESSOR #H23B153ABCA (M5)
B9266214A	COMPRESSOR #H23B223ABCA (M7, M10)
B9266812AS	COMPRESSOR #H23B24SABCA (M13)
B9266609A	COMPRESSOR #H25B353QDBLA (M21)
B9266864AS	COMPRESSOR #H29B30UABCA (M16)
B9266317	COMPRESSOR #RES30175PFV216 (M4)
B9266316	COMPRESSOR #SRB60200PFV231 (M9)
CR18K6PFV960	COMPRESSOR 18000, 208/230/60/1 (M3)
CR30K6PFV960	COMPRESSOR 30000, 208/230/60/1 (M11, M12, M15, M17)
CR35K6PFV960	COMPRESSOR 35000, 208/230/60/1 (M20)
CR38K6PFV960	COMPRESSOR 38200, 208/230/60/1 (M23)
0131M00007PS	COND MOTOR 1/4 HP, 1 SP, 8 PL (M6, M11, M12, M13, M14, M17, M18, M19, M22, M24, M25)
B13400251S	COND MOTOR 1/6 HP (M1, M2, M3, M4, M5, M7, M8, M9, M10, M15, M16, M20, M21, M23)
B1360321	CONTACTOR 23 AMP, 1P, 24V (M2, M3, M4, M6, M7, M8, M9, M11, M12, M13, M14, M17, M18, M19, M22)
CONT2P025024VS	CONTACTOR 25 AMP, 2P, 24V (M1, M5, M10, M15, M16, M20)
B1360315	CONTACTOR 25 AMP, 3P, 24V (M21)
CONT2P030024VS	CONTACTOR 30 AMP, 2P, 24V (M25)

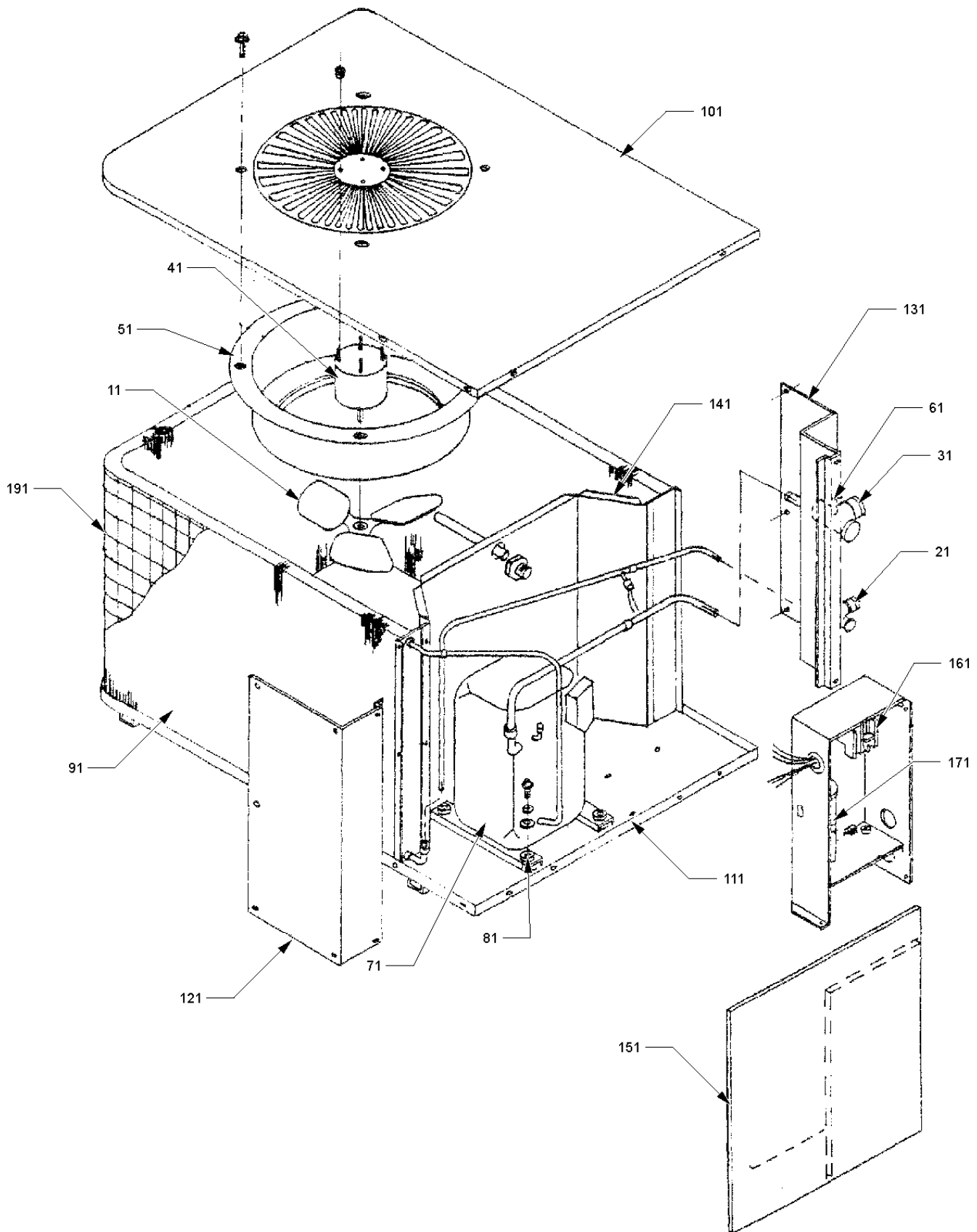
SPECIAL PARTS

RP-103A REPAIR PARTS MANUAL

Expanded Model Nomenclature

M1 - CE12-1AP
M2 - CE18-1B
M3 - CE19-1AB
M4 - CE19-1C
M5 - CE19-1EB
M6 - CE24-1B
M7 - CE25-1AB
M8 - CE25-1AC
M9 - CE25-1C
M10 - CE25-1EB
M11 - CE30-1AB
M12 - CE30-1AC
M13 - CE30-1B
M14 - CE30-1C
M15 - CE30-1GB
M16 - CE30-1HB
M17 - CE36-1AB
M18 - CE36-1AC
M19 - CE36-1C
M20 - CE36-1GB
M21 - CE36-3B
M22 - CE42-1C
M23 - CE42-1GB
M24 - CE48-1C
M25 - CE60-1C

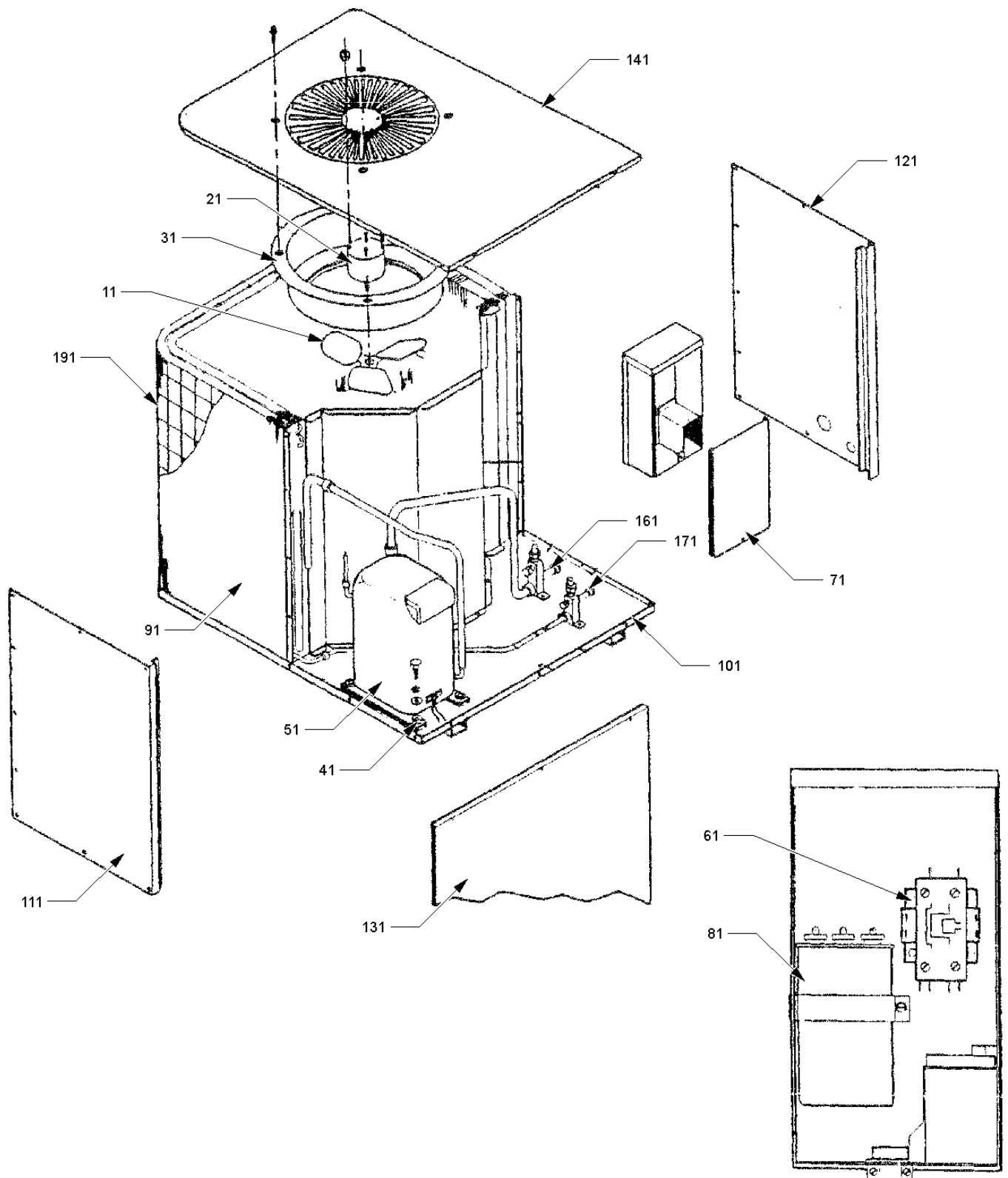
Replacement Parts List



Replacement Parts List

Ref. Part No:	No:	Description:	Ref. Part No:	No:	Description:
<i>Image 1:</i>			151	1787703P	ACCESS PANEL (M2, M9, M23)
11	B1086756S	FAN BLADE 18", 32° (M1, M2, M3, M4, M5, M7, M8, M9, M10, M15, M16, M20, M21, M23)	151	1787705P	ACCESS PANEL (M10, M16)
21	20163801S	3/8" SERVICE VALVE (M1, M2, M3, M4, M5, M7, M8, M9, M10, M15, M16, M20, M21, M23)	161	B1360321	CONTACTOR 23 AMP, 1P, 24V (M2, M3, M4, M7, M8, M9)
31	B1282566	3/4" SERVICE VALVE (M7, M8, M9, M10, M15, M16, M20, M21, M23)	161	CONT2P025024VS	CONTACTOR 25 AMP, 2P, 24V (M1, M5, M10, M15, M16, M20, M23)
31	B1282573	5/8" SERVICE VALVE (M1, M2, M3, M4, M5)	161	B1360315	CONTACTOR 25 AMP, 3P, 24V (M21)
41	B13400251S	COND MOTOR 1/6 HP (M1, M2, M3, M4, M5, M7, M8, M9, M10, M15, M16, M20, M21, M23)	171	CAP050200370RSS	CAPACITOR 5/20/370V (M2)
51	B1787810	VENTURI RING (M1, M2, M3, M4, M5, M7, M8, M9, M10, M15, M16, M20, M21, M23)	171	CAP050250370RSS	CAPACITOR 5/25/370V (M3, M4, M5)
61	B1787000	VALVE CORE (M1, M2, M3, M4, M5, M7, M8, M9, M10, M15, M16, M20, M21, M23)	171	CAP050300370RSS	CAPACITOR 5/30/370V (M7, M8, M9, M10)
71	B9266406	COMPRESSOR #2K20S3R236U-6C (M1)	171	CAP050350370RSS	CAPACITOR 5/35/370V (M15)
71	B9266322	COMPRESSOR #CRC40175PFV230 (M8)	171	CAP050000370VAS	CAPACITOR 5/370V (M21)
71	B9266261	COMPRESSOR #H21B153ABCA (M2)	171	CAP050400370RSS	CAPACITOR 5/40/370V (M1, M16)
71	B9266234A	COMPRESSOR #H23B153ABCA (M5)	171	CAP050400440RTS	CAPACITOR 5/40/440V (M23)
71	B9266214A	COMPRESSOR #H23B223ABCA (M7, M10)	171	CAP050450370RSS	CAPACITOR 5/45/370V (M20)
71	B9266609A	COMPRESSOR #H25B353QDBLA (M21)	191	B1249330	INLET GRILLE (M3, M4, M7, M8)
71	B9266864AS	COMPRESSOR #H29B30UABCA (M16)	191	B1259317	INLET GRILLE (M1, M5)
71	B9266317	COMPRESSOR #RES30175PFV216 (M4)	191	B1259320	INLET GRILLE (M10, M16)
71	B9266316	COMPRESSOR #SRB60200PFV231 (M9)	191	B1259325	INLET GRILLE (M15, M20, M21)
71	CR18K6PFV960	COMPRESSOR 18000, 208/230/60/1 (M3)	191	B1259330	INLET GRILLE (M2, M9, M23)
71	CR30K6PFV960	COMPRESSOR 30000, 208/230/60/1 (M15)	NS	B1219216	FILTER DRIER (M2, M3, M4, M7, M8, M9)
71	CR35K6PFV960	COMPRESSOR 35000, 208/230/60/1 (M20)	NS	B1219220	FILTER DRIER (M1, M5, M10, M15, M16, M20, M21, M23)
71	CR38K6PFV960	COMPRESSOR 38200, 208/230/60/1 (M23)	Expanded Model Nomenclature		
81	B1339530	COMPRESSOR GROMMET (M2, M3, M4, M5, M7, M8, M9, M10, M15, M16, M20, M21, M23)	M1	- CE12-1AP	
81	B1339538	COMPRESSOR GROMMET (M1)	M2	- CE18-1B	
91	12646195	TUBING ASSY, COND COIL (M3, M4, M7, M8)	M3	- CE19-1AB	
91	12646196	TUBING ASSY, COND COIL (M2, M9)	M4	- CE19-1C	
91	1264803	TUBING ASSY, COND COIL (M1, M5)	M5	- CE19-1EB	
91	1264805	TUBING ASSY, COND COIL (M10, M16)	M6	- CE24-1B	
91	1264806	TUBING ASSY, COND COIL (M15, M20, M21)	M7	- CE25-1AB	
91	1264865	TUBING ASSY, COND COIL (M23)	M8	- CE25-1AC	
101	1779403P	TOP PANEL (M1, M2, M3, M4, M5, M7, M8, M9, M10, M15, M16, M20, M21, M23)	M9	- CE25-1C	
111	1787203	BOTTOM PAN (M2, M3, M4, M7, M8, M9)	M10	- CE25-1EB	
111	1787208P	BOTTOM PAN (M1, M5, M10, M15, M16, M20, M21, M23)	M11	- CE30-1AB	
121	1787301P	LEFT CORNER PANEL (M1, M5)	M12	- CE30-1AC	
121	1787302P	LEFT CORNER PANEL (M3, M4, M7, M8, M15, M20, M21)	M13	- CE30-1B	
121	1787303P	LEFT CORNER PANEL (M2, M9, M23)	M14	- CE30-1C	
121	1787304P	LEFT CORNER PANEL (M10, M16)	M15	- CE30-1GB	
131	1787421P	RIGHT CORNER PANEL (M1, M5)	M16	- CE30-1HB	
131	1787422P	RIGHT CORNER PANEL (M10, M16)	M17	- CE36-1AB	
131	1787423P	RIGHT CORNER PANEL (M2, M9, M15, M20, M21)	M18	- CE36-1AC	
131	1787424P	RIGHT CORNER PANEL (M3, M4, M7, M8, M23)	M19	- CE36-1C	
141	1787501	PARTITION PANEL (M1, M5)	M20	- CE36-1GB	
141	1787502	PARTITION PANEL (M3, M4, M7, M8, M15, M20, M21)	M21	- CE36-3B	
141	1787503	PARTITION PANEL (M2, M9, M23)	M22	- CE42-1C	
141	1787504	PARTITION PANEL (M10, M16)	M23	- CE42-1GB	
151	1787701P	ACCESS PANEL (M1, M5)	M24	- CE48-1C	
151	1787702P	ACCESS PANEL (M3, M4, M7, M8, M15, M20, M21)	M25	- CE60-1C	

Replacement Parts List



Replacement Parts List

Ref. Part No:	No:	Description:	Ref. Part No:	No:	Description:																									
<i>Image 1:</i>			151	1779502	PARTITION PANEL (M24)																									
11	B1086750S	FAN BLADE 22", 3 BLADE, 24° (M6, M11, M12, M13, M14, M17, M18, M19, M22, M24, M25)	151	1779503	PARTITION PANEL (M25)																									
21	0131M00007PS	COND MOTOR 1/4 HP, 1 SP, 8 PL (M6, M11, M12, M13, M14, M17, M18, M19, M22, M24, M25)	161	B1282566	3/4" SERVICE VALVE (M6, M11, M12, M13, M14, M17, M18)																									
31	B1787811	VENTURI RING (M6, M11, M12, M13, M14, M17, M18, M19, M22, M24, M25)	161	B1282543	7/8" SERVICE VALVE (M19, M22, M24, M25)																									
41	B1339530	COMPRESSOR GROMMET (M6, M13)	171	20163801S	3/8" SERVICE VALVE (M6, M11, M12, M13, M14, M17, M18, M19, M22, M24, M25)																									
41	B1339533	COMPRESSOR GROMMET	191	B1249333	INLET GRILLE (M6, M11, M12, M13, M14, M17, M18, M19, M22)																									
51	B9266314	COMPRESSOR #CRE20225PFV272 (M14)	191	B1249335	INLET GRILLE (M25)																									
51	B9266315	COMPRESSOR #CRF20250PFV270 (M19)	191	B1259332	INLET GRILLE (M24)																									
51	B9266325	COMPRESSOR #CRF40250PFV230 (M18)	NS	B1219216	FILTER DRIER (M6, M11, M12, M13, M14, M17, M18, M19, M22, M24, M25)																									
51	B9266301	COMPRESSOR #CRH30275PFV270 (M22)	Expanded Model Nomenclature																											
51	B9266303	COMPRESSOR #CRK30325PRV270 (M24)	<table border="1"> <tr><td>M1 - CE12-1AP</td></tr> <tr><td>M2 - CE18-1B</td></tr> <tr><td>M3 - CE19-1AB</td></tr> <tr><td>M4 - CE19-1C</td></tr> <tr><td>M5 - CE19-1EB</td></tr> <tr><td>M6 - CE24-1B</td></tr> <tr><td>M7 - CE25-1AB</td></tr> <tr><td>M8 - CE25-1AC</td></tr> <tr><td>M9 - CE25-1C</td></tr> <tr><td>M10 - CE25-1EB</td></tr> <tr><td>M11 - CE30-1AB</td></tr> <tr><td>M12 - CE30-1AC</td></tr> <tr><td>M13 - CE30-1B</td></tr> <tr><td>M14 - CE30-1C</td></tr> <tr><td>M15 - CE30-1GB</td></tr> <tr><td>M16 - CE30-1HB</td></tr> <tr><td>M17 - CE36-1AB</td></tr> <tr><td>M18 - CE36-1AC</td></tr> <tr><td>M19 - CE36-1C</td></tr> <tr><td>M20 - CE36-1GB</td></tr> <tr><td>M21 - CE36-3B</td></tr> <tr><td>M22 - CE42-1C</td></tr> <tr><td>M23 - CE42-1GB</td></tr> <tr><td>M24 - CE48-1C</td></tr> <tr><td>M25 - CE60-1C</td></tr> </table>			M1 - CE12-1AP	M2 - CE18-1B	M3 - CE19-1AB	M4 - CE19-1C	M5 - CE19-1EB	M6 - CE24-1B	M7 - CE25-1AB	M8 - CE25-1AC	M9 - CE25-1C	M10 - CE25-1EB	M11 - CE30-1AB	M12 - CE30-1AC	M13 - CE30-1B	M14 - CE30-1C	M15 - CE30-1GB	M16 - CE30-1HB	M17 - CE36-1AB	M18 - CE36-1AC	M19 - CE36-1C	M20 - CE36-1GB	M21 - CE36-3B	M22 - CE42-1C	M23 - CE42-1GB	M24 - CE48-1C	M25 - CE60-1C
M1 - CE12-1AP																														
M2 - CE18-1B																														
M3 - CE19-1AB																														
M4 - CE19-1C																														
M5 - CE19-1EB																														
M6 - CE24-1B																														
M7 - CE25-1AB																														
M8 - CE25-1AC																														
M9 - CE25-1C																														
M10 - CE25-1EB																														
M11 - CE30-1AB																														
M12 - CE30-1AC																														
M13 - CE30-1B																														
M14 - CE30-1C																														
M15 - CE30-1GB																														
M16 - CE30-1HB																														
M17 - CE36-1AB																														
M18 - CE36-1AC																														
M19 - CE36-1C																														
M20 - CE36-1GB																														
M21 - CE36-3B																														
M22 - CE42-1C																														
M23 - CE42-1GB																														
M24 - CE48-1C																														
M25 - CE60-1C																														
51	B9266304	COMPRESSOR #CRL30350PFV270 (M25)																												
51	B9266274	COMPRESSOR #H21A293ABCA																												
51	B9266275	COMPRESSOR #H21A373ABCA																												
51	B9266276	COMPRESSOR #H21A413ABCA																												
51	B9266266	COMPRESSOR #H21A463ABCA																												
51	B9266292	COMPRESSOR #H22B193ABCA (M6)																												
51	B9266812AS	COMPRESSOR #H23B24SABCA (M13)																												
51	CR30K6PFV960	COMPRESSOR 30000, 208/230/60/1 (M11, M12, M17)																												
61	B1360321	CONTACTOR 23 AMP, 1P, 24V (M6, M11, M12, M13, M14, M17, M18, M19, M22)																												
61	CONT2P025024VS	CONTACTOR 25 AMP, 1P, 24V (M24)																												
61	CONT2P030024VS	CONTACTOR 30 AMP, 2P, 24V (M25)																												
71	1410900	CONTROL BOX COVER (M6, M11, M12, M13, M14, M17, M18, M19, M22, M24, M25)																												
81	CAP050350370RSS	CAPACITOR 5/35/370V (M6, M11, M12, M13, M14, M18, M19)																												
81	CAP050350440RSS	CAPACITOR 5/35/440V																												
81	CAP050400370RSS	CAPACITOR 5/40/370V (M17, M22)																												
81	CAP050400440RTS	CAPACITOR 5/40/440V (M24)																												
81	CAP050500440RTS	CAPACITOR 5/40/440V (M25)																												
91	12646201	TUBING ASSY, COND COIL (M6, M13, M14)																												
91	12646206	TUBING ASSY, COND COIL (M17, M18, M19, M22)																												
91	12646233	TUBING ASSY, COND COIL (M24)																												
91	12646235	TUBING ASSY, COND COIL (M11, M12)																												
91	12646250	TUBING ASSY, COND COIL (M25)																												
101	1779101P	BOTTOM PAN (M6, M11, M12, M13, M14, M17, M18, M19, M22, M24, M25)																												
111	1779202P	LEFT CORNER PANEL (M6, M11, M12, M13, M14, M17, M18, M19, M22)																												
111	1779213P	LEFT CORNER PANEL (M24)																												
121	1779207P	LEFT AND RIGHT CORNER PANEL (M25)																												
121	1779203P	RIGHT CORNER PANEL (M6, M11, M12, M13, M14, M17, M18, M19, M22)																												
121	1779206P	RIGHT CORNER PANEL (M24)																												
131	1779303P	ACCESS PANEL (M6, M11, M12, M13, M14, M17, M18, M19, M22)																												
131	1779304P	ACCESS PANEL (M24)																												
131	1779305P	ACCESS PANEL (M25)																												
141	1779404S	TOP PANEL (M6, M11, M12, M13, M14, M17, M18, M19, M22, M24, M25)																												
151	1779501	PARTITION PANEL (M6, M11, M12, M13, M14, M17, M18, M19, M22)																												

