



REPAIR PARTS

C SERIES Condensing Units

C18-1AB
C18-1B
C24-1AB
C24-1B
C30-1AB
C30-1B
C30-1C
C36-1B
C36-1C
C42-1AB
C42-1AC
C42-1B
C42-1C
C48-1AB
C48-1AC
C48-1B
C48-1C
C48-3B
C60-1AC
C60-1B
C60-1C
C60-3B

This manual is to be used by qualified technicians only.

© 1986-2008 Goodman Manufacturing Company, L.P. ♦ 5151 San Felipe, Suite 500 ♦ Houston, TX 77056

Important Information

Index

Functional Parts List	3
Illustration and Parts	4 - 7

Views shown are for parts illustrations only, not servicing procedures.

Text Codes:

AR - As Required

NA - Not Available

NS - Not Shown

00000000 - See Note

QTY - Quantity Example (QTY 3) (If Quantity not shown, Quantity = 1)

M - Model Example (M1) (If M Code not shown, then part is used on all Models)

Expanded Model Nomenclature:

Example M1 - Model#1 M2 - Model#2 M3 - Model#3

Goodman Manufacturing Company, L.P. is not responsible for personal injury or property damage resulting from improper service. Review all service information before beginning repairs.

Warranty service must be performed by an authorized technician, using authorized factory parts. If service is required after the warranty expires, Goodman Manufacturing Company, L.P. also recommends contacting an authorized technician and using authorized factory parts.

Goodman Manufacturing Company, L.P. reserves the right to discontinue, or change at any time, specifications or designs without notice or without incurring obligations.

For assistance within the U.S.A. contact:
Consumer Affairs Department
Goodman Manufacturing Company, L.P.
7401 Security Way
Houston, Texas 77040
877-254-4729-Telephone
713-863-2382-Facsimile

For assistance outside the U.S.A. contact:
International Division
Goodman Manufacturing Company, L.P.
7401 Security Way
Houston, Texas 77040
713-861-2500-Telephone
713-863-2382-Facsimile

Functional Parts

Part No: **Description:**

CAP050200370RSS	CAPACITOR 5/20/370V* (M1, M2)
CAP050300370RSS	CAPACITOR 5/30/370V* (M3)
CAP050350370RSS	CAPACITOR 5/35/370V* (M4, M5, M6, M7)
CAP050350440RSS	CAPACITOR 5/35/440V* (M8, M12, M13)
CAP050400370RSS	CAPACITOR 5/40/370V* (M9)
CAP050400440RTS	CAPACITOR 5/40/440V* (M10, M11, M14, M15, M16, M17)
CAP050450440RTS	CAPACITOR 5/45/440V* (M19, M20, M21)
B9266300	COMPRESSOR #CRH30275PFV230 (M9)
B9266307	COMPRESSOR #CRJ10300PFV270 (M13)
B9266302	COMPRESSOR #CRK30325PFV230 (M11)
B9266303	COMPRESSOR #CRK30325PFV270 (M15)
B9266304	COMPRESSOR #CRL10350PFV270 (M17)
B9266305	COMPRESSOR #CRP10450PFV270 (M19, M21)
B9266264	COMPRESSOR #H21A343ABCA (M8)
B9266275	COMPRESSOR #H21A373ABCA (M12)
B9266276	COMPRESSOR #H21A413ABCA (M14)
B9266265	COMPRESSOR #H21A413ABCA (M10)
B9266266	COMPRESSOR #H21A463ABCA (M16)
B9266268	COMPRESSOR #H21A463DBDA (M18)
B9266261	COMPRESSOR #H21B153ABCA (M1, M2)
B9266262	COMPRESSOR #H21B243ABCA (M4)
B9266279	COMPRESSOR #H21B273ABCA (M6)
B9266267	COMPRESSOR #H21C533ABCA (M20)
B9266269	COMPRESSOR #H21C533DBDA (M22)
B9266285	COMPRESSOR #H22B253ABCA (M5)
B9266312	COMPRESSOR #SRD60225PFV232 (M7)
CR22K6PFV960	COMPRESSOR H29B22UABCA (M3)
B13400250	COND MOTOR (M1, M2, M3, M4)
B13400251S	COND MOTOR (M5, M6, M7, M8, M9, M10, M11)
0131M00007PS	COND MOTOR 1/4 HP, 1 SP, 8 PL (M12, M13, M14, M15, M16, M17, M18, M19, M20, M21, M22)
B1360330	CONTACTOR 14 AMP, 1P, 24V (M1, M2, M3)
B1360321	CONTACTOR 23 AMP, 1P, 24V (M4, M5, M6, M7, M8, M9, M12, M13)
CONT2P025024VS	CONTACTOR 25 AMP, 1P, 24V (M10, M11, M14, M15)
CONT3P025024VS	CONTACTOR 25 AMP, 3P, 24V (M18, M22)
CONT2P030024VS	CONTACTOR 30 AMP, 2P, 24V (M16, M17)
CONT2P040024VS	CONTACTOR 40 AMP, 2P, 24V (M19, M20, M21)

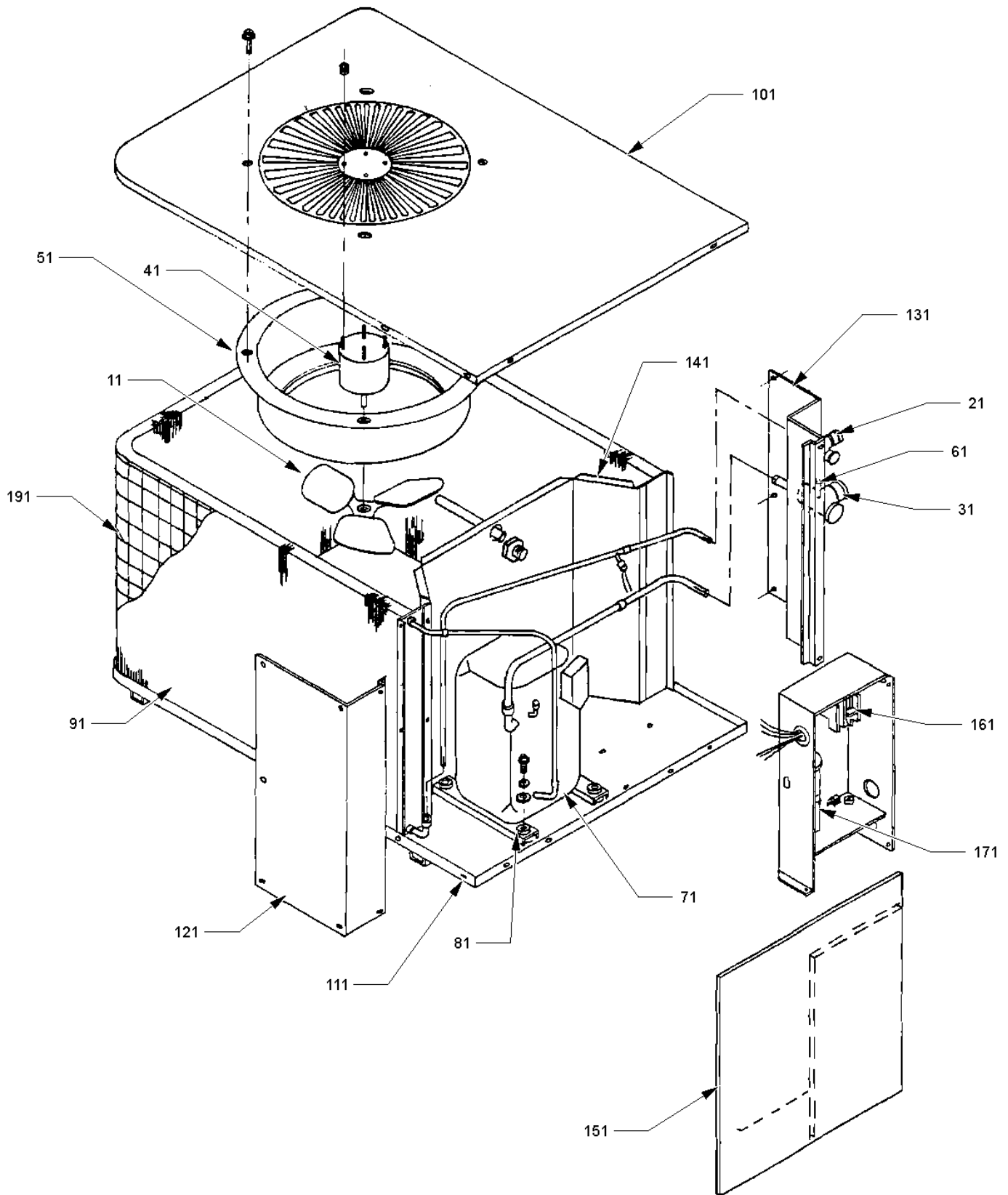
SPECIAL PARTS

RP-102 REPAIR PARTS MANUAL

Expanded Model Nomenclature

M1 - C18-1AB
M2 - C18-1B
M3 - C24-1AB
M4 - C24-1B
M5 - C30-1AB
M6 - C30-1B
M7 - C30-1C
M8 - C36-1B
M9 - C36-1C
M10 - C42-1AB
M11 - C42-1AC
M12 - C42-1B
M13 - C42-1C
M14 - C48-1AB
M15 - C48-1AC
M16 - C48-1B
M17 - C48-1C
M18 - C48-3B
M19 - C60-1AC
M20 - C60-1B
M21 - C60-1C
M22 - C60-3B

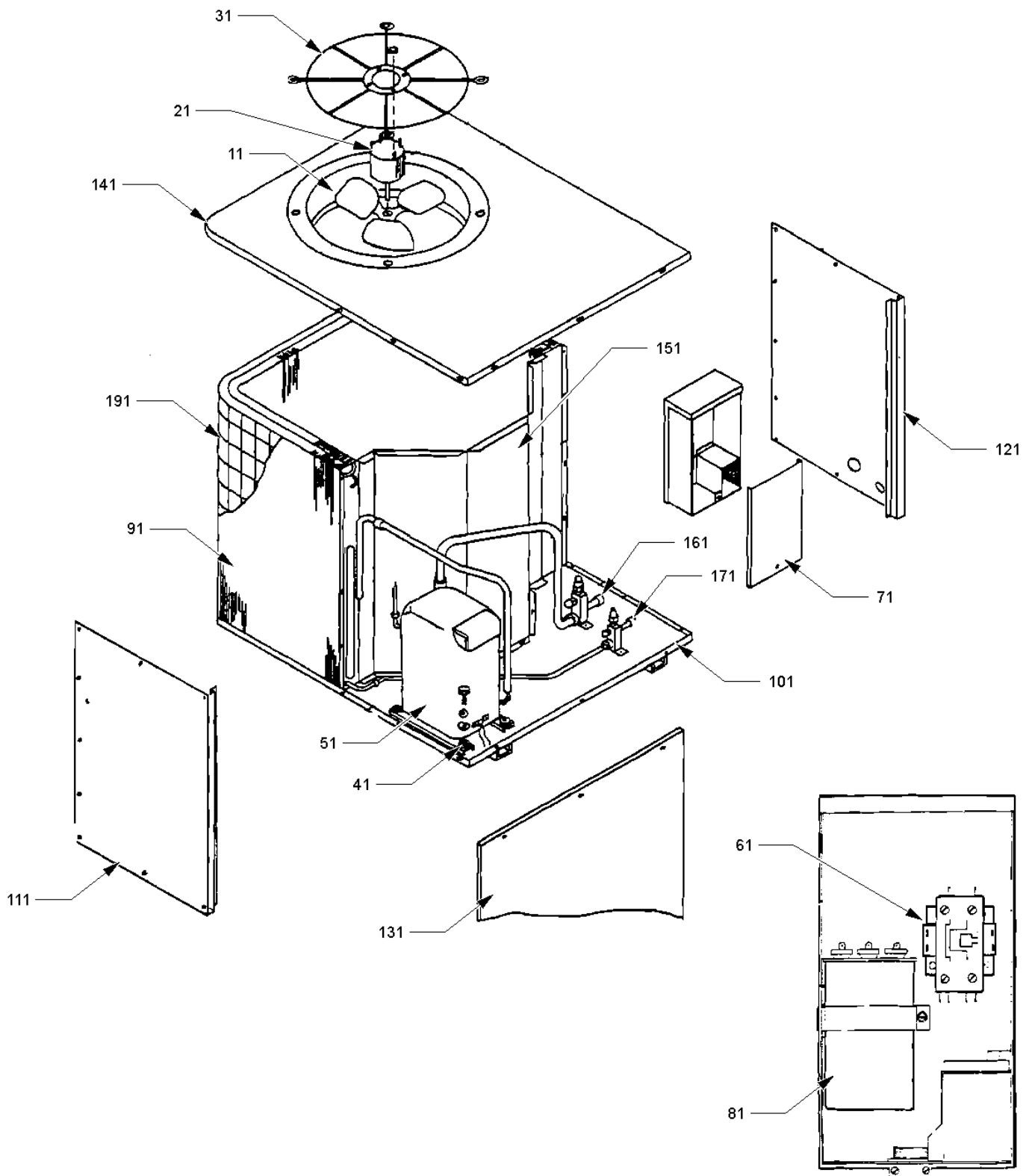
Replacement Parts List



Replacement Parts List

Ref. Part No:	No:	Description:	Ref. Part No:	No:	Description:
<i>Image 1:</i>			151	1787702P	ACCESS PANEL (M6, M7)
11	B1086756S	FAN BLADE 18" (M1, M2, M3, M4, M5, M6, M7, M8, M9, M10, M11)	151	1787703P	ACCESS PANEL (M5, M8, M9, M10, M11)
21	20163801S	3/8" SERVICE VALVE (M1, M2, M3, M4, M5, M6, M7, M8, M9, M10, M11)	161	B1360330	CONTACTOR 14 AMP, 1P, 24V (M1, M2, M3)
31	B1258542	3/4" SERVICE VALVE (M3, M4, M5, M6, M7, M8, M9, M10, M11)	161	B1360321	CONTACTOR 23 AMP, 1P, 24V (M4, M5, M6, M7, M8, M9)
31	B1282573	5/8" SERVICE VALVE (M1, M2)	161	CONT2P025024VS	CONTACTOR 25 AMP, 2P, 24V (M10, M11)
41	B13400250	COND MOTOR (M1, M2, M3, M4)	171	CAP050200370RSS	CAPACITOR 5/20/370V* (M1, M2)
41	B13400251S	COND MOTOR (M5, M6, M7, M8, M9, M10, M11)	171	CAP050300370RSS	CAPACITOR 5/30/370V* (M3)
51	1787807	VENTURI RING (M1, M2, M3, M4, M5, M6, M7, M8, M9, M10, M11)	171	CAP050350370RSS	CAPACITOR 5/35/370V* (M4, M5, M6, M7)
61	B1787000	VALVE CORE (M1, M2, M3, M4, M5, M6, M7, M8, M9, M10, M11)	171	CAP050350440RSS	CAPACITOR 5/35/440V* (M8)
71	B9266300	COMPRESSOR #CRH30275PFV230 (M9)	171	CAP050400370RSS	CAPACITOR 5/40/370V* (M9)
71	B9266302	COMPRESSOR #CRK30325PFV230 (M11)	171	CAP050400440RTS	CAPACITOR 5/40/440V* (M10, M11)
71	B9266264	COMPRESSOR #H21A343ABCA (M8)	191	B1249328	INLET GRILLE (M2)
71	B9266265	COMPRESSOR #H21A413ABCA (M10)	191	B1249329	INLET GRILLE (M1, M3, M4)
71	B9266261	COMPRESSOR #H21B153ABCA (M1, M2)	191	B1249330	INLET GRILLE (M6, M7)
71	B9266262	COMPRESSOR #H21B243ABCA (M4)	191	B1259330	INLET GRILLE (M5, M8, M9, M10, M11)
71	B9266279	COMPRESSOR #H21B273ABCA (M6)	NS	B1219216	FILTER DRIER (M1, M2, M3, M4, M5, M6, M7, M8, M9, M10, M11)
71	B9266285	COMPRESSOR #H22B253ABCA (M5)	Expanded Model Nomenclature		
71	B9266312	COMPRESSOR #SRD60225PFV232 (M7)	M1 - C18-1AB M2 - C18-1B M3 - C24-1AB M4 - C24-1B M5 - C30-1AB M6 - C30-1B M7 - C30-1C M8 - C36-1B M9 - C36-1C M10 - C42-1AB M11 - C42-1AC M12 - C42-1B M13 - C42-1C M14 - C48-1AB M15 - C48-1AC M16 - C48-1B M17 - C48-1C M18 - C48-3B M19 - C60-1AC M20 - C60-1B M21 - C60-1C M22 - C60-3B		
71	CR22K6PFV960	COMPRESSOR H29B22UABCA (M3)	*SUBSTITUTION OF B9456 SERIES MAY BE MADE FOR THE COMPRESSOR RUN CAPACITOR		
81	B1339530	COMPRESSOR GROMMET (M1, M2, M3, M4, M5, M6, M7, M8, M9, M10, M11)			
91	12646192	TUBING ASSY, COND COIL (M2)			
91	12646193	TUBING ASSY, COND COIL (M1, M3, M4)			
91	12646195	TUBING ASSY, COND COIL (M6, M7)			
91	12646196	TUBING ASSY, COND COIL (M5, M8, M9)			
91	12646197	TUBING ASSY, COND COIL (M10, M11)			
101	1779403P	TOP PANEL (M1, M2, M3, M4, M5, M6, M7, M8, M9, M10, M11)			
111	1787203	BOTTOM PAN (M1, M2, M3, M4, M5, M6, M7, M8, M9, M10, M11)			
121	1787300P	LEFT CORNER (M2)			
121	1787301P	LEFT CORNER (M1, M3, M4)			
121	1787302P	LEFT CORNER (M6, M7)			
121	1787303P	LEFT CORNER (M5, M8, M9, M10, M11)			
131	1787410P	RIGHT CORNER (M2)			
131	1787411P	RIGHT CORNER (M1, M3, M4)			
131	1787412P	RIGHT CORNER (M6, M7)			
131	1787413P	RIGHT CORNER (M5, M8, M9, M10, M11)			
141	1787500	PARTITION PANEL (M2)			
141	1787501	PARTITION PANEL (M1, M3, M4)			
141	1787502	PARTITION PANEL (M6, M7)			
141	1787503	PARTITION PANEL (M5, M8, M9, M10, M11)			
151	1787700P	ACCESS PANEL (M2)			
151	1787701P	ACCESS PANEL (M1, M3, M4)			

Replacement Parts List



Replacement Parts List

Ref. Part No:	No:	Description:	Ref. Part No:	No:	Description:
<i>Image 1:</i>			151	1779502	PARTITION PANEL (M14, M15, M19)
11	B1086750S	FAN BLADE 22", 3 BLADE, 24° (M12, M13, M14, M15, M16, M17, M18, M19, M20, M21, M22)	161	B1282566	3/4" SERVICE VALVE (M12, M13)
21	0131M00007PS	COND MOTOR 1/4 HP, 1 SP, 8 PL (M12, M13, M14, M15, M16, M17, M18, M19, M20, M21, M22)	161	B1282543	7/8" SERVICE VALVE (M14, M15, M16, M17, M18, M19, M20, M21, M22)
31	B1376911	FAN GUARD (M12, M13, M14, M15, M16, M17, M18, M19, M20, M21, M22)	171	20163801S	3/8" SERVICE VALVE (M12, M13, M14, M15, M16, M17, M18, M19, M20, M21, M22)
41	B1339530	COMPRESSOR GROMMET (M12, M13, M14, M15, M16, M18)	191	B1249333	INLET GRILLE (M12, M13, M16, M17, M18, M20, M21, M22)
41	B1339531	COMPRESSOR GROMMET (M20, M22)	191	B1259332	INLET GRILLE (M14, M15, M19)
41	B1339533	COMPRESSOR GROMMET (M17, M19, M21)	NS	B1219216	FILTER DRIER (M12, M13, M14, M15, M16, M17, M18, M19, M20, M21, M22)
51	B9266307	COMPRESSOR #CRJ10300PFV270 (M13)	Expanded Model Nomenclature		
51	B9266303	COMPRESSOR #CRK30325PFV270 (M15)	M1 - C18-1AB		
51	B9266304	COMPRESSOR #CRL10350PFV270 (M17)	M2 - C18-1B		
51	B9266305	COMPRESSOR #CRP10450PFV270 (M19, M21)	M3 - C24-1AB		
51	B9266275	COMPRESSOR #H21A373ABCA (M12)	M4 - C24-1B		
51	B9266276	COMPRESSOR #H21A413ABCA (M14)	M5 - C30-1AB		
51	B9266266	COMPRESSOR #H21A463ABCA (M16)	M6 - C30-1B		
51	B9266268	COMPRESSOR #H21A463DBDA (M18)	M7 - C30-1C		
51	B9266267	COMPRESSOR #H21C533ABCA (M20)	M8 - C36-1B		
51	B9266269	COMPRESSOR #H21C533DBDA (M22)	M9 - C36-1C		
61	B1360321	CONTACTOR 23 AMP, 1P, 24V (M12, M13)	M10 - C42-1AB		
61	CONT2P025024VS	CONTACTOR 25 AMP, 1P, 24V (M14, M15)	M11 - C42-1AC		
61	CONT3P025024VS	CONTACTOR 25 AMP, 3P, 24V (M18, M22)	M12 - C42-1B		
61	CONT2P030024VS	CONTACTOR 30 AMP, 2P, 24V (M16, M17)	M13 - C42-1C		
61	CONT2P040024VS	CONTACTOR 40 AMP, 2P, 24V (M19, M20, M21)	M14 - C48-1AB		
71	141900	CONTROL BOX COVER (M12, M13, M14, M15, M16, M17, M18, M19, M20, M21, M22)	M15 - C48-1AC		
81	CAP050350440RSS	CAPACITOR 5/35/440V* (M12, M13)	M16 - C48-1B		
81	CAP050400440RTS	CAPACITOR 5/40/440V* (M14, M15, M16, M17)	M17 - C48-1C		
81	CAP050450440RTS	CAPACITOR 5/45/440V* (M19, M20, M21)	M18 - C48-3B		
91	12646206	TUBING ASSY, COND COIL (M20, M21, M22)	M19 - C60-1AC		
91	12646233	TUBING ASSY, COND COIL (M19)	M20 - C60-1B		
91	12646235	TUBING ASSY, COND COIL (M12, M13, M16, M17, M18)	M21 - C60-1C		
91	12646236	TUBING ASSY, COND COIL (M14, M15)	M22 - C60-3B		
101	1779101P	BOTTOM PAN (M12, M13, M14, M15, M16, M17, M18, M19, M20, M21, M22)	*SUBSTITUTION OF B9456 SERIES MAY BE MADE FOR THE COMPRESSOR RUN CAPACITOR		
111	1779202P	LEFT CORNER PANEL (M12, M13, M16, M17, M18, M20, M21, M22)			
111	1779213P	LEFT CORNER PANEL (M14, M15, M19)			
121	1779203P	RIGHT CORNER PANEL (M12, M13, M16, M17, M18, M20, M21, M22)			
121	1779206P	RIGHT CORNER PANEL (M14, M15, M19)			
131	1779300P	ACCESS PANEL (M12, M13, M16, M17, M18, M20, M21, M22)			
131	1779301P	ACCESS PANEL (M14, M15, M19)			
141	1787102	TOP PANEL (M12, M13, M14, M15, M16, M17, M18, M19, M20, M21, M22)			
151	1779501	PARTITION PANEL (M12, M13, M16, M17, M18, M20, M21, M22)			

