

REPAIR PARTS

AWUT Electric Heat Air Handler

AWUT240514AA
AWUT240514AB
AWUT240514AC
AWUT240814AA
AWUT240814AB
AWUT240814AC
AWUT241014AA
AWUT241014AB
AWUT241014AC



This manual is to be used by qualified technicians only.

This manual replaces RP-4331A

© 2019, 2022 - 2023 Goodman Manufacturing Company, L.P. ♦ 19001 Kermier Rd. ♦ Waller, TX 77484

Important Information

Index

Functional Parts List	3
Illustration and Parts	4 - 11

Views shown are for parts illustrations only, not servicing procedures.

Text Codes:

AR - As Required

NA - Not Available

NS - Not Shown

00000000 - See Note

QTY - Quantity Example (QTY 3) (If Quantity not shown, Quantity = 1)

M - Model Example (M1) (If M Code not shown, then part is used on all Models)

Expanded Model Nomenclature:

Example M1 - Model#1 M2 - Model#2 M3 - Model#3

Goodman Manufacturing Company, L.P. is not responsible for personal injury or property damage resulting from improper service. Review all service information before beginning repairs.

Warranty service must be performed by an authorized technician, using authorized factory parts. If service is required after the warranty expires, Goodman Manufacturing Company, L.P. also recommends contacting an authorized technician and using authorized factory parts.

Goodman Manufacturing Company, L.P. reserves the right to discontinue, or change at any time, specifications or designs without notice or without incurring obligations.

For assistance within the U.S.A. contact:
Homeowner Support
Goodman Manufacturing Company, L.P.
19001 Kermier Road
Waller, Texas 77484
877-254-4729-Telephone
713-863-2382-Facsimile

For assistance outside the U.S.A. contact:
International Division
Goodman Manufacturing Company, L.P.
19001 Kermier Road
Waller, Texas 77484
713-861-2500-Telephone
713-863-2382-Facsimile

Functional Parts

Part

No: **Description:**

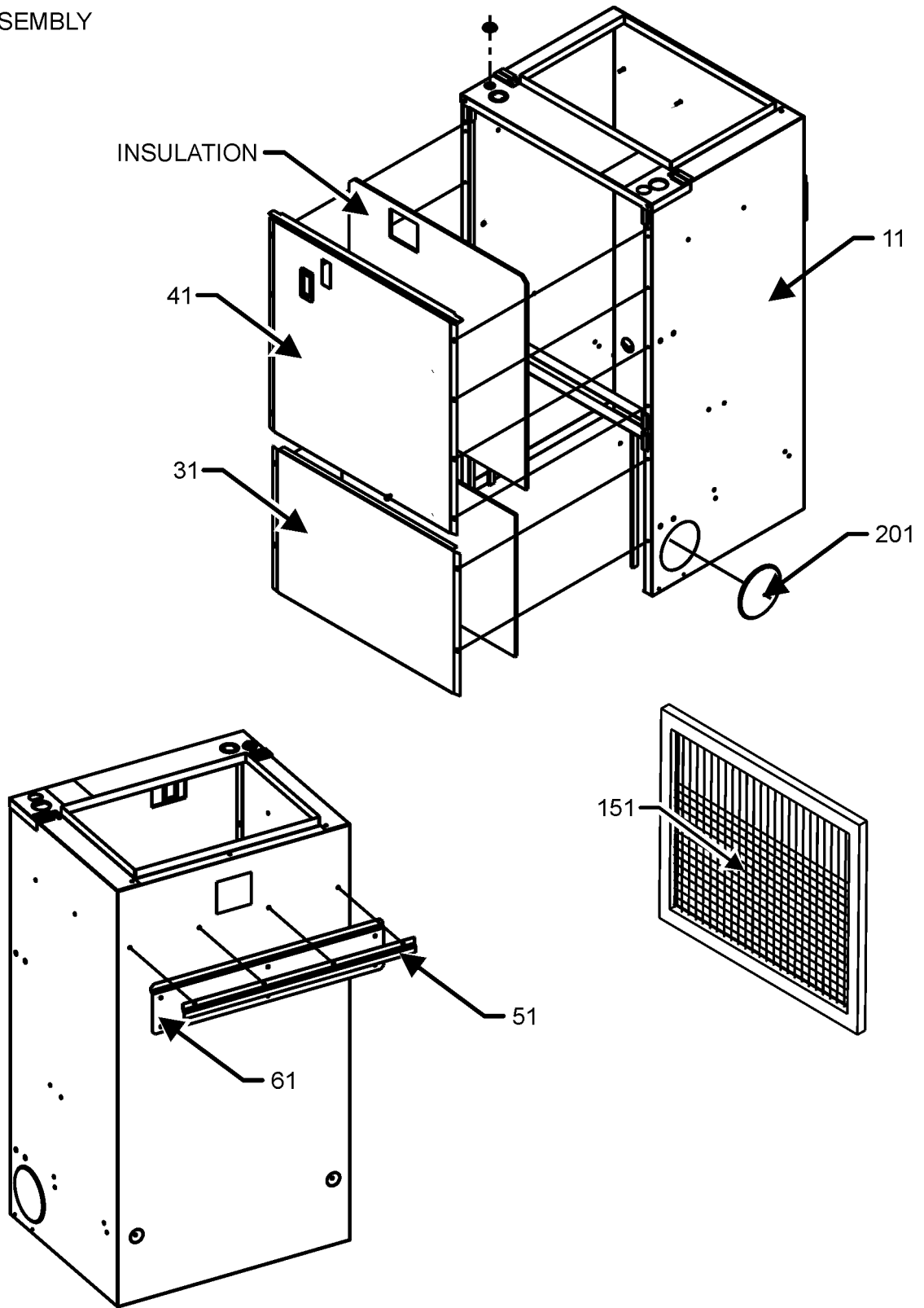
CAP075000370LA	CAP, 7.5 MFD/370V/OVAL
CONT2P040024V	CONTACTOR
BT1420029	ELEMENT, 4.8 KW SMALL HEATER (M1, M2, M3)
BT1420030	ELEMENT, 7.3 KW SMALL HEATER (M4, M5, M6)
BT1420031	ELEMENT, 9.8 KW SMALL HEATER (M7, M8, M9)
BT1340030	MOTOR, 1/5HP, 2SP, 6PL (M1, M4, M7)
0131A00032	MOTOR, 1/5HP, 2SP, 6PL (M2, M3, M5, M6, M8, M9)
PCBFM132	PCB, TIME DELAY (M3, M6, M9)
PCBFM103	PCB, TIME DELAY, EBTDR (M1, M2, M4, M5, M7, M8)
0130M00138	TRANSFORMER, 208/230, 24V
0151M00066	VALVE, TXV R-410A BOOSTER CHG

Expanded Model Nomenclature

M1 - AWUT240514AA
M2 - AWUT240514AB
M3 - AWUT240514AC
M4 - AWUT240814AA
M5 - AWUT240814AB
M6 - AWUT240814AC
M7 - AWUT241014AA
M8 - AWUT241014AB
M9 - AWUT241014AC

WRAPPER ASSEMBLY

WRAPPER ASSEMBLY



WRAPPER ASSEMBLY MAY DIFFER FROM WHAT IS SHOWN

WRAPPER ASSEMBLY

Ref. Part No:	No:	Description:	Ref. Part No:	No:	Description:
---------------	-----	--------------	---------------	-----	--------------

Image 1:

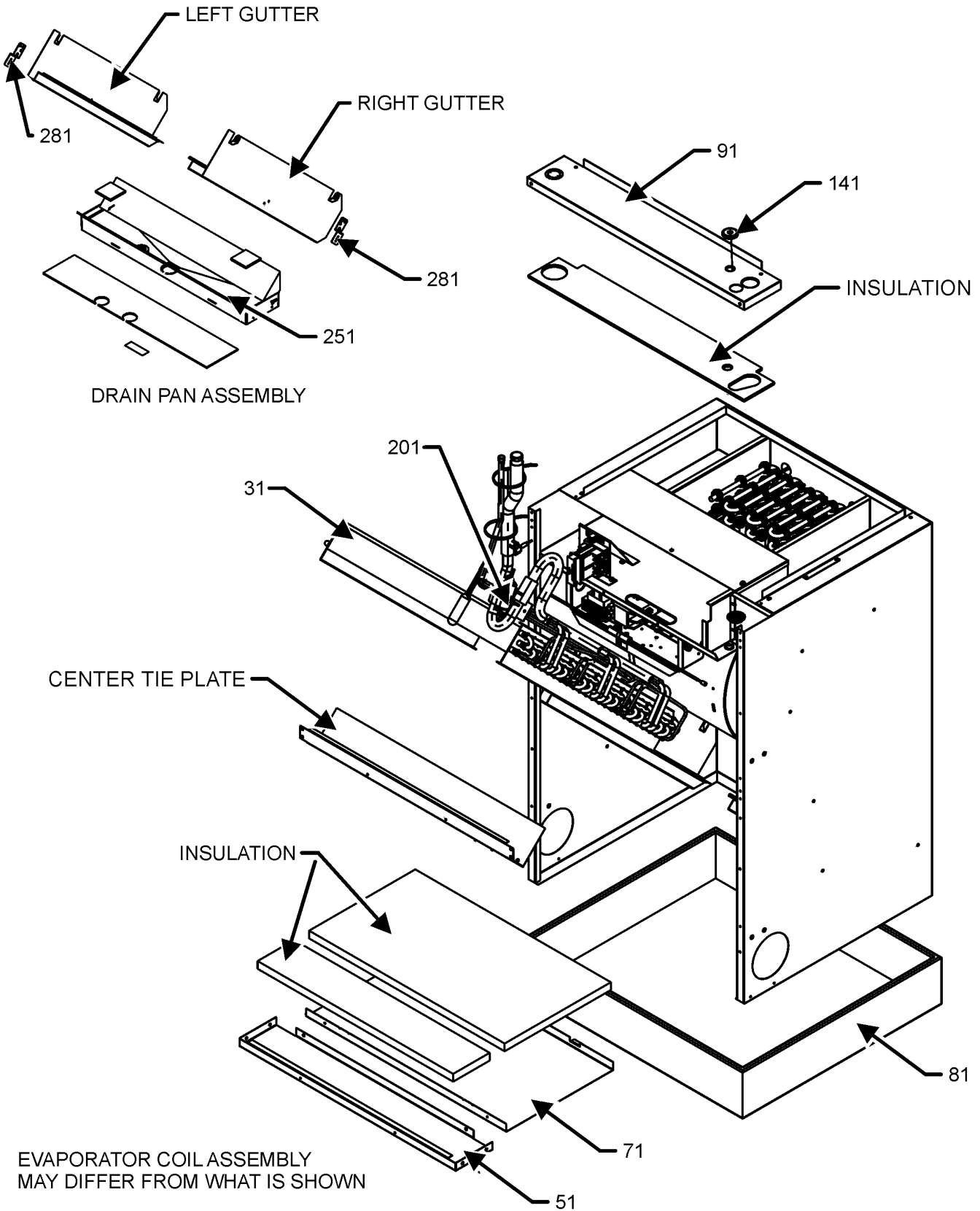
11	0121A01278	WRAPPER, WRAPPER ASSY
31	3701505	PANEL; LOWER FRONT ACCESS
41	0121A00450	PANEL, SMALL FRONT ACCESS
51	3702501	BRACKET; SMALL HANGING
61	3702800	BRACKET; FIELD HANGING
151	0160L00139	Air Filter 14x18x1
201	0161A00068	PLUG-BUTTON (QTY 2)
NS	0161A00067	FLUSH PLUG
NS	0154A00041	GASKET

Expanded Model Nomenclature

- M1 - AWUT240514AA
- M2 - AWUT240514AB
- M3 - AWUT240514AC
- M4 - AWUT240814AA
- M5 - AWUT240814AB
- M6 - AWUT240814AC
- M7 - AWUT241014AA
- M8 - AWUT241014AB
- M9 - AWUT241014AC

EVAPORATOR COIL ASSEMBLY

EVAPORATOR COIL ASSEMBLY



EVAPORATOR COIL ASSEMBLY

Ref. Part No:	No:	Description:	Ref. Part No:	No:	Description:
---------------	-----	--------------	---------------	-----	--------------

Image 1:

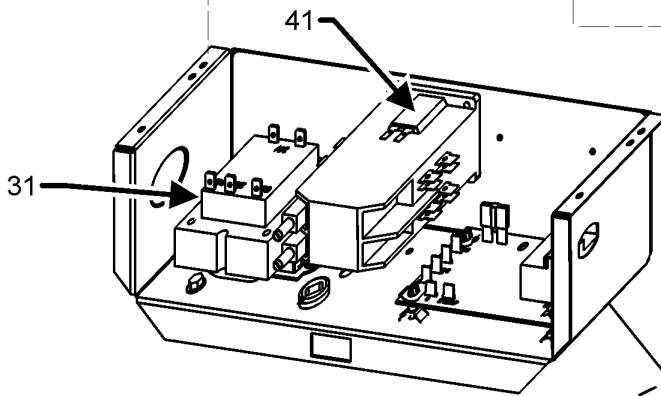
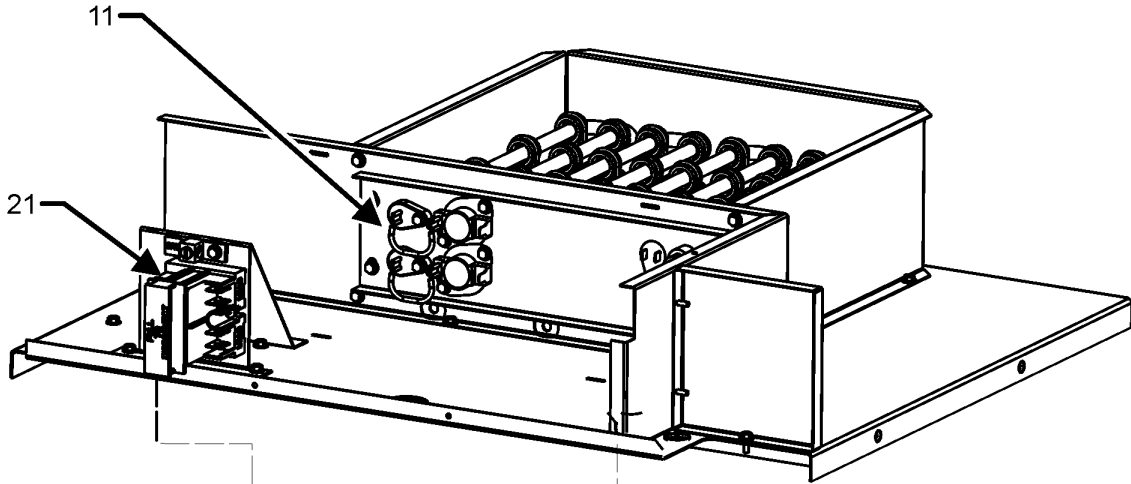
31	0270A01440	TUBING ASSY, EVAP COIL
51	0121A01224	PLATE, BOTTOM TIE
71	3701502	PANEL; SMALL DRAIN ACCESS
81	BT1700050	CAP; SM. AIR HANDLER BOTTOM
91	3702104	WRAPPER, TOP (SMALL)
141	0164A00002	GROMMET
201	0151M00066	VALVE, TXV R-410A BOOSTER CHG
251	0161R00022	DRAIN PAN SMALL
281	3701805	BRACKET, OFFSET (QTY 2)
NS	0163M00175	CAP WITH O-RING
NS	0128R00007	DRAINPAN SHIELD
NS	3701203	SUPPORT; SMALL FILTER (QTY 2)
NS	0151M00104	VALVE CORE

Expanded Model Nomenclature

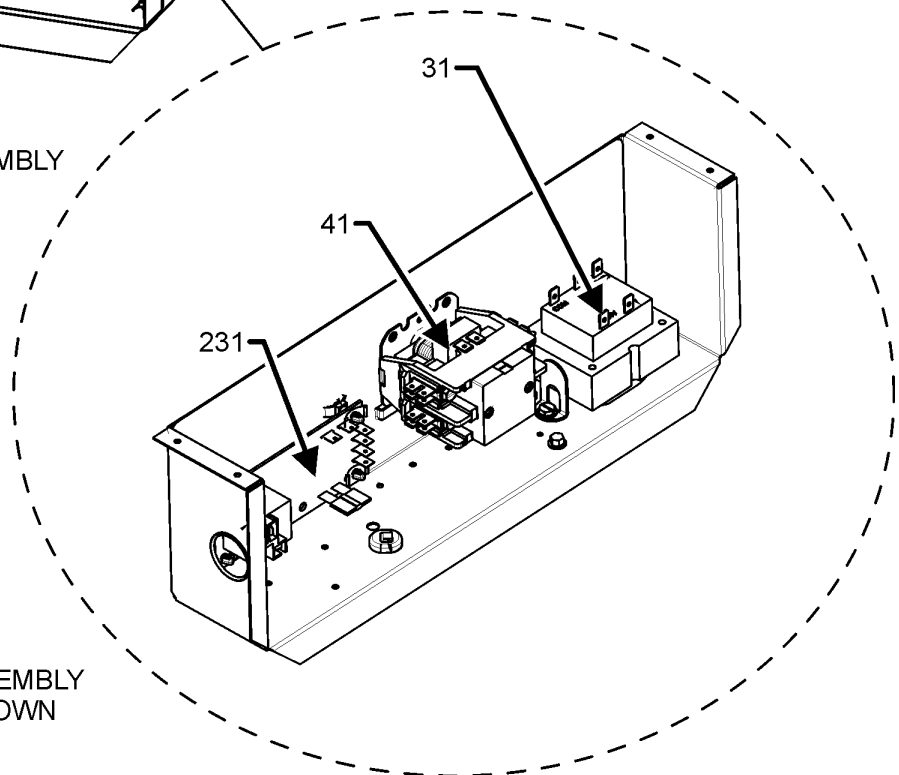
- M1 - AWUT240514AA
- M2 - AWUT240514AB
- M3 - AWUT240514AC
- M4 - AWUT240814AA
- M5 - AWUT240814AB
- M6 - AWUT240814AC
- M7 - AWUT241014AA
- M8 - AWUT241014AB
- M9 - AWUT241014AC

HEATER PANEL ASSEMBLY

HEATER PANEL ASSEMBLY



CONTROL PANEL ASSEMBLY



CONTROL / HEATER PANEL ASSEMBLY
MAY DIFFER FROM WHAT IS SHOWN

HEATER PANEL ASSEMBLY

Ref. Part No:	No:	Description:	Ref. Part No:	No:	Description:
---------------	-----	--------------	---------------	-----	--------------

Image 1:

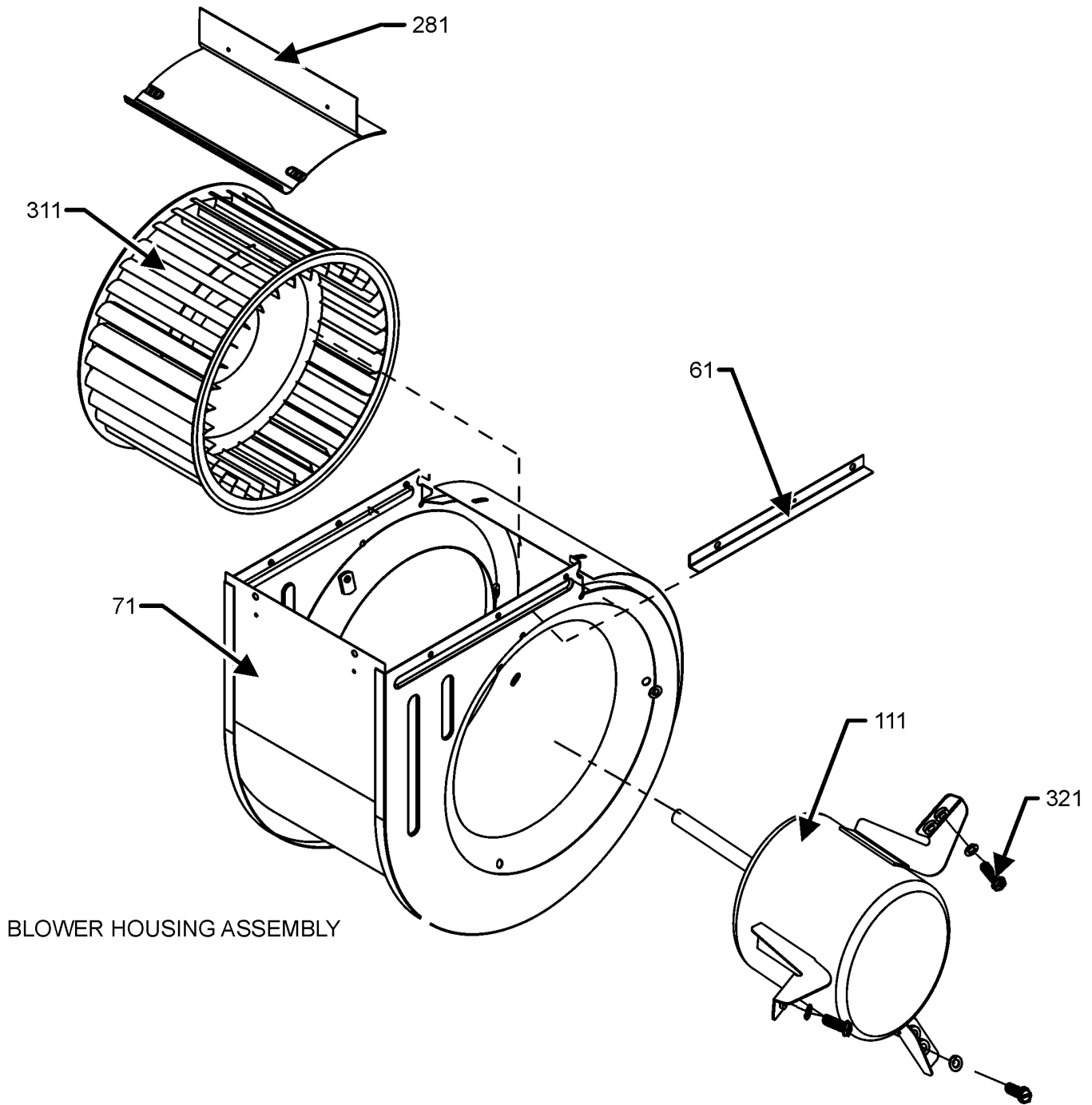
11	BT1420029	ELEMENT, 4.8 KW SMALL HEATER (M1, M2, M3)
11	BT1420030	ELEMENT, 7.3 KW SMALL HEATER (M4, M5, M6)
11	BT1420031	ELEMENT, 9.8 KW SMALL HEATER (M7, M8, M9)
21	0130A00167	DISCONNECT, PULLOUT
31	0130M00138	TRANSFORMER, 208/230, 24V
41	CONT2P040024V	CONTACTOR
231	PCBFM132	PCB, TIME DELAY (M3, M6, M9)
231	PCBFM103	PCB, TIME DELAY, EBTDR (M1, M2, M4, M5, M7, M8)

Expanded Model Nomenclature

M1 - AWUT240514AA
M2 - AWUT240514AB
M3 - AWUT240514AC
M4 - AWUT240814AA
M5 - AWUT240814AB
M6 - AWUT240814AC
M7 - AWUT241014AA
M8 - AWUT241014AB
M9 - AWUT241014AC

BLOWER ASSEMBLY

BLOWER ASSEMBLY



BLOWER HOUSING ASSEMBLY

BLOWER ASSEMBLY MAY DIFFER FROM WHAT IS SHOWN

BLOWER ASSEMBLY

Ref. Part No:	No:	Description:	Ref. Part No:	No:	Description:
---------------	-----	--------------	---------------	-----	--------------

Image 1:

61	3702700	ANGLE, 9" BLOWER
71	3760200	WELDMENT; BLOWER HOUSING
111	0131A00032	MOTOR, 1/5HP, 2SP, 6PL (M2, M3, M5, M6, M8, M9)
111	BT1340030	MOTOR, 1/5HP, 2SP, 6PL (M1, M4, M7)
281	3739000	CUT-OFF; 6" BLOWER
311	0150M00061	WHEEL,BLOWER
321	M0250558	TC SCREW (QTY 3)
NS	CAP075000370LA	CAP, 7.5 MFD/370V/OVAL
NS	3784800	STRAP; CAPACITOR

Expanded Model Nomenclature

- M1 - AWUT240514AA
- M2 - AWUT240514AB
- M3 - AWUT240514AC
- M4 - AWUT240814AA
- M5 - AWUT240814AB
- M6 - AWUT240814AC
- M7 - AWUT241014AA
- M8 - AWUT241014AB
- M9 - AWUT241014AC