

# REPAIR PARTS

---

## AWUF Air Handler

AWUF180316BE  
AWUF180516BE  
AWUF180816BE  
AWUF310516AF  
AWUF310816AE  
AWUF321016AE  
AWUF370516BE  
AWUF370816BE  
AWUF371016BE



This manual is to be used by qualified technicians only.

© 2021 Goodman Manufacturing Company, L.P. ♦ 5151 San Felipe St, Suite 500 ♦ Houston, TX 77056

# Important Information

---

## Index

Functional Parts List .....	3
Illustration and Parts .....	4 - 11

*Views shown are for parts illustrations only, not servicing procedures.*

### Text Codes:

AR - As Required

NA - Not Available

NS - Not Shown

00000000 - See Note

QTY - Quantity Example (QTY 3) (If Quantity not shown, Quantity = 1)

M - Model Example (M1) (If M Code not shown, then part is used on all Models)

### Expanded Model Nomenclature:

Example M1 - Model#1 M2 - Model#2 M3 - Model#3
---

Goodman Manufacturing Company, L.P. is not responsible for personal injury or property damage resulting from improper service. Review all service information before beginning repairs.

Warranty service must be performed by an authorized technician, using authorized factory parts. If service is required after the warranty expires, Goodman Manufacturing Company, L.P. also recommends contacting an authorized technician and using authorized factory parts.

Goodman Manufacturing Company, L.P. reserves the right to discontinue, or change at any time, specifications or designs without notice or without incurring obligations.

For assistance within the U.S.A. contact:  
Homeowner Support  
Goodman Manufacturing Company, L.P.  
19001 Kermier Road  
Waller, Texas 77484  
877-254-4729-Telephone  
713-863-2382-Facsimile

For assistance outside the U.S.A. contact:  
International Division  
Goodman Manufacturing Company, L.P.  
19001 Kermier Road  
Waller, Texas 77484  
713-861-2500-Telephone  
713-863-2382-Facsimile

# Functional Parts

## Part

## No: Description:

---

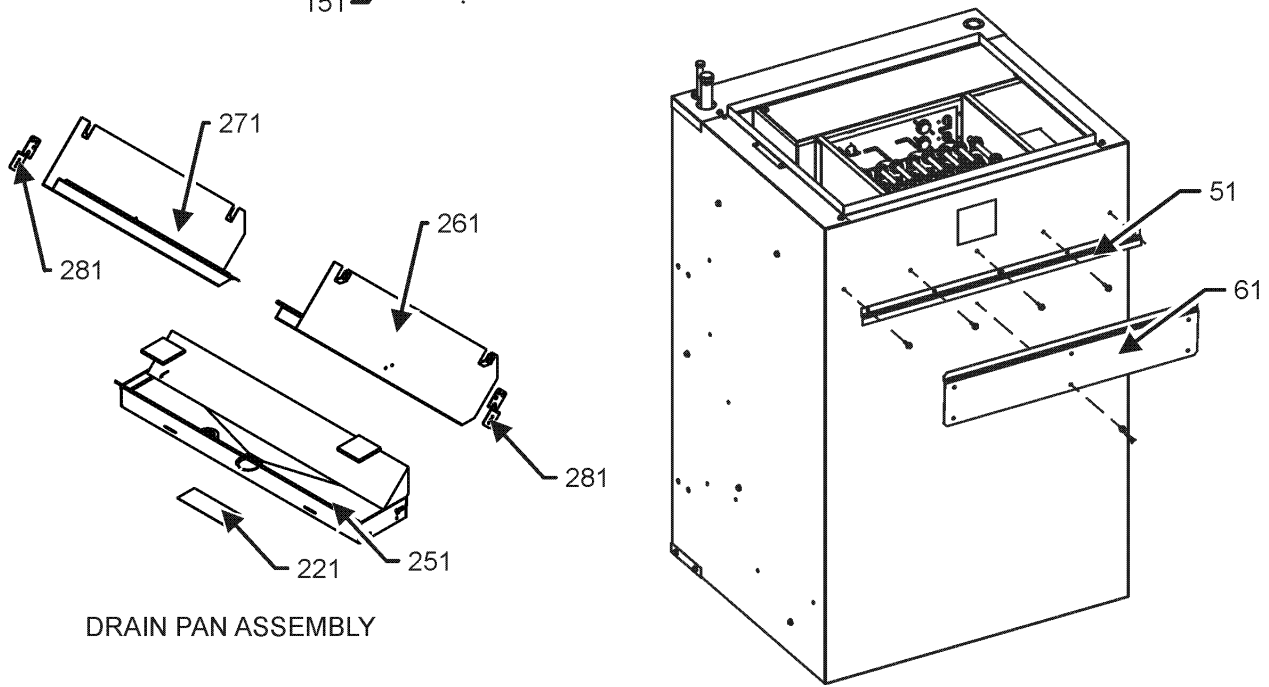
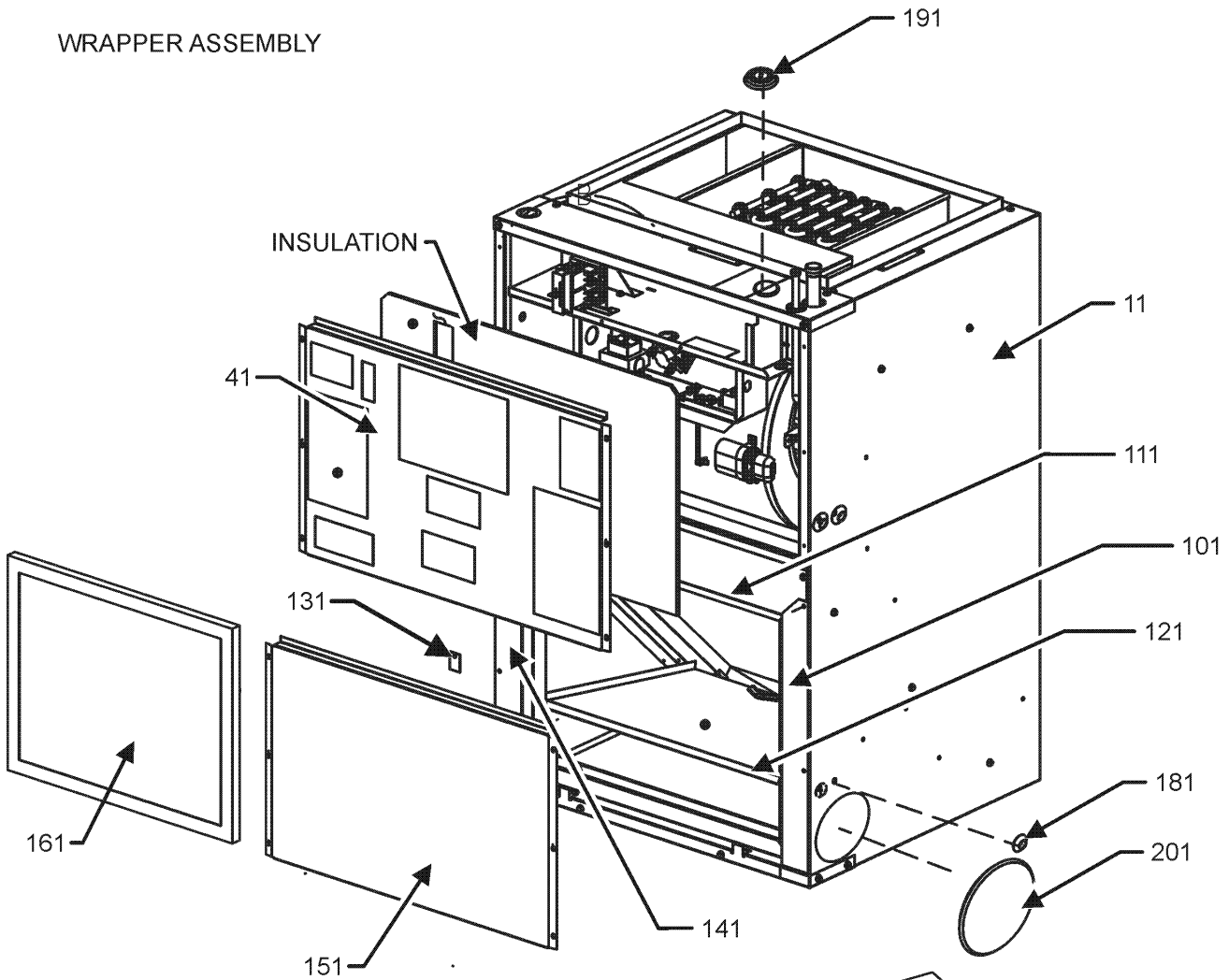
BT1420028	ASM, HEATER(SMALL 3KW) (M1)
CAP075000370LA	CAPACITOR 7.5/370V (M1, M2, M3)
CONT2P040024V	CONTACTOR 40 AMP, 2P, 24V
BT1420032	ELEMENT, 4.8 KW LARGE HEATER (M4, M7)
BT1420029	ELEMENT, 4.8 KW SMALL HEATER (M2)
BT1420030	ELEMENT, 7.3 KW SMALL HEATER (M3)
BT1420040	ELEMENT, 7.3KW HEATER (M5, M8)
BT1420039	ELEMENT, 9.8KW HEATER (M6, M9)
0131A00026	MOTOR, 1/5HP, 2SP,6PL (M1, M2, M3)
0131M01022	MOTOR-PROGRAMMED (M7, M8, M9)
0131M01021	MOTOR-PROGRAMMED (M5, M6)
0131M01020	MOTOR-PROGRAMMED (M4)
PCBFM103	PCB, TIME DELAY, EBTDR (M1, M2, M3)
0130M00138	TRANSFORMER, 208/230, 24V

### Expanded Model Nomenclature

M1 - AWUF180316BE
M2 - AWUF180516BE
M3 - AWUF180816BE
M4 - AWUF310516AF
M5 - AWUF310816AE
M6 - AWUF321016AE
M7 - AWUF370516BE
M8 - AWUF370816BE
M9 - AWUF371016BE

# WRAPPER ASSEMBLY

WRAPPER ASSEMBLY



DRAIN PAN ASSEMBLY

# WRAPPER ASSEMBLY

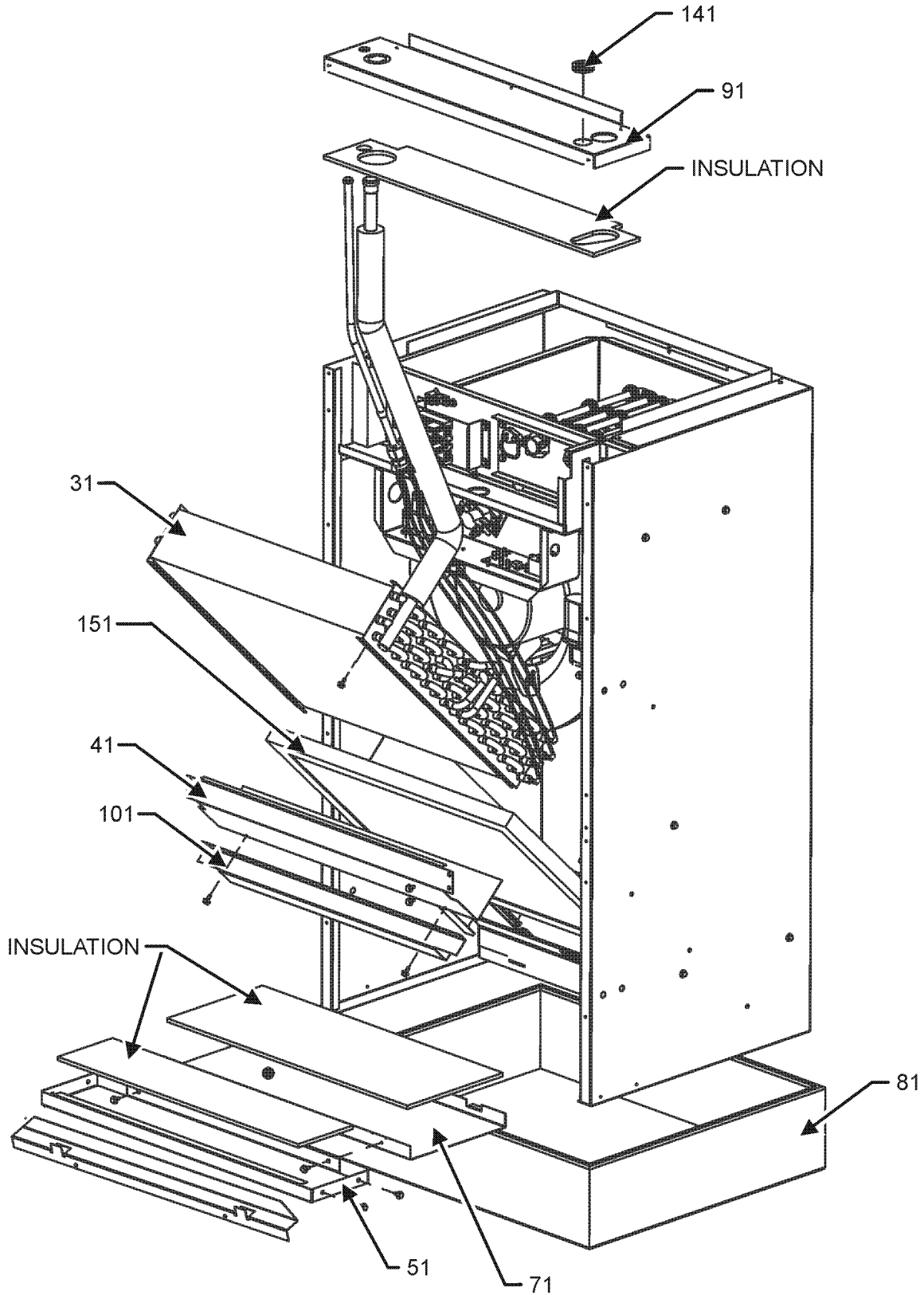
Ref. Part No:	No:	Description:	Ref. Part No:	No:	Description:
<b>Image 1:</b>					
11	3702005	WRAPPER, LARGE (M4, M5, M6, M7, M8, M9)			
11	3702004	WRAPPER, SMALL (M1, M2, M3)			
41	3701535	PANEL, LARGE FRONT ACCESS (M4, M5, M6, M7, M8, M9)			
41	0121A00450	PANEL, SMALL FRONT ACCESS (M1, M2, M3)			
51	3702500	HANGING BRACKET LRG (M4, M5, M6, M7, M8, M9)			
51	3702501	HANGING BRACKET SML (M1, M2, M3)			
61	3702800	HANGING BRACKET, FIELD			
101	0121A01301	BRKT, LEFT FILTER LRG (M4, M5, M6, M7, M8, M9)			
111	0121A00042	BRKT, LRG TOP FILTER (M4, M5, M6, M7, M8, M9)			
121	3701242	DRIP SHIELD LRG (M4, M5, M6, M7, M8, M9)			
131	3701243	BKT, LRG RETAINER (M4, M5, M6, M7, M8, M9)			
141	0121A01302	BRKT, RIGHT FILTER (M4, M5, M6, M7, M8, M9)			
151	3701505	LOWER ACCESS PANEL-FRONT (M1, M2, M3)			
161	0160L00139	AIR FILTER (M1, M2, M3)			
161	0160L00388	AIR FILTER 18X20X1 (M4, M5, M6, M7, M8, M9)			
181	0161A00068	PLUG-BUTTON (QTY 2)			
191	0161A00067	FLUSH PLUG			
201	0161A00068	PLUG-BUTTON (QTY 2)			
221	0128R00007	SHIELD, DRAINPAN			
251	0161R00021	DRAIN PAN LARGE (M4, M5, M6, M7, M8, M9)			
251	0161R00022	DRAIN PAN SMALL (M1, M2, M3)			
281	3701805	BRACKET, OFFSET (QTY 2)			
NS	3701203	FILTER SUPPORT SML (M1, M2, M3)			

## Expanded Model Nomenclature

M1 - AWUF180316BE
M2 - AWUF180516BE
M3 - AWUF180816BE
M4 - AWUF310516AF
M5 - AWUF310816AE
M6 - AWUF321016AE
M7 - AWUF370516BE
M8 - AWUF370816BE
M9 - AWUF371016BE

# EVAPORATOR COIL ASSEMBLY

## EVAPORATOR COIL ASSEMBLY



EVAPORATOR COIL ASSEMBLY MAY DIFFER FROM WHAT IS SHOWN

# EVAPORATOR COIL ASSEMBLY

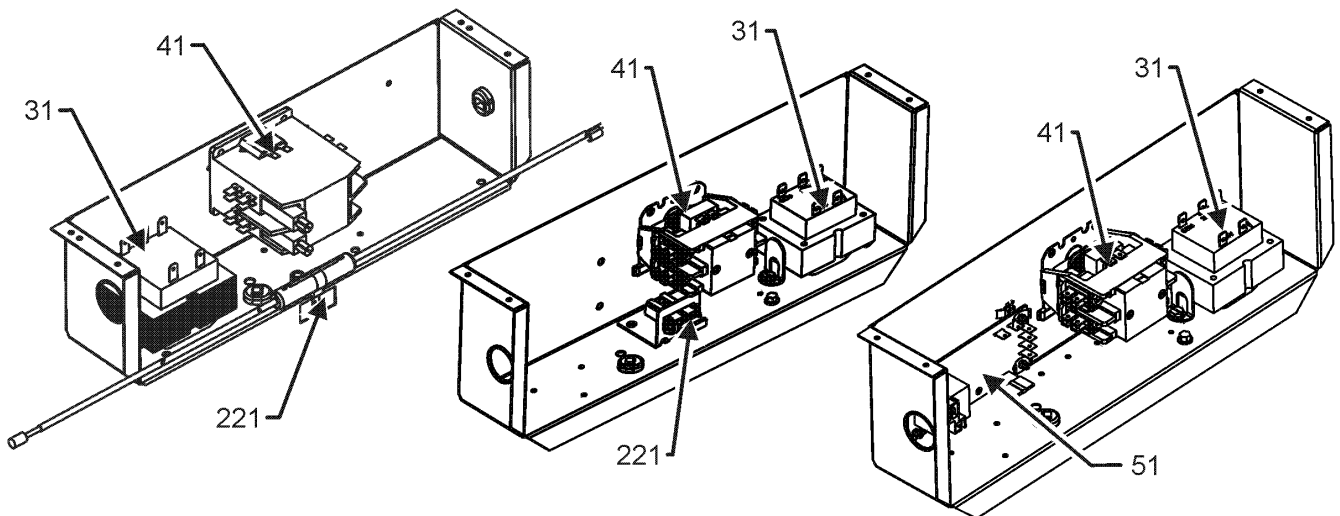
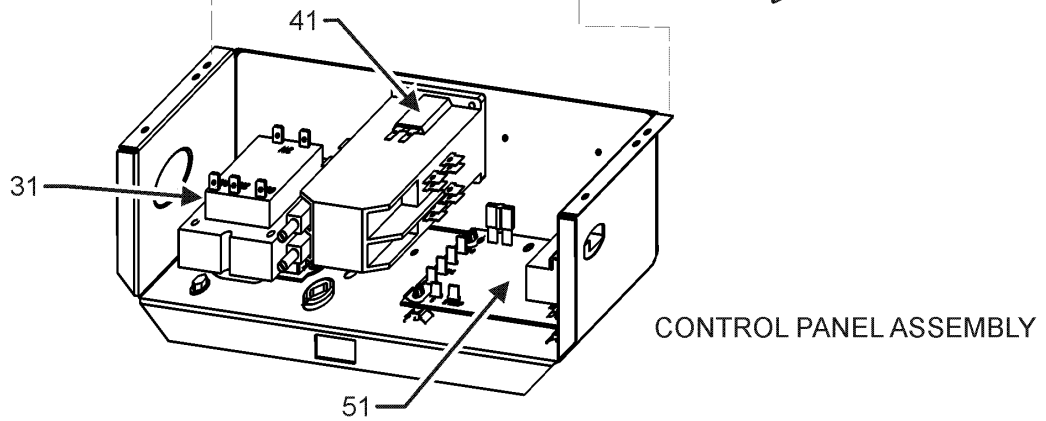
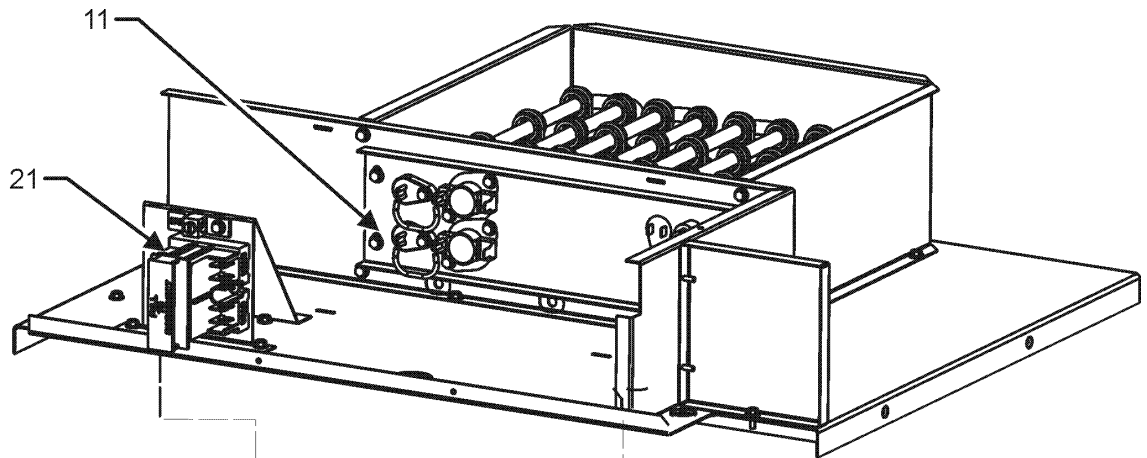
Ref. Part No:	No:	Description:	Ref. Part No:	No:	Description:
<b>Image 1:</b>					
31	0270A01153	COIL TUBING ASSY (M7, M8, M9)			
31	0270A01154	COIL TUBING ASSY (M1, M2, M3)			
31	0270A01168	COIL TUBING ASSY (M4, M5, M6)			
51	0121A01223	PLATE, BOTTOM TIE (M4, M5, M6, M7, M8, M9)			
51	0121A01224	PLATE, BOTTOM TIE (M1, M2, M3)			
71	3701500	ACCESS PANEL, DRAIN LRG (M4, M5, M6, M7, M8, M9)			
71	3701502	ACCESS PANEL, DRAIN SML (M1, M2, M3)			
81	BT1700051	CAP; LG. AIR HANDLER BOTTOM (M4, M5, M6, M7, M8, M9)			
81	BT1700050	CAP; SM. AIR HANDLER BOTTOM (M1, M2, M3)			
91	3702105	TOP WRAPPER LRG (M4, M5, M6, M7, M8, M9)			
91	3702104	TOP WRAPPER SML (M1, M2, M3)			
101	3701802	FILTER OFFSET BRACKET SML (M1, M2, M3)			
141	0164A00002	GROMMET			
151	0160L00139	AIR FILTER (M1, M2, M3)			
151	0160L00388	AIR FILTER 18X20X1 (M4, M5, M6, M7, M8, M9)			
NS	0163M00175	CAP WITH O-RING (M1, M2, M3)			
NS	B1787000	VALVE CORE (M4, M5, M6, M7, M8, M9)			

## Expanded Model Nomenclature

M1 - AWUF180316BE
M2 - AWUF180516BE
M3 - AWUF180816BE
M4 - AWUF310516AF
M5 - AWUF310816AE
M6 - AWUF321016AE
M7 - AWUF370516BE
M8 - AWUF370816BE
M9 - AWUF371016BE

# HEATER PANEL ASSEMBLY

## HEATER PANEL ASSEMBLY



## ALTERNATE CONTROL PANEL ASSEMBLIES

CONTROL PANEL ASSEMBLY MAY DIFFER FROM WHAT IS SHOWN

# HEATER PANEL ASSEMBLY

Ref. Part No:	No:	Description:	Ref. Part No:	No:	Description:
---------------	-----	--------------	---------------	-----	--------------

**Image 1:**

11	BT1420028	ASM, HEATER(SMALL 3KW) (M1)
11	BT1420032	ELEMENT, 4.8 KW LARGE HEATER (M4, M7)
11	BT1420029	ELEMENT, 4.8 KW SMALL HEATER (M2)
11	BT1420030	ELEMENT, 7.3 KW SMALL HEATER (M3)
11	BT1420040	ELEMENT, 7.3KW HEATER (M5, M8)
11	BT1420039	ELEMENT, 9.8KW HEATER (M6, M9)
21	0130A00091	DISCONNECT, PULL OUT
31	0130M00138	TRANSFORMER, 208/230, 24V
41	CONT2P040024V	CONTACTOR 40 AMP, 2P, 24V
51	PCBFM103	PCB, TIME DELAY, EBTDR (M1, M2, M3)
221	0130M00488	FUSE HOLDER (M4, M5, M6, M7, M8, M9)
NS	3701538	BKT, LRG DSCNCT MTG (M4, M5, M6, M7, M8, M9)
NS	3701537	BKT, SML DSCNCT MTG (M1, M2, M3)

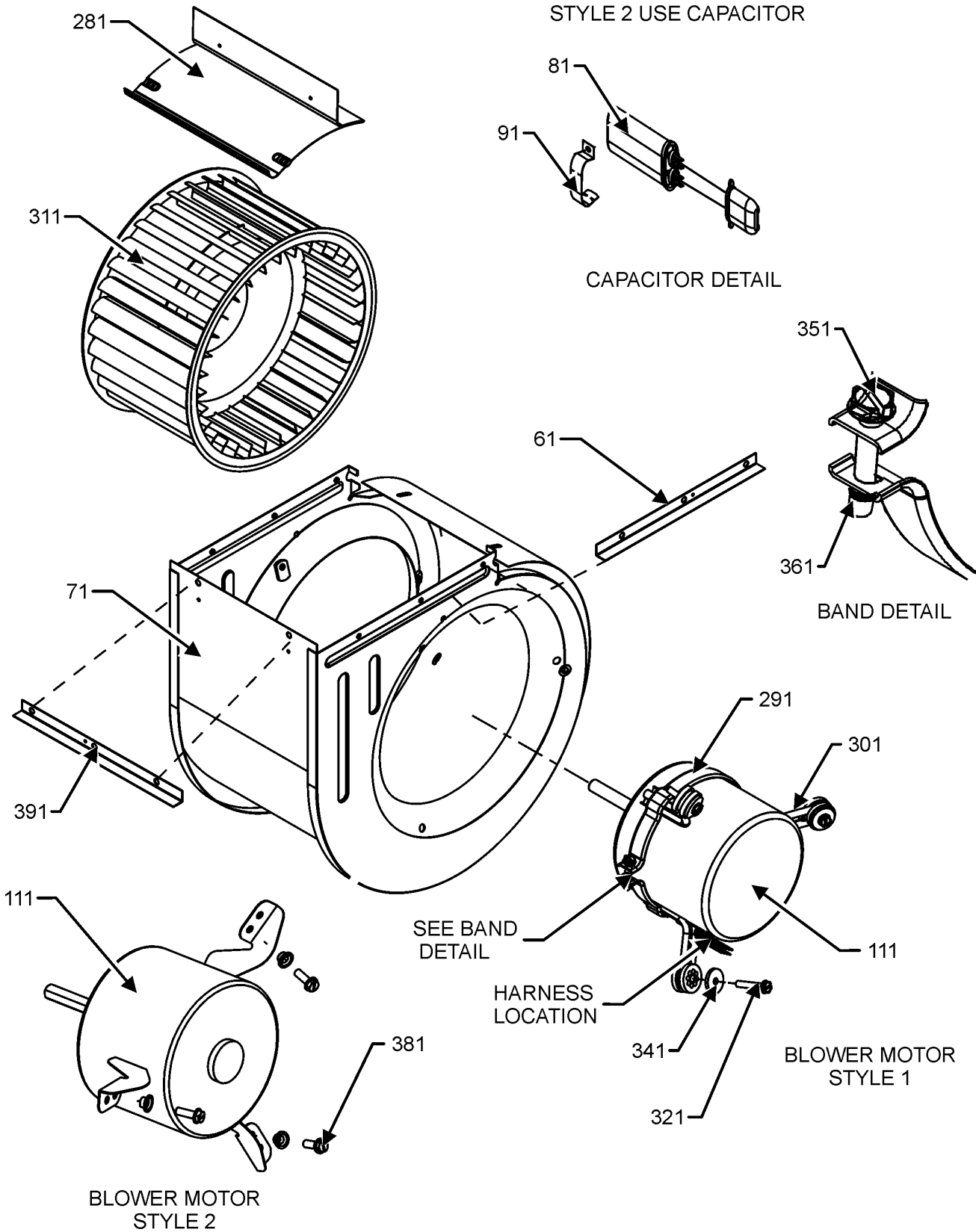
**Expanded Model Nomenclature**

M1 - AWUF180316BE
M2 - AWUF180516BE
M3 - AWUF180816BE
M4 - AWUF310516AF
M5 - AWUF310816AE
M6 - AWUF321016AE
M7 - AWUF370516BE
M8 - AWUF370816BE
M9 - AWUF371016BE

# BLOWER ASSEMBLY

## BLOWER ASSEMBLY

MODELS WITH BLOWER MOTOR  
STYLE 2 USE CAPACITOR



# BLOWER ASSEMBLY

Ref. Part No:	Ref. Part No:	Description:	Description:
<b>Image 1:</b>			
61	3702702	BLOWER ANGLE 6.063" (M1, M2, M3)	
61	3702701	BLOWER ANGLE 8.531" (M4, M5, M6, M7, M8, M9)	
71	3760200	WELDMENT, BLWR HSG. (M1, M2, M3)	
71	3760202	WELDMENT, BLWR HSG. (M4, M5, M6, M7, M8, M9)	
81	CAP075000370LA	CAPACITOR 7.5/370V (M1, M2, M3)	
91	3784800	CAPACITOR STRAP (M1, M2, M3)	
111	0131A00026	MOTOR, 1/5HP, 2SP,6PL (M1, M2, M3)	
111	0131M01020	MOTOR-PROGRAMMED (M4)	
111	0131M01021	MOTOR-PROGRAMMED (M5, M6)	
111	0131M01022	MOTOR-PROGRAMMED (M7, M8, M9)	
281	3739000	BLOWER CUT-OFF 6" (M1, M2, M3)	
281	3739002	BLOWER CUT-OFF LRG (M4, M5, M6, M7, M8, M9)	
291	0121M00038	MOTOR MOUNT BAND (M4, M5, M6, M7, M8, M9)	
301	B1376861	MOTOR MOUNT ARM (M4, M5, M6, M7, M8, M9)	
311	B1368042	BLOWER WHEEL (9 X 6) (M1, M2, M3)	
311	0150M00058	WHEEL, BLOWER (M4, M5, M6, M7, M8, M9)	
321	M0250565	SCREW-TC 1.25" (M4, M5, M6, M7, M8, M9)	
341	B1392918	WASHER, FLAT 1/4 ID X 1 OD (M4, M5, M6, M7, M8, M9)	
351	B1393323	MACHINE SCREW HWH 1/4-20 X 1-1/2 BZ (M4, M5, M6, M7, M8, M9)	
361	B1393800	LOCKNUT, NYLON, INSERT 1/4 (M4, M5, M6, M7, M8, M9)	
381	M0250558	SCREW-TC H (M1, M2, M3)	
391	3702705	BLOWER ANGLE 10" (M4, M5, M6, M7, M8, M9)	
391	3702700	BLOWER ANGLE 9" (M1, M2, M3)	
NS	0130A00021	X-13 LOW VOLTAGE WIRE HARNESS (M4, M5, M6, M7, M8, M9)	
NS	0130M00022	X-13 POWER HARNESS (M4, M5, M6, M7, M8, M9)	

## Expanded Model Nomenclature

M1 - AWUF180316BE
M2 - AWUF180516BE
M3 - AWUF180816BE
M4 - AWUF310516AF
M5 - AWUF310816AE
M6 - AWUF321016AE
M7 - AWUF370516BE
M8 - AWUF370816BE
M9 - AWUF371016BE