

# REPAIR PARTS

---

## AWUF Air Handler

AWUF180316BD  
AWUF180516BD  
AWUF180816BD  
AWUF190316AC  
AWUF190316BA  
AWUF190516AC  
AWUF190516BA  
AWUF190816AC  
AWUF190816BA  
AWUF240316BD  
AWUF240516BD  
AWUF240816BD  
AWUF241016BC  
AWUF250316AC  
AWUF250516AC  
AWUF250816AC  
AWUF251016AC  
AWUF300516BE  
AWUF300816BE  
AWUF301016BE  
AWUF310516AE  
AWUF310816AD  
AWUF321016AD  
AWUF360516BE  
AWUF360816BE  
AWUF361016BE  
AWUF370516BD  
AWUF370816BD  
AWUF371016BD



This manual is to be used by qualified technicians only.

This manual replaces RP-4312.

© 2017 , 2019, 2021 Goodman Manufacturing Company, L.P. ♦ 5151 San Felipe St, Suite 500 ♦ Houston, TX 77056

# Important Information

---

## Index

Functional Parts List .....	3
Illustration and Parts .....	4 - 11

*Views shown are for parts illustrations only, not servicing procedures*

### Text Codes:

AR - As Required

NA - Not Available

NS - Not Shown

00000000 - See Note

QTY - Quantity Example (QTY 3) (If Quantity not shown, Quantity = 1)

M - Model Example (M1) (If M Code not shown, then part is used on all Models)

### Expanded Model Nomenclature:

Example M1 - Model#1 M2 - Model#2 M3 - Model#3
---

Goodman Manufacturing Company, L.P. is not responsible for personal injury or property damage resulting from improper service. Review all service information before beginning repairs.

Warranty service must be performed by an authorized technician, using authorized factory parts. If service is required after the warranty expires, Goodman Manufacturing Company, L.P. also recommends contacting an authorized technician and using authorized factory parts.

Goodman Manufacturing Company, L.P. reserves the right to discontinue, or change at any time, specifications or designs without notice or without incurring obligations.

For assistance within the U.S.A. contact:  
Homeowner Support  
Goodman Manufacturing Company, L.P.  
19001 Kermier Road  
Waller, Texas 77484  
877-254-4729-Telephone  
713-863-2382-Facsimile

For assistance outside the U.S.A. contact:  
International Division  
Goodman Manufacturing Company, L.P.  
19001 Kermier Road  
Waller, Texas 77484  
713-861-2500-Telephone  
713-863-2382-Facsimile

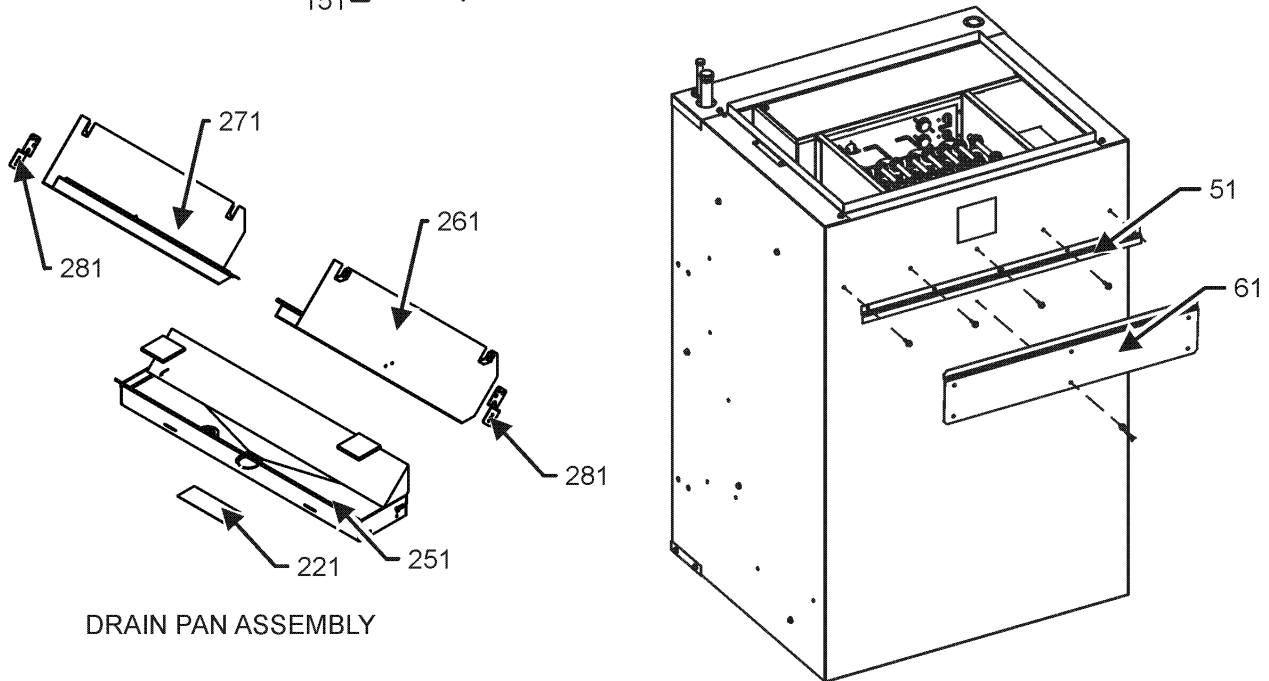
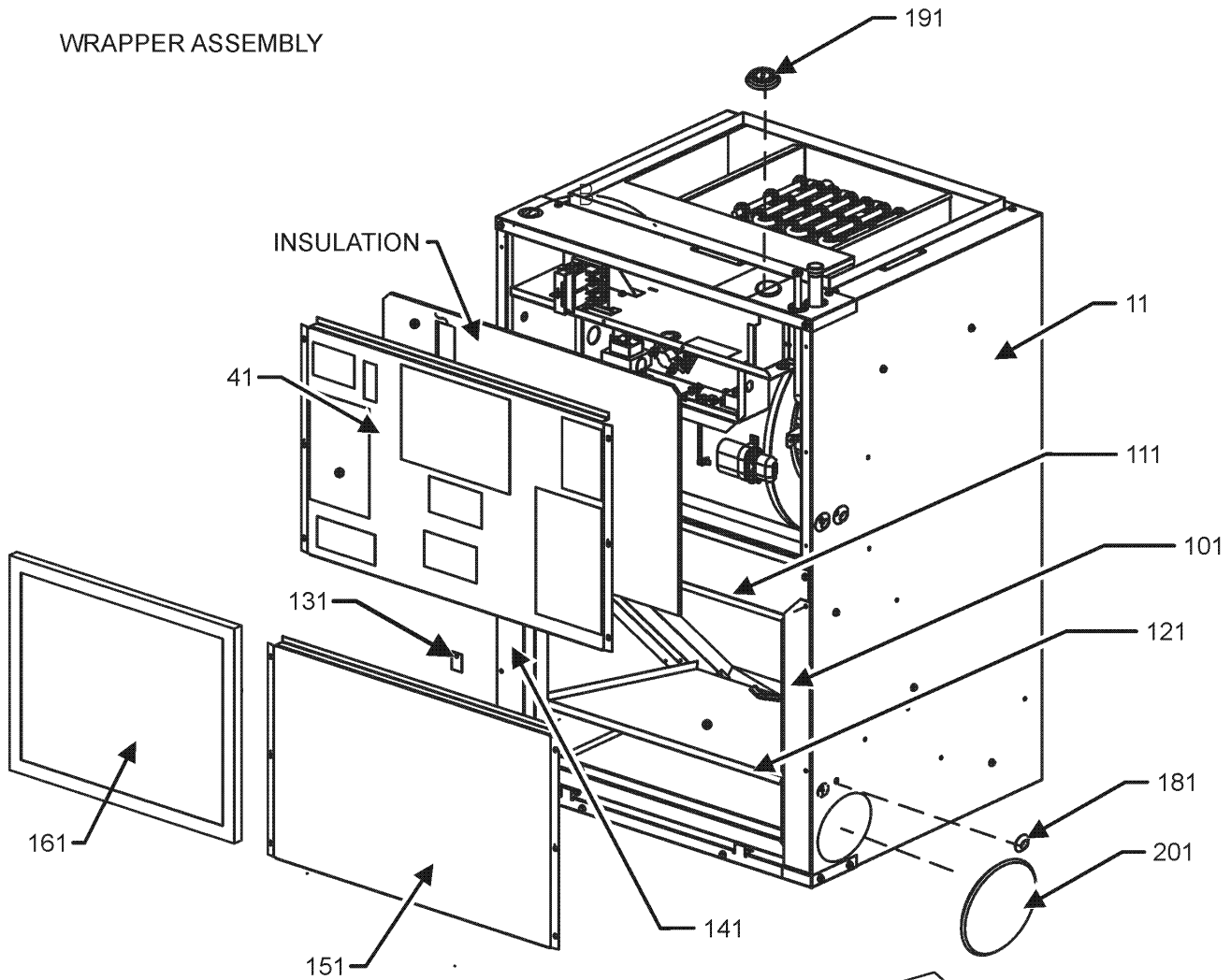
# Functional Parts

**Part No:**      **Description:**

Part No:	Description:	Expanded Model Nomenclature
BT1420028	ASM, HEATER(SMALL 3KW) (M1, M4, M5, M10, M14)	M1 - AWUF180316BD
BT1340030	BLOWER MOTOR 1/5 HP, 2 SP, 6 PL (M1, M2, M3, M10, M11, M12, M13)	M2 - AWUF180516BD
BT1340031	BLOWER MOTOR, 1/3HP, 2SP, 6PL (M18, M19, M20, M24, M25, M26)	M3 - AWUF180816BD
0131M00502	BLOWER MOTOR, 1/2HP, SELECTECH PROGRAM (M22, M23)	M4 - AWUF190316AC
0131M00501	BLOWER MOTOR, 1/2HP, SELECTECH PROGRAM (M21)	M5 - AWUF190316BA
0131M00503	BLOWER MOTOR, 1/2HP, SELECTECH PROGRAM (M27, M28, M29)	M6 - AWUF190516AC
0131M00739	BLOWER MOTOR, 1/3HP, BROAD OCEAN (M4, M6, M8, M14, M15, M16, M17)	M7 - AWUF190516BA
CAP075000370LA	CAPACITOR 7.5/370V (M1, M2, M3, M10, M11, M12, M13, M18, M19, M20, M24, M25, M26)	M8 - AWUF190816AC
CONT2P040024V	CONTACTOR 40 AMP, 2P, 24V	M9 - AWUF190816BA
PCBFM103	ELECTRONIC BLOWER TIME DELAY (M1, M2, M3, M10, M11, M12, M13, M18, M19, M20, M24, M25, M26)	M10 - AWUF240316BD
BT1420032	ELEMENT, 4.8 KW LARGE HEATER (M18, M21, M24, M27)	M11 - AWUF240516BD
BT1420029	ELEMENT, 4.8 KW SMALL HEATER (M2, M6, M7, M11, M15)	M12 - AWUF240816BD
BT1420033	ELEMENT, 7.3 KW HEATER (M19, M25)	M13 - AWUF241016BC
BT1420030	ELEMENT, 7.3 KW SMALL HEATER (M3, M8, M9, M12, M16)	M14 - AWUF250316AC
BT1420040	ELEMENT, 7.3KW HEATER (M22, M28)	M15 - AWUF250516AC
BT1420034	ELEMENT, 9.8 KW HEATER (M20, M26)	M16 - AWUF250816AC
BT1420031	ELEMENT, 9.8 KW SMALL HEATER (M13, M17)	M17 - AWUF251016AC
BT1420039	ELEMENT, 9.8KW HEATER (M23, M29)	M18 - AWUF300516BE
0131M00879	MOTOR (M5, M7, M9)	M19 - AWUF300816BE
0130M00138	TRANSFORMER, 208/230, 24V	M20 - AWUF301016BE
		M21 - AWUF310516AE
		M22 - AWUF310816AD
		M23 - AWUF321016AD
		M24 - AWUF360516BE
		M25 - AWUF360816BE
		M26 - AWUF361016BE
		M27 - AWUF370516BD
		M28 - AWUF370816BD
		M29 - AWUF371016BD

# WRAPPER ASSEMBLY

WRAPPER ASSEMBLY



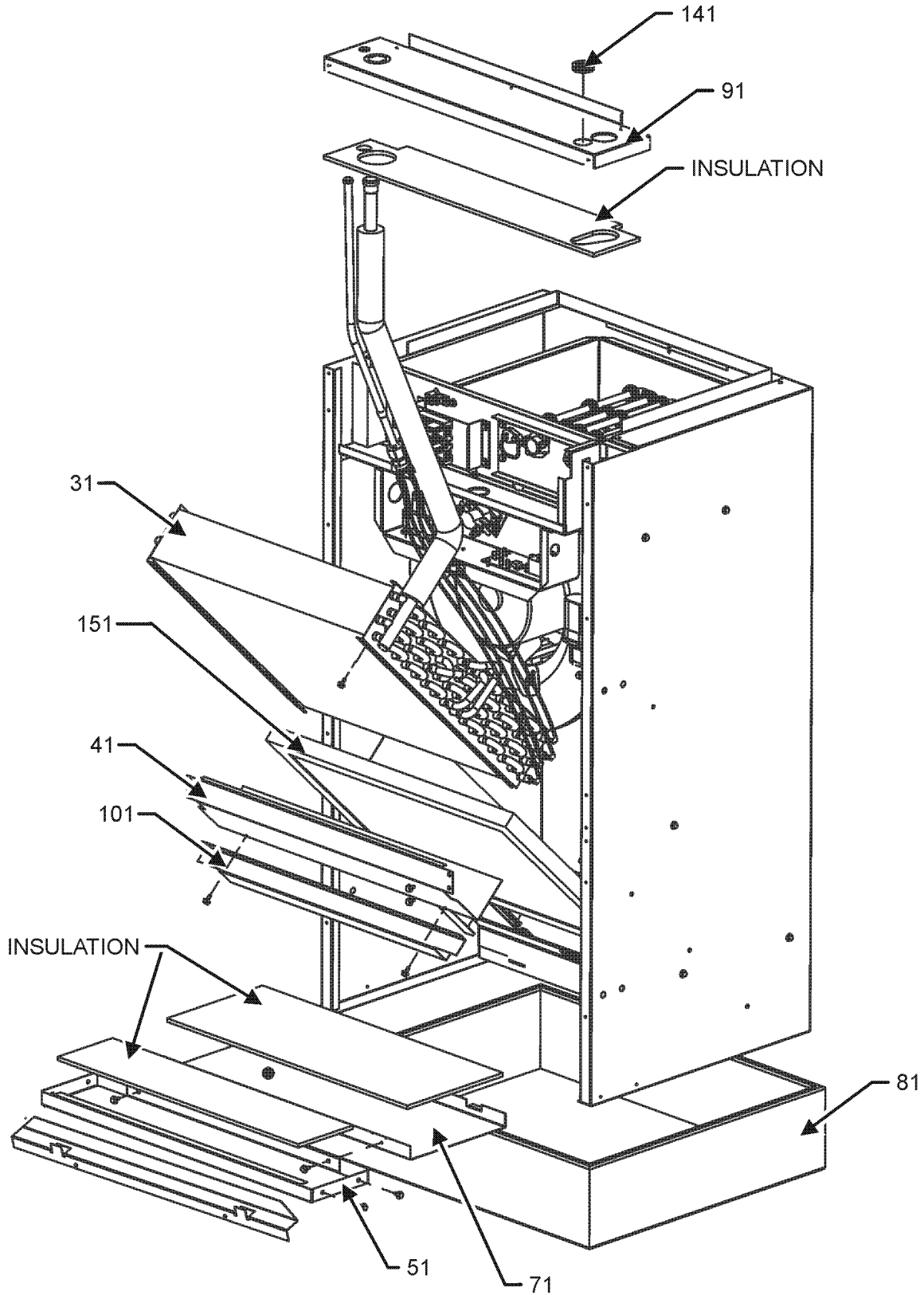
DRAIN PAN ASSEMBLY

# WRAPPER ASSEMBLY

Ref. Part No:	No:	Description:	Ref. Part No:	No:	Description:
<b>Image 1:</b>			<b>Expanded Model Nomenclature</b>		
11	3702005	WRAPPER, LARGE (M18, M19, M20, M21, M22, M23, M24, M25, M26, M27, M28, M29)	M1	-	AWUF180316BD
11	3702004	WRAPPER, SMALL (M1, M2, M3, M4, M5, M6, M7, M8, M9, M10, M11, M12, M13, M14, M15, M16, M17)	M2	-	AWUF180516BD
41	3701535	ACCESS PANEL, FRONT LRG (M18, M19, M20, M21, M22, M23, M24, M25, M26, M27, M28, M29)	M3	-	AWUF180816BD
41	0121A00450	PANEL, SMALL FRONT ACCESS (M1, M2, M3, M4, M5, M6, M7, M8, M9, M10, M11, M12, M13, M14, M15, M16, M17)	M4	-	AWUF190316AC
51	3702500	HANGING BRACKET LRG (M18, M19, M20, M21, M22, M23, M24, M25, M26, M27, M28, M29)	M5	-	AWUF190316BA
51	3702501	HANGING BRACKET SML (M1, M2, M3, M4, M5, M6, M7, M8, M9, M10, M11, M12, M13, M14, M15, M16, M17)	M6	-	AWUF190516AC
61	3702800	HANGING BRACKET, FIELD	M7	-	AWUF190516BA
101	0121A00041	BRKT, LEFT FILTER LRG (M18, M19, M20, M21, M22, M23, M24, M25, M26, M27, M28, M29)	M8	-	AWUF190816AC
111	0121A00042	BRKT, LRG TOP FILTER (M18, M19, M20, M21, M22, M23, M24, M25, M26, M27, M28, M29)	M9	-	AWUF190816BA
121	3701242	DRIP SHIELD LRG (M18, M19, M20, M21, M22, M23, M24, M25, M26, M27, M28, M29)	M10	-	AWUF240316BD
131	3701243	BKT, LRG RETAINER (M18, M19, M20, M21, M22, M23, M24, M25, M26, M27, M28, M29)	M11	-	AWUF240516BD
141	0121A00043	BRKT, RIGHT FILTER (M18, M19, M20, M21, M22, M23, M24, M25, M26, M27, M28, M29)	M12	-	AWUF240816BD
151	3701505	LOWER ACCESS PANEL-FRONT (M1, M2, M3, M4, M5, M6, M7, M8, M9, M10, M11, M12, M13, M14, M15, M16, M17)	M13	-	AWUF241016BC
161	0160L00139	Air Filter 14x18x1 (M1, M2, M3, M4, M5, M6, M7, M8, M9, M10, M11, M12, M13, M14, M15, M16, M17)	M14	-	AWUF250316AC
161	0160L00141	Air Filter 18x20x1 (M18, M19, M20, M21, M22, M23, M24, M25, M26, M27, M28, M29)	M15	-	AWUF250516AC
181	0161A00068	PLUG-BUTTON (QTY 2)	M16	-	AWUF250816AC
191	0161A00067	FLUSH PLUG	M17	-	AWUF251016AC
201	0161A00068	PLUG-BUTTON (QTY 2)	M18	-	AWUF300516BE
221	0128R00007	SHIELD, DRAIN PAN	M19	-	AWUF300816BE
251	0161R00021	DRAIN PAN LARGE (M18, M19, M20, M21, M22, M23, M24, M25, M26, M27, M28, M29)	M20	-	AWUF301016BE
251	0161R00022	DRAIN PAN SMALL (M1, M2, M3, M4, M5, M6, M7, M8, M9, M10, M11, M12, M13, M14, M15, M16, M17)	M21	-	AWUF310516AE
281	3701805	BRACKET, OFF SET (QTY 2)	M22	-	AWUF310816AD
NS	3701203	FILTER SUPPORT SML (M1, M2, M3, M4, M5, M6, M7, M8, M9, M10, M11, M12, M13, M14, M15, M16, M17)	M23	-	AWUF321016AD
			M24	-	AWUF360516BE
			M25	-	AWUF360816BE
			M26	-	AWUF361016BE
			M27	-	AWUF370516BD
			M28	-	AWUF370816BD
			M29	-	AWUF371016BD

# EVAPORATOR COIL ASSEMBLY

## EVAPORATOR COIL ASSEMBLY



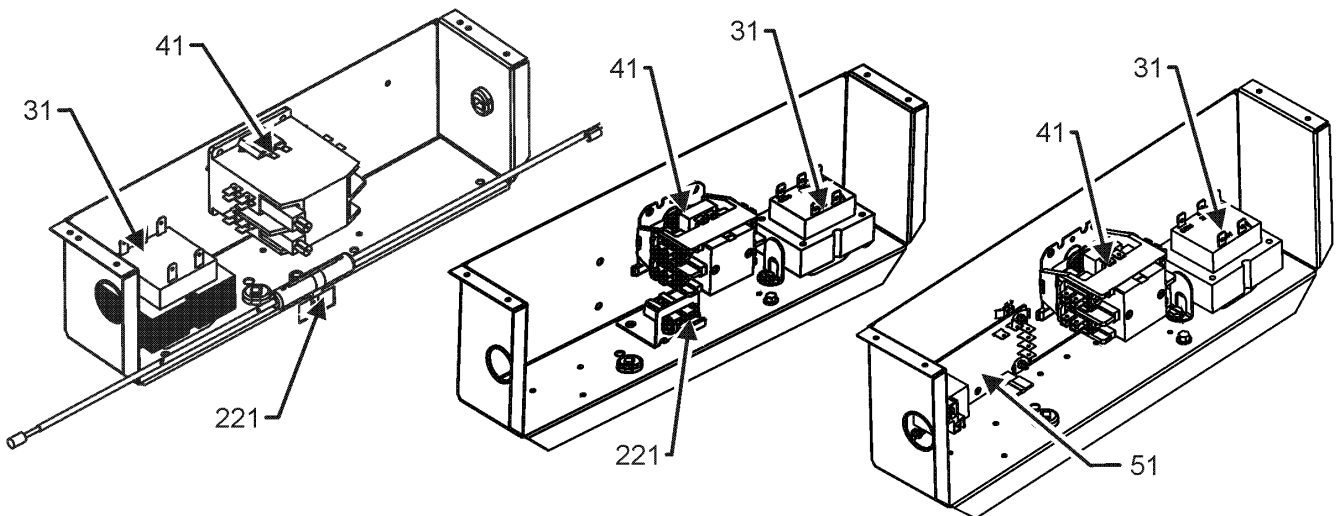
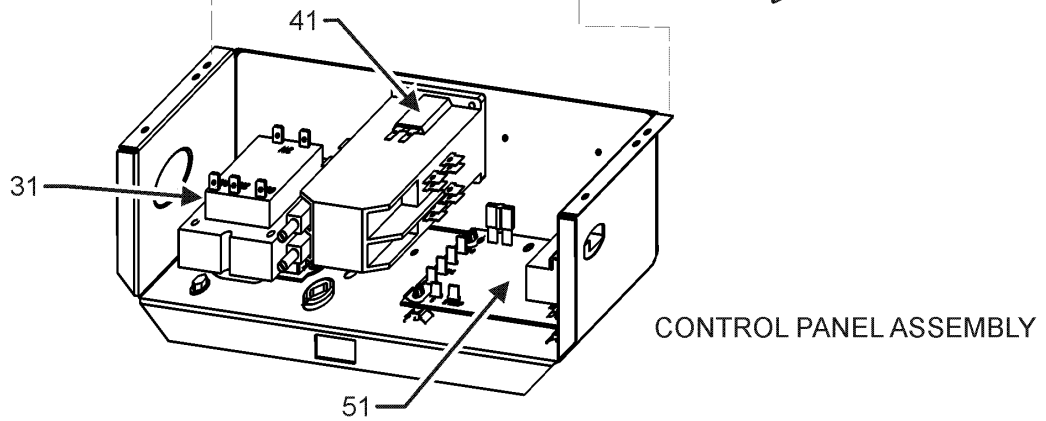
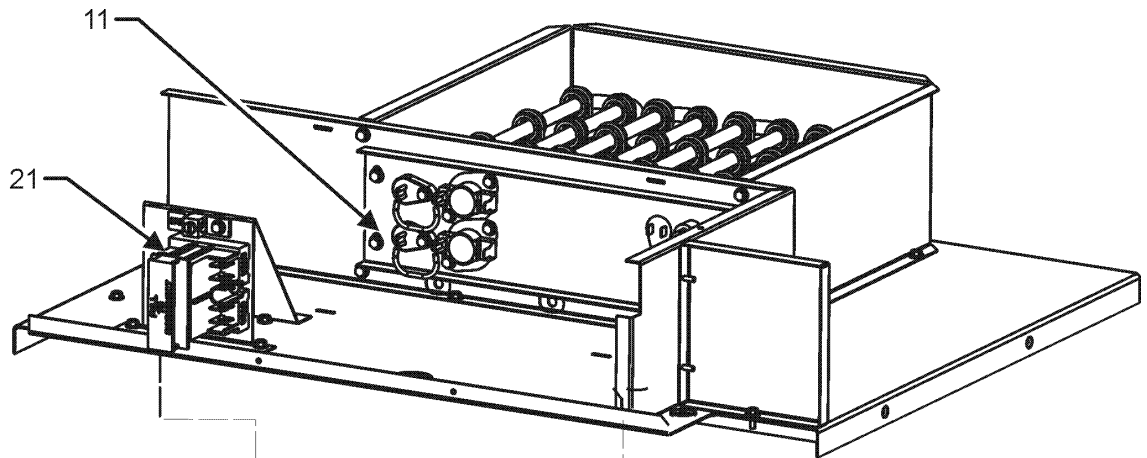
EVAPORATOR COIL ASSEMBLY MAY DIFFER FROM WHAT IS SHOWN

# EVAPORATOR COIL ASSEMBLY

Ref. Part No:	Ref. Part No:	Description:	Description:
<b>Image 1:</b>		<b>Expanded Model Nomenclature</b>	
31	0270A01153	COIL TUBING ASSY (M27, M28, M29)	M1 - AWUF180316BD
31	0270A01154	COIL TUBING ASSY (M1, M2, M3)	M2 - AWUF180516BD
31	0270A01164	COIL TUBING ASSY (M4, M5, M6, M7, M8, M9)	M3 - AWUF180816BD
31	0270A01165	COIL TUBING ASSY (M10, M11, M12, M13)	M4 - AWUF190316AC
31	0270A01166	COIL TUBING ASSY (M14, M15, M16, M17)	M5 - AWUF190316BA
31	0270A01167	COIL TUBING ASSY (M18, M19, M20)	M6 - AWUF190516AC
31	0270A01168	COIL TUBING ASSY (M21, M22, M23)	M7 - AWUF190516BA
31	0270A01169	COIL TUBING ASSY (M24, M25, M26)	M8 - AWUF190816AC
			M9 - AWUF190816BA
			M10 - AWUF240316BD
51	0121A01223	PLATE, BOTTOM TIE (M18, M19, M20, M21, M22, M23, M24, M25, M26, M27, M28, M29)	M11 - AWUF240516BD
51	0121A01224	PLATE, BOTTOM TIE (M1, M2, M3, M4, M5, M6, M7, M8, M9, M10, M11, M12, M13, M14, M15, M16, M17)	M12 - AWUF240816BD
71	3701500	ACCESS PANEL, DRAIN LRG (M18, M19, M20, M21, M22, M23, M24, M25, M26, M27, M28, M29)	M13 - AWUF241016BC
71	3701502	ACCESS PANEL, DRAIN SML (M1, M2, M3, M4, M5, M6, M7, M8, M9, M10, M11, M12, M13, M14, M15, M16, M17)	M14 - AWUF250316AC
81	BT1700051	CAP; LG. AIR HANDLER BOTTOM (M18, M19, M20, M21, M22, M23, M24, M25, M26, M27, M28, M29)	M15 - AWUF250516AC
81	BT1700050	CAP; SM. AIR HANDLER BOTTOM (M1, M2, M3, M4, M5, M6, M7, M8, M9, M10, M11, M12, M13, M14, M15, M16, M17)	M16 - AWUF250816AC
91	3702105	TOP WRAPPER LRG (M18, M19, M20, M21, M22, M23, M24, M25, M26, M27, M28, M29)	M17 - AWUF251016AC
91	3702104	TOP WRAPPER SML (M1, M2, M3, M4, M5, M6, M7, M8, M9, M10, M11, M12, M13, M14, M15, M16, M17)	M18 - AWUF300516BE
101	3701802	FILTER OFFSET BRACKET SML (M1, M2, M3, M4, M5, M6, M7, M8, M9, M10, M11, M12, M13, M14, M15, M16, M17)	M19 - AWUF300816BE
141	0164A00002	GROMMET	M20 - AWUF301016BE
151	0160L00139	Air Filter 14x18x1 (M1, M2, M3, M4, M5, M6, M7, M8, M9, M10, M11, M12, M13, M14, M15, M16, M17)	M21 - AWUF310516AE
151	0160L00141	Air Filter 18x20x1 (M18, M19, M20, M21, M22, M23, M24, M25, M26, M27, M28, M29)	M22 - AWUF310816AD
NS	0163M00175	CAP WITH O-RING	M23 - AWUF321016AD
NS	B1787000	VALVE CORE	M24 - AWUF360516BE
			M25 - AWUF360816BE
			M26 - AWUF361016BE
			M27 - AWUF370516BD
			M28 - AWUF370816BD
			M29 - AWUF371016BD

# HEATER PANEL ASSEMBLY

## HEATER PANEL ASSEMBLY



## ALTERNATE CONTROL PANEL ASSEMBLIES

CONTROL PANEL ASSEMBLY MAY DIFFER FROM WHAT IS SHOWN

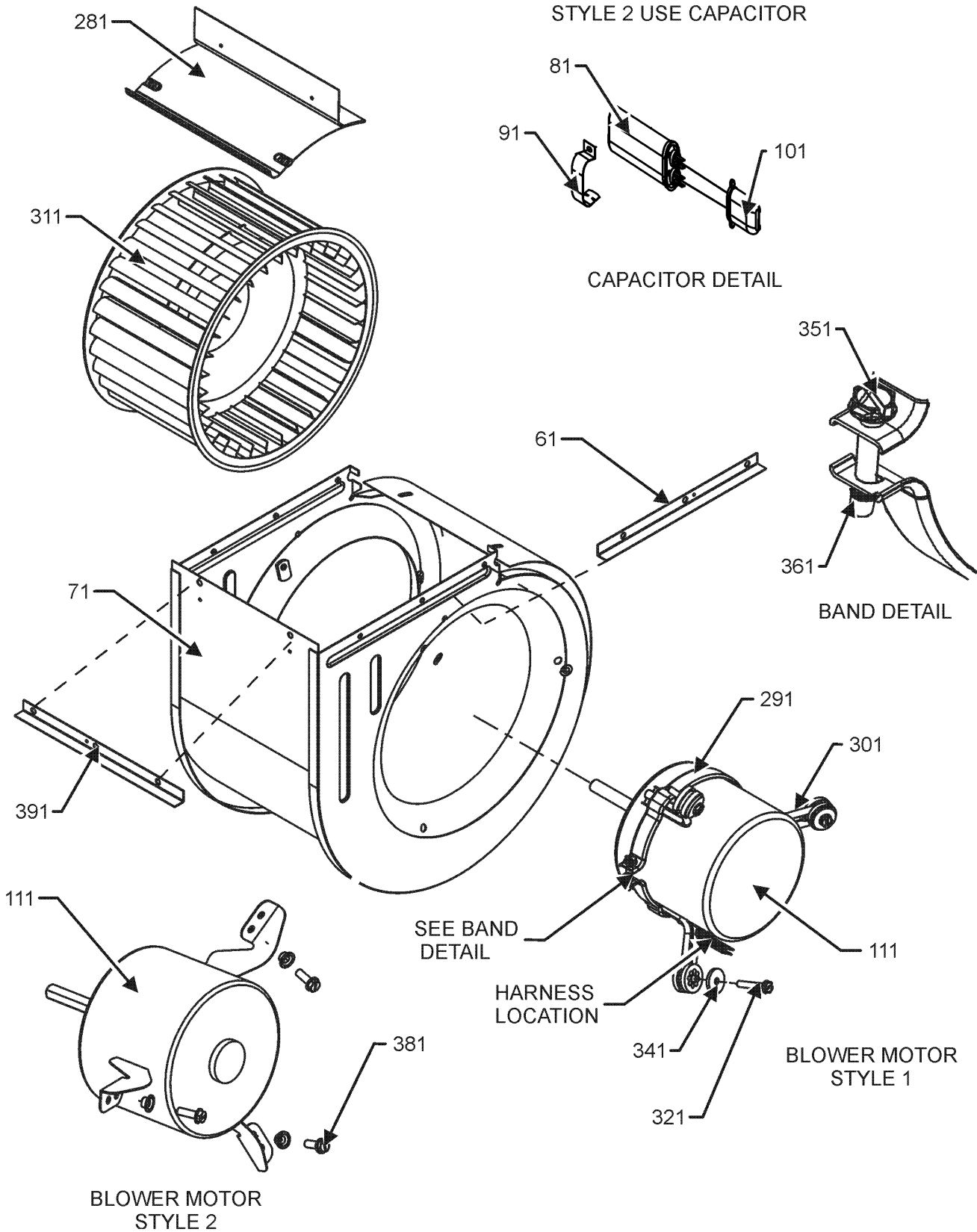
# HEATER PANEL ASSEMBLY

Ref. Part No:	No:	Description:	Ref. Part No:	No:	Description:
<b>Image 1:</b>			<b>Expanded Model Nomenclature</b>		
11	BT1420028	ASM, HEATER(SMALL 3KW) (M1, M4, M5, M10, M14)	M1	-	AWUF180316BD
11	BT1420032	ELEMENT, 4.8 KW LARGE HEATER (M18, M21, M24, M27)	M2	-	AWUF180516BD
11	BT1420029	ELEMENT, 4.8 KW SMALL HEATER (M2, M6, M7, M11, M15)	M3	-	AWUF180816BD
11	BT1420033	ELEMENT, 7.3 KW HEATER (M19, M25)	M4	-	AWUF190316AC
11	BT1420030	ELEMENT, 7.3 KW SMALL HEATER (M3, M8, M9, M12, M16)	M5	-	AWUF190316BA
11	BT1420040	ELEMENT, 7.3KW HEATER (M22, M28)	M6	-	AWUF190516AC
11	BT1420034	ELEMENT, 9.8 KW HEATER (M20, M26)	M7	-	AWUF190516BA
11	BT1420031	ELEMENT, 9.8 KW SMALL HEATER (M13, M17)	M8	-	AWUF190816AC
11	BT1420039	ELEMENT, 9.8KW HEATER (M23, M29)	M9	-	AWUF190816BA
21	0130A00091	DISCONNECT, PULL OUT	M10	-	AWUF240316BD
31	0130M00138	TRANSFORMER, 208/230, 24V	M11	-	AWUF240516BD
41	CONT2P040024V	CONTACTOR 40 AMP, 2P, 24V	M12	-	AWUF240816BD
51	PCBFM103	ELECTRONIC BLOWER TIME DELAY (M1, M2, M3, M10, M11, M12, M13, M18, M19, M20, M24, M25, M26)	M13	-	AWUF241016BC
221	0130M00488	FUSE HOLDER (M4, M5, M6, M7, M8, M9, M14, M15, M16, M17, M21, M22, M23, M27, M28, M29)	M14	-	AWUF250316AC
NS	3701538	BKT, LRG DSCNCT MTG (M18, M19, M20, M21, M22, M23, M24, M25, M26, M27, M28, M29)	M15	-	AWUF250516AC
NS	3701537	BKT, SML DSCNCT MTG (M1, M2, M3, M4, M5, M6, M7, M8, M9, M10, M11, M12, M13, M14, M15, M16, M17)	M16	-	AWUF250816AC
			M17	-	AWUF251016AC
			M18	-	AWUF300516BE
			M19	-	AWUF300816BE
			M20	-	AWUF301016BE
			M21	-	AWUF310516AE
			M22	-	AWUF310816AD
			M23	-	AWUF321016AD
			M24	-	AWUF360516BE
			M25	-	AWUF360816BE
			M26	-	AWUF361016BE
			M27	-	AWUF370516BD
			M28	-	AWUF370816BD
			M29	-	AWUF371016BD

# BLOWER ASSEMBLY

## BLOWER ASSEMBLY

MODELS WITH BLOWER MOTOR  
STYLE 2 USE CAPACITOR



# BLOWER ASSEMBLY

Ref. Part No:	Ref. Part No:	Description:	Description:	
<b>Image 1:</b>		<b>Image 1:</b>		
61	3702702	BLOWER ANGLE 6.063" (M1, M2, M3, M4, M5, M6, M7, M8, M9, M10, M11, M12, M13, M14, M15, M16, M17)	391 3702705 BLOWER ANGLE 10" (M18, M19, M20, M21, M22, M23, M24, M25, M26, M27, M28, M29)	
61	3702701	BLOWER ANGLE 8.531" (M18, M19, M20, M21, M22, M23, M24, M25, M26, M27, M28, M29)	391 3702700 BLOWER ANGLE 9" (M1, M2, M3, M4, M5, M6, M7, M8, M9, M10, M11, M12, M13, M14, M15, M16, M17)	
71	3760200	WELDMENT, BLWR HSG. (M1, M2, M3, M4, M5, M6, M7, M8, M9, M10, M11, M12, M13, M14, M15, M16, M17)	NS 0130A00112 MOTOR LOW VOLTAGE WIRE HARNESS (M8, M9, M16, M17)	
71	3760202	WELDMENT, BLWR HSG. (M18, M19, M20, M21, M22, M23, M24, M25, M26, M27, M28, M29)	NS 0130A00113 MOTOR LOW VOLTAGE WIRE HARNESS (M4, M5, M6, M7, M14, M15)	
81	CAP075000370LA	CAPACITOR 7.5/370V (M1, M2, M3, M10, M11, M12, M13, M18, M19, M20, M24, M25, M26)	NS 0130A00021 X-13 LOW VOLTAGE WIRE HARNESS (M21, M22, M23, M27, M28, M29)	
91	3784800	CAPACITOR STRAP (M1, M2, M3, M10, M11, M12, M13, M18, M19, M20, M24, M25, M26)	NS 0130M00022 X-13 POWER HARNESS (M4, M5, M6, M7, M8, M9, M14, M15, M16, M17, M21, M22, M23, M27, M28, M29)	
101	B821700	CAPACITOR BOOT (M18, M19, M20, M24, M25, M26)	<b>Expanded Model Nomenclature</b>	
111	BT1340030	BLOWER MOTOR 1/5 HP, 2 SP, 6 PL (M1, M2, M3, M10, M11, M12, M13)	M1 - AWUF180316BD	
111	BT1340031	BLOWER MOTOR, 1/3HP, 2SP, 6PL (M18, M19, M20, M24, M25, M26)	M2 - AWUF180516BD	
111	0131M00501	BLOWER MOTOR, 1/2HP, SELECTECH PROGRAM (M21)	M3 - AWUF180816BD	
111	0131M00502	BLOWER MOTOR, 1/2HP, SELECTECH PROGRAM (M22, M23)	M4 - AWUF190316AC	
111	0131M00503	BLOWER MOTOR, 1/2HP, SELECTECH PROGRAM (M27, M28, M29)	M5 - AWUF190316BA	
111	0131M00739	BLOWER MOTOR, 1/3HP, BROAD OCEAN (M4, M6, M8, M14, M15, M16, M17)	M6 - AWUF190516AC	
111	0131M00879	MOTOR (M5, M7, M9)	M7 - AWUF190516BA	
281	3739000	BLOWER CUT-OFF 6" (M1, M2, M3, M4, M5, M6, M7, M8, M9, M10, M11, M12, M13, M14, M15, M16, M17)	M8 - AWUF190816AC	
281	3739002	BLOWER CUT-OFF LRG (M18, M19, M20, M21, M22, M23, M24, M25, M26, M27, M28, M29)	M9 - AWUF190816BA	
291	0121M00038	MOTOR MOUNT BAND (M4, M5, M6, M7, M8, M9, M14, M15, M16, M17, M21, M22, M23, M27, M28, M29)	M10 - AWUF240316BD	
301	B1376853	MOTOR MOUNT ARM (M4, M5, M6, M7, M8, M9, M14, M15, M16, M17)	M11 - AWUF240516BD	
301	B1376861	MOTOR MOUNT ARM (M21, M22, M23, M27, M28, M29)	M12 - AWUF240816BD	
311	B1368034	BLOWER WHEEL 10 X 6 (M4, M5, M6, M7, M8, M9, M10, M11, M12, M13, M14, M15, M16, M17)	M13 - AWUF241016BC	
311	B1368016	BLOWER WHEEL 10 X 8 (M21, M22, M23, M27, M28, M29)	M14 - AWUF250316AC	
311	B1368042	BLOWER WHEEL 9 X 6 (M1, M2, M3)	M15 - AWUF250516AC	
311	B1368036	BLOWER WHEEL 9 X 8 (M18, M19, M20, M24, M25, M26)	M16 - AWUF250816AC	
321	M0250565	SCREW-TC 1.25" (M4, M5, M6, M7, M8, M9, M14, M15, M16, M17, M21, M22, M23, M27, M28, M29)	M17 - AWUF251016AC	
341	B1392918	WASHER, FLAT 1/4 ID X 1 OD (M4, M5, M6, M7, M8, M9, M14, M15, M16, M17, M21, M22, M23, M27, M28, M29)	M18 - AWUF300516BE	
351	B1393323	MACHINE SCREW HWH 1/4-20 X 1-1/2 BZ (M4, M5, M6, M7, M8, M9, M14, M15, M16, M17, M21, M22, M23, M27, M28, M29)	M19 - AWUF300816BE	
361	B1393800	LOCKNUT, NYLON, INSERT 1/4 (M4, M5, M6, M7, M8, M9, M14, M15, M16, M17, M21, M22, M23, M27, M28, M29)	M20 - AWUF301016BE	
381	M0250558	SCREW-TC H (M1, M2, M3, M10, M11, M12, M13, M18, M19, M20, M24, M25, M26)	M21 - AWUF310516AE	
			M22 - AWUF310816AD	
			M23 - AWUF321016AD	
			M24 - AWUF360516BE	
			M25 - AWUF360816BE	
			M26 - AWUF361016BE	
			M27 - AWUF370516BD	
			M28 - AWUF370816BD	
			M29 - AWUF371016BD	