

REPAIR PARTS

AWUF 14 SEER VERTICAL MOUNT ALL ALUMINUM AIR HANDERS

AWUF310516AA

AWUF310816AA

AWUF321016AA



This manual is to be used by qualified technicians only.

Important Information

Index

Functional Parts List	3
Illustration and Parts	4 - 7

Views shown are for parts illustrations only, not servicing procedures.

This system uses R410A refrigerant. If sealed system work is required, use approved equipment and follow service procedures. Refer to Service Manual or Installation Instructions for service procedures.

Text Codes:

AR - As Required

NA - Not Available

NS - Not Shown

00000000 - See Note

QTY - Quantity Example (QTY 3) (If Quantity not shown, Quantity = 1)

M - Model Example (M1) (If M Code not shown, then part is used on all Models)

Expanded Model Nomenclature:

Example
M1 - Model#1
M2 - Model#2
M3 - Model#3

Functional Parts

Part

No:

Description:

BT1420039	ASSY, 10 KW HEATER LRG (M3)
BT1420032	ASSY, 5 KW HEATER LRG (M1)
BT1420040	ASSY, 8 KW HEATER LRG (M2)
0131M00180	MOTOR, 1/2HP, X13 PROGRAMMED (M1)
0131M00181	MOTOR, 1/2HP. X13 PROGRAMMED (M2, M3)
PKC-01A	PISTON KIT CHART
B1256551	SEQUENCER 5 KW (M1)
B1256552	SEQUENCER 8 - 10 KW (M2, M3)
B1141643	TRANSFORMER 208/230, 24V

Chassis and Coil Tubing Assy

Image 1

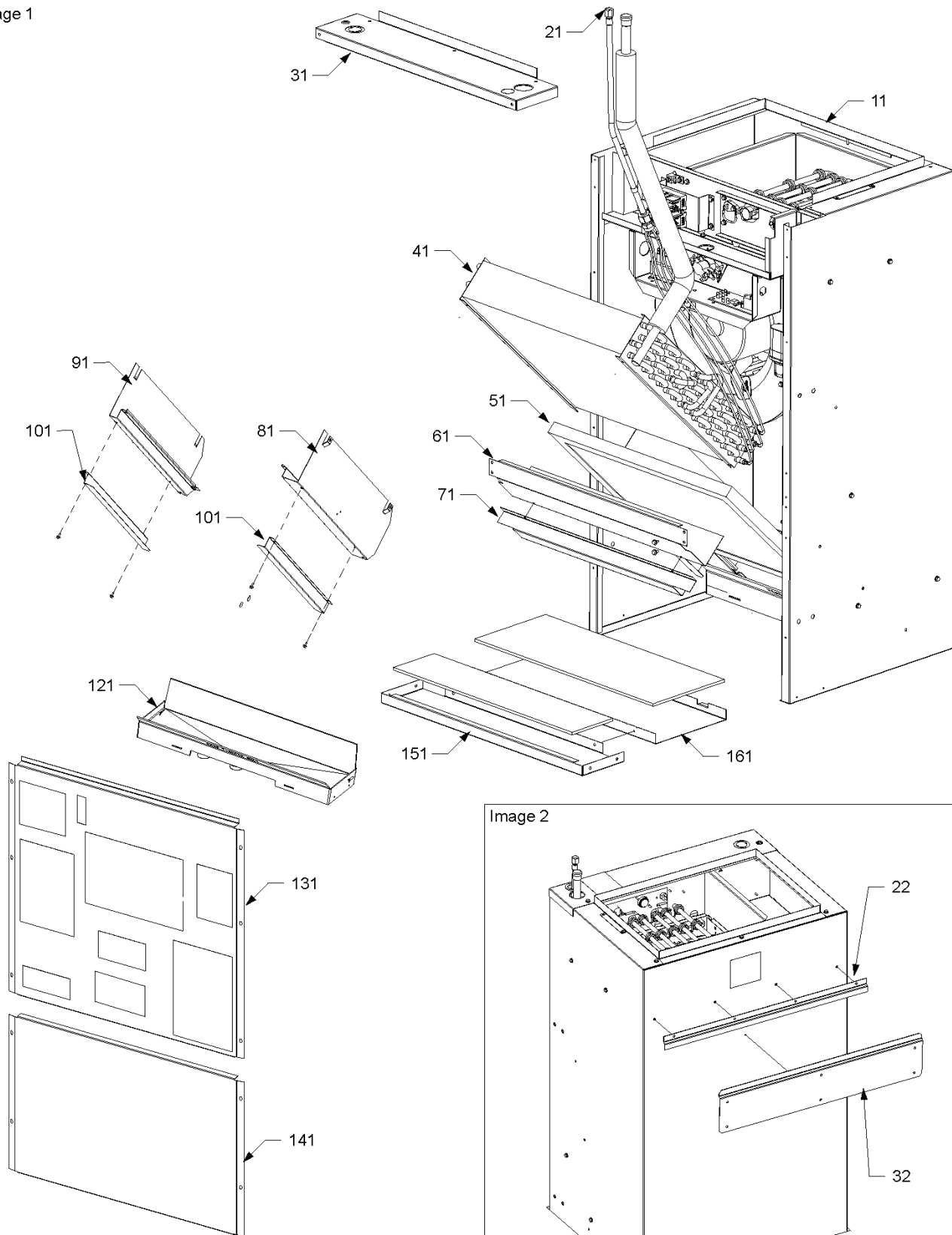
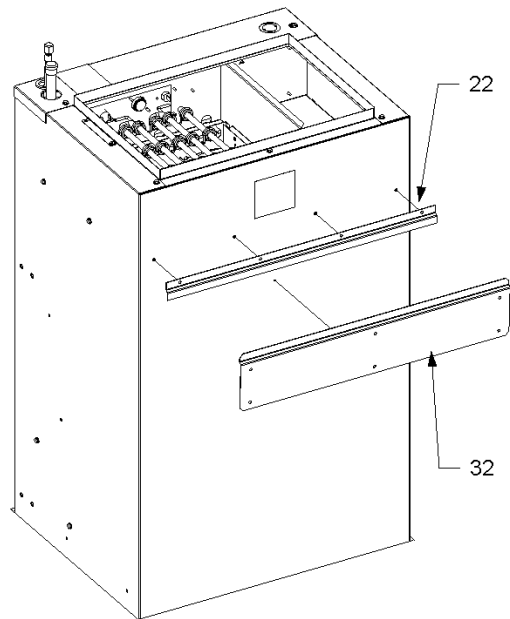


Image 2



Chassis and Coil Tubing Assy

Ref. Part No: No:	Description:	Ref. Part No: No:	Description:
-------------------	--------------	-------------------	--------------

Image 1:

11	3702005	WRAPPER, LARGE
21	0162A00040	FLOWRATOR, AL
31	3702105	TOP WRAPPER LRG
41	0270A00394	TUBING ASSY, EVAP COIL
51	BT1369608	AIR FILTER 18 X 20 X 1
61	0121A00042	BRKT, LRG TOP FILTER
61	0121A00066	CENTER TIE PLATE
81	0121A00043	BRKT, RIGHT FILTER
81	3701231	GUTTER RAIL, RIGHT LRG
91	0121A00041	BRKT, LEFT FILTER LRG
91	3701232	GUTTER RAIL, LEFT LRG
121	3770028	DRAIN PAN LARGE
131	3770031	PANEL, LARGE FRONT ACCESS
151	3702301	BOTTOM TIE PLATE LRG
161	3701500	ACCESS PANEL, DRAIN LRG
NS	3701242	DRIP SHIELD LRG
NS	BT1787000	VALVE CORE

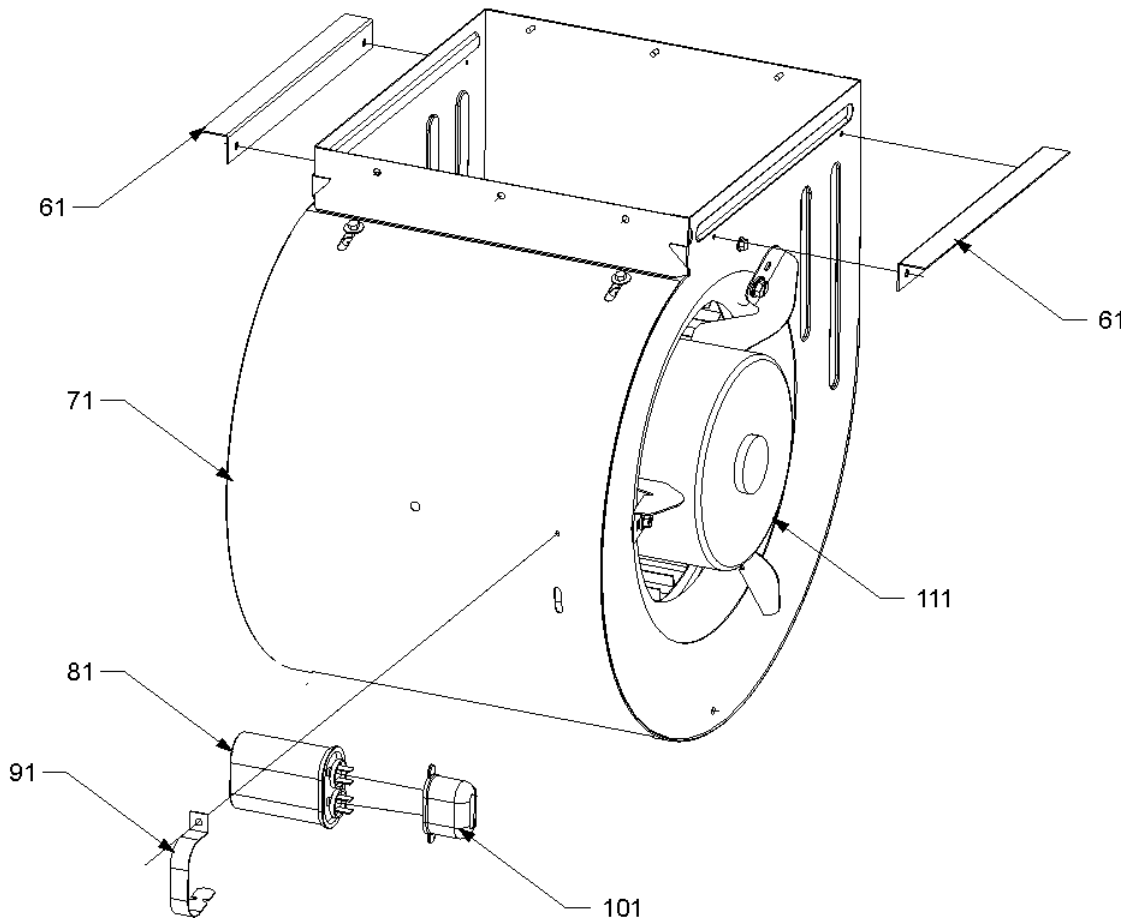
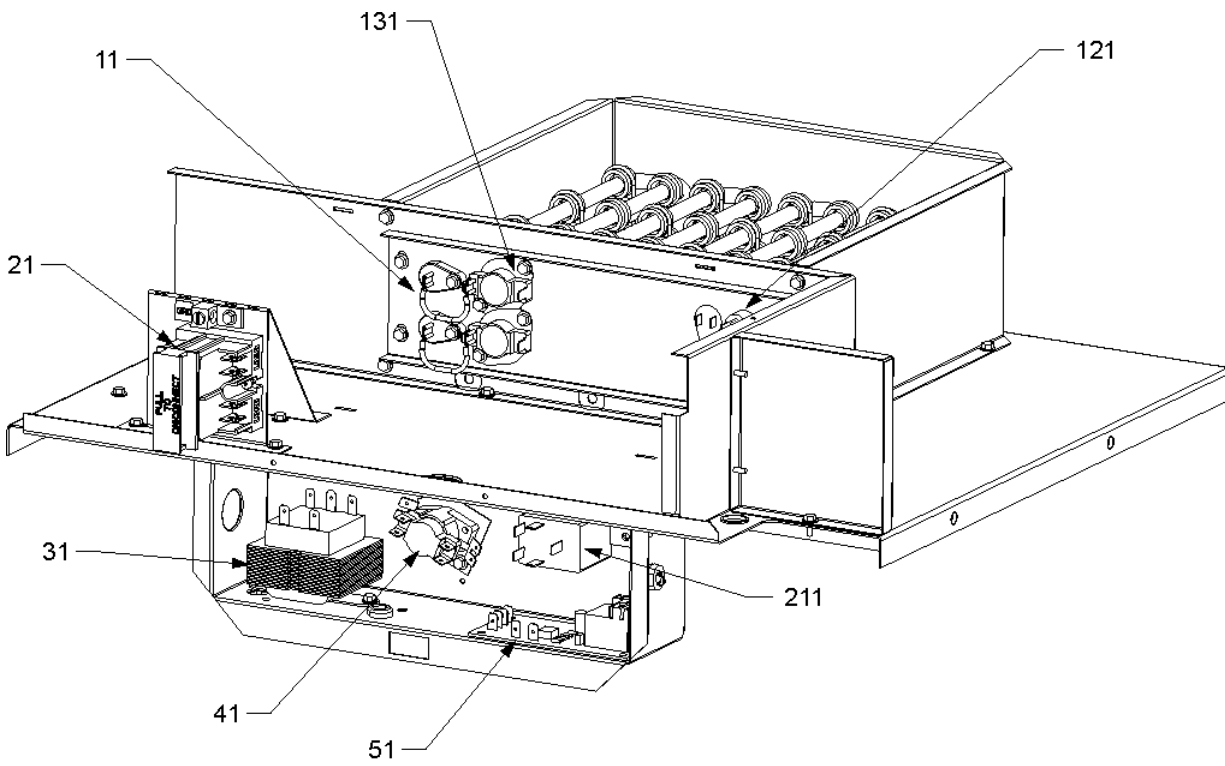
Image 2:

22	3702500	HANGING BRACKET LRG
32	3702800	HANGING BRACKET, FIELD

Expanded Model Nomenclature

M1 - AWUF310516AA
M2 - AWUF310816AA
M3 - AWUF321016AA

Blower and Heater Assemblies



Blower and Heater Assemblies

Ref. Part No:	No:	Description:	Ref. Part No:	No:	Description:
<i>Image 1:</i>					
11	BT1420039	ASSY, 10 KW HEATER LRG (M3)			
11	BT1420032	ASSY, 5 KW HEATER LRG (M1)			
11	BT1420040	ASSY, 8 KW HEATER LRG (M2)			
21	BT1753510S	PULL OUT DISCONNECT			
31	B1141643	TRANSFORMER 208/230, 24V			
41	B1256551	SEQUENCER 5 KW (M1)			
41	B1256552	SEQUENCER 8 - 10 KW (M2, M3)			
61	3702704	ANGLE, 22.5" BLOWER DECK			
71	3760202S	BLOWER HOUSING			
111	0131M00180	MOTOR, 1/2HP, X13 PROGRAMMED (M1)			
111	0131M00181	MOTOR, 1/2HP. X13 PROGRAMMED (M2, M3)			
NS	3702705	BLOWER ANGLE 10"			
NS	3702701	BLOWER ANGLE 8.531" (QTY 2)			
NS	3739002	BLOWER CUT-OFF LRG			
NS	B1368016S	BLOWER WHEEL 10 X 8			
NS	B1393323	MACHINE SCREW HWH 1/4-20 X 1-1/2 BZ			
NS	B1376861	MOTOR MOUNT ARM (QTY 3)			
NS	0121M00038	MOTOR MOUNT BAND			
NS	0130M00022	X-13 POWER HARNESS			

Expanded Model Nomenclature

M1 - AWUF310516AA
M2 - AWUF310816AA
M3 - AWUF321016AA