

REPAIR PARTS

AWUF Air Handler

AWUF180316BC
AWUF180516BC
AWUF180816BC
AWUF190316AB
AWUF190516AB
AWUF190816AB
AWUF240316BC
AWUF240516BC
AWUF240816BC
AWUF250316AB
AWUF250516AB
AWUF250816AB
AWUF251016AB
AWUF300516BD
AWUF300816BD
AWUF301016BD
AWUF310516AC
AWUF310516AD
AWUF310816AC
AWUF321016AC
AWUF360516BD
AWUF360816BD
AWUF361016BD
AWUF370516BC
AWUF370816BC
AWUF371016BC



This manual is to be used by qualified technicians only.

This manual replaces RP-4306.

© 2016 - 2017 Goodman Manufacturing Company, L.P. ♦ 5151 San Felipe St., Suite 500 ♦ Houston, TX 77056

Important Information

Index

Functional Parts List	3
Illustration and Parts	4 - 9

Views shown are for parts illustrations only, not servicing procedures

Text Codes:

AR - As Required

NA - Not Available

NS - Not Shown

00000000 - See Note

QTY - Quantity Example (QTY 3) (If Quantity not shown, Quantity = 1)

M - Model Example (M1) (If M Code not shown, then part is used on all Models)

Expanded Model Nomenclature:

Example M1 - Model#1 M2 - Model#2 M3 - Model#3

Goodman Manufacturing Company, L.P. is not responsible for personal injury or property damage resulting from improper service. Review all service information before beginning repairs.

Warranty service must be performed by an authorized technician, using authorized factory parts. If service is required after the warranty expires, Goodman Manufacturing Company, L.P. also recommends contacting an authorized technician and using authorized factory parts.

Goodman Manufacturing Company, L.P. reserves the right to discontinue, or change at any time, specifications or designs without notice or without incurring obligations.

For assistance within the U.S.A. contact:
Homeowner Support
Goodman Manufacturing Company, L.P.
19001 Kermier Road
Waller, Texas 77484
877-254-4729-Telephone
713-863-2382-Facsimile

For assistance outside the U.S.A. contact:
International Division
Goodman Manufacturing Company, L.P.
19001 Kermier Road
Waller, Texas 77484
713-861-2500-Telephone
713-863-2382-Facsimile

Functional Parts

Part No: **Description:**

Part No:	Description:	Expanded Model Nomenclature
BT1420028	ASM, HEATER(SMALL 3KW) (M1, M4, M7, M10)	M1 - AWUF180316BC
BT1420034	ASSY, 10 KW HEATER LRG (M16, M23)	M2 - AWUF180516BC
BT1420039	ASSY, 10 KW HEATER LRG (M20, M26)	M3 - AWUF180816BC
BT1420031	ASSY, 10 KW HEATER SML (M13)	M4 - AWUF190316AB
BT1420032	ASSY, 5 KW HEATER LRG (M17, M18, M24)	M5 - AWUF190516AB
BT1420029	ASSY, 5 KW HEATER SML (M2, M5, M8, M11)	M6 - AWUF190816AB
BT1420030	ASSY, 7.3 KW HEATER SML (M3, M6, M9, M12)	M7 - AWUF240316BC
BT1420033	ASSY, 8 KW HEATER LRG (M15, M22)	M8 - AWUF240516BC
BT1420040	ASSY, 8 KW HEATER LRG (M19, M25)	M9 - AWUF240816BC
BT1340030	BLOWER MOTOR 1/5 HP, 2 SP, 6 PL (M1, M2, M3, M7, M8, M9)	M10 - AWUF250316AB
BT1340031	BLOWER MOTOR, 1/3HP, 2SP, 6PL (M14, M15, M16, M21, M22, M23)	M11 - AWUF250516AB
0131M00503	BLOWER MOTOR,1/2HP,SELECTECH PROGRAM (M24, M25, M26)	M12 - AWUF250816AB
0131M00501	BLOWER MOTOR,1/2HP,SELECTECH PROGRAM (M17, M18)	M13 - AWUF251016AB
0131M00502	BLOWER MOTOR,1/2HP,SELECTECH PROGRAM (M19, M20)	M14 - AWUF300516BD
0131M00739	BLOWER MOTOR,1/3HP,BROAD OCEAN (M4, M5, M6, M10, M11, M12, M13)	M15 - AWUF300816BD
CAP075000370LA	CAPACITOR 7.5/370V (M1, M2, M3, M7, M8, M9, M14, M15, M16, M21, M22, M23)	M16 - AWUF301016BD
CONT2P040024V	CONTACTOR 40 AMP, 2P, 24V	M17 - AWUF310516AC
PCBFM103	ELECTRONIC BLOWER TIME DELAY (M1, M2, M3, M7, M8, M9, M14, M15, M16, M21, M22, M23)	M18 - AWUF310516AD
0130M00129	RELAY, WCK (M24, M25, M26)	M19 - AWUF310816AC
0130M00138	TRANSFORMER 208/230, 24V	M20 - AWUF321016AC
		M21 - AWUF360516BD
		M22 - AWUF360816BD
		M23 - AWUF361016BD
		M24 - AWUF370516BC
		M25 - AWUF370816BC
		M26 - AWUF371016BC

Chassis and Coil Tubing Assy

IMAGE 1

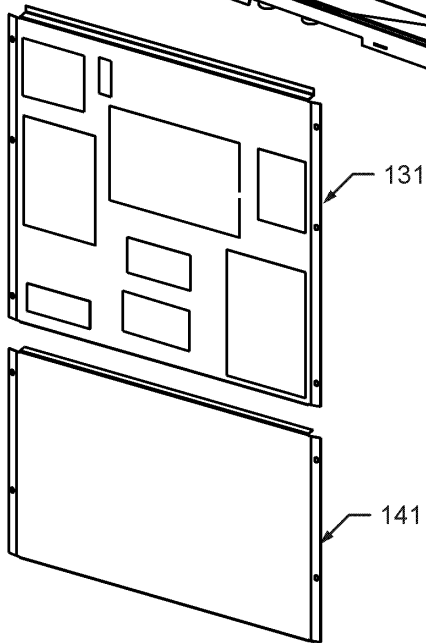
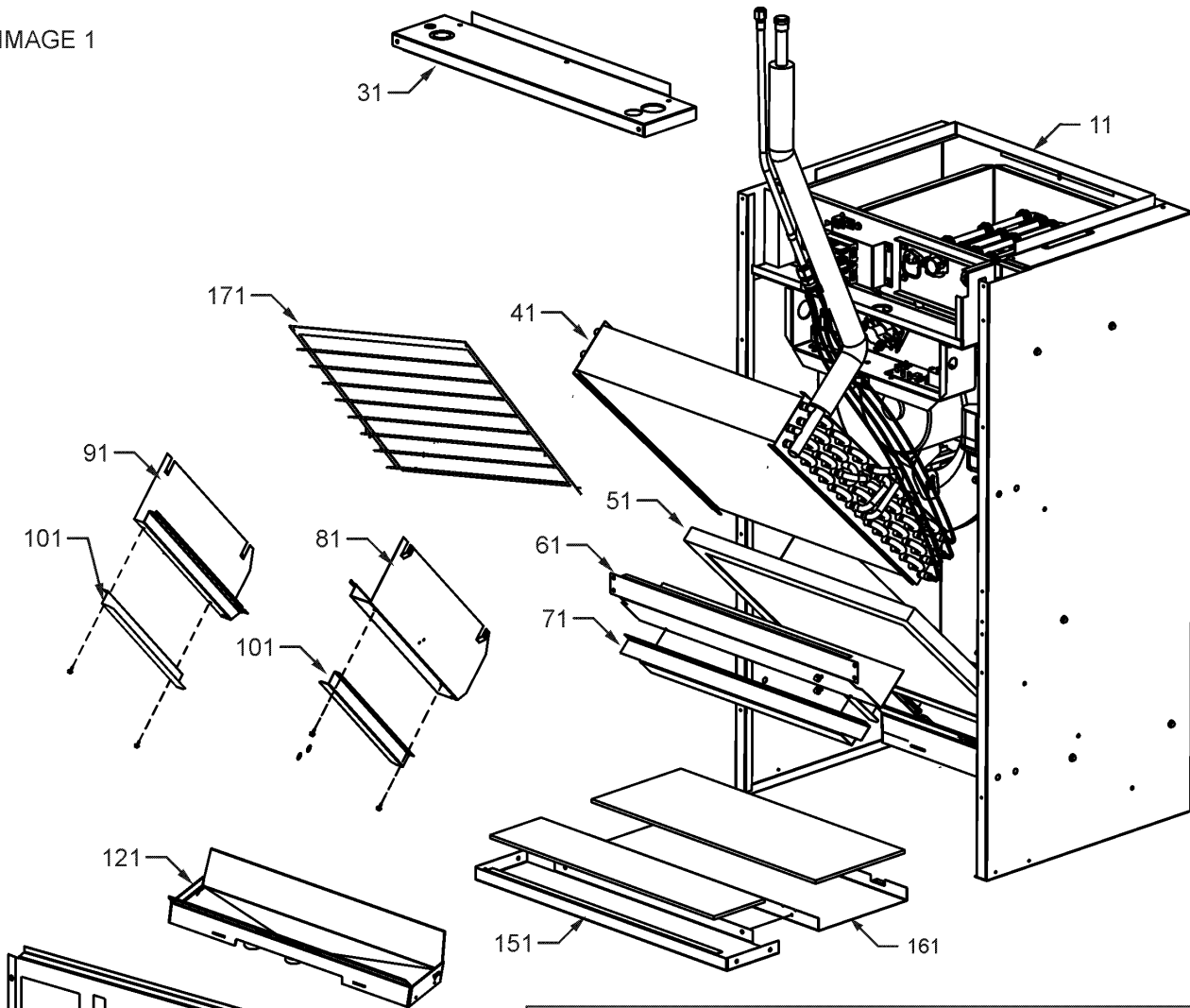
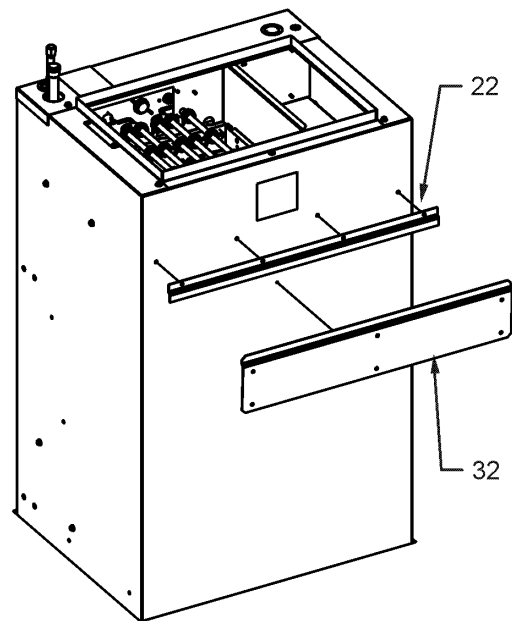


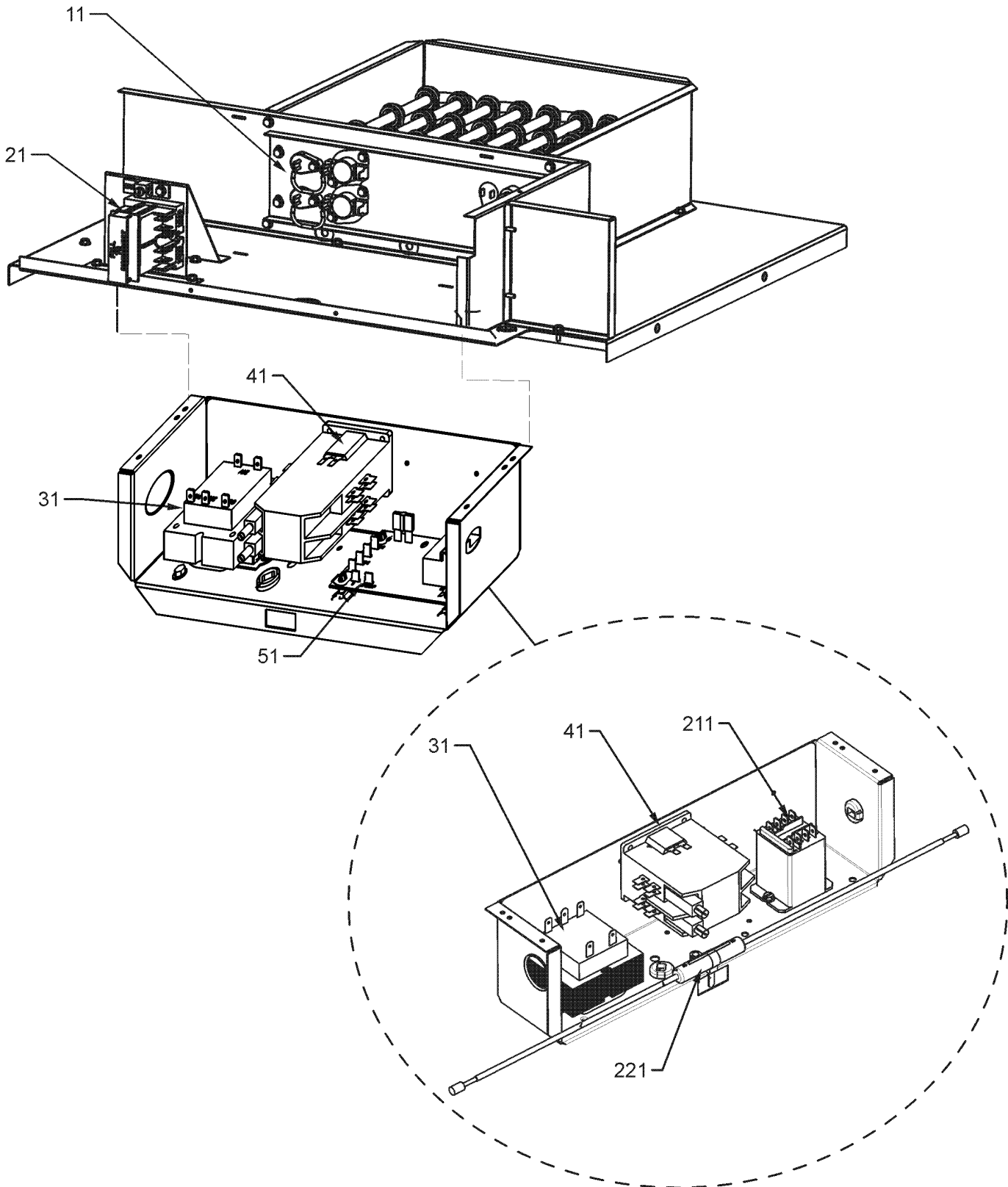
IMAGE 2



Chassis and Coil Tubing Assy

Ref. Part No: No:	Description:	Ref. Part No: No:	Description:																										
Image 1:		Image 1:																											
11 3702005	WRAPPER, LARGE (M14, M15, M16, M17, M18, M19, M20, M21, M22, M23, M24, M25, M26)	NS 0128R00007	DRAINPAN SHIELD																										
11 3702004	WRAPPER, SMALL (M1, M2, M3, M4, M5, M6, M7, M8, M9, M10, M11, M12, M13)	NS 3701242	DRIP SHIELD LRG (M14, M15, M16, M17, M18, M19, M20, M21, M22, M23, M24, M25, M26)																										
31 3702105	TOP WRAPPER LRG (M14, M15, M16, M17, M18, M19, M20, M21, M22, M23, M24, M25, M26)	NS 0164A00002	GROMMET																										
31 3702104	TOP WRAPPER SML (M1, M2, M3, M4, M5, M6, M7, M8, M9, M10, M11, M12, M13)	NS B1787000	VALVE CORE																										
41 0270A01153	COIL TUBING ASSY (M24, M25, M26)	Image 2:																											
41 0270A01154	COIL TUBING ASSY (M1, M2, M3)	22 3702500	HANGING BRACKET LRG (M14, M15, M16, M17, M18, M19, M20, M21, M22, M23, M24, M25, M26)																										
41 0270A01164	COIL TUBING ASSY (M4, M5, M6)	22 3702501	HANGING BRACKET SML (M1, M2, M3, M4, M5, M6, M7, M8, M9, M10, M11, M12, M13)																										
41 0270A01165	COIL TUBING ASSY (M7, M8, M9)	32 3702800	HANGING BRACKET, FIELD																										
41 0270A01166	COIL TUBING ASSY (M10, M11, M12, M13)	Expanded Model Nomenclature																											
41 0270A01167	COIL TUBING ASSY (M14, M15, M16)	<table border="1"> <tr><td>M1 - AWUF180316BC</td></tr> <tr><td>M2 - AWUF180516BC</td></tr> <tr><td>M3 - AWUF180816BC</td></tr> <tr><td>M4 - AWUF190316AB</td></tr> <tr><td>M5 - AWUF190516AB</td></tr> <tr><td>M6 - AWUF190816AB</td></tr> <tr><td>M7 - AWUF240316BC</td></tr> <tr><td>M8 - AWUF240516BC</td></tr> <tr><td>M9 - AWUF240816BC</td></tr> <tr><td>M10 - AWUF250316AB</td></tr> <tr><td>M11 - AWUF250516AB</td></tr> <tr><td>M12 - AWUF250816AB</td></tr> <tr><td>M13 - AWUF251016AB</td></tr> <tr><td>M14 - AWUF300516BD</td></tr> <tr><td>M15 - AWUF300816BD</td></tr> <tr><td>M16 - AWUF301016BD</td></tr> <tr><td>M17 - AWUF310516AC</td></tr> <tr><td>M18 - AWUF310516AD</td></tr> <tr><td>M19 - AWUF310816AC</td></tr> <tr><td>M20 - AWUF321016AC</td></tr> <tr><td>M21 - AWUF360516BD</td></tr> <tr><td>M22 - AWUF360816BD</td></tr> <tr><td>M23 - AWUF361016BD</td></tr> <tr><td>M24 - AWUF370516BC</td></tr> <tr><td>M25 - AWUF370816BC</td></tr> <tr><td>M26 - AWUF371016BC</td></tr> </table>		M1 - AWUF180316BC	M2 - AWUF180516BC	M3 - AWUF180816BC	M4 - AWUF190316AB	M5 - AWUF190516AB	M6 - AWUF190816AB	M7 - AWUF240316BC	M8 - AWUF240516BC	M9 - AWUF240816BC	M10 - AWUF250316AB	M11 - AWUF250516AB	M12 - AWUF250816AB	M13 - AWUF251016AB	M14 - AWUF300516BD	M15 - AWUF300816BD	M16 - AWUF301016BD	M17 - AWUF310516AC	M18 - AWUF310516AD	M19 - AWUF310816AC	M20 - AWUF321016AC	M21 - AWUF360516BD	M22 - AWUF360816BD	M23 - AWUF361016BD	M24 - AWUF370516BC	M25 - AWUF370816BC	M26 - AWUF371016BC
M1 - AWUF180316BC																													
M2 - AWUF180516BC																													
M3 - AWUF180816BC																													
M4 - AWUF190316AB																													
M5 - AWUF190516AB																													
M6 - AWUF190816AB																													
M7 - AWUF240316BC																													
M8 - AWUF240516BC																													
M9 - AWUF240816BC																													
M10 - AWUF250316AB																													
M11 - AWUF250516AB																													
M12 - AWUF250816AB																													
M13 - AWUF251016AB																													
M14 - AWUF300516BD																													
M15 - AWUF300816BD																													
M16 - AWUF301016BD																													
M17 - AWUF310516AC																													
M18 - AWUF310516AD																													
M19 - AWUF310816AC																													
M20 - AWUF321016AC																													
M21 - AWUF360516BD																													
M22 - AWUF360816BD																													
M23 - AWUF361016BD																													
M24 - AWUF370516BC																													
M25 - AWUF370816BC																													
M26 - AWUF371016BC																													
41 0270A01168	COIL TUBING ASSY (M17, M18, M19, M20)																												
41 0270A01169	COIL TUBING ASSY (M21, M22, M23)																												
51 0160L00139	Air Filter 14x18x1 (M1, M2, M3, M4, M5, M6, M7, M8, M9, M10, M11, M12, M13)																												
51 0160L00141	Air Filter 18x20x1 (M14, M15, M16, M17, M18, M19, M20, M21, M22, M23, M24, M25, M26)																												
61 0121A00066	CENTER TIE PLATE (M14, M15, M16, M17, M18, M19, M20, M21, M22, M23, M24, M25, M26)																												
61 0121A00067	CENTER TIE PLATE (M1, M2, M3, M4, M5, M6, M7, M8, M9, M10, M11, M12, M13)																												
71 3701802	FILTER OFFSET BRACKET SML (M1, M2, M3, M4, M5, M6, M7, M8, M9, M10, M11, M12, M13)																												
81 3701231	GUTTER RAIL, RIGHT LRG (M14, M15, M16, M17, M18, M19, M20, M21, M22, M23, M24, M25, M26)																												
81 3701224	GUTTER RAIL, RIGHT SML (M1, M2, M3, M4, M5, M6, M7, M8, M9, M10, M11, M12, M13)																												
91 3701232	GUTTER RAIL, LEFT LRG (M14, M15, M16, M17, M18, M19, M20, M21, M22, M23, M24, M25, M26)																												
91 3701225	GUTTER RAIL, LEFT SML (M1, M2, M3, M4, M5, M6, M7, M8, M9, M10, M11, M12, M13)																												
101 3701203	FILTER SUPPORT SML (M1, M2, M3, M4, M5, M6, M7, M8, M9, M10, M11, M12, M13)																												
121 0161R00021	DRAIN PAN LARGE (M14, M15, M16, M17, M18, M19, M20, M21, M22, M23, M24, M25, M26)																												
121 0161R00022	DRAIN PAN SMALL (M1, M2, M3, M4, M5, M6, M7, M8, M9, M10, M11, M12, M13)																												
131 3701535	ACCESS PANEL, FRONT LRG (M14, M15, M16, M17, M18, M19, M20, M21, M22, M23, M24, M25, M26)																												
131 0121A00450	FRONT ACCESS PANEL SML (M1, M2, M3, M4, M5, M6, M7, M8, M9, M10, M11, M12, M13)																												
141 3701505	LOWER ACCESS PANEL-FRONT (M1, M2, M3, M4, M5, M6, M7, M8, M9, M10, M11, M12, M13)																												
151 3702301	BOTTOM TIE PLATE LRG (M14, M15, M16, M17, M18, M19, M20, M21, M22, M23, M24, M25, M26)																												
151 3702303	BOTTOM TIE PLATE SML (M1, M2, M3, M4, M5, M6, M7, M8, M9, M10, M11, M12, M13)																												
161 3701500	ACCESS PANEL, DRAIN LRG (M14, M15, M16, M17, M18, M19, M20, M21, M22, M23, M24, M25, M26)																												
161 3701502	ACCESS PANEL, DRAIN SML (M1, M2, M3, M4, M5, M6, M7, M8, M9, M10, M11, M12, M13)																												
171 0121A00153	LOUVER DRAIN PANEL (M1, M2, M3, M7, M8, M9)																												

Heater Assemblies



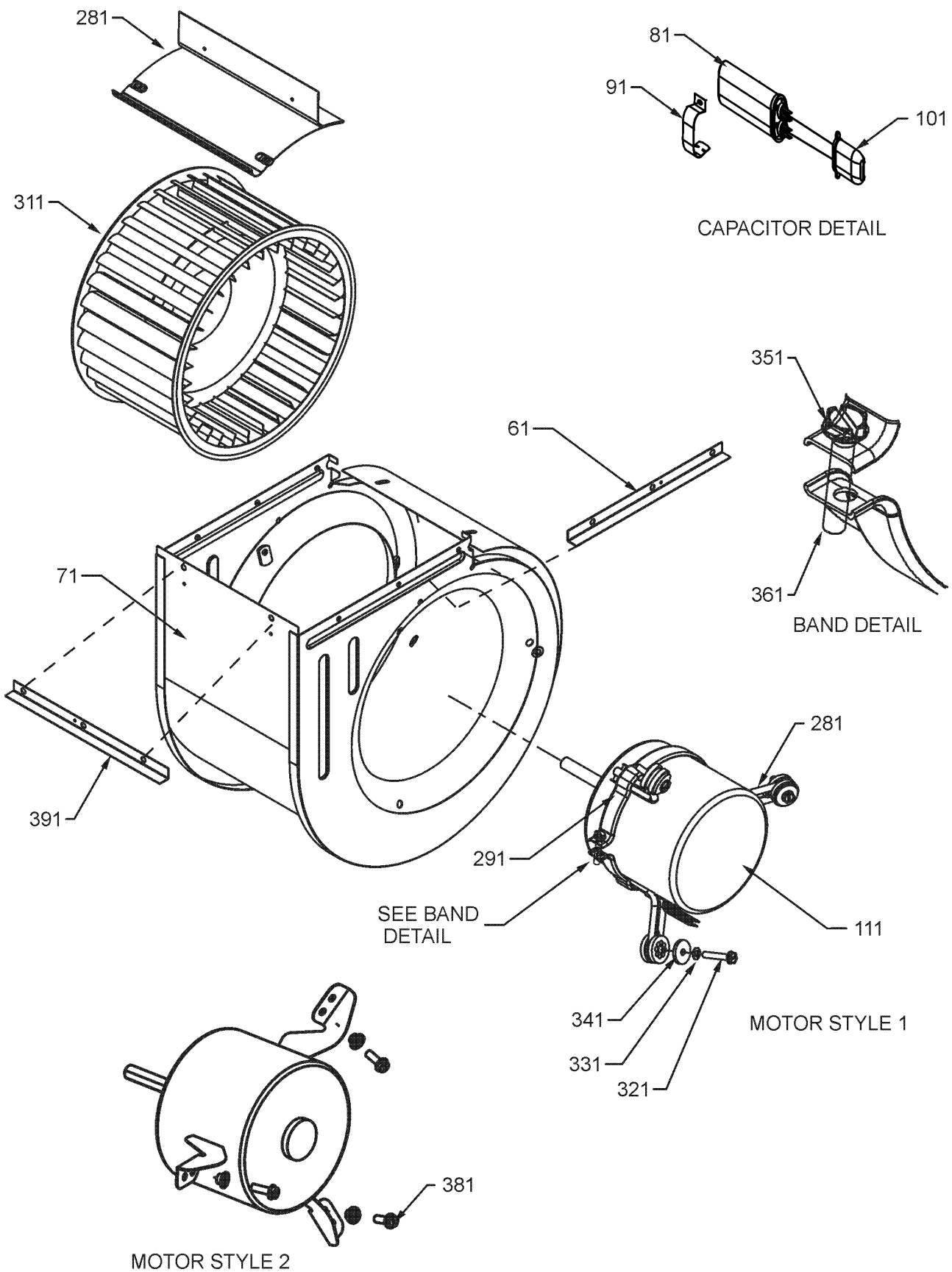
Heater Assemblies

Ref. Part No: No:	Description:	Ref. Part No: No:	Description:
<i>Image 1:</i>			
11	BT1420028		ASM, HEATER(SMALL 3KW) (M1, M4, M7, M10)
11	BT1420034		ASSY, 10 KW HEATER LRG (M16, M23)
11	BT1420039		ASSY, 10 KW HEATER LRG (M20, M26)
11	BT1420031		ASSY, 10 KW HEATER SML (M13)
11	BT1420032		ASSY, 5 KW HEATER LRG (M17, M18, M24)
11	BT1420029		ASSY, 5 KW HEATER SML (M2, M5, M8, M11)
11	BT1420030		ASSY, 7.3 KW HEATER SML (M3, M6, M9, M12)
11	BT1420033		ASSY, 8 KW HEATER LRG (M15, M22)
11	BT1420040		ASSY, 8 KW HEATER LRG (M19, M25)
21	0130A00091		DISCONNECT, PULL OUT
31	0130M00138		TRANSFORMER 208/230, 24V
41	CONT2P040024V		CONTACTOR 40 AMP, 2P, 24V
51	PCBFM103		ELECTRONIC BLOWER TIME DELAY (M1, M2, M3, M7, M8, M9, M14, M15, M16, M21, M22, M23)
211	0130M00129		RELAY, WCK (M24, M25, M26)
221	0161A00033		FUSE HOLDER (M4, M5, M6, M10, M11, M12, M13, M17, M18, M19, M20, M24, M25, M26)

Expanded Model Nomenclature

- M1 - AWUF180316BC
- M2 - AWUF180516BC
- M3 - AWUF180816BC
- M4 - AWUF190316AB
- M5 - AWUF190516AB
- M6 - AWUF190816AB
- M7 - AWUF240316BC
- M8 - AWUF240516BC
- M9 - AWUF240816BC
- M10 - AWUF250316AB
- M11 - AWUF250516AB
- M12 - AWUF250816AB
- M13 - AWUF251016AB
- M14 - AWUF300516BD
- M15 - AWUF300816BD
- M16 - AWUF301016BD
- M17 - AWUF310516AC
- M18 - AWUF310516AD
- M19 - AWUF310816AC
- M20 - AWUF321016AC
- M21 - AWUF360516BD
- M22 - AWUF360816BD
- M23 - AWUF361016BD
- M24 - AWUF370516BC
- M25 - AWUF370816BC
- M26 - AWUF371016BC

Blower Assembly



Blower Assembly

Ref. Part No: No:	Description:	Ref. Part No: No:	Description:
Image 1:		Image 1:	
61 3702702	BLOWER ANGLE 6.063" (M1, M2, M3, M4, M5, M6, M7, M8, M9, M10, M11, M12, M13)	381 B1393309	MACHINE SCREW, 1/4-20 TPI X 3/4" LG (M1, M2, M3, M7, M8, M9, M14, M15, M16, M21, M22, M23)
61 3702701	BLOWER ANGLE 8.531" (M14, M15, M16, M17, M18, M19, M20, M21, M22, M23, M24, M25, M26)	391 3702705	BLOWER ANGLE 10" (M14, M15, M16, M17, M18, M19, M20, M21, M22, M23, M24, M25, M26)
71 3760200	BLOWER HOUSING (M1, M2, M3, M4, M5, M6, M7, M8, M9, M10, M11, M12, M13)	391 3702700	BLOWER ANGLE 9" (M1, M2, M3, M4, M5, M6, M7, M8, M9, M10, M11, M12, M13)
71 3760202	BLOWER HOUSING (M14, M15, M16, M17, M18, M19, M20, M21, M22, M23, M24, M25, M26)	NS 0130A00005	X-13 LOW VOLTAGE WIRE HARNESS (M24, M25, M26)
81 CAP075000370LA	CAPACITOR 7.5/370V (M1, M2, M3, M7, M8, M9, M14, M15, M16, M21, M22, M23)	NS 0130A00021	X-13 LOW VOLTAGE WIRE HARNESS (M17, M18, M19, M20)
91 3784800	CAPACITOR STRAP (M1, M2, M3, M7, M8, M9, M14, M15, M16, M21, M22, M23)	NS 0130M00022	X-13 POWER HARNESS (M4, M5, M6, M10, M11, M12, M13, M17, M18, M19, M20, M24, M25, M26)
101 B821700	CAPACITOR BOOT (M14, M15, M16, M21, M22, M23)	Expanded Model Nomenclature	
111 BT1340030	BLOWER MOTOR 1/5 HP, 2 SP, 6 PL (M1, M2, M3, M7, M8, M9)	M1 - AWUF180316BC	
111 BT1340031	BLOWER MOTOR, 1/3HP, 2SP, 6PL (M14, M15, M16, M21, M22, M23)	M2 - AWUF180516BC	
111 0131M00501	BLOWER MOTOR, 1/2HP, SELECTECH PROGRAM (M17, M18)	M3 - AWUF180816BC	
111 0131M00502	BLOWER MOTOR, 1/2HP, SELECTECH PROGRAM (M19, M20)	M4 - AWUF190316AB	
111 0131M00503	BLOWER MOTOR, 1/2HP, SELECTECH PROGRAM (M24, M25, M26)	M5 - AWUF190516AB	
111 0131M00739	BLOWER MOTOR, 1/3HP, BROAD OCEAN (M4, M5, M6, M10, M11, M12, M13)	M6 - AWUF190816AB	
281 3739000	BLOWER CUT-OFF 6" (M1, M2, M3, M4, M5, M6, M7, M8, M9, M10, M11, M12, M13)	M7 - AWUF240316BC	
281 3739002	BLOWER CUT-OFF LRG (M14, M15, M16, M17, M18, M19, M20, M21, M22, M23, M24, M25, M26)	M8 - AWUF240516BC	
291 0121M00038	MOTOR MOUNT BAND (M4, M5, M6, M10, M11, M12, M13, M17, M18, M19, M20, M24, M25, M26)	M9 - AWUF240816BC	
301 B1376853	MOTOR MOUNT ARM (M4, M5, M6, M10, M11, M12, M13)	M10 - AWUF250316AB	
301 B1376861	MOTOR MOUNT ARM (M17, M18, M19, M20, M24, M25, M26)	M11 - AWUF250516AB	
311 BT1368008	BLOWER WHEEL 10 X 6 (M4, M5, M6, M7, M8, M9, M10, M11, M12, M13)	M12 - AWUF250816AB	
311 B1368016	BLOWER WHEEL 10 X 8 (M17, M18, M19, M20, M24, M25, M26)	M13 - AWUF251016AB	
311 B1368042	BLOWER WHEEL 9 X 6 (M1, M2, M3)	M14 - AWUF300516BD	
311 B1368036	BLOWER WHEEL 9 X 8 (M14, M15, M16, M21, M22, M23)	M15 - AWUF300816BD	
321 B1393322	MACHINE SCREW HWH 1/4-20 X 1-1/2 BZ (M4, M5, M6, M10, M11, M12, M13, M17, M18, M19, M20, M24, M25, M26)	M16 - AWUF301016BD	
331 B1392820	WASHER, SPLIT LOCK 1/4 BZ (M4, M5, M6, M10, M11, M12, M13, M17, M18, M19, M20, M24, M25, M26)	M17 - AWUF310516AC	
341 B1392918	WASHER, FLAT 1/4 ID X 1 OD (M4, M5, M6, M10, M11, M12, M13, M17, M18, M19, M20, M24, M25, M26)	M18 - AWUF310516AD	
351 B1393323	MACHINE SCREW HWH 1/4-20 X 1-1/2 BZ (M4, M5, M6, M10, M11, M12, M13, M17, M18, M19, M20, M24, M25, M26)	M19 - AWUF310816AC	
361 B1393800	LOCKNUT, NYLON, INSERT 1/4, 20 (M4, M5, M6, M10, M11, M12, M13, M17, M18, M19, M20, M24, M25, M26)	M20 - AWUF321016AC	
		M21 - AWUF360516BD	
		M22 - AWUF360816BD	
		M23 - AWUF361016BD	
		M24 - AWUF370516BC	
		M25 - AWUF370816BC	
		M26 - AWUF371016BC	