

REPAIR PARTS

AWUF Air Handler

AWUF240516BE

AWUF240816BE

AWUF241016BE



This manual is to be used by qualified technicians only.

© 2022 Goodman Manufacturing Company, L.P. ♦ 5151 San Felipe St, Suite 500 ♦ Houston, TX 77056

Important Information

Index

Functional Parts List	3
Illustration and Parts	4 - 11

Views shown are for parts illustrations only, not servicing procedures.

Text Codes:

AR - As Required

NA - Not Available

NS - Not Shown

00000000 - See Note

QTY - Quantity Example (QTY 3) (If Quantity not shown, Quantity = 1)

M - Model Example (M1) (If M Code not shown, then part is used on all Models)

Expanded Model Nomenclature:

Example M1 - Model#1 M2 - Model#2 M3 - Model#3

Goodman Manufacturing Company, L.P. is not responsible for personal injury or property damage resulting from improper service. Review all service information before beginning repairs.

Warranty service must be performed by an authorized technician, using authorized factory parts. If service is required after the warranty expires, Goodman Manufacturing Company, L.P. also recommends contacting an authorized technician and using authorized factory parts.

Goodman Manufacturing Company, L.P. reserves the right to discontinue, or change at any time, specifications or designs without notice or without incurring obligations.

For assistance within the U.S.A. contact:
Homeowner Support
Goodman Manufacturing Company, L.P.
19001 Kermier Road
Waller, Texas 77484
877-254-4729-Telephone
713-863-2382-Facsimile

For assistance outside the U.S.A. contact:
International Division
Goodman Manufacturing Company, L.P.
19001 Kermier Road
Waller, Texas 77484
713-861-2500-Telephone
713-863-2382-Facsimile

Functional Parts

Part

No: **Description:**

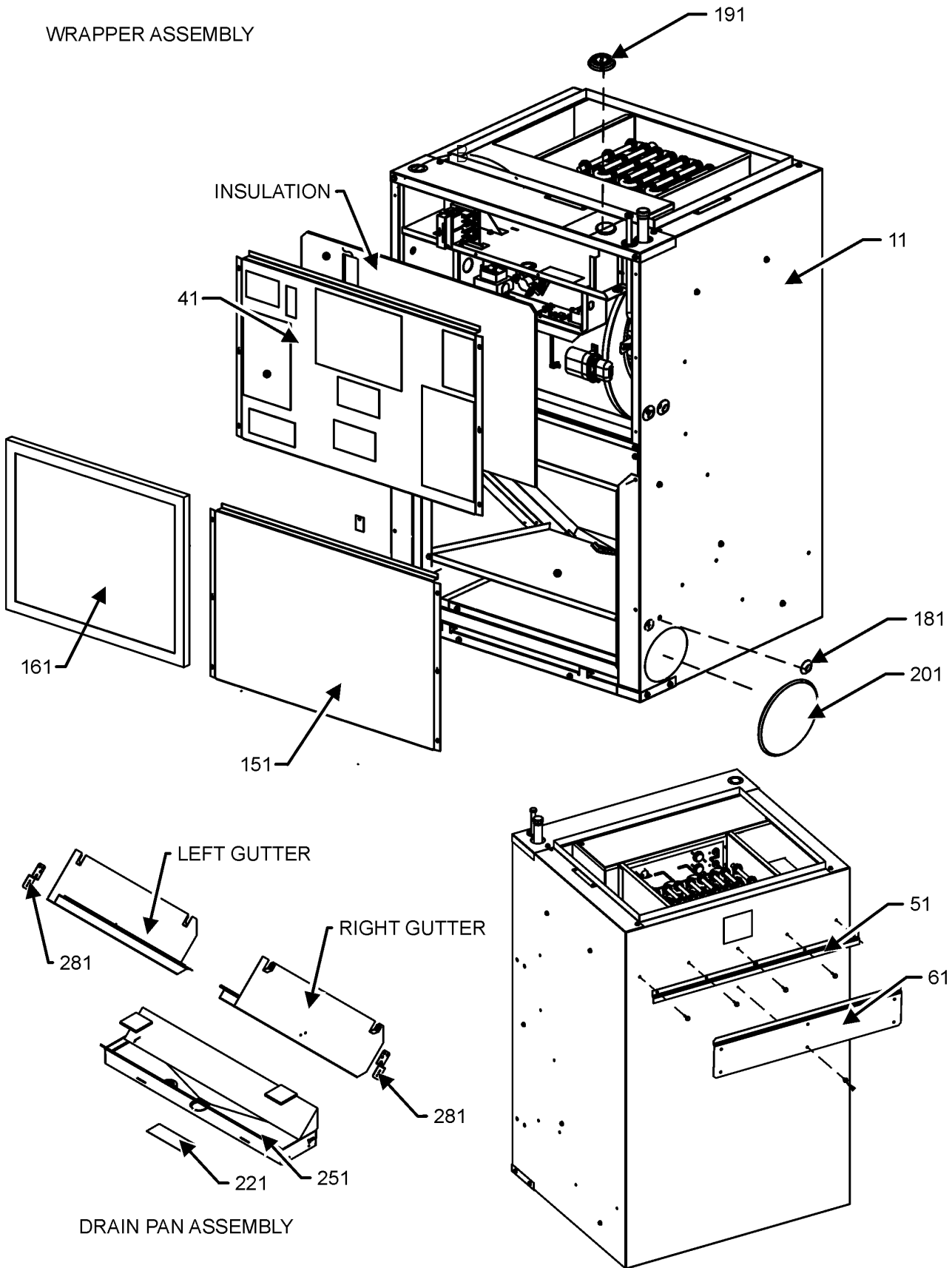
CAP075000370LA CAPACITOR 7.5/370V
CONT2P040024V CONTACTOR 40 AMP, 2P, 24V
PCBFM103 ELECTRONIC BLOWER TIME DELAY
BT1420029 ELEMENT, 4.8 KW SMALL HEATER (M1)
BT1420030 ELEMENT, 7.3 KW SMALL HEATER (M2)
BT1420031 ELEMENT, 9.8 KW SMALL HEATER (M3)
0131A00032 MOTOR, 1/5HP, 2SP, 6PL
0130M00138 TRANSFORMER, 208/230, 24V

Expanded Model Nomenclature

M1 - AWUF240516BE
M2 - AWUF240816BE
M3 - AWUF241016BE

WRAPPER ASSEMBLY

WRAPPER ASSEMBLY



WRAPPER ASSEMBLY

Ref. Part No:	Description:	Ref. Part No:	Description:
---------------	--------------	---------------	--------------

Image 1:

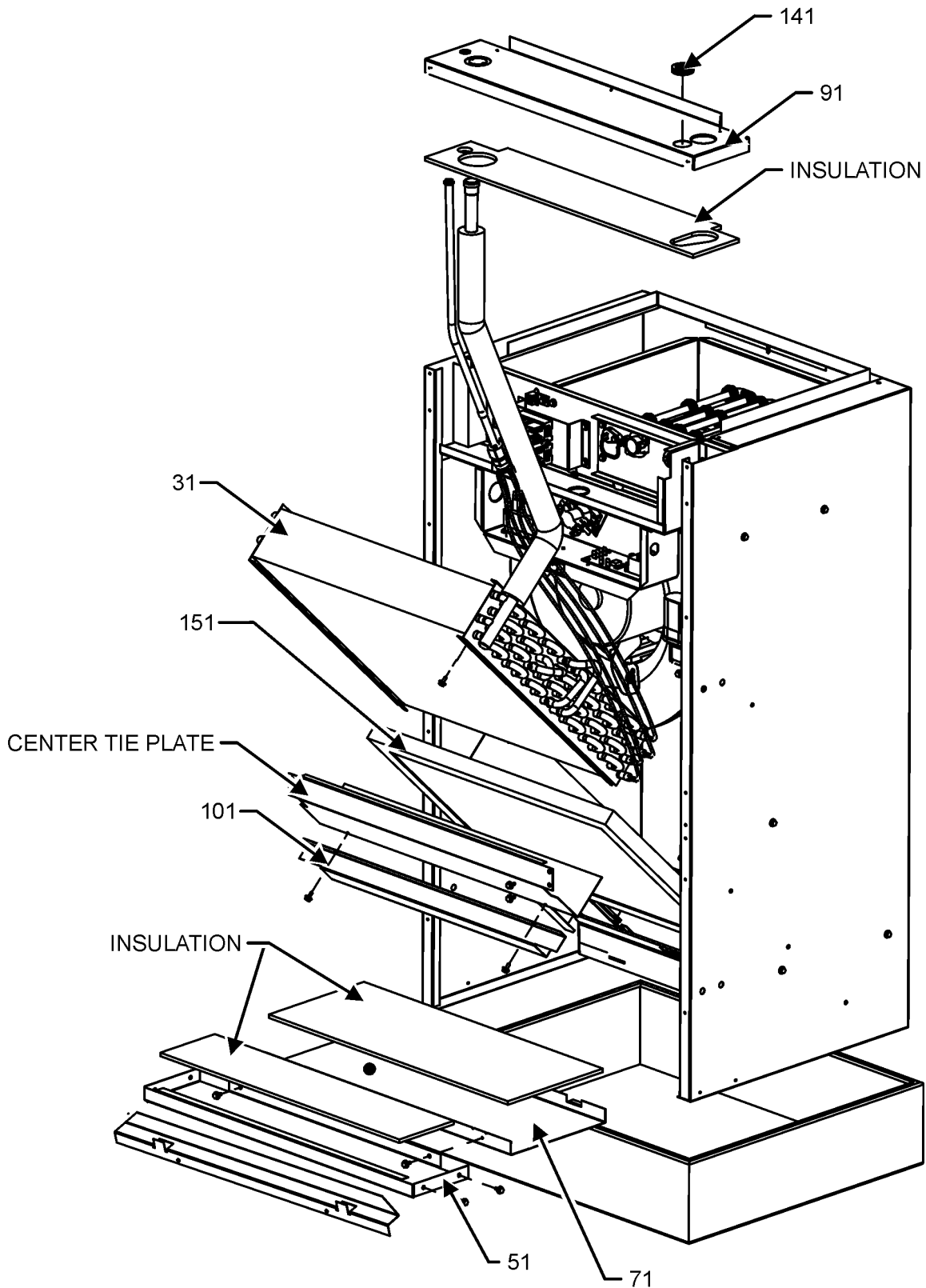
11	3702004	WRAPPER, SMALL
41	0121A00450	PANEL, SMALL FRONT ACCESS
51	3702501	HANGING BRACKET SML
61	3702800	HANGING BRACKET, FIELD
151	3701505	LOWER ACCESS PANEL-FRONT
161	0160L00139	Air Filter 14x18x1
181	0161A00068	PLUG-BUTTON (QTY 2)
191	0161A00067	FLUSH PLUG
201	0161A00068	PLUG-BUTTON (QTY 2)
221	0128R00007	SHIELD, DRAINPAN
251	0161R00022	DRAIN PAN SMALL
281	3701805	BRACKET, OFFSET (QTY 2)
NS	3701203	FILTER SUPPORT SML (QTY 2)

Expanded Model Nomenclature

M1 - AWUF240516BE
M2 - AWUF240816BE
M3 - AWUF241016BE

EVAPORATOR COIL ASSEMBLY

EVAPORATOR COIL ASSEMBLY



EVAPORATOR COIL ASSEMBLY MAY DIFFER FROM WHAT IS SHOWN

EVAPORATOR COIL ASSEMBLY

Ref. Part No:	No:	Description:	Ref. Part No:	No:	Description:
---------------	-----	--------------	---------------	-----	--------------

Image 1:

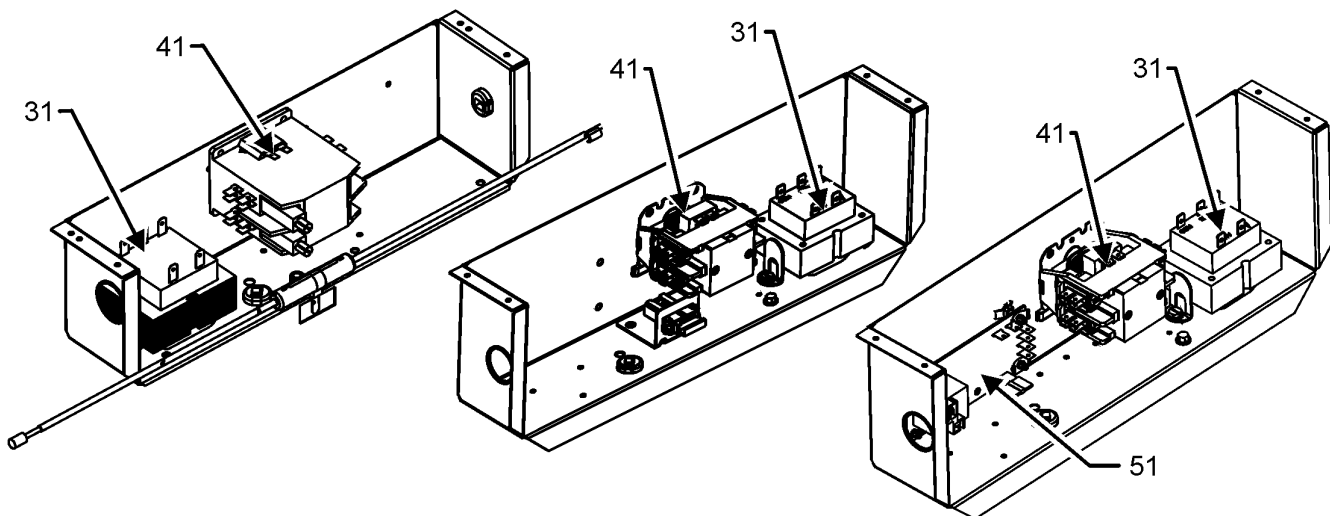
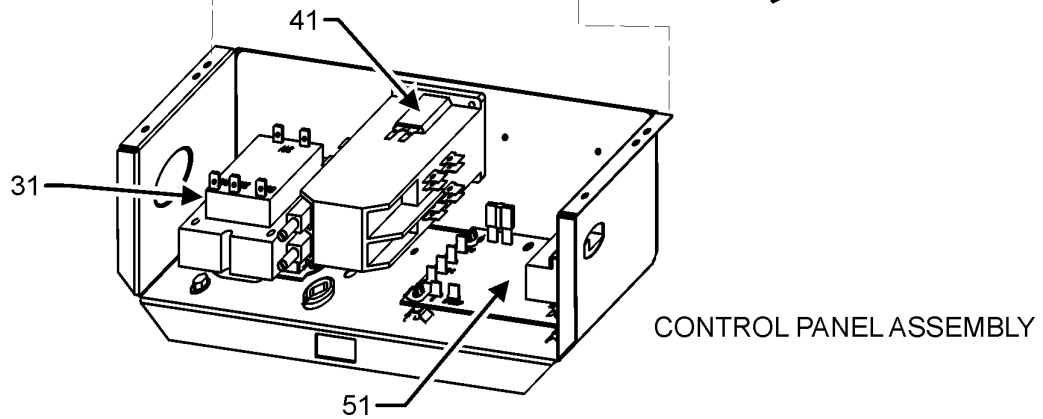
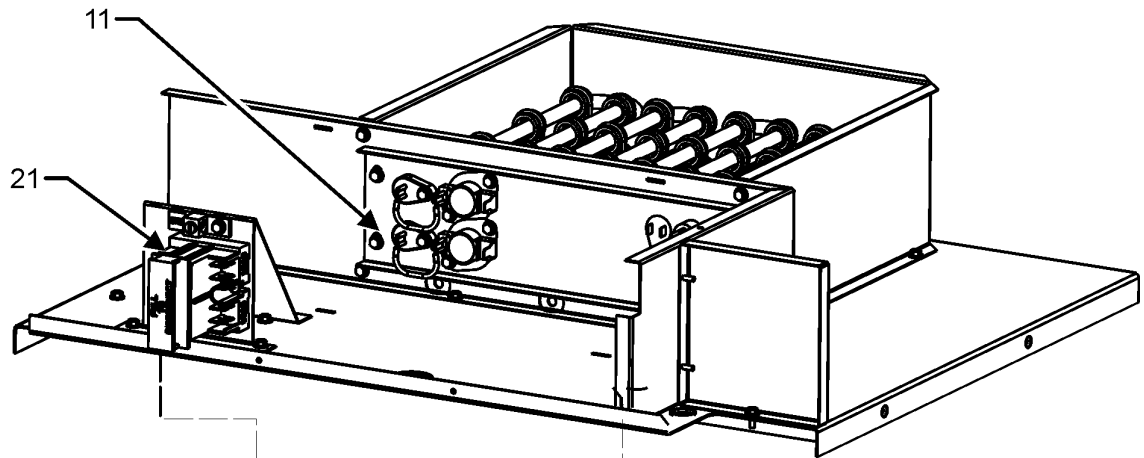
31	0270A01165	COIL TUBING ASSY
51	0121A01224	PLATE, BOTTOM TIE
71	3701502	ACCESS PANEL, DRAIN SML
91	3702104	TOP WRAPPER SML
101	3701802	FILTER OFFSET BRACKET SML
141	0164A00002	GROMMET
151	0160L00139	Air Filter 14x18x1
NS	0163M00175	CAP WITH O-RING
NS	B1787000	VALVE CORE

Expanded Model Nomenclature

M1 - AWUF240516BE
M2 - AWUF240816BE
M3 - AWUF241016BE

HEATER PANEL ASSEMBLY

HEATER PANEL ASSEMBLY



ALTERNATE CONTROL PANEL ASSEMBLIES

CONTROL/HEATER PANEL ASSEMBLY MAY DIFFER FROM WHAT IS SHOWN

HEATER PANEL ASSEMBLY

Ref. Part No: No:	Description:	Ref. Part No: No:	Description:
-------------------	--------------	-------------------	--------------

Image 1:

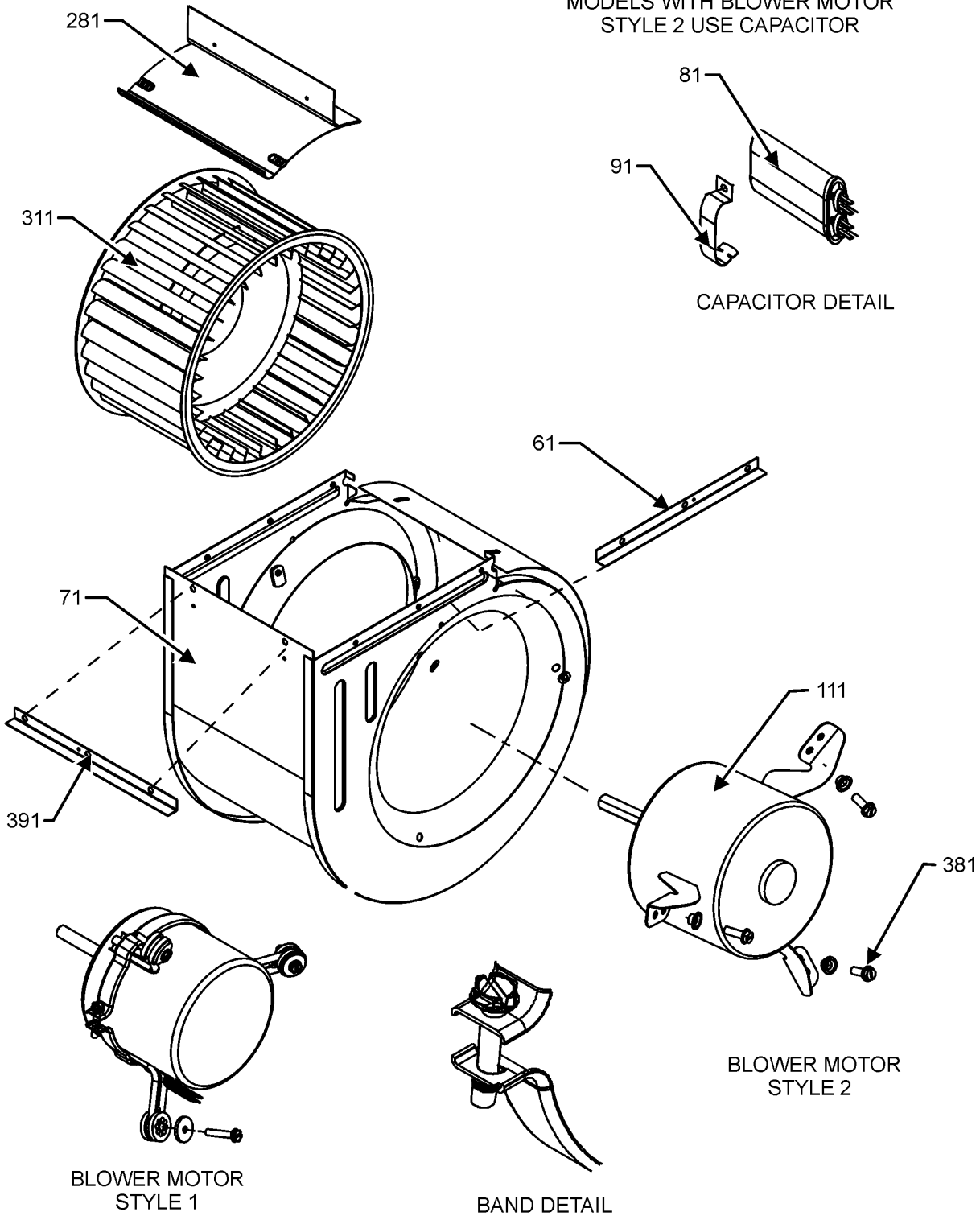
11	BT1420029	ELEMENT, 4.8 KW SMALL HEATER (M1)
11	BT1420030	ELEMENT, 7.3 KW SMALL HEATER (M2)
11	BT1420031	ELEMENT, 9.8 KW SMALL HEATER (M3)
21	0130A00091	DISCONNECT, PULL OUT
31	0130M00138	TRANSFORMER, 208/230, 24V
41	CONT2P040024V	CONTACTOR 40 AMP, 2P, 24V
51	PCBFM103	ELECTRONIC BLOWER TIME DELAY
NS	3701537	BKT, SML DSCNCT MTG

Expanded Model Nomenclature

M1 - AWUF240516BE
M2 - AWUF240816BE
M3 - AWUF241016BE

BLOWER ASSEMBLY

BLOWER ASSEMBLY



BLOWER ASSEMBLY MAY DIFFER FROM WHAT IS SHOWN

BLOWER ASSEMBLY

Ref. Part No:	No:	Description:	Ref. Part No:	No:	Description:
---------------	-----	--------------	---------------	-----	--------------

Image 1:

61	3702702	BLOWER ANGLE 6.063" (QTY 2)
71	3760200	WELDMENT, BLWR HSG.
81	CAP075000370LA	CAPACITOR 7.5/370V
91	3784800	CAPACITOR STRAP
111	0131A00032	MOTOR, 1/5HP, 2SP, 6PL
281	3739000	BLOWER CUT-OFF 6"
311	0150M00061	WHEEL,BLOWER
381	M0250558	SCREW-TC H (QTY 3)
391	3702700	BLOWER ANGLE 9"

Expanded Model Nomenclature

M1 - AWUF240516BE
M2 - AWUF240816BE
M3 - AWUF241016BE