



# REPAIR PARTS

## AWB18-30D/DFR Vertical Wall or Stud Mount Air Handler

AWB18-05D  
AWB18-08D  
AWB24-05D  
AWB24-08D  
AWB24-10D  
AWB30-05D  
AWB30-08D  
AWB30-10D  
AWB36-05DFR  
AWB36-08DFR  
AWB36-10DFR



## Important Information

---

Goodman Manufacturing Company, L.P. is not responsible for personal injury or property damage resulting from improper service. Review all service information before beginning repairs.

Warranty service must be performed by an authorized technician, using authorized factory parts. If service is required after the warranty expires, Goodman Manufacturing Company, L.P. also recommends contacting an authorized technician and using authorized factory parts.

For assistance within the U.S.A. contact:

Consumer Affairs Department  
Goodman Manufacturing Company, L.P.  
7401 Security Way  
Houston, Texas 77040  
877-254-4729-Telephone  
713-863-2382-Facsimile

For assistance outside the U.S.A. contact:

International Division  
Goodman Manufacturing Company, L.P.  
7401 Security Way  
Houston, Texas 77040  
713-861-2500-Telephone  
713-863-2382-Facsimile

# Index

Functional Parts List .....	5
Illustration and Parts .....	6 - 9

*Views shown are for parts illustrations only, not servicing procedures.*

Revision A: Updates Front Panel part numbers.

Revision B: Updates parts numbers

## **Text Codes:**

AR - As Required

NA - Not Available

NS - Not Shown

00000000 - See Note

QTY - Quantity Example (QTY 3) (If Quantity not shown, Quantity = 1)

M - Model Example (M1) (If M Code not shown, then part is used on all Models)

## **Expanded Model Nomenclature:**

Example
M1 - Model#1
M2 - Model#2
M3 - Model#3

This page left blank intentionally.

# Functional Parts

## Part

## No: Description:

---

BT1368008	BLOWER WHEEL, 10" x 6" (M3, M4, M5, M6, M7, M8)
BT1368007	BLOWER WHEEL, 9" x 6" (M1, M2)
BT1368009	BLOWER WHEEL,, 9" x 8" (M9, M10, M11)
BT9458003	CAPACITOR, 7.5 MFD
3796009S	COIL TUBING ASSY (M9, M10, M11)
3796006S	COIL TUBING ASSY (M1, M2)
3796007S	COIL TUBING ASSY (M3, M4, M5)
3796008S	COIL TUBING ASSY (M6, M7, M8)
DSK-01	DRIP SHIELD KIT (M9, M10, M11)
BT1369010	FLOWRATER/DISTRIBUTOR ASSY (M6, M7, M8)
BT1369009	FLOWRATER/DISTRIBUTOR ASSY (M3, M4, M5)
BT1369008	FLOWRATER/DISTRIBUTOR ASSY (M1, M2)
BT1420029	HEATER ELEMENT, 4.8 KW (M1, M3, M6)
BT1420032	HEATER ELEMENT, 4.8 KW (M9)
BT1420030	HEATER ELEMENT, 7.3 KW (M2, M4, M7)
BT1420033	HEATER ELEMENT, 7.3 KW (M10)
BT1420034	HEATER ELEMENT, 9.8 KW (M11)
BT1420031	HEATER ELEMENT, 9.8 KW (M5, M8)
BT1340031	MOTOR, 1/3 HP 2 SPEED, 230 VOLT (M6, M7, M8, M9, M10, M11)
BT1340030	MOTOR, 1/5 HP, 2 SPEED, 230 VOLT (M1, M2, M3, M4, M5)
BT1243752	PRIMARY THERMAL OVERLOAD (M9, M10, M11)
BT1243744	PRIMARY THERMAL OVERLOAD (M1, M2, M3, M4, M6, M7)
BT1243746	PRIMARY THERMAL OVERLOAD (M5, M8)
BT1753510	PULL OUT DISCONNECT
BT1243745	SECONDARY THERMAL OVERLOAD (M1, M2, M3, M4, M5, M6, M7, M8)
BT1243753	SECONDARY THERMAL OVERLOAD (M9, M10, M11)
B1256552	SEQUENCER (M3, M5, M7)
BT1256500	SEQUENCER (M1, M2, M4, M6, M8)
B1370735S	TIME DELAY BOARD
B1141643	TRANSFORMER

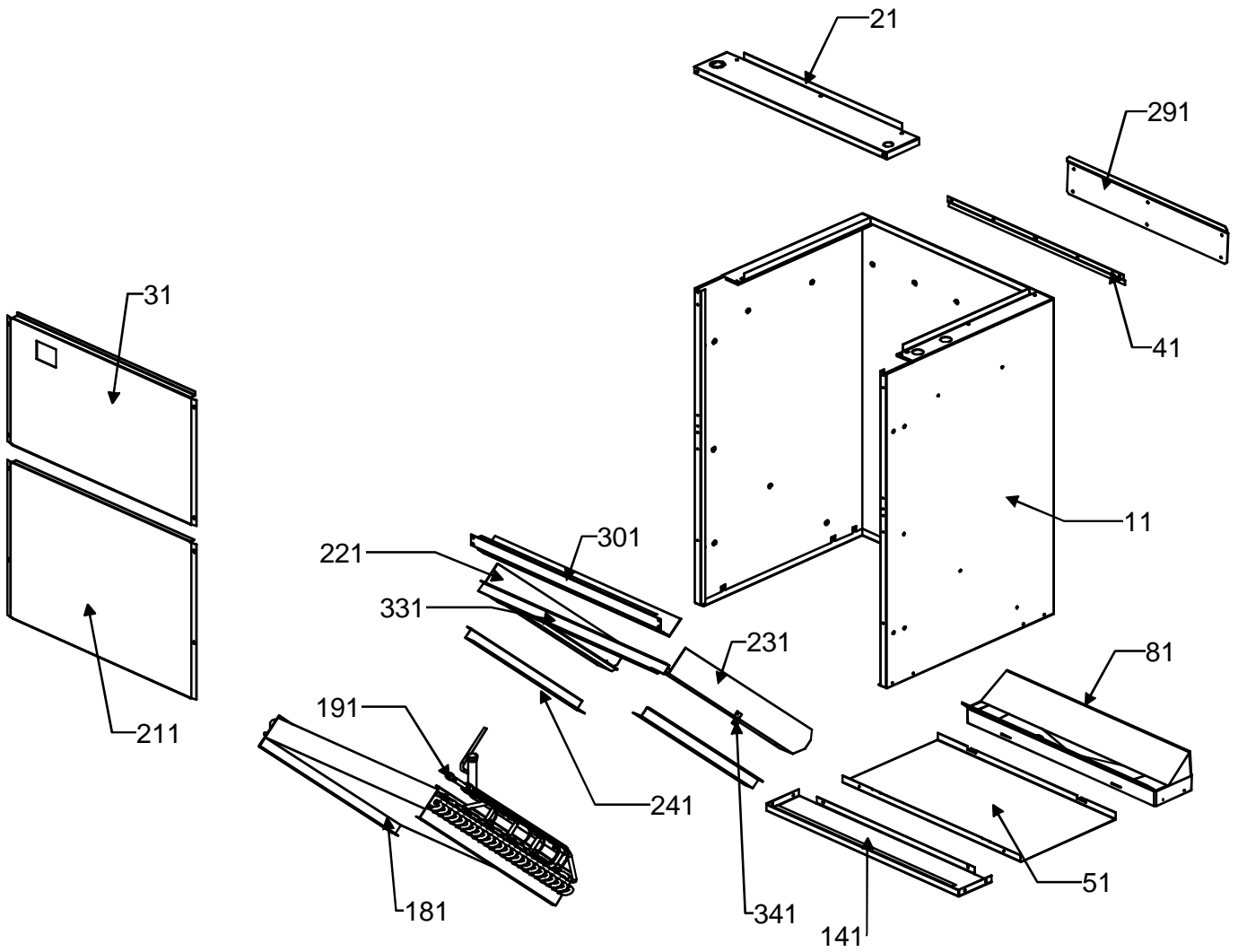
## SPECIAL PARTS

IO-233	I&O MANUAL
RP-308	REPAIR PARTS MANUAL
PW-316	WARRANTY

## Expanded Model Nomenclature

M1 - AWB18-05D
M2 - AWB18-08D
M3 - AWB24-05D
M4 - AWB24-08D
M5 - AWB24-10D
M6 - AWB30-05D
M7 - AWB30-08D
M8 - AWB30-10D
M9 - AWB36-05DFR
M10 - AWB36-08DFR
M11 - AWB36-10DFR

# Chassis and Coil Tubing Assy



# Chassis and Coil Tubing Assy

## Ref. Part

No: No: Description:

## Ref. Part

No: No: Description:

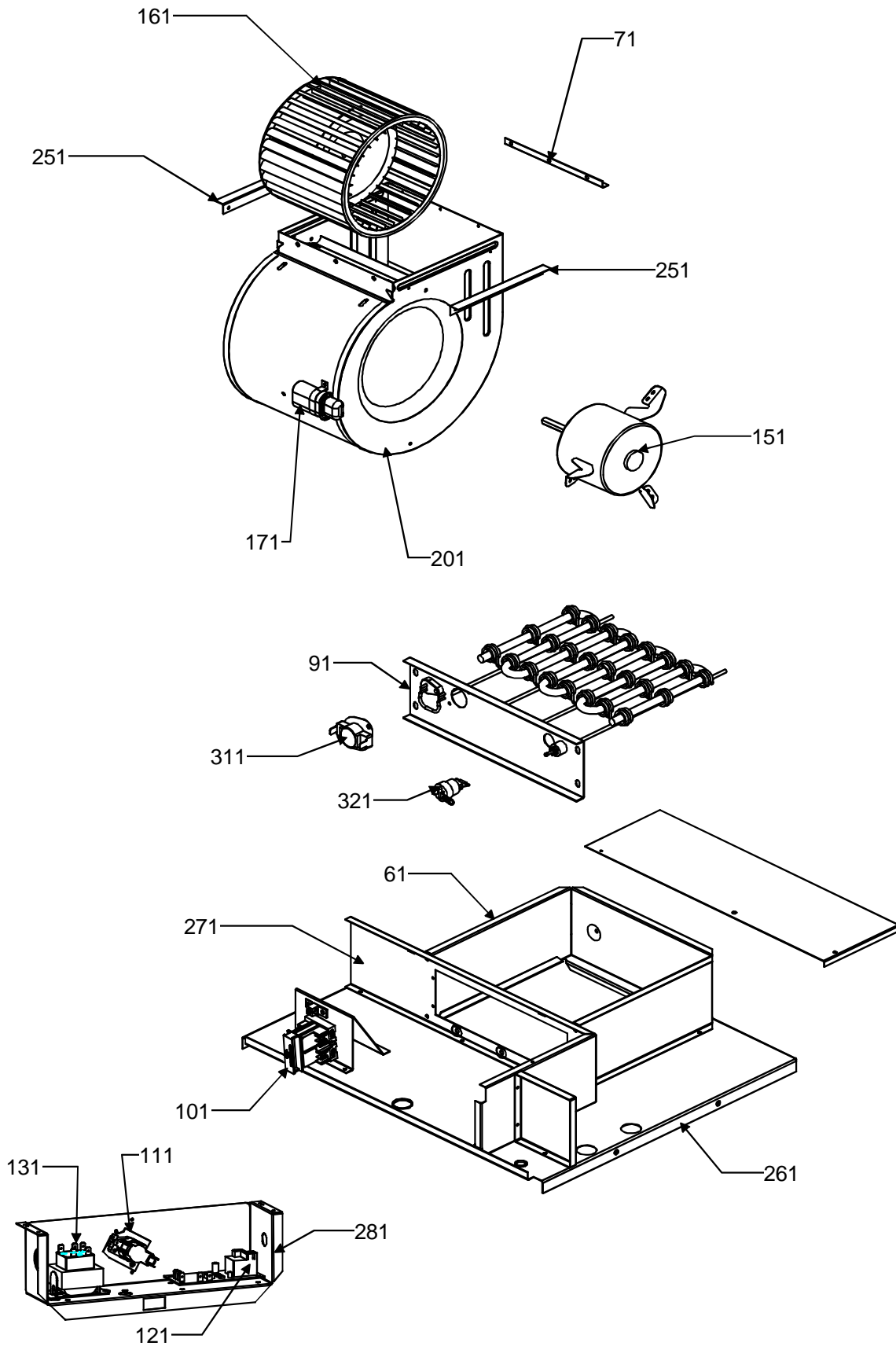
Image 1:

11	3770011	ASSY; WRAPPER W/ INSULATION (M1, M2, M3, M4, M5, M6, M7, M8)
11	3770012	ASSY; WRAPPER W/ INSULATION (M9, M10, M11)
21	3770013	ASSY; WRAPPER TOP W/ INSULATION (M1, M2, M3, M4, M5, M6, M7, M8)
21	3770014	ASSY; WRAPPER TOP W/ INSULATION (M9, M10, M11)
31	3770030	ASSEMBLY; FRONT ACCESS PANEL W/ INSULATION (M1, M2, M3, M4, M5, M6, M7, M8)
31	3770031	ASSEMBLY; FRONT ACCESS PANEL W/ INSULATION (M9, M10, M11)
41	3702500	HANGING BRACKET (M9, M10, M11)
41	3702501	HANGING BRACKET (M1, M2, M3, M4, M5, M6, M7, M8)
51	3770021	ASSY; DRAIN ACCESS PANEL W/ INSULATION (M1, M2, M3, M4, M5, M6, M7, M8)
51	3770022	ASSY; DRAIN ACCESS PANEL W/ INSULATION (M9, M10, M11)
81	BT3076500	DRAIN PAN (M1, M2, M3, M4, M5, M6, M7, M8)
81	BT3076501	DRAIN PAN (M9, M10, M11)
81	3770028	LARGE DRAIN PAN ASSY (M9, M10, M11)
81	3770027	SMALL DRAIN PAN ASSY (M1, M2, M3, M4, M5, M6, M7, M8)
141	3770017	ASSY; BOTTOM TIE PANEL W/ INSULATION (M1, M2, M3, M4, M5, M6, M7, M8)
141	3770018	ASSY; BOTTOM TIE PANEL W/ INSULATION (M9, M10, M11)
161	BT1368008	BLOWER WHEEL, 10" x 6" (M3, M4, M5, M6, M7, M8)
161	BT1368007	BLOWER WHEEL, 9" x 6" (M1, M2)
181	3796006S	COIL TUBING ASSY (M1, M2)
181	3796007S	COIL TUBING ASSY (M3, M4, M5)
181	3796008S	COIL TUBING ASSY (M6, M7, M8)
181	3796009S	COIL TUBING ASSY (M9, M10, M11)
191	BT1369008	FLOWRATER/DISTRIBUTOR ASSY (M1, M2)
191	BT1369009	FLOWRATER/DISTRIBUTOR ASSY (M3, M4, M5)
191	BT1369010	FLOWRATER/DISTRIBUTOR ASSY (M6, M7, M8)
191	BT1369011	FLOWRATER/DISTRIBUTOR ASSY (M9, M10, M11)
211	3770019	ASSEMBLY; LOWER FRONT PANEL W/ INSULATION (M1, M2, M3, M4, M5, M6, M7, M8)
221	3701232	LARGE LEFT GUTTER RAIL (M9, M10, M11)
221	3701225	SMALL LEFT GUTTER RAIL (M1, M2, M3, M4, M5, M6, M7, M8)
231	3701231	LARGE RIGHT GUTTER RAIL (M9, M10, M11)
231	3701224	SMALL RIGHT GUTTER RAIL (M1, M2, M3, M4, M5, M6, M7, M8)
291	3702800	FIELD HANGING BRACKET
301	3702300	CENTER TIE PLATE (M9, M10, M11)
301	3702302	CENTER TIE PLATE (M1, M2, M3, M4, M5, M6, M7, M8)
331	3701802	FILTER OFFSET BRACKET (M1, M2, M3, M4, M5, M6, M7, M8)
341	3701805	OFFSET BRACKET (M9, M10, M11)
341	3701805	OFFSET BRACKET (M1, M2, M3, M4, M5, M6, M7, M8)
361	BT1369606	AIR FILTER 16 X 20 X 1 (M9, M10, M11)
NS	DSK-01	DRIP SHIELD KIT (M9, M10, M11)

Expanded Model Nomenclature

M1 - AWB18-05D
M2 - AWB18-08D
M3 - AWB24-05D
M4 - AWB24-08D
M5 - AWB24-10D
M6 - AWB30-05D
M7 - AWB30-08D
M8 - AWB30-10D
M9 - AWB36-05DFR
M10 - AWB36-08DFR
M11 - AWB36-10DFR

# Blower and Heater Assemblies



# Blower and Heater Assemblies

Ref. Part No:	Ref. Part No:	Description:	Description:
<i>Image 1:</i>			
61	3701507	COLLAR, HEATER (M9, M10, M11)	
61	3701522	COLLAR, HEATER (M1, M2, M3, M4, M5, M6, M7, M8)	
71	3702700	ANGLE; 9" BLOWER	
91	BT1420029	HEATER ELEMENT, 4.8 KW (M1, M3, M6)	
91	BT1420032	HEATER ELEMENT, 4.8 KW (M9)	
91	BT1420030	HEATER ELEMENT, 7.3 KW (M2, M4, M7)	
91	BT1420033	HEATER ELEMENT, 7.3 KW (M10)	
91	BT1420031	HEATER ELEMENT, 9.8 KW (M5, M8)	
91	BT1420034	HEATER ELEMENT, 9.8 KW (M11)	
101	BT1753510	PULL OUT DISCONNECT	
111	B1256552	SEQUENCER (M3, M5, M7)	
111	BT1256500	SEQUENCER (M1, M2, M4, M6, M8)	
121	B1370735S	TIME DELAY BOARD	
131	B1141643	TRANSFORMER	
151	BT1340031	MOTOR, 1/3 HP 2 SPEED, 230 VOLT (M6, M7, M8, M9, M10, M11)	
151	BT1340030	MOTOR, 1/5 HP, 2 SPEED, 230 VOLT (M1, M2, M3, M4, M5)	
161	BT1368009	BLOWER WHEEL,, 9" x 8" (M9, M10, M11)	
171	BT9458003	CAPACITOR, 7.5 MFD	
201	3760200S	BLOWER HOUSING ASSY (M1, M2, M3, M4, M5, M6, M7, M8)	
201	3760202S	BLOWER HOUSING ASSY (M9, M10, M11)	
251	3702701	BLOWER ANGLE (M9, M10, M11)	
251	3702702	BLOWER ANGLE (M1, M2, M3, M4, M5, M6, M7, M8)	
261	3701004	BLOWER DECK (M1, M2, M3, M4, M5, M6, M7, M8)	
261	3701005	BLOWER DECK (M9, M10, M11)	
271	3700805	PANEL; HEATER MOUNTING (M1, M2, M3, M4, M5, M6, M7, M8)	
271	3700807	PANEL; HEATER MOUNTING (M9, M10, M11)	
281	3700808	ELECTRICAL JUNCTION BOX	
311	BT1243744	PRIMARY THERMAL OVERLOAD (M1, M2, M3, M4, M6, M7)	
311	BT1243746	PRIMARY THERMAL OVERLOAD (M5, M8)	
311	BT1243752	PRIMARY THERMAL OVERLOAD (M9, M10, M11)	
321	BT1243745	SECONDARY THERMAL OVERLOAD (M1, M2, M3, M4, M5, M6, M7, M8)	
321	BT1243753	SECONDARY THERMAL OVERLOAD (M9, M10, M11)	

## Expanded Model Nomenclature

- |                   |
|-------------------|
| M1 - AWB18-05D    |
| M2 - AWB18-08D    |
| M3 - AWB24-05D    |
| M4 - AWB24-08D    |
| M5 - AWB24-10D    |
| M6 - AWB30-05D    |
| M7 - AWB30-08D    |
| M8 - AWB30-10D    |
| M9 - AWB36-05DFR  |
| M10 - AWB36-08DFR |
| M11 - AWB36-10DFR |