



# REPAIR PARTS

## AWB18-30\*C Thru Revision C Vertical Wall or Stud Mount Air Handler



Except in the case of AWB\*FR, the last letter of the model number represents the revision level;  
Example: AWB18-05C A is AWB18-05C rev. A.

AWB18-05C  
AWB18-05C A  
AWB18-05C B  
AWB18-05C C  
AWB18-08C  
AWB18-08C A  
AWB18-08C B  
AWB18-08C C  
AWB24-05C  
AWB24-05C A  
AWB24-05C B  
AWB24-05C C  
AWB24-08C  
AWB24-08C A  
AWB24-08C B  
AWB24-08C C  
AWB24-10C  
AWB24-10C A  
AWB24-10C B  
AWB24-10C C  
AWB30-05C  
AWB30-05C A  
AWB30-05C B  
AWB30-05C C  
AWB30-08C  
AWB30-08C A  
AWB30-08C B  
AWB30-08C C  
AWB30-10C  
AWB30-10C A  
AWB30-10C B  
AWB30-10C C

Made in the USA by:  
Goodman Manufacturing Company, L.P.  
2550 North Loop West, Suite 400  
Houston Texas 77092

[www.goodmanmfg.com](http://www.goodmanmfg.com)

RP-303A  
Revision 0  
August 2005

# Important Information

---

## Index

Functional Parts List .....	3
Illustration and Parts .....	4 - 7

*Views shown are for parts illustrations only, not servicing procedures*

Rev. A: Corrected coil part numbers for the AWB24 and AWB30 models.

### Text Codes:

AR - As Required

NA - Not Available

NS - Not Shown

00000000 - See Note

QTY - Quantity Example (QTY 3) (If Quantity not shown, Quantity = 1)

M - Model Example (M1) (If M Code not shown, then part is used on all Models)

### Expanded Model Nomenclature:

Example	
M1 - Model#1	P _____
M2 - Model#2	P _____
M3 - Model#3	P _____

Goodman Manufacturing Company, L.P. is not responsible for personal injury or property damage resulting from improper service. Review all service information before beginning repairs.

Warranty service must be performed by an authorized technician, using authorized factory parts. If service is required after the warranty expires, Goodman Manufacturing Company, L.P. also recommends contacting an authorized technician and using authorized factory parts.

Goodman Manufacturing Company, L.P., reserves the right to discontinue, or change at any time, specifications or designs without notice or without incurring obligations. Goodman® brand products are made proudly in the

For assistance within the U.S.A. contact:  
Consumer Affairs Department  
Goodman Manufacturing Company, L.P.  
7401 Security Way  
Houston, Texas 77040  
877-254-4729-Telephone  
713-863-2382-Facsimile

For assistance outside the U.S.A. contact:  
International Division  
Goodman Manufacturing Company, L.P.  
7401 Security Way  
Houston, Texas 77040  
713-861-2500-Telephone  
713-863-2382-Facsimile

# Functional Parts

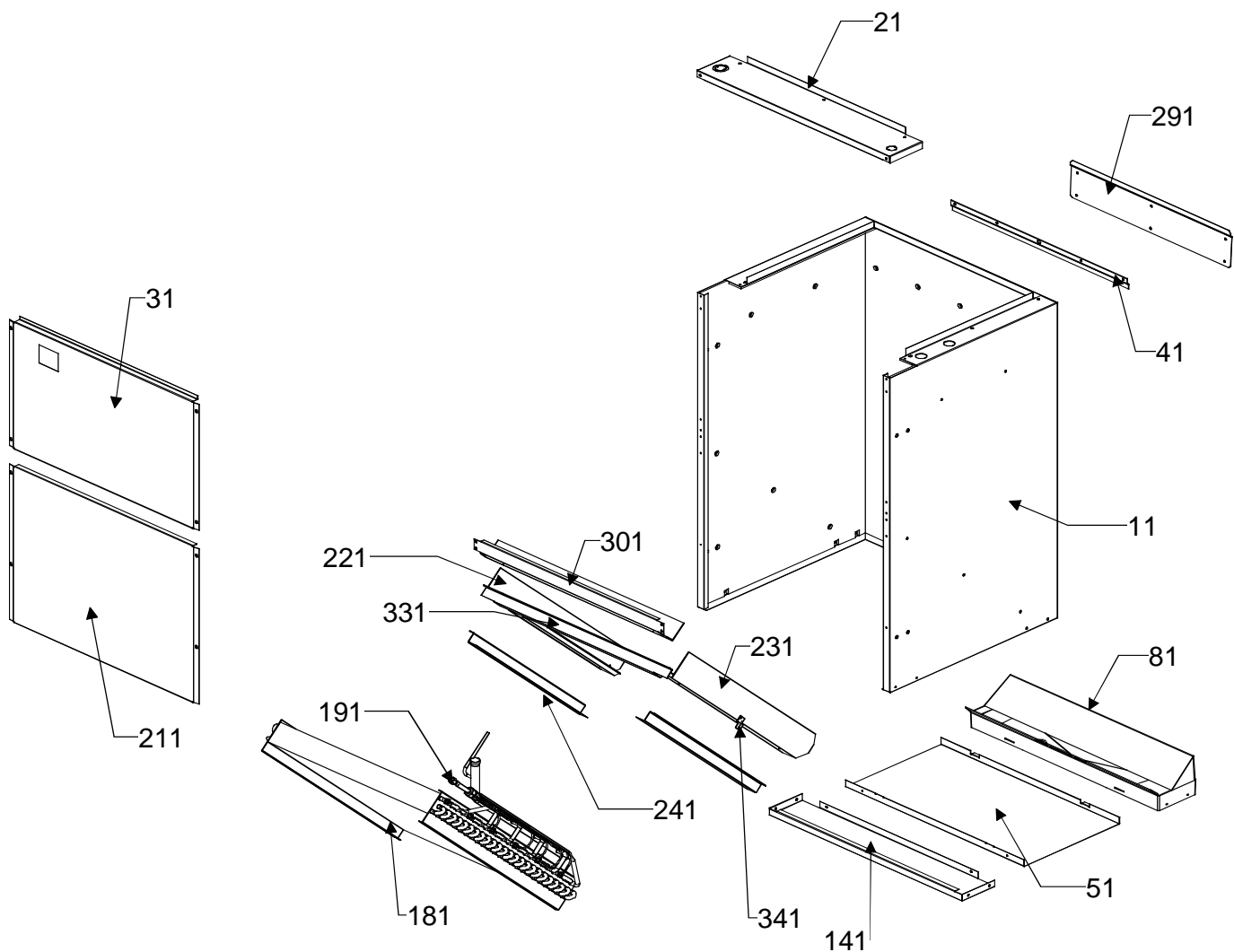
**Part No:**      **Description:**

Part No:	Description:	Expanded Model Nomenclature	
BT1368008	BLOWER WHEEL, 10" x 6" (M10, M11, M12, M14, M15, M16, M18, M19, M20, M22, M23, M24, M26, M27, M28, M30, M31, M32)	M1 - AWB18-05C	AWB18-05C
BT1368007	BLOWER WHEEL, 9" x 6" (M1, M2, M3, M4, M5, M6, M7, M8, M9, M13, M17, M21, M25, M29)	M2 - AWB18-05C A	AWB18-05C A
3796008S	COIL TUBING ASSY (M21, M22, M23, M24, M25, M26, M27, M28, M29, M30, M31, M32)	M3 - AWB18-05C B	AWB18-05C B
3796004S	COIL TUBING ASSY (M1, M5, M23, M27, M31)	M4 - AWB18-05C C	AWB18-05C C
3796006S	COIL TUBING ASSY (M2, M3, M4, M6, M7, M8)	M5 - AWB18-08C	AWB18-08C
3796007S	COIL TUBING ASSY (M9, M10, M11, M12, M13, M14, M15, M16, M17, M18, M19, M20)	M6 - AWB18-08C A	AWB18-08C A
BT1753508	DISCONNECT, 60 AMP WITH CLIP	M7 - AWB18-08C B	AWB18-08C B
BT1369001	FLOWRATER/DISTRIBUTOR ASSY (M9, M13, M17)	M8 - AWB18-08C C	AWB18-08C C
BT1369005	FLOWRATER/DISTRIBUTOR ASSY (M21, M25, M29)	M9 - AWB24-05C	AWB24-05C
BT1369008	FLOWRATER/DISTRIBUTOR ASSY (M2, M3, M4, M6, M7, M8)	M10 - AWB24-05C A	AWB24-05C A
BT1369009	FLOWRATER/DISTRIBUTOR ASSY (M10, M11, M12, M14, M15, M16, M18, M19, M20)	M11 - AWB24-05C B	AWB24-05C B
BT1369010	FLOWRATER/DISTRIBUTOR ASSY (M22, M23, M24, M26, M27, M28, M30, M31, M32)	M12 - AWB24-05C C	AWB24-05C C
BT1369007	FLOWRATER/DISTRIBUTOR ASSY (M1, M5, M23, M27, M31)	M13 - AWB24-08C	AWB24-08C
BT1420014	HEATER ELEMENT, 4.8 KW (M1, M2, M3, M4, M9, M10, M11, M12, M21, M22, M23, M24)	M14 - AWB24-08C A	AWB24-08C A
BT1420016	HEATER ELEMENT, 7.3 KW (M5, M6, M7, M8, M13, M14, M15, M16, M25, M26, M27, M28)	M15 - AWB24-08C B	AWB24-08C B
BT1420017	HEATER ELEMENT, 9.8 KW (M17, M29)	M16 - AWB24-08C C	AWB24-08C C
BT1420024	HEATER ELEMENT, 9.8 KW (M17, M18, M19, M20, M29, M30, M31, M32)	M17 - AWB24-10C	AWB24-10C
BT1340031	MOTOR, 1/3 HP 2 SPEED, 230 VOLT (M3, M7, M11, M15, M19, M23, M24, M27, M28, M31, M32)	M18 - AWB24-10C A	AWB24-10C A
BT1340027	MOTOR, 1/3 HP, 2 SPEED, 230 VOLT (M21, M22, M25, M26, M29, M30)	M19 - AWB24-10C B	AWB24-10C B
BT1340030	MOTOR, 1/5 HP, 2 SPEED, 230 VOLT (M3, M4, M7, M8, M11, M12, M15, M16, M19, M20, M23, M27, M31)	M20 - AWB24-10C C	AWB24-10C C
BT1340028	MOTOR, 1/5 HP, 2 SPEED, 230 VOLT (M1, M2, M5, M6, M9, M10, M13, M14, M17, M18)	M21 - AWB30-05C	AWB30-05C
BT1243744	PRIMARY THERMAL OVERLOAD (M1, M2, M3, M4, M5, M6, M7, M8, M9, M10, M11, M12, M13, M14, M15, M16, M17, M21, M22, M23, M24, M25, M26, M27, M28, M29)	M22 - AWB30-05C A	AWB30-05C A
BT1243746	PRIMARY THERMAL OVERLOAD (M17, M18, M19, M20, M21, M30, M31, M32)	M23 - AWB30-05C B	AWB30-05C B
BT1243745	SECONDARY THERMAL OVERLOAD (QTY AR)	M24 - AWB30-05C C	AWB30-05C C
BT1256500	SEQUENCER (M1, M2, M3, M4, M7, M8, M15, M16, M23, M24, M31, M32)	M25 - AWB30-08C	AWB30-08C
BT1256501	SEQUENCER (M5, M6, M9, M10, M11, M12, M13, M14, M17, M18, M19, M20, M21, M22, M25, M26, M27, M28, M29, M30)	M26 - AWB30-08C A	AWB30-08C A
BT1370700	TIME DELAY RELAY	M27 - AWB30-08C B	AWB30-08C B
BT1141601	TRANSFORMER	M28 - AWB30-08C C	AWB30-08C C
		M29 - AWB30-10C	AWB30-10C
		M30 - AWB30-10C A	AWB30-10C A
		M31 - AWB30-10C B	AWB30-10C B
		M32 - AWB30-10C C	AWB30-10C C

## SPECIAL PARTS

IO-177D      I&O MANUAL  
 RP-303A      REPAIR PARTS MANUAL

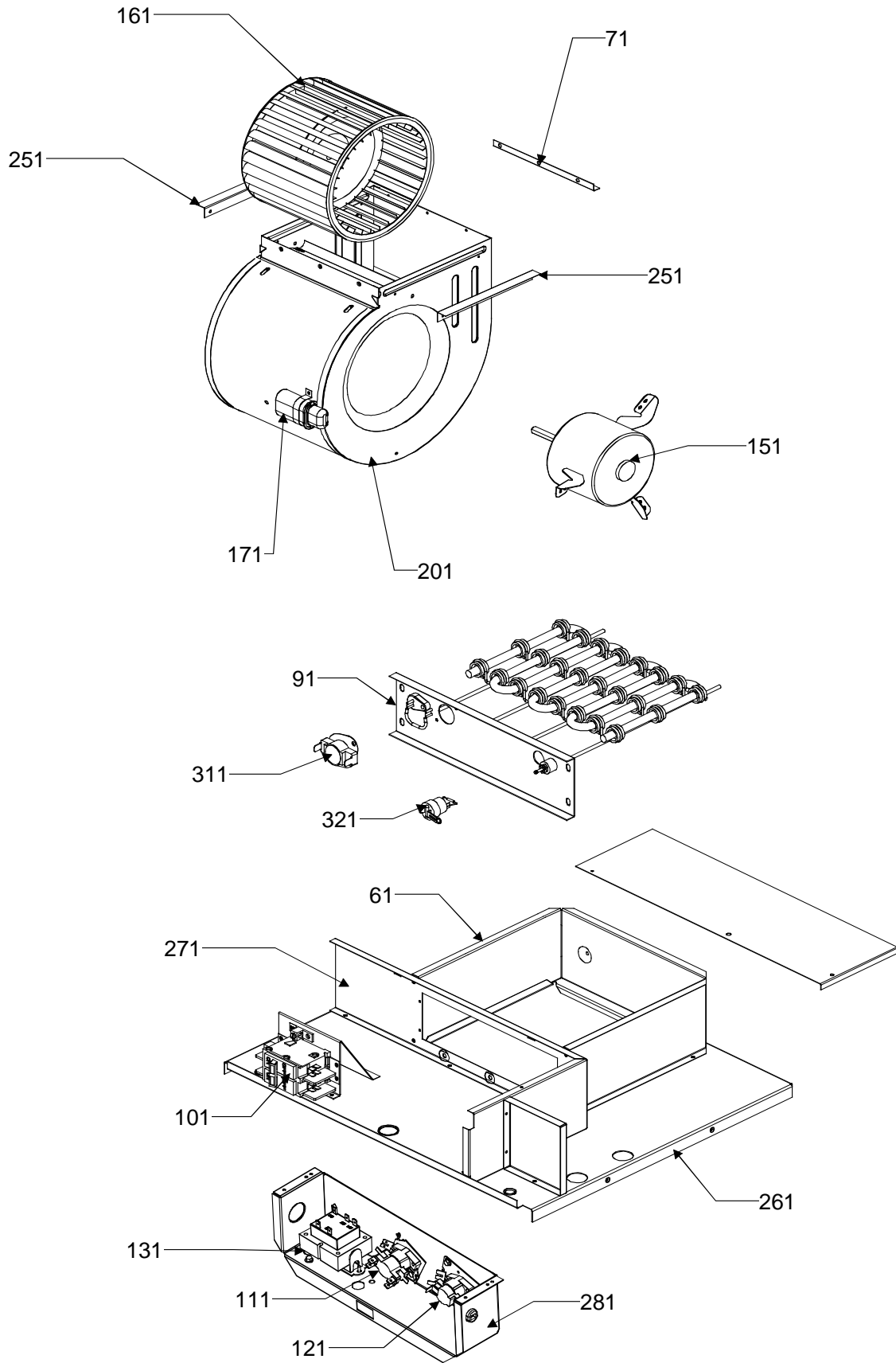
# Chassis and Coil Tubing Assy



# Chassis and Coil Tubing Assy

Ref. Part No:	No:	Description:	Ref. Part No:	No:	Description:
<i>Image 1:</i>			331	3701802	FILTER OFFSET BRACKET (M4, M8, M12, M16, M20, M24, M28, M32)
11	3770000	ASSY; WRAPPER W/ INSULATION (M1, M2, M5, M6, M9, M10, M13, M14, M17, M18, M21, M22, M25, M26, M29, M30)	341	3701805	OFFSET BRACKET
11	3770011	ASSY; WRAPPER W/ INSULATION (QTY )	Expanded Model Nomenclature		
21	3770001	ASSY; WRAPPER TOP W/ INSULATION (M1, M2, M5, M6, M9, M10, M13, M14, M17, M18, M21, M22, M25, M26, M29, M30)	M1 - AWB18-05C		AWB18-05C
21	3770013	ASSY; WRAPPER TOP W/ INSULATION (QTY )	M2 - AWB18-05C A		AWB18-05C A
31	3770002	ASSEMBLY; FRONT ACCESS PANEL W/ INSULATION (M1, M2, M5, M6, M9, M10, M13, M14, M17, M18, M21, M22, M25, M26, M29, M30)	M3 - AWB18-05C B		AWB18-05C B
31	3770015	ASSEMBLY; FRONT ACCESS PANEL W/ INSULATION (QTY )	M4 - AWB18-05C C		AWB18-05C C
41	3702501	HANGING BRACKET	M5 - AWB18-08C		AWB18-08C
51	3770021	ASSY; DRAIN ACCESS PANEL W/ INSULATION	M6 - AWB18-08C A		AWB18-08C A
81	BT3076500	DRAIN PAN	M7 - AWB18-08C B		AWB18-08C B
81	3770027	SMALL DRAIN PAN ASSY (M4, M8, M12, M16, M20, M24, M28, M32)	M8 - AWB18-08C C		AWB18-08C C
141	3770017	ASSY; BOTTOM TIE PANEL W/ INSULATION	M9 - AWB24-05C		AWB24-05C
161	BT1368008	BLOWER WHEEL, 10" x 6" (M10, M11, M12, M14, M15, M16, M18, M19, M20, M22, M23, M24, M26, M27, M28, M30, M31, M32)	M10 - AWB24-05C A		AWB24-05C A
161	BT1368007	BLOWER WHEEL, 9" x 6" (M1, M2, M3, M4, M5, M6, M7, M8, M9, M13, M17, M21, M25, M29)	M11 - AWB24-05C B		AWB24-05C B
181	3796004S	COIL TUBING ASSY (M1, M5, M23, M27, M31)	M12 - AWB24-05C C		AWB24-05C C
181	3796006S	COIL TUBING ASSY (M2, M3, M4, M6, M7, M8)	M13 - AWB24-08C		AWB24-08C
181	3796007S	COIL TUBING ASSY (M9, M10, M11, M12, M13, M14, M15, M16, M17, M18, M19, M20)	M14 - AWB24-08C A		AWB24-08C A
181	3796008S	COIL TUBING ASSY (M21, M22, M23, M24, M25, M26, M27, M28, M29, M30, M31, M32)	M15 - AWB24-08C B		AWB24-08C B
191	BT1369001	FLOWRATER/DISTRIBUTOR ASSY (M9, M13, M17)	M16 - AWB24-08C C		AWB24-08C C
191	BT1369005	FLOWRATER/DISTRIBUTOR ASSY (M21, M25, M29)	M17 - AWB24-10C		AWB24-10C
191	BT1369007	FLOWRATER/DISTRIBUTOR ASSY (M1, M5, M23, M27, M31)	M18 - AWB24-10C A		AWB24-10C A
191	BT1369008	FLOWRATER/DISTRIBUTOR ASSY (M2, M3, M4, M6, M7, M8)	M19 - AWB24-10C B		AWB24-10C B
191	BT1369009	FLOWRATER/DISTRIBUTOR ASSY (M10, M11, M12, M14, M15, M16, M18, M19, M20)	M20 - AWB24-10C C		AWB24-10C C
191	BT1369010	FLOWRATER/DISTRIBUTOR ASSY (M22, M23, M24, M26, M27, M28, M30, M31, M32)	M21 - AWB30-05C		AWB30-05C
211	3770019	ASSEMBLY; LOWER FRONT PANEL W/ INSULATION	M22 - AWB30-05C A		AWB30-05C A
221	3701200	COIL SUPPORT LEFT (M1, M2, M3, M5, M6, M7, M9, M10, M11, M13, M14, M15, M17, M18, M19, M21, M22, M23, M25, M26, M27, M29, M30, M31)	M23 - AWB30-05C B		AWB30-05C B
221	3701225	SMALL LEFT GUTTER RAIL (M4, M8, M12, M16, M20, M24, M28, M32)	M24 - AWB30-05C C		AWB30-05C C
231	3701201	COIL SUPPORT RIGHT (M1, M2, M3, M5, M6, M7, M9, M10, M11, M13, M14, M15, M17, M18, M19, M21, M22, M23, M25, M26, M27, M29, M30, M31)	M25 - AWB30-08C		AWB30-08C
231	3701224	SMALL RIGHT GUTTER RAIL (M4, M8, M12, M16, M20, M24, M28, M32)	M26 - AWB30-08C A		AWB30-08C A
241	3701203	FILTER SUPPORT (M1, M2, M3, M5, M6, M7, M9, M10, M11, M13, M14, M15, M17, M18, M19, M21, M22, M23, M25, M26, M27, M29, M30, M31)	M27 - AWB30-08C B		AWB30-08C B
291	3702800	FIELD HANGING BRACKET	M28 - AWB30-08C C		AWB30-08C C
301	3702302	CENTER TIE PLATE	M29 - AWB30-10C		AWB30-10C
			M30 - AWB30-10C A		AWB30-10C A
			M31 - AWB30-10C B		AWB30-10C B
			M32 - AWB30-10C C		AWB30-10C C

# Blower and Heater Assemblies



# Blower and Heater Assemblies

Ref. Part No:	No:	Description:	Ref. Part No:	No:	Description:
<i>Image 1:</i>			Expanded Model Nomenclature		
61	3701509	COLLAR, HEATER (M1, M2, M3, M5, M6, M7, M9, M10, M11, M13, M14, M15, M17, M18, M19, M21, M22, M23, M25, M26, M27, M29, M30, M31)	M1 - AWB18-05C		AWB18-05C
61	3701522	COLLAR, HEATER (M3, M4, M7, M8, M11, M12, M15, M16, M19, M20, M23, M24, M27, M28, M31, M32)	M2 - AWB18-05C A		AWB18-05C A
71	3702700	ANGLE; 9" BLOWER	M3 - AWB18-05C B		AWB18-05C B
91	BT1420014	HEATER ELEMENT, 4.8 KW (M1, M2, M3, M4, M9, M10, M11, M12, M21, M22, M23, M24)	M4 - AWB18-05C C		AWB18-05C C
91	BT1420016	HEATER ELEMENT, 7.3 KW (M5, M6, M7, M8, M13, M14, M15, M16, M25, M26, M27, M28)	M5 - AWB18-08C		AWB18-08C
91	BT1420017	HEATER ELEMENT, 9.8 KW (M17, M29)	M6 - AWB18-08C A		AWB18-08C A
91	BT1420024	HEATER ELEMENT, 9.8 KW (M17, M18, M19, M20, M29, M30, M31, M32)	M7 - AWB18-08C B		AWB18-08C B
101	BT1753508	DISCONNECT, 60 AMP WITH CLIP	M8 - AWB18-08C C		AWB18-08C C
111	BT1256500	SEQUENCER (M1, M2, M3, M4, M7, M8, M15, M16, M23, M24, M31, M32)	M9 - AWB24-05C		AWB24-05C
111	BT1256501	SEQUENCER (M5, M6, M9, M10, M11, M12, M13, M14, M17, M18, M19, M20, M21, M22, M25, M26, M27, M28, M29, M30)	M10 - AWB24-05C A		AWB24-05C A
121	BT1370700	TIME DELAY RELAY	M11 - AWB24-05C B		AWB24-05C B
131	BT1141601	TRANSFORMER	M12 - AWB24-05C C		AWB24-05C C
151	BT1340031	MOTOR, 1/3 HP 2 SPEED, 230 VOLT (M3, M7, M11, M15, M19, M23, M24, M27, M28, M31, M32)	M13 - AWB24-08C		AWB24-08C
151	BT1340027	MOTOR, 1/3 HP, 2 SPEED, 230 VOLT (M21, M22, M25, M26, M29, M30)	M14 - AWB24-08C A		AWB24-08C A
151	BT1340028	MOTOR, 1/5 HP, 2 SPEED, 230 VOLT (M1, M2, M5, M6, M9, M10, M13, M14, M17, M18)	M15 - AWB24-08C B		AWB24-08C B
151	BT1340030	MOTOR, 1/5 HP, 2 SPEED, 230 VOLT (M3, M4, M7, M8, M11, M12, M15, M16, M19, M20, M23, M27, M31)	M16 - AWB24-08C C		AWB24-08C C
171	BT9458000	CAPACITOR, 5 MFD (M1, M2, M5, M6, M9, M10, M13, M14, M17, M18, M21, M22)	M17 - AWB24-10C		AWB24-10C
171	BT9458003	CAPACITOR, 7.5 MFD (M3, M4, M7, M8, M11, M12, M15, M16, M19, M20, M21, M22, M23, M24, M25, M26, M27, M28, M29, M30, M31, M32)	M18 - AWB24-10C A		AWB24-10C A
201	3760200S	BLOWER HOUSING ASSY	M19 - AWB24-10C B		AWB24-10C B
251	3702702	BLOWER ANGLE	M20 - AWB24-10C C		AWB24-10C C
261	3701003	BLOWER DECK (M1, M2, M3, M5, M6, M7, M9, M10, M11, M13, M14, M15, M17, M18, M19, M21, M22, M23, M25, M26, M27, M29, M30, M31)	M21 - AWB30-05C		AWB30-05C
261	3701004	BLOWER DECK (QTY )	M22 - AWB30-05C A		AWB30-05C A
271	3700802	PANEL; HEATER MOUNTING (M1, M2, M3, M5, M6, M7, M9, M10, M11, M13, M14, M15, M17, M18, M19, M21, M22, M23, M25, M26, M27, M29, M30, M31)	M23 - AWB30-05C B		AWB30-05C B
271	3700805	PANEL; HEATER MOUNTING (QTY )	M24 - AWB30-05C C		AWB30-05C C
281	3700803	ELECTRICAL JUNCTION BOX (M1, M5, M9, M13, M17, M21, M25, M29)	M25 - AWB30-08C		AWB30-08C
281	3700806	ELECTRICAL JUNCTION BOX (M2, M3, M4, M6, M7, M8, M10, M11, M12, M14, M15, M16, M18, M19, M20, M22, M23, M24, M26, M27, M28, M30, M31, M32)	M26 - AWB30-08C A		AWB30-08C A
311	BT1243744	PRIMARY THERMAL OVERLOAD (M1, M2, M3, M4, M5, M6, M7, M8, M9, M10, M11, M12, M13, M14, M15, M16, M17, M21, M22, M23, M24, M25, M26, M27, M28, M29)	M27 - AWB30-08C B		AWB30-08C B
311	BT1243746	PRIMARY THERMAL OVERLOAD (M17, M18, M19, M20, M21, M30, M31, M32)	M28 - AWB30-08C C		AWB30-08C C
321	BT1243745	SECONDARY THERMAL OVERLOAD (QTY AR)	M29 - AWB30-10C		AWB30-10C
			M30 - AWB30-10C A		AWB30-10C A
			M31 - AWB30-10C B		AWB30-10C B
			M32 - AWB30-10C C		AWB30-10C C