

AVPTC Communicating Air Handler

AVPTC25B14BC
AVPTC29B14BC
AVPTC31C14BC
AVPTC33C14BC
AVPTC35B14BC
AVPTC37B14BC
AVPTC37C14BC
AVPTC37D14BC
AVPTC39C14BC
AVPTC49C14BC
AVPTC49D14BC
AVPTC59C14BC
AVPTC59D14BC
AVPTC61D14BC



Amana® is a registered trademark of Maytag Corporation or its related companies and is used under license. All rights reserved.

This manual is to be used by qualified technicians only.

This manual replaces RP-A4350.

© 2022 Goodman Company, L.P. ♦ 5151 San Felipe St, Suite 500 ♦ Houston, TX 77056

Important Information

Index

Functional Parts List	3
Illustration and Parts	4 - 9

Views shown are for parts illustrations only, not servicing procedures.

Text Codes:

AR - As Required

NA - Not Available

NS - Not Shown

00000000 - See Note

QTY - Quantity Example (QTY 3) (If Quantity not shown, Quantity = 1)

M - Model Example (M1) (If M Code not shown, then part is used on all Models)

Expanded Model Nomenclature:

Example
M1 - Model#1
M2 - Model#2
M3 - Model#3

Goodman Company, L.P. is not responsible for personal injury or property damage resulting from improper service. Review all service information before beginning repairs.

Warranty service must be performed by an authorized technician, using authorized factory parts. If service is required after the warranty expires, Goodman Company, L.P. also recommends contacting an authorized technician and using authorized factory parts.

Goodman Company, L.P. reserves the right to discontinue, or change at any time, specifications or designs without notice or without incurring obligations.

For assistance within the U.S.A. contact:

Homeowner Support
Goodman Company, L.P.
19001 Kermier Road
Waller, Texas 77484
877-254-4729-Telephone
713-863-2382-Facsimile

For assistance outside the U.S.A. contact:

International Division
Goodman Company, L.P.
19001 Kermier Road
Waller, Texas 77484
713-861-2500-Telephone
713-863-2382-Facsimile

Functional Parts

Part

No: **Description:**

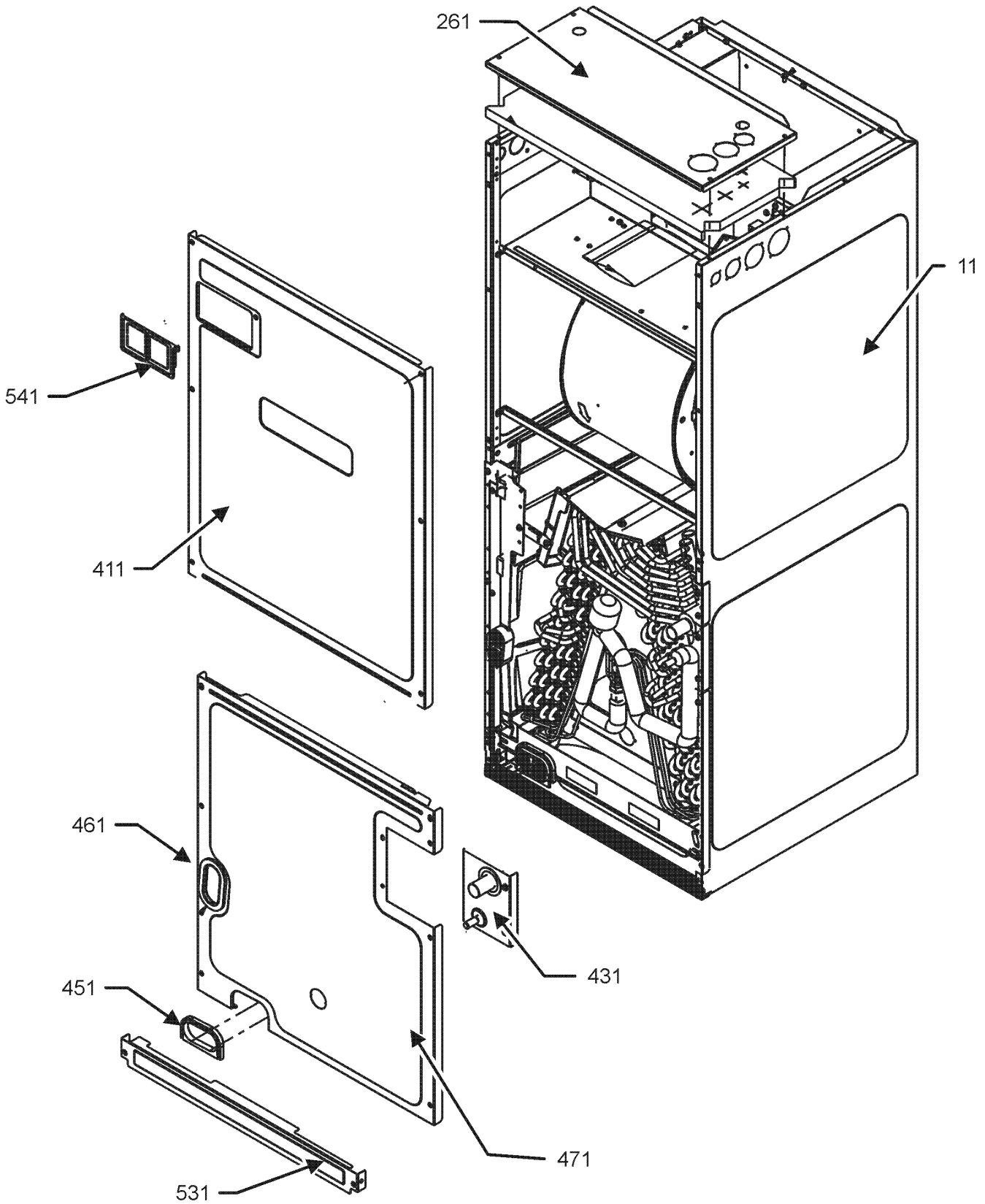
SHARED DATA	Available thru CoolCloud HVAC app
0131M01011	MOTOR, 1 HP (M12, M13, M14)
0131M01002	MOTOR, 1/2 HP (M1, M4, M5)
0131M01003	MOTOR, 3/4 HP (M2, M3, M6, M7, M8, M9, M10, M11)
PCBJA106	PCB, CONTROL, AIR HANDLER
0130M00138	TRANSFORMER, 208/230, 24V
0151R00199	VALVE, TXV R-410/A (M12, M13, M14)
0151R00198	VALVE, TXV R-410/A (M6, M7, M8, M11)
0151R00197	VALVE, TXV R-410/A (M1, M2, M3)
0151M00067	VALVE, TXV R-410A BOOSTER CHG (M10)
0151M00066	VALVE, TXV R-410A BOOSTER CHG (M5, M9)
0151M00065	VALVE, TXV R-410A BOOSTER CHG (M4)

Expanded Model Nomenclature

- | |
|--------------------|
| M1 - AVPTC25B14BC |
| M2 - AVPTC29B14BC |
| M3 - AVPTC31C14BC |
| M4 - AVPTC33C14BC |
| M5 - AVPTC35B14BC |
| M6 - AVPTC37B14BC |
| M7 - AVPTC37C14BC |
| M8 - AVPTC37D14BC |
| M9 - AVPTC39C14BC |
| M10 - AVPTC49C14BC |
| M11 - AVPTC49D14BC |
| M12 - AVPTC59C14BC |
| M13 - AVPTC59D14BC |
| M14 - AVPTC61D14BC |

WRAPPER ASSEMBLY

WRAPPER ASSEMBLY



WRAPPER ASSEMBLY

Ref. Part No:	Part No:	Description:	Ref. Part No:	Part No:	Description:
---------------	----------	--------------	---------------	----------	--------------

Image 1:

11	0121A00455PDG	WRAPPER (M8, M13)			
11	0121A00456PDG	WRAPPER (M3, M7, M12)			
11	0121A00458PDG	WRAPPER (M2, M6)			
11	0121A01476PDG	WRAPPER, AIR HANDLER, PAINTED (M4, M9, M10)			
11	0121A00276PDG	WRAPPER, LARGE, PAINTED (M11, M14)			
11	0121A00281PDG	WRAPPER, SM, PAINTED (M1, M5)			
261	0121A01483PDG	PLATE, UPPER TIE, PAINTED (M1, M2, M5, M6)			
261	0121A01484PDG	PLATE, UPPER TIE, PAINTED (M3, M4, M7, M9, M10, M12)			
261	0121A01485PDG	PLATE, UPPER TIE, PAINTED (M8, M11, M13, M14)			
411	0121A01440PDG	PANEL, UPPER ACCESS (M8, M11, M13, M14)			
411	0121A01441PDG	PANEL, UPPER ACCESS (M3, M4, M7, M9, M10, M12)			
411	0121A01442PDG	PANEL, UPPER ACCESS (M1, M2, M5, M6)			
431	0121A00658PDG	Panel, Refrigerant Tubing			
451	0154A00006BL	GASKET, DRAIN PAN			
461	0154A00007BL	GASKET, DRAIN PAN			
471	0121A00460PDG	LOWER ACCESS PANEL (M8, M13)			
471	0121A00461PDG	LOWER ACCESS PANEL (M3, M7, M12)			
471	0121A00463PDG	LOWER ACCESS PANEL (M2, M6)			
471	0121A00618PDG	LOWER ACCESS PANEL (M11, M14)			
471	0121A00620PDG	LOWER ACCESS PANEL (M1, M5)			
471	0121A00619PDG	LOWER ACCESS PANEL, PAINTED (M4, M9, M10)			
531	0121A00242PDG	Panel, Filter Access (M1, M2, M5, M6)			
531	0121A00243PDG	Panel, Filter Access (M3, M4, M7, M9, M10, M12)			
531	0121A00244PDG	Panel, Filter Access (M8, M11, M13, M14)			
541	0161A00073	CIRCUIT BREAKER COVER			
NS	0164A00002	GROMMET			
NS	0163M00036	SCREW,#10X1/2,B,BZ,SLOT,SR,BLK (QTY 4)			
NS	0163A00026	THUMB SCREW (QTY 2)			
NS	BT1392909	WASHER; SS RETAINING (QTY 2)			

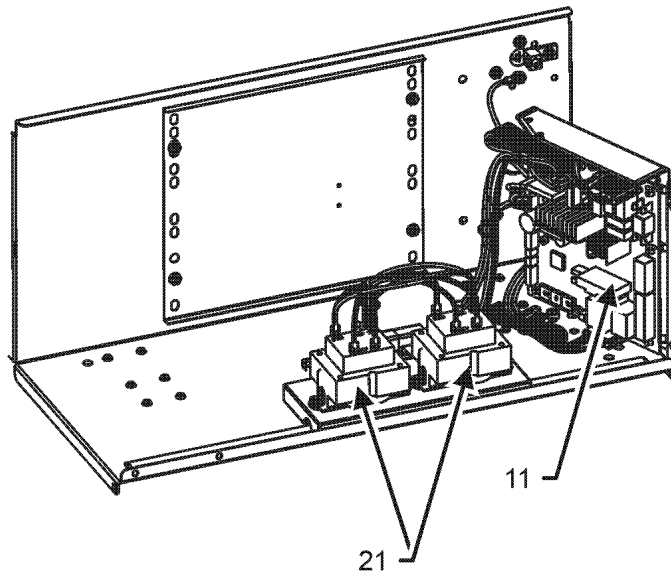
Expanded Model Nomenclature

M1 - AVPTC25B14BC
M2 - AVPTC29B14BC
M3 - AVPTC31C14BC
M4 - AVPTC33C14BC
M5 - AVPTC35B14BC
M6 - AVPTC37B14BC
M7 - AVPTC37C14BC
M8 - AVPTC37D14BC
M9 - AVPTC39C14BC
M10 - AVPTC49C14BC
M11 - AVPTC49D14BC
M12 - AVPTC59C14BC
M13 - AVPTC59D14BC
M14 - AVPTC61D14BC

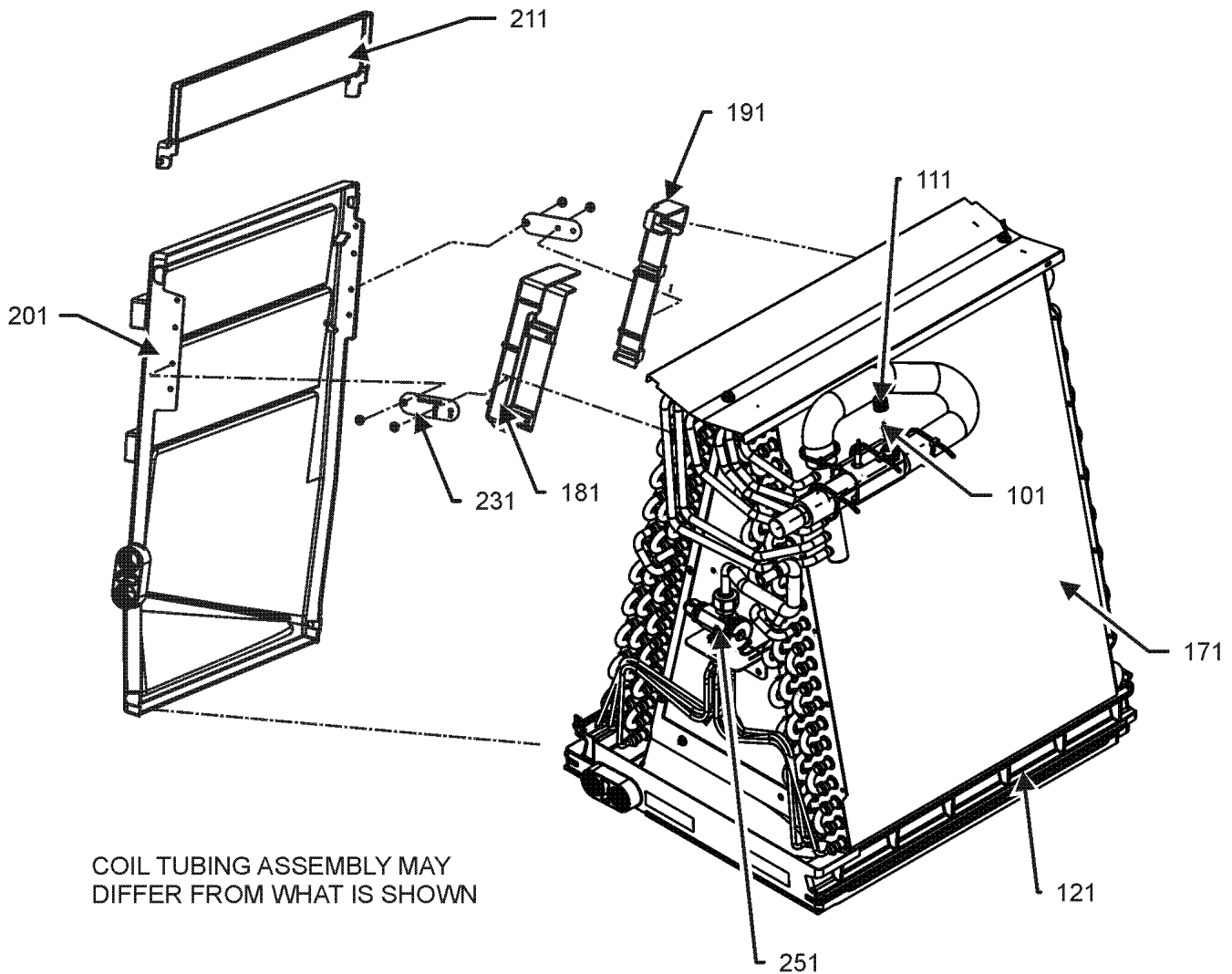
CONTROL BOX & COIL ASSEMBLY

CONTROL PANEL ASSEMBLY

NOTE: CONTROL PANEL ASSEMBLY MAY DIFFER FROM WHAT IS SHOWN



COIL TUBING ASSEMBLY



COIL TUBING ASSEMBLY MAY DIFFER FROM WHAT IS SHOWN

CONTROL BOX & COIL ASSEMBLY

Ref. Part No: No:	Description:	Ref. Part No: No:	Description:
<i>Image 1:</i>		Expanded Model Nomenclature	
11	PCBJA106	PCB, CONTROL, AIR HANDLER	M1 - AVPTC25B14BC
21	0130M00138	TRANSFORMER, 208/230, 24V	M2 - AVPTC29B14BC
101	0163M00175	CAP WITH O-RING	M3 - AVPTC31C14BC
111	B1787000	VALVE CORE	M4 - AVPTC33C14BC
121	0161A00049	DRAINPAN, VERTICAL (M1, M2, M5, M6)	M5 - AVPTC35B14BC
121	0161A00051	DRAINPAN, VERTICAL (M8, M11, M13, M14)	M6 - AVPTC37B14BC
121	0161A00052	DRAINPAN, VERTICAL (M3, M4, M7, M9, M10, M12)	M7 - AVPTC37C14BC
171	0270A00854	COIL TUBING ASSEMBLY (M2)	M8 - AVPTC37D14BC
171	0270A00855	COIL TUBING ASSEMBLY (M7)	M9 - AVPTC39C14BC
171	0270A00857	COIL TUBING ASSEMBLY (M8)	M10 - AVPTC49C14BC
171	0270A00903	COIL TUBING ASSEMBLY (M1)	M11 - AVPTC49D14BC
171	0270A00906	COIL TUBING ASSEMBLY (M9)	M12 - AVPTC59C14BC
171	0270A01030	COIL TUBING ASSEMBLY (M6)	M13 - AVPTC59D14BC
171	0270A01032	COIL TUBING ASSEMBLY (M12)	M14 - AVPTC61D14BC
171	0270A01034	COIL TUBING ASSEMBLY (M14)	
171	0270A01081	COIL TUBING ASSEMBLY (M3)	
171	0270A01085	COIL TUBING ASSEMBLY (M13)	
171	0270A01086	COIL TUBING ASSEMBLY (M11)	
171	0270A01097	COIL TUBING ASSEMBLY (M10)	
171	0270A01194	COIL TUBING ASSEMBLY (M4)	
171	0270A01331	COIL TUBING ASSEMBLY (M5)	
181	0161A00060	CONDENSATE, COLLECT, FRONT	
191	0161A00061	CONDENSATE, COLLECT, BACK	
201	0161A00055	DRAIN PAN HORIZONTAL, SMALL (M1, M4, M5, M9, M10)	
201	0161A00053	DRAIN PAN HORIZONTAL, TALL (M2, M3, M6, M7, M8, M11, M12, M13, M14)	
211	0161A00054	DRAIN PAN, EXTENSION, SMALL (M1, M2, M3, M5, M6, M7, M8, M12, M13)	
211	0161A00056	DRAIN PAN, EXTENSION, TALL (M4, M9, M10, M11, M14)	
231	0121A00633	BRACKET, DRIP SHIELD (M1, M2, M3, M5, M6, M7, M10, M12)	
231	0121A00634	BRACKET, DRIP SHIELD (M4, M8, M9, M11, M13, M14)	
251	0151R00197	VALVE, TXV R-410/A (M1, M2, M3)	
251	0151R00198	VALVE, TXV R-410/A (M6, M7, M8, M11)	
251	0151R00199	VALVE, TXV R-410/A (M12, M13, M14)	
251	0151M00065	VALVE, TXV R-410A BOOSTER CHG (M4)	
251	0151M00066	VALVE, TXV R-410A BOOSTER CHG (M5, M9)	
251	0151M00067	VALVE, TXV R-410A BOOSTER CHG (M10)	
NS	BT1369063	90 DEGREE STUB	
NS	0259A00021	WIRE ASSY, 9 PIN FEMALE CONN	
NS	0259A00016	WIRE HARNESS	

BLOWER ASSEMBLY

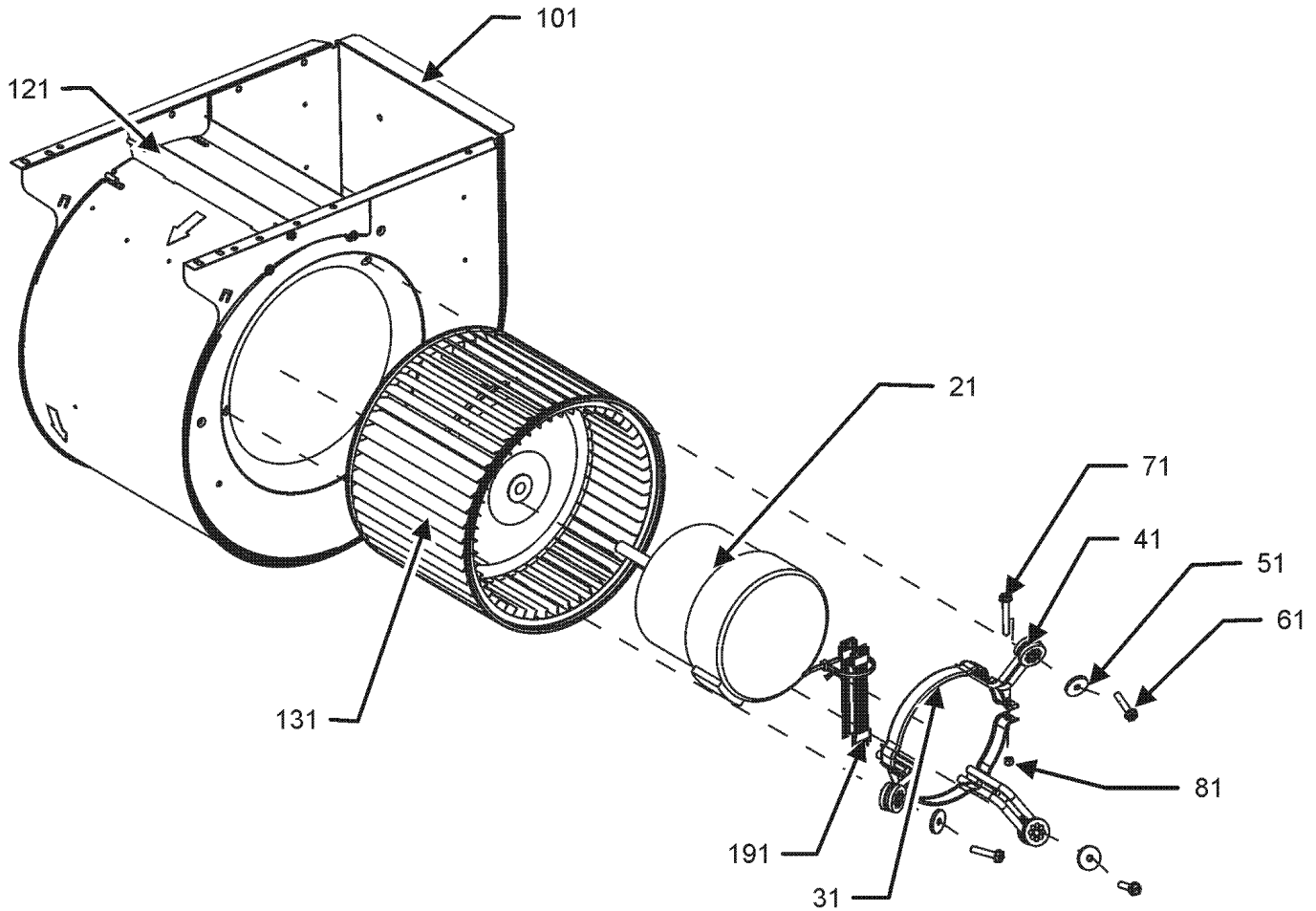
BLOWER ASSEMBLY

*If end bells are needed please order the following:

0131M00182 - 1/2 HP

0131M00183 - 3/4 HP

0131M00184 - 1 HP



BLOWER ASSEMBLY

Ref. Part No:	Ref. Part No:	Description:	Description:
Image 1:			
21	0131M01011	MOTOR, 1 HP (M12, M13, M14)	
21	0131M01002	MOTOR, 1/2 HP (M1, M4, M5)	
21	0131M01003	MOTOR, 3/4 HP (M2, M3, M6, M7, M8, M9, M10, M11)	
31	0121M00038	MOTOR MOUNT BAND (M1, M2, M3, M4, M5, M6, M7, M9, M10)	
31	0121M00039	MOTOR MOUNT BAND (HEAVY DUTY) (M8, M11, M12, M13, M14)	
41	0171M00011	MOTOR MOUNT ARM (M1, M2, M5, M6)	
41	0171M00012	MOTOR MOUNT ARM (M3, M4, M7, M9, M10)	
41	0163M00538	MOUNT ARM, MOTOR (M8, M11, M12, M13, M14)	
51	B1392918	WASHER, FLAT 1/4 ID X 1 OD (QTY 3)	
61	M0250565	TC SCREW 1.25" (QTY 3)	
71	0163M00320	HEX HED ALL THREAD TAP BOLT	
81	B1393800	LOCKNUT, NYLON, INSERT 1/4,20	
101	0271A00016	ASSY, BLOWER SHELL (M8, M11)	
101	0271A00029	ASSY, BLOWER SHELL 10 X 8 (M3, M4, M7, M9, M10, M12)	
101	0271A00206	BLOWER SHELL ASSY (M13, M14)	
101	0271A00299	BLOWER SHELL ASSY 9X6,MORRISON (M1, M2, M5, M6)	
121	764741	BLWR BLK-OFF,10X10 (M8, M11)	
121	764740	BLWR BLK-OFF,10X8 (M3, M4, M7, M9, M10, M12)	
131	B1368058	Blower Wheel (10 X 8) (M3, M4, M7, M9, M10)	
131	0150M00058	WHEEL, BLOWER (M12)	
131	0150M00059	WHEEL, BLOWER (M8, M11)	
191	0259M00008	WIRE HARNESS	
NS	SHARED DATA	Available thru CoolCloud HVAC app	
NS	0163M00003P	SCREW,#10 X 1/2,A,SLOT,SR,BLK (QTY 2)	

Expanded Model Nomenclature

M1 - AVPTC25B14BC
M2 - AVPTC29B14BC
M3 - AVPTC31C14BC
M4 - AVPTC33C14BC
M5 - AVPTC35B14BC
M6 - AVPTC37B14BC
M7 - AVPTC37C14BC
M8 - AVPTC37D14BC
M9 - AVPTC39C14BC
M10 - AVPTC49C14BC
M11 - AVPTC49D14BC
M12 - AVPTC59C14BC
M13 - AVPTC59D14BC
M14 - AVPTC61D14BC