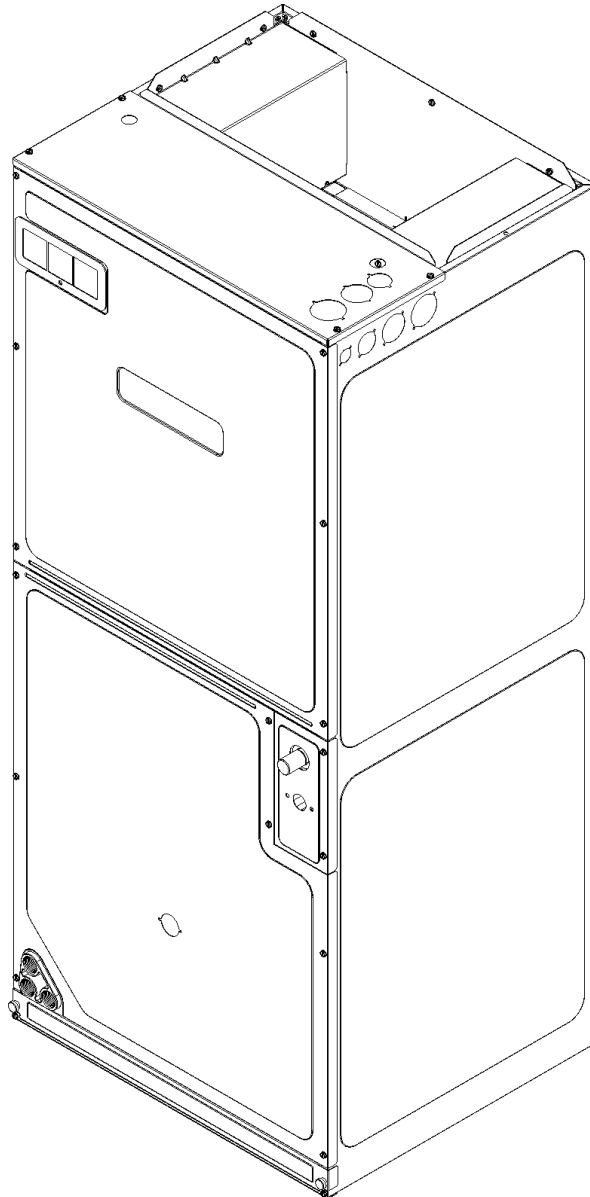


# REPAIR PARTS

---

## AVPTC Air Handler

AVPTC24B14AA  
AVPTC24B14AB  
AVPTC24B14AC  
AVPTC30C14AA  
AVPTC30C14AB  
AVPTC36C14AA  
AVPTC36C14AB  
AVPTC42D14AA  
AVPTC42D14AB  
AVPTC42D14AC  
AVPTC48C14AA  
AVPTC48C14AB  
AVPTC48D14AA  
AVPTC48D14AB  
AVPTC48D14AC  
AVPTC60D14AA  
AVPTC60D14AB  
AVPTC60D14AC  
AVPTC60D14AD



This manual is to be used by qualified technicians only.

This manual replaces RP-775E.

© 2013-2014 Goodman Manufacturing Company, L.P. ♦ 5151 San Felipe, Suite 500 ♦ Houston, TX 77056

# Important Information

---

## Index

Functional Parts List .....	3
Illustration and Parts .....	4 - 9

*Views shown are for parts illustrations only, not servicing procedures*

Rev F: shared data updates

### Text Codes:

AR - As Required

NA - Not Available

NS - Not Shown

00000000 - See Note

QTY - Quantity Example (QTY 3) (If Quantity not shown, Quantity = 1)

M - Model Example (M1) (If M Code not shown, then part is used on all Models)

### Expanded Model Nomenclature:

Example M1 - Model#1 M2 - Model#2 M3 - Model#3
---

Goodman Manufacturing Company, L.P. is not responsible for personal injury or property damage resulting from improper service. Review all service information before beginning repairs.

Warranty service must be performed by an authorized technician, using authorized factory parts. If service is required after the warranty expires, Goodman Manufacturing Company, L.P. also recommends contacting an authorized technician and using authorized factory parts.

Goodman Manufacturing Company, L.P. reserves the right to discontinue, or change at any time, specifications or designs without notice or without incurring obligations.

For assistance within the U.S.A. contact:  
Consumer Affairs Department  
Goodman Manufacturing Company, L.P.  
7401 Security Way  
Houston, Texas 77040  
877-254-4729-Telephone  
713-863-2382-Facsimile

For assistance outside the U.S.A. contact:  
International Division  
Goodman Manufacturing Company, L.P.  
7401 Security Way  
Houston, Texas 77040  
713-861-2500-Telephone  
713-863-2382-Facsimile

# Functional Parts

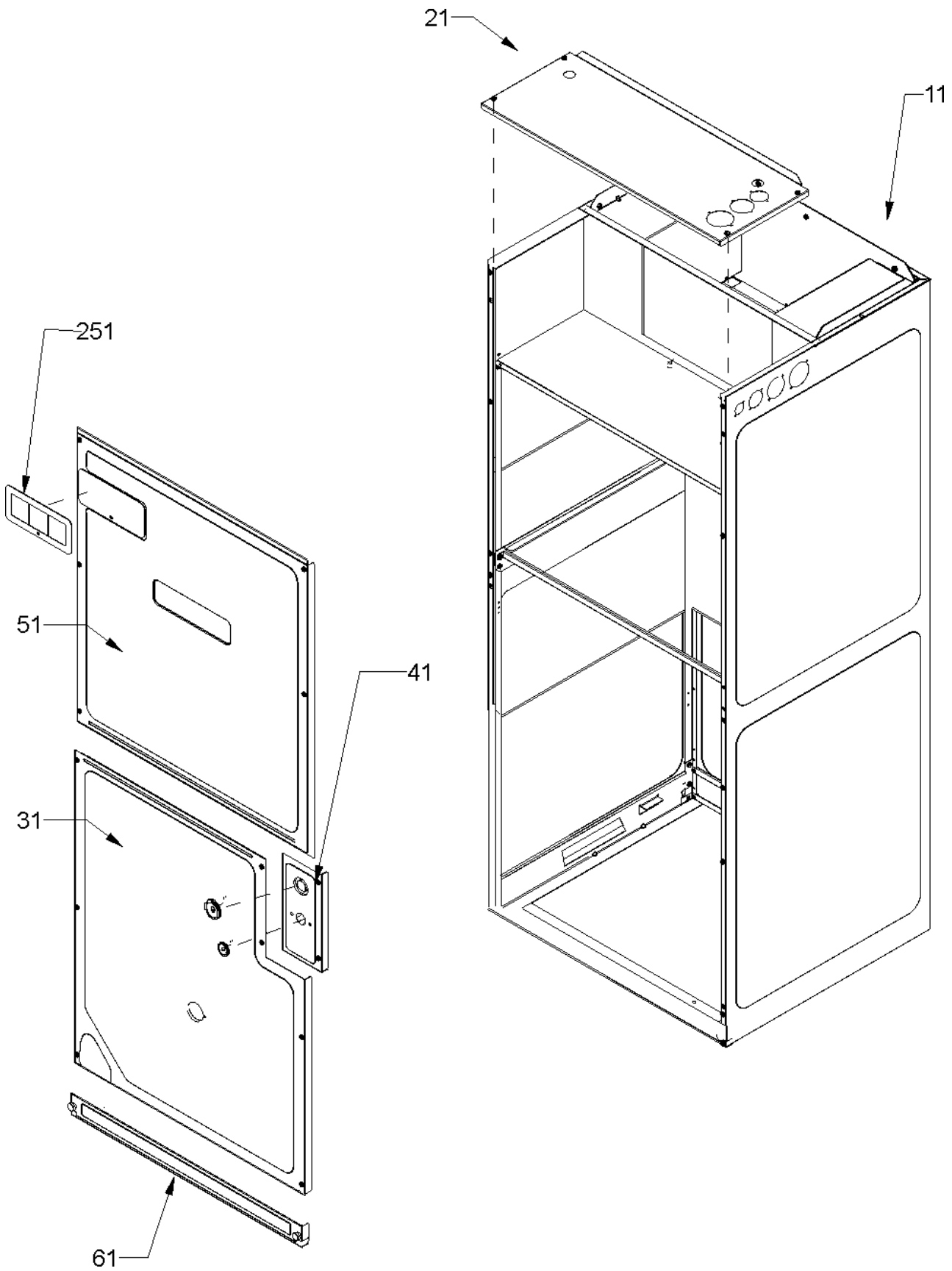
**Part No:**            **Description:**

D6723306	BLOWER WHEEL (M6, M7, M8, M9, M10, M11, M12, M13, M14, M15)
D6723311	BLOWER WHEEL (M16, M17, M18, M19)
BT1368008	BLOWER WHEEL 10 X 6 (M1)
B1368058	BLOWER WHEEL 10 X 8 (M4, M5)
B1368042	BLOWER WHEEL 9 X 6 (M2, M3)
0131M00272	MOTOR, 1 HP, SERIAL ECM (M16, M17, M18, M19)
0131M00270	MOTOR, 1/2 HP, SERIAL ECM (M1, M2, M3, M4, M5)
0131M00271	MOTOR, 3/4 HP, SERIAL ECM (M6, M7, M8, M9, M10, M11, M12, M13, M14, M15)
PCBJA103	PCB, CONTROL, AIR HANDLER
0130A00031	SHARED DATA, AIRHANDLER PCB (M6)
0130A00082	SHARED DATA, AIRHANDLER PCB (M18)
0130A00030	SHARED DATA, AIRHANDLER PCB (M4)
0130A00084	SHARED DATA, AIRHANDLER PCB (M5)
0130A00032	SHARED DATA, AIRHANDLER PCB (M8)
0130A00077	SHARED DATA, AIRHANDLER PCB (M7)
0130A00083	SHARED DATA, AIRHANDLER PCB (M3)
0130A00081	SHARED DATA, AIRHANDLER PCB (M19)
0130A00080	SHARED DATA, AIRHANDLER PCB (M15)
0130A00052	SHARED DATA, AIRHANDLER PCB (M11)
0130A00078	SHARED DATA, AIRHANDLER PCB (M10)
0130A00033	SHARED DATA, AIRHANDLER PCB (M13)
0130A00061	SHARED DATA, AIRHANDLER PCB (M2)
0130A00029	SHARED DATA, AIRHANDLER PCB (M1)
0130A00037	SHARED DATA, AIRHANDLER PCB (M17)
0130A00036	SHARED DATA, AIRHANDLER PCB (M14)
0130A00035	SHARED DATA, AIRHANDLER PCB (M9)
0130A00034	SHARED DATA, AIRHANDLER PCB (M16)
0130A00079	SHARED DATA, AIRHANDLER PCB (M12)
0130M00138	TRANSFORMER, 208/230, 24V
B1787000	VALVE CORE
0151R00053	VALVE, TXV R410A (M13, M14, M15, M16, M17, M18, M19)
0151R00051	VALVE, TXV R410A (M6, M7, M8, M9, M10, M11, M12)
0151R00049	VALVE, TXV R410A (M1, M2, M3, M4, M5)

Expanded Model Nomenclature

M1 - AVPTC24B14AA
M2 - AVPTC24B14AB
M3 - AVPTC24B14AC
M4 - AVPTC30C14AA
M5 - AVPTC30C14AB
M6 - AVPTC36C14AA
M7 - AVPTC36C14AB
M8 - AVPTC42D14AA
M9 - AVPTC42D14AB
M10 - AVPTC42D14AC
M11 - AVPTC48C14AA
M12 - AVPTC48C14AB
M13 - AVPTC48D14AA
M14 - AVPTC48D14AB
M15 - AVPTC48D14AC
M16 - AVPTC60D14AA
M17 - AVPTC60D14AB
M18 - AVPTC60D14AC
M19 - AVPTC60D14AD

# Cabinet Assy



# Cabinet Assy

Ref. Part No: No:	Description:	Ref. Part No: No:	Description:
<i>Image 1:</i>		Expanded Model Nomenclature	
11	0121A00276PDG WRAPPER, LARGE, PAINTED (M8, M9, M10, M13, M14, M15, M16, M17, M18, M19)	M1 - AVPTC24B14AA	
11	0121A00280PDG WRAPPER, MED, PAINTED (M4, M5, M6, M7, M11, M12)	M2 - AVPTC24B14AB	
11	0121A00281PDG WRAPPER, SM, PAINTED (M1, M2, M3)	M3 - AVPTC24B14AC	
21	0121A00373PDG Plate, Upper tie, Painted (M1, M2, M3)	M4 - AVPTC30C14AA	
21	0121A00374PDG Plate, Upper tie, Painted (M4, M5, M6, M7, M11, M12)	M5 - AVPTC30C14AB	
21	0121A00375PDG Plate, Upper tie, Painted (M8, M9, M10, M13, M14, M15, M16, M17, M18, M19)	M6 - AVPTC36C14AA	
31	0121A00248PDG Panel, Lower Access, Ptd (M1, M2, M3)	M7 - AVPTC36C14AB	
31	0121A00249PDG Panel, Lower Access, Ptd (M4, M5, M6, M7, M11, M12)	M8 - AVPTC42D14AA	
31	0121A00250PDG Panel, Lower Access, Ptd (M8, M9, M10, M13, M14, M15, M16, M17, M18, M19)	M9 - AVPTC42D14AB	
41	0121A00366PDG Panel, Refrigerant Tubing	M10 - AVPTC42D14AC	
51	0121A00387PDG Panel, Upper Access, Ptd (M1, M2, M3)	M11 - AVPTC48C14AA	
51	0121A00388PDG Panel, Upper Access, Ptd (M8, M9, M10, M13, M14, M15, M16, M17, M18, M19)	M12 - AVPTC48C14AB	
51	0121A00389PDG Panel, Upper Access, Ptd (M4, M5, M6, M7, M11, M12)	M13 - AVPTC48D14AA	
61	0121A00242PDG Panel, Filter Access, Ptd (M1, M2, M3)	M14 - AVPTC48D14AB	
61	0121A00243PDG Panel, Filter Access, Ptd (M4, M5, M6, M7, M11, M12)	M15 - AVPTC48D14AC	
61	0121A00244PDG Panel, Filter Access, Ptd (M8, M9, M10, M13, M14, M15, M16, M17, M18, M19)	M16 - AVPTC60D14AA	
251	0161A00034 PLASTIC BREAKER INSERT	M17 - AVPTC60D14AB	
NS	BT1369063 90 DEGREE STUB (M1, M2, M3, M4, M5, M6, M7, M8, M9, M10, M13, M14, M15, M16, M17, M18, M19)	M18 - AVPTC60D14AC	
NS	0164A00002 GROMMET	M19 - AVPTC60D14AD	
NS	B1392630 GROMMET		
NS	0163M00036 SCREW,#10X1/2,B,BZ,SLOT,SR,BLK		
NS	0163A00023 THUMB SCREW (QTY 2)		

# Control Panel / Coil Tubing

IMAGE 1

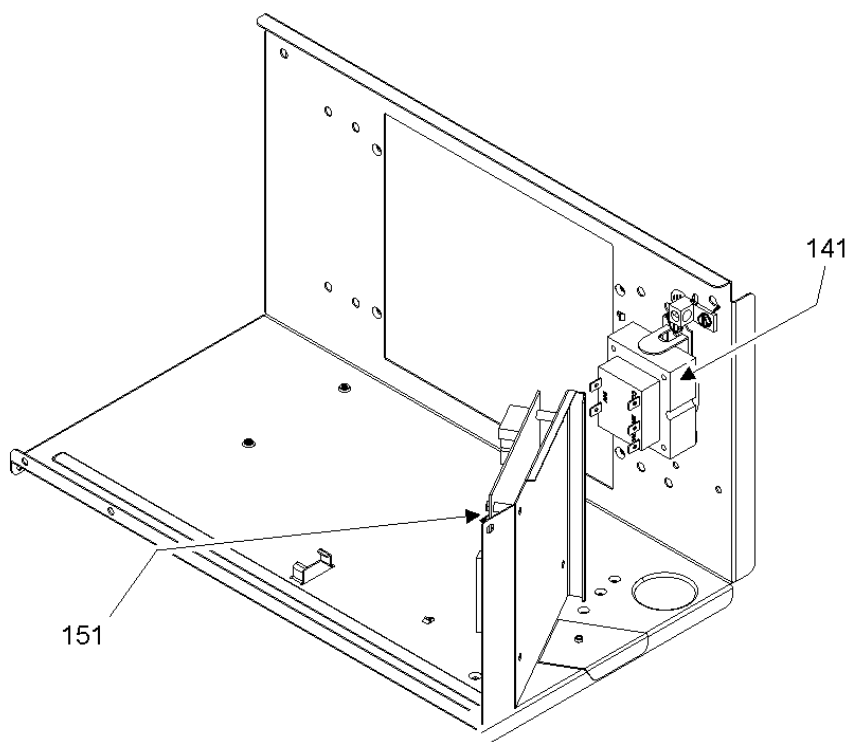
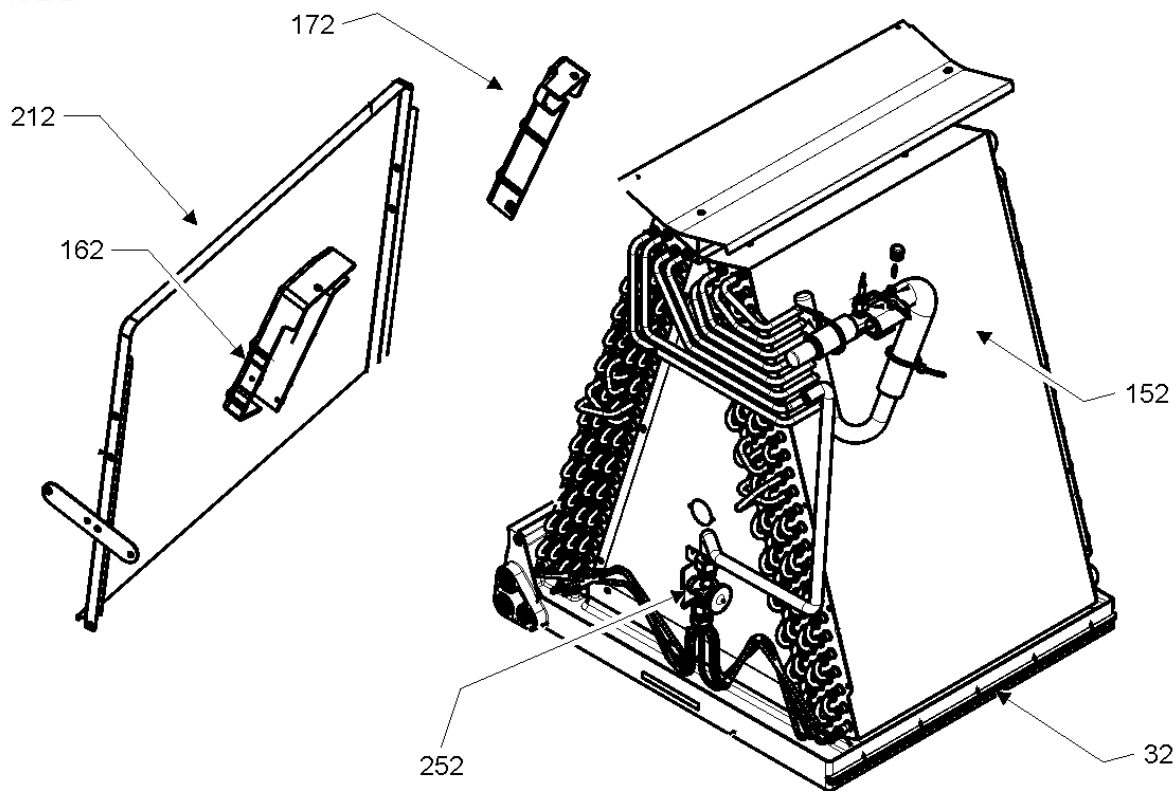


IMAGE 2



# Control Panel / Coil Tubing

**Ref. Part  
No: No:**

**Description:**

**Ref. Part  
No: No:**

**Description:**

*Image 1:*

141	0130M00138	TRANSFORMER, 208/230, 24V
151	PCBJA103	PCB, CONTROL, AIR HANDLER
NS	0130A00029	SHARED DATA, AIRHANDLER PCB (M1)
NS	0130A00030	SHARED DATA, AIRHANDLER PCB (M4)
NS	0130A00031	SHARED DATA, AIRHANDLER PCB (M6)
NS	0130A00032	SHARED DATA, AIRHANDLER PCB (M8)
NS	0130A00033	SHARED DATA, AIRHANDLER PCB (M13)
NS	0130A00034	SHARED DATA, AIRHANDLER PCB (M16)
NS	0130A00035	SHARED DATA, AIRHANDLER PCB (M9)
NS	0130A00036	SHARED DATA, AIRHANDLER PCB (M14)
NS	0130A00037	SHARED DATA, AIRHANDLER PCB (M17)
NS	0130A00052	SHARED DATA, AIRHANDLER PCB (M11)
NS	0130A00061	SHARED DATA, AIRHANDLER PCB (M2)
NS	0130A00077	SHARED DATA, AIRHANDLER PCB (M7)
NS	0130A00078	SHARED DATA, AIRHANDLER PCB (M10)
NS	0130A00079	SHARED DATA, AIRHANDLER PCB (M12)
NS	0130A00080	SHARED DATA, AIRHANDLER PCB (M15)
NS	0130A00081	SHARED DATA, AIRHANDLER PCB (M19)
NS	0130A00082	SHARED DATA, AIRHANDLER PCB (M18)
NS	0130A00083	SHARED DATA, AIRHANDLER PCB (M3)
NS	0130A00084	SHARED DATA, AIRHANDLER PCB (M5)
NS	0259A00012P	WIRE ASSY, 9 PIN FEMALE CONN.
NS	0259A00016	WIRE HARNESS

*Image 2:*

32	0161A00026	DRAIN PAN (M1, M2, M3)
32	0161A00027	DRAIN PAN (M4, M5, M6, M7, M11, M12)
32	0161A00028	DRAIN PAN (M8, M9, M10, M13, M14, M15, M16, M17, M18, M19)
152	0270A00720	COIL TUBING ASSY (M1, M2, M3)
152	0270A00721	COIL TUBING ASSY (M4, M5)
152	0270A00722	COIL TUBING ASSY (M6, M7)
152	0270A00723	COIL TUBING ASSY (M8, M9, M10)
152	0270A00724	COIL TUBING ASSY (M13, M14, M15, M16, M17, M18, M19)
<b>152</b>	<b>0270A00772</b>	<b>*COIL TUBING ASSY (M11, M12)</b>
162	0161A00047	Plastic Condensate Collector
172	0161A00048	Plastic Condensate Collector
212	0121A00304PDG	Drip Shield, Ptd (M1, M2, M3)
212	0121A00305PDG	Drip Shield, Ptd (M4, M5, M6, M7, M11, M12)
212	0121A00306PDG	Drip Shield, Ptd (M8, M9, M10, M13, M14, M15, M16, M17, M18, M19)
252	0151R00049	VALVE, TXV R410A (M1, M2, M3, M4, M5)
252	0151R00051	VALVE, TXV R410A (M6, M7, M8, M9, M10, M11, M12)
252	0151R00053	VALVE, TXV R410A (M13, M14, M15, M16, M17, M18, M19)
NS	0163M00175	CAP WITH O-RING
NS	0154A00003BL	Gasket, Drain Pan
NS	B1787000	VALVE CORE

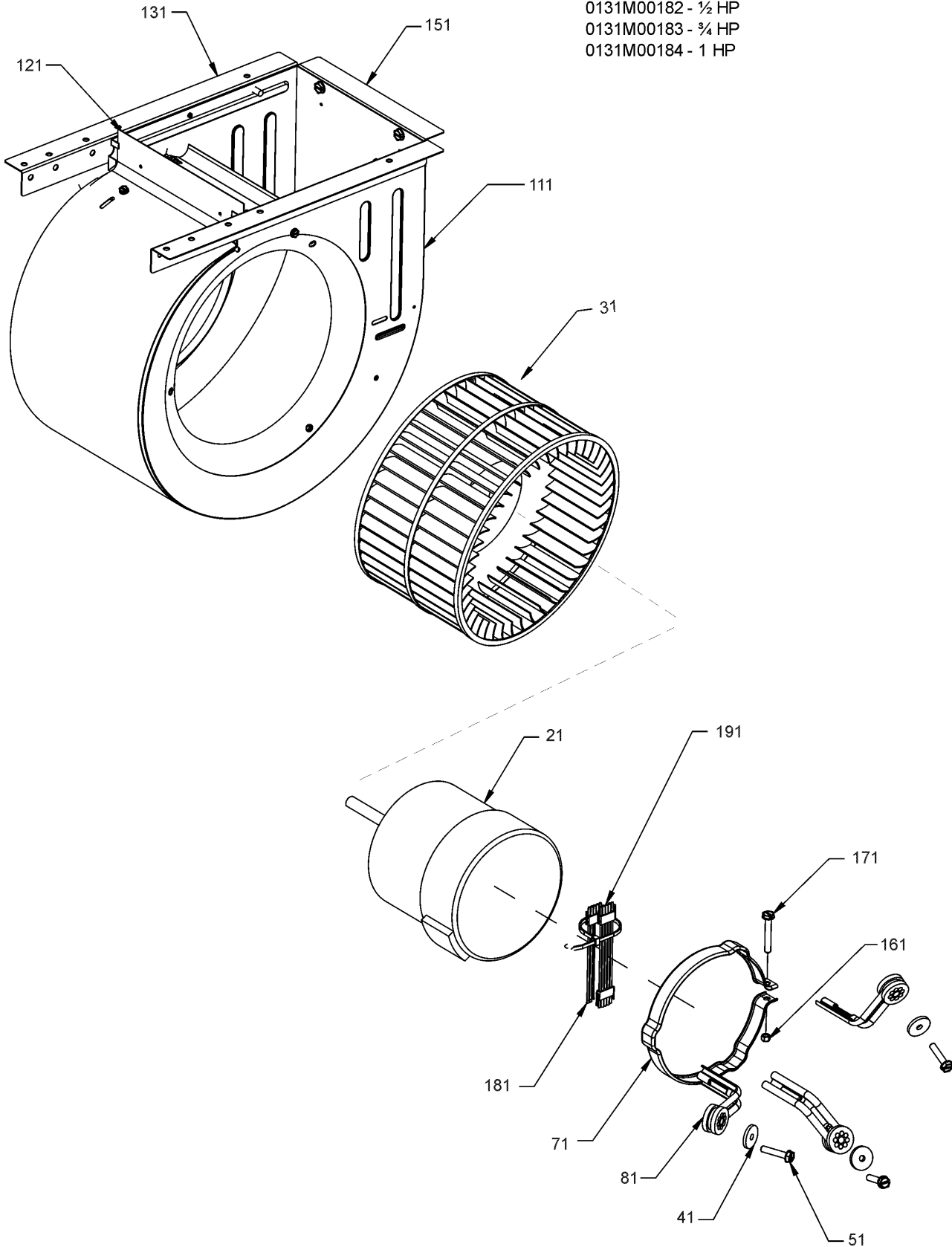
Expanded Model Nomenclature

M1 - AVPTC24B14AA
M2 - AVPTC24B14AB
M3 - AVPTC24B14AC
M4 - AVPTC30C14AA
M5 - AVPTC30C14AB
M6 - AVPTC36C14AA
M7 - AVPTC36C14AB
M8 - AVPTC42D14AA
M9 - AVPTC42D14AB
M10 - AVPTC42D14AC
M11 - AVPTC48C14AA
M12 - AVPTC48C14AB
M13 - AVPTC48D14AA
M14 - AVPTC48D14AB
M15 - AVPTC48D14AC
M16 - AVPTC60D14AA
M17 - AVPTC60D14AB
M18 - AVPTC60D14AC
M19 - AVPTC60D14AD

When replacing the coil for AVPTC48C14 AA/AB, the following parts are needed: 0121A00619PDGS, 0121A00661PDGS, 0121A00061, 0121A00060, 0121A00055 and 0121A00056

# Blower Components

\*If end bells are needed please order the following:  
0131M00182 - 1/2 HP  
0131M00183 - 3/4 HP  
0131M00184 - 1 HP



# Blower Components

Ref. Part No:	No:	Description:	Ref. Part No:	No:	Description:
<i>Image 1:</i>			Expanded Model Nomenclature		
21	0131M00272	MOTOR, 1 HP, SERIAL ECM (M16, M17, M18, M19)	M1	-	AVPTC24B14AA
21	0131M00270	MOTOR, 1/2 HP, SERIAL ECM (M1, M2, M3, M4, M5)	M2	-	AVPTC24B14AB
21	0131M00271	MOTOR, 3/4 HP, SERIAL ECM (M6, M7, M8, M9, M10, M11, M12, M13, M14, M15)	M3	-	AVPTC24B14AC
31	D6723306	BLOWER WHEEL (M6, M7, M8, M9, M10, M11, M12, M13, M14, M15)	M4	-	AVPTC30C14AA
31	D6723311	BLOWER WHEEL (M16, M17, M18, M19)	M5	-	AVPTC30C14AB
31	BT1368008	BLOWER WHEEL 10 X 6 (M1)	M6	-	AVPTC36C14AA
31	B1368058	BLOWER WHEEL 10 X 8 (M4, M5)	M7	-	AVPTC36C14AB
31	B1368042	BLOWER WHEEL 9 X 6 (M2, M3)	M8	-	AVPTC42D14AA
41	B1392918	WASHER, FLAT 1/4 ID X 1 OD (QTY 3)	M9	-	AVPTC42D14AB
51	M0250565	TC SCREW 1.25" (QTY 3)	M10	-	AVPTC42D14AC
71	0121M00038	MOTOR MOUNT BAND (M1, M2, M3, M4, M5)	M11	-	AVPTC48C14AA
71	0121M00039	MOTOR MOUNT BAND (HEAVY DUTY) (M6, M7, M8, M9, M10, M11, M12, M13, M14, M15, M16, M17, M18, M19)	M12	-	AVPTC48C14AB
81	B1376853	MOTOR MOUNT ARM (M1, M4, M5)	M13	-	AVPTC48D14AA
81	B1376861	MOTOR MOUNT ARM (M2, M3)	M14	-	AVPTC48D14AB
81	B1376863	MOTOR MOUNT ARM (HEAVY DUTY) (M6, M7, M8, M9, M10, M11, M12, M13, M14, M15, M16, M17, M18, M19)	M15	-	AVPTC48D14AC
111	0271A00150	BLOWER HOUSING (M1)	M16	-	AVPTC60D14AA
111	0271A00029	BLOWER HOUSING ASSY 10 X 8 (M4, M5)	M17	-	AVPTC60D14AB
111	0271A00016	BLOWER SHELL (M6, M7, M8, M9, M10, M11, M12, M13, M14, M15)	M18	-	AVPTC60D14AC
111	0271A00013	BLOWER SHELL (11 X 10) (M16, M17, M18, M19)	M19	-	AVPTC60D14AD
111	1439389	BLOWER SHELL ASM F/ 9X6 WHL (M2, M3)			
121	1864700F	BELT DRIVE BLOWER CUT-OFF (M16, M17, M18, M19)			
121	764741F	BLOWER BLOCK-OFF 10 X 10 (M6, M7, M8, M9, M10, M11, M12, M13, M14, M15)			
121	764740	BLOWER BLOCK-OFF, 10X8 (M4, M5)			
121	3739000	BLOWER CUT-OFF 6" (M1)			
121	764733F	BLOWER CUT-OFF 9 X 6 (M2, M3)			
131	0121A00275	Rail, Blower (M16, M17, M18, M19)			
131	0121A00336	Rail, Blower (M1, M2, M3)			
151	0121A00337	Angle, Blower Mounting (M1, M2, M3)			
151	0121A00353	Angle, Blower Mounting (M16, M17, M18, M19)			
161	B1393800	LOCKNUT, NYLON, INSERT 1/4, 20			
171	B1393323	MACHINE SCREW HWH 1/4-20 X 1-1/2 BZ			
181	0259A00020	HIGH VOLTAGE WIRE HARNESS			
191	0259A00019	WIRE HARNESS			

\*If end bells are needed please order the following:  
 0131M00182 - 1/2 HP  
 0131M00183 - 3/4 HP  
 0131M00184 - 1 HP