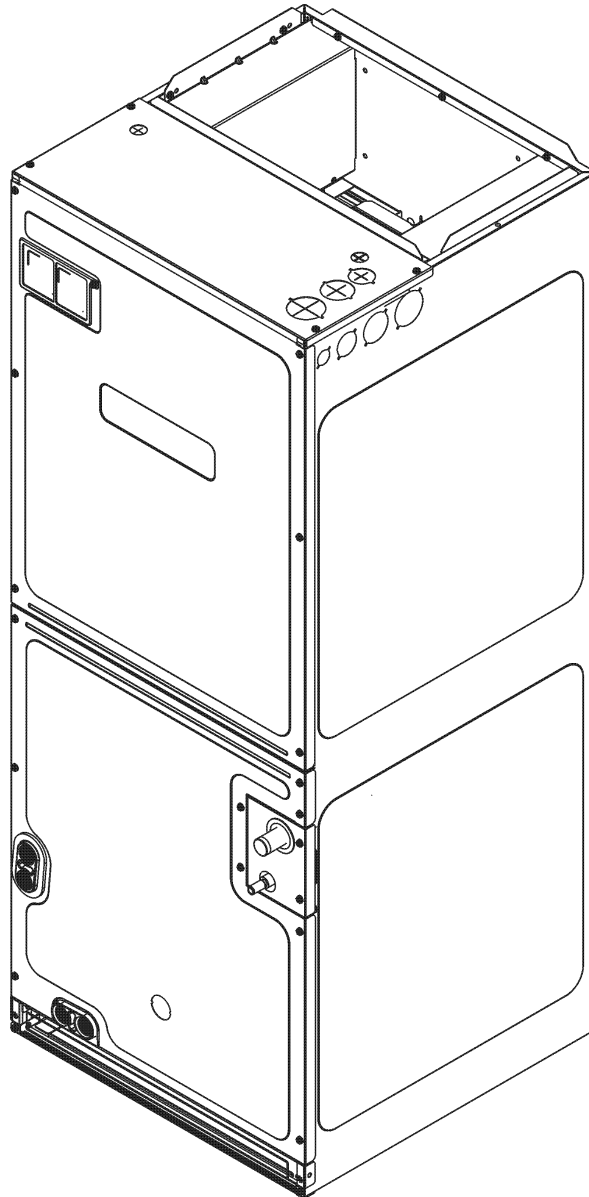


AVPTC Air Handler

AVPTC31C14AB
AVPTC31C14AD
AVPTC33C14AA
AVPTC35B14AA
AVPTC35B14AB
AVPTC37C14AB
AVPTC37D14AB
AVPTC39C14AA
AVPTC39C14AB
AVPTC49C14AA
AVPTC49C14AB
AVPTC59C14AB
AVPTC59D14AB
AVPTC61D14AB



Amana® is a registered trademark of Maytag Corporation or its related companies and is used under license. All rights reserved.

This manual is to be used by qualified technicians only.

This manual replaces RP-A4302B.

© 2017 - 2018 Goodman Manufacturing Company, L.P. ♦ 5151 San Felipe St, Suite 500 ♦ Houston, TX 77056

Important Information

Index

Functional Parts List	3
Illustration and Parts	4 - 9

Views shown are for parts illustrations only, not servicing procedures.

Text Codes:

AR - As Required

NA - Not Available

NS - Not Shown

00000000 - See Note

QTY - Quantity Example (QTY 3) (If Quantity not shown, Quantity = 1)

M - Model Example (M1) (If M Code not shown, then part is used on all Models)

Expanded Model Nomenclature:

Example
M1 - Model#1
M2 - Model#2
M3 - Model#3

Goodman Manufacturing Company, L.P. is not responsible for personal injury or property damage resulting from improper service. Review all service information before beginning repairs.

Warranty service must be performed by an authorized technician, using authorized factory parts. If service is required after the warranty expires, Goodman Manufacturing Company, L.P. also recommends contacting an authorized technician and using authorized factory parts.

Goodman Manufacturing Company, L.P. reserves the right to discontinue, or change at any time, specifications or designs without notice or without incurring obligations.

For assistance within the U.S.A. contact:
Homeowner Support
Goodman Manufacturing Company, L.P.
19001 Kermier Road
Waller, Texas 77484
877-254-4729-Telephone
713-863-2382-Facsimile

For assistance outside the U.S.A. contact:
International Division
Goodman Manufacturing Company, L.P.
19001 Kermier Road
Waller, Texas 77484
713-861-2500-Telephone
713-863-2382-Facsimile

Functional Parts

Part

No: Description:

0131M00272	MOTOR, 1 HP, SERIAL ECM (M12, M13, M14)
0131M00270	MOTOR, 1/2 HP, SERIAL ECM (M3, M4, M5)
0131M00271	MOTOR, 3/4 HP, SERIAL ECM (M1, M2, M6, M7, M8, M9, M10, M11)
0130A00123	PCB SHARED DATA (M3)
0130A00136	PCB SHARED DATA (M8)
0130A00137	PCB SHARED DATA (M10)
0130A00154	PCB SHARED DATA (M4)
0130A00156	PCB SHARED DATA (M5)
PCBJA104	PCB, CONTROL, AIR HANDLER
0130M00370	SHARED DATA (M13)
0130M00361	SHARED DATA (M1)
0130M00364	SHARED DATA (M6)
0130M00365	SHARED DATA (M7)
0130M00366	SHARED DATA (M9)
0130M00369	SHARED DATA (M12)
0130M00371	SHARED DATA (M14)
0130M00486	SHARED DATA (M2)
0130M00367	SHARED DATA (M11)
0130M00138	TRANSFORMER 208/230, 24V
0151R00130	VALVE, TXV R-410A (M1, M2)
0151R00131	VALVE, TXV R-410A (M6, M7)
0151R00133	VALVE, TXV R-410A (M12, M13, M14)
0151M00065	VALVE, TXV R-410A BOOSTER CHG (M3)
0151M00066	VALVE, TXV R-410A BOOSTER CHG (M4, M5, M8, M9)
0151M00067	VALVE, TXV R-410A BOOSTER CHG (M10, M11)

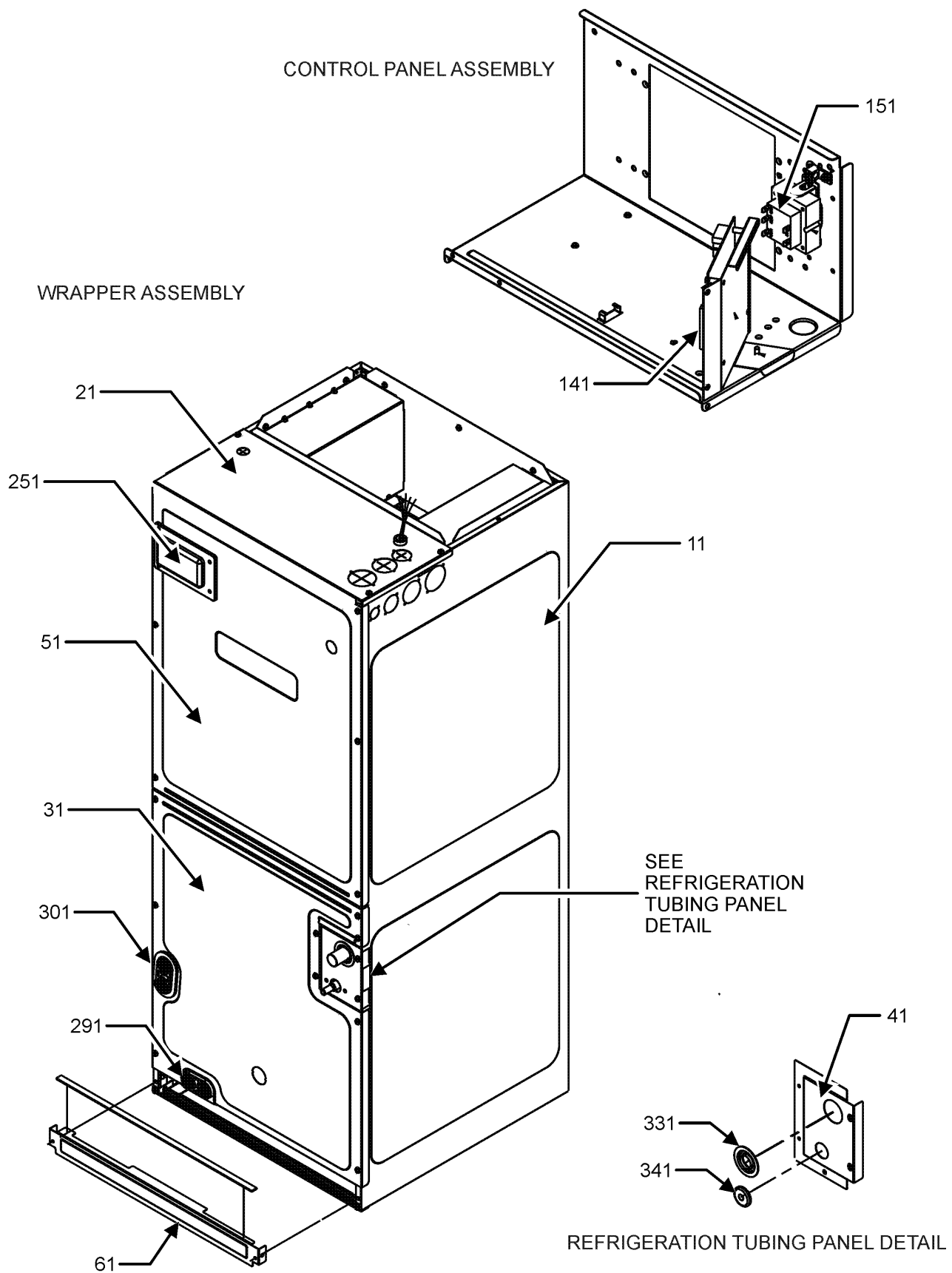
SPECIAL PARTS

PKCG-4001R PISTON KIT CHART

Expanded Model Nomenclature

M1 - AVPTC31C14AB
M2 - AVPTC31C14AD
M3 - AVPTC33C14AA
M4 - AVPTC35B14AA
M5 - AVPTC35B14AB
M6 - AVPTC37C14AB
M7 - AVPTC37D14AB
M8 - AVPTC39C14AA
M9 - AVPTC39C14AB
M10 - AVPTC49C14AA
M11 - AVPTC49C14AB
M12 - AVPTC59C14AB
M13 - AVPTC59D14AB
M14 - AVPTC61D14AB

Cabinet and Control Box Assembly

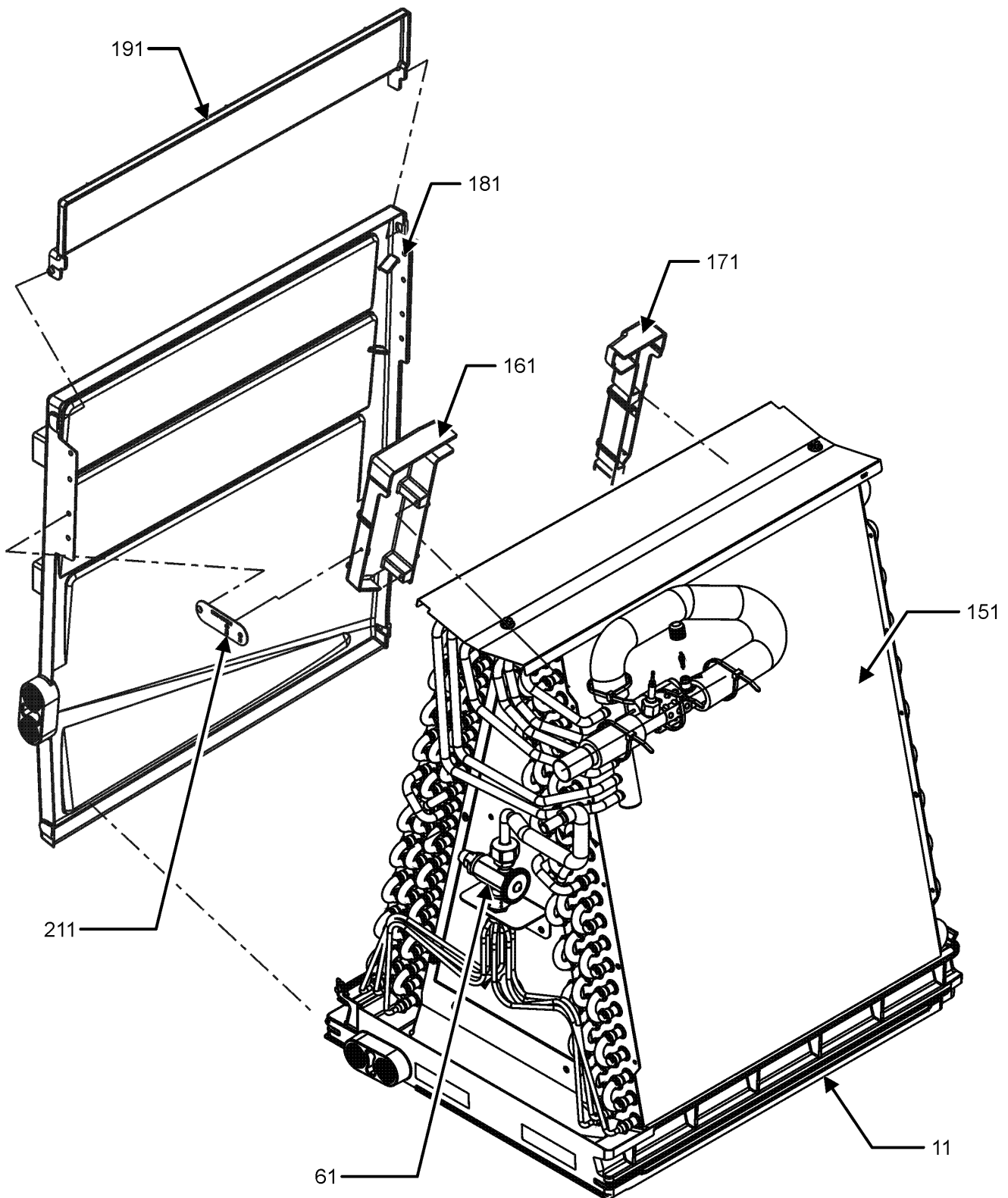


Cabinet and Control Box Assembly

Ref. Part No: No:	Description:	Ref. Part No: No:	Description:
Image 1:		Expanded Model Nomenclature	
11	0121A00455PDG WRAPPER (M7, M13)	M1	AVPTC31C14AB
11	0121A00456PDG WRAPPER (M1, M2, M6, M12)	M2	AVPTC31C14AD
11	0121A00276PDG WRAPPER, LARGE, PAINTED (M14)	M3	AVPTC33C14AA
11	0121A00280PDG WRAPPER, MED, PAINTED (M3, M8, M9, M10, M11)	M4	AVPTC35B14AA
11	0121A00281PDG WRAPPER, SM, PAINTED (M4, M5)	M5	AVPTC35B14AB
21	0121A00373PDG Plate, Upper tie, Painted (M4, M5)	M6	AVPTC37C14AB
21	0121A00374PDG Plate, Upper tie, Painted (M1, M2, M3, M6, M8, M9, M10, M11, M12)	M7	AVPTC37D14AB
21	0121A00375PDG Plate, Upper tie, Painted (M7, M13, M14)	M8	AVPTC39C14AA
31	0121A00460PDG LOWER ACCESS PANEL (M7, M13)	M9	AVPTC39C14AB
31	0121A00461PDG LOWER ACCESS PANEL (M1, M2, M6, M12)	M10	AVPTC49C14AA
31	0121A00618PDG LOWER ACCESS PANEL (M14)	M11	AVPTC49C14AB
31	0121A00620PDG LOWER ACCESS PANEL (M4, M5)	M12	AVPTC59C14AB
31	0121A00619PDG LOWER ACCESS PANEL, PAINTED (M3, M8, M9, M10, M11)	M13	AVPTC59D14AB
41	0121A00658PDG Panel, Refrigerant Tubing	M14	AVPTC61D14AB
51	0121A00838PDG PANEL, UPPER ACCESS (M4, M5)		
51	0121A00836PDG PANEL, UPPER ACCESS (M7, M13, M14)		
51	0121A00837PDG PANEL, UPPER ACCESS (M1, M2, M3, M6, M8, M9, M10, M11, M12)		
61	0121A00242PDG Panel, Filter Access, Ptd (M4, M5)		
61	0121A00243PDG Panel, Filter Access, Ptd (M1, M2, M3, M6, M8, M9, M10, M11, M12)		
61	0121A00244PDG Panel, Filter Access, Ptd (M7, M13, M14)		
141	PCBJA104 PCB, CONTROL, AIR HANDLER		
151	0130M00138 TRANSFORMER 208/230, 24V		
251	0161A00073 CIRCUIT BREAKER COVER		
291	0154A00006BL GASKET, DRAIN PAN		
301	0154A00007BL GASKET, DRAIN PAN		
331	B1392630 GROMMET (M1, M2, M3, M6, M7, M8, M9, M10, M11, M12, M13, M14)		
331	M0501301 PIPE GROMMET (M4, M5)		
341	0164A00002 GROMMET		
NS	0130A00123 PCB SHARED DATA (M3)		
NS	0130A00136 PCB SHARED DATA (M8)		
NS	0130A00137 PCB SHARED DATA (M10)		
NS	0130A00154 PCB SHARED DATA (M4)		
NS	0130A00156 PCB SHARED DATA (M5)		
NS	0163M00036 SCREW,#10X1/2,B,BZ,SLOT,SR,BLK (QTY 4)		
NS	0130M00361 SHARED DATA (M1)		
NS	0130M00364 SHARED DATA (M6)		
NS	0130M00365 SHARED DATA (M7)		
NS	0130M00366 SHARED DATA (M9)		
NS	0130M00367 SHARED DATA (M11)		
NS	0130M00369 SHARED DATA (M12)		
NS	0130M00370 SHARED DATA (M13)		
NS	0130M00371 SHARED DATA (M14)		
NS	0130M00486 SHARED DATA (M2)		
NS	0163A00026 THUMB SCREW (QTY 2)		
NS	BT1392909 WASHER; SS RETAINING (QTY 2)		
NS	0259A00012P WIRE ASSY, 9 PIN FEMALE CONN		
NS	0259A00016 WIRE HARNESS		

Coil Assembly

COIL ASSEMBLY



COIL ASSEMBLY MAY DIFFER FROM WHAT IS SHOWN

Coil Assembly

Ref. Part No:	Ref. Part No:	Description:	Description:
Image 1:			
11	0161A00049	DRAINPAN, VERTICAL (M4, M5)	
11	0161A00051	DRAINPAN, VERTICAL (M7, M13, M14)	
11	0161A00052	DRAINPAN, VERTICAL (M1, M2, M3, M6, M8, M9, M10, M11, M12)	
61	0151R00130	VALVE, TXV R-410A (M1, M2)	
61	0151R00131	VALVE, TXV R-410A (M6, M7)	
61	0151R00133	VALVE, TXV R-410A (M12, M13, M14)	
61	0151M00065	VALVE, TXV R-410A BOOSTER CHG (M3)	
61	0151M00066	VALVE, TXV R-410A BOOSTER CHG (M4, M5, M8, M9)	
61	0151M00067	VALVE, TXV R-410A BOOSTER CHG (M10, M11)	
151	0270A00855	COIL TUBING ASSEMBLY (M6)	
151	0270A00857	COIL TUBING ASSEMBLY (M7)	
151	0270A00906	COIL TUBING ASSEMBLY (M8, M9)	
151	0270A01032	COIL TUBING ASSEMBLY (M12)	
151	0270A01034	COIL TUBING ASSEMBLY (M14)	
151	0270A01081	COIL TUBING ASSEMBLY (M1, M2)	
151	0270A01085	COIL TUBING ASSEMBLY (M13)	
151	0270A01097	COIL TUBING ASSEMBLY (M10, M11)	
151	0270A01194	COIL TUBING ASSEMBLY (M3)	
151	0270A01331	COIL TUBING ASSEMBLY (M4, M5)	
161	0161A00060	CONDENSATE, COLLECT, FRONT	
171	0161A00061	CONDENSATE, COLLECT, BACK	
181	0161A00055	DRAIN PAN HORIZONTAL, SMALL (M3, M4, M5, M8, M9, M10, M11)	
181	0161A00053	DRAIN PAN HORIZONTAL, TALL (M1, M2, M6, M7, M12, M13, M14)	
191	0161A00054	DRAIN PAN, EXTENSION, SMALL (M1, M2, M4, M5, M6, M7, M12, M13)	
191	0161A00056	DRAIN PAN, EXTENSION, TALL (M3, M8, M9, M10, M11, M14)	
211	0121A00633	BRACKET, DRIP SHIELD (M1, M2, M4, M5, M6, M10, M11, M12)	
211	0121A00634	BRACKET, DRIP SHIELD (M3, M7, M8, M9, M13, M14)	
NS	BT1369063	90 DEGREE STUB	
NS	0163M00175	CAP WITH O-RING	
NS	PKCG-4001R	PISTON KIT CHART	
NS	B1787000	VALVE CORE	

Expanded Model Nomenclature

M1 - AVPTC31C14AB
M2 - AVPTC31C14AD
M3 - AVPTC33C14AA
M4 - AVPTC35B14AA
M5 - AVPTC35B14AB
M6 - AVPTC37C14AB
M7 - AVPTC37D14AB
M8 - AVPTC39C14AA
M9 - AVPTC39C14AB
M10 - AVPTC49C14AA
M11 - AVPTC49C14AB
M12 - AVPTC59C14AB
M13 - AVPTC59D14AB
M14 - AVPTC61D14AB

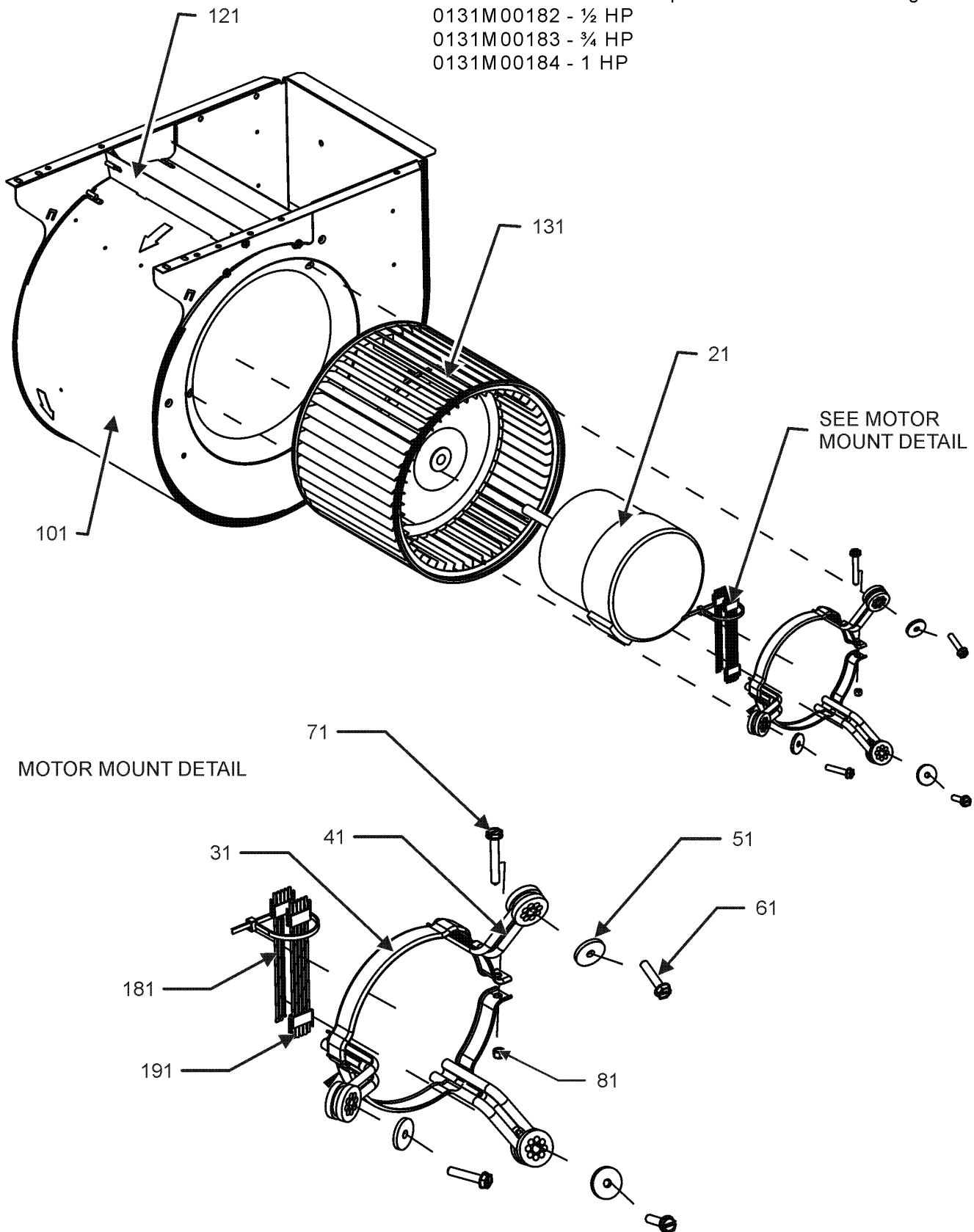
Blower Assembly

*If end bells are needed please order the following:

0131M00182 - 1/2 HP

0131M00183 - 3/4 HP

0131M00184 - 1 HP



Blower Assembly

Ref. Part No:	No:	Description:	Ref. Part No:	No:	Description:
Image 1:					
21	0131M00272	MOTOR, 1 HP, SERIAL ECM (M12, M13, M14)			
21	0131M00270	MOTOR, 1/2 HP, SERIAL ECM (M3, M4, M5)			
21	0131M00271	MOTOR, 3/4 HP, SERIAL ECM (M1, M2, M6, M7, M8, M9, M10, M11)			
31	0121M00038	MOTOR MOUNT BAND (M1, M2, M3, M4, M5, M6, M8, M9, M10, M11)			
31	0121M00039	MOTOR MOUNT BAND (HEAVY DUTY) (M7, M12, M13, M14)			
41	B1376853	MOTOR MOUNT ARM (M1, M2, M3, M6, M8, M9, M10, M11)			
41	B1376861	MOTOR MOUNT ARM (M4, M5)			
41	B1376863	MOTOR MOUNT ARM (HEAVY DUTY) (M7, M12, M13, M14)			
51	B1392918	WASHER, FLAT 1/4 ID X 1 OD (QTY 3)			
61	M0250565	TC SCREW 1.25" (QTY 3)			
71	0163M00320	HEX HED ALL THREAD TAP BOLT			
81	B1393800	LOCKNUT, NYLON, INSERT 1/4, 20			
101	0271A00029	BLOWER HOUSING ASSY 10 X 8 (M1, M2, M3, M6, M8, M9, M10, M11, M12)			
101	0271A00206	BLOWER SHELL ASSY (M13, M14)			
101	0271A00299	BLOWER SHELL ASSY 9X6, MORRISON (M4, M5)			
121	764741	BLOWER BLOCK-OFF 10 X 10 (M7)			
121	764740	BLOWER BLOCK-OFF 10 X 8 (M1, M2, M3, M6, M8, M9, M10, M11, M12)			
131	D6723306	BLOWER WHEEL (M7)			
131	B1368016	BLOWER WHEEL 10 X 8 (M12)			
131	B1368058	BLOWER WHEEL 10 X 8 (M1, M2, M3, M6, M8, M9, M10, M11)			
181	0259A00020	HIGH VOLTAGE WIRE HARNESS			
191	0259A00019	WIRE HARNESS (M1, M2, M4, M5, M6, M8, M9, M10, M11, M12)			
191	0259M00008	WIRE HARNESS (M3, M7, M13, M14)			

Expanded Model Nomenclature

M1 - AVPTC31C14AB
M2 - AVPTC31C14AD
M3 - AVPTC33C14AA
M4 - AVPTC35B14AA
M5 - AVPTC35B14AB
M6 - AVPTC37C14AB
M7 - AVPTC37D14AB
M8 - AVPTC39C14AA
M9 - AVPTC39C14AB
M10 - AVPTC49C14AA
M11 - AVPTC49C14AB
M12 - AVPTC59C14AB
M13 - AVPTC59D14AB
M14 - AVPTC61D14AB