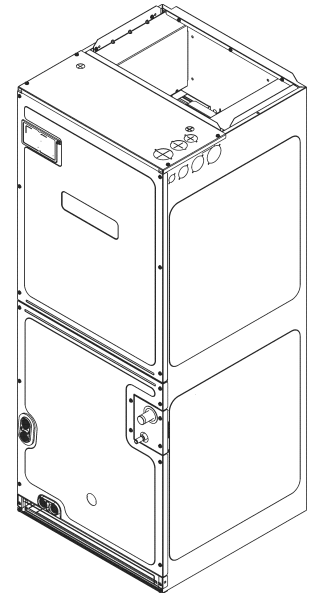


AVPEC EEV Air Handler

AVPEC25B14AD
AVPEC37C14AD
AVPEC37C14AE
AVPEC59D14AD
AVPEC59D14AE
AVPEC59D14AF
AVPEC61D14AD
AVPEC61D14AE
AVPEC61D14AF



Amana® is a registered trademark of Maytag Corporation or its related companies and is used under license. All rights reserved.

This manual is to be used by qualified technicians only.

This manual replaces RP-A4328A

© 2019 - 2020, 2022 Goodman Company, L.P. ♦ 5151 San Felipe St, Suite 500 ♦ Houston, TX 77056

Important Information

Index

| | |
|------------------------------|-------|
| Functional Parts List | 3 |
| Illustration and Parts | 4 - 9 |

Views shown are for parts illustrations only, not servicing procedures.

Text Codes:

AR - As Required

NA - Not Available

NS - Not Shown

00000000 - See Note

QTY - Quantity Example (QTY 3) (If Quantity not shown, Quantity = 1)

M - Model Example (M1) (If M Code not shown, then part is used on all Models)

Expanded Model Nomenclature:

| |
|--------------|
| Example |
| M1 - Model#1 |
| M2 - Model#2 |
| M3 - Model#3 |

Goodman Company, L.P. is not responsible for personal injury or property damage resulting from improper service. Review all service information before beginning repairs.

Warranty service must be performed by an authorized technician, using authorized factory parts. If service is required after the warranty expires, Goodman Company, L.P. also recommends contacting an authorized technician and using authorized factory parts.

Goodman Company, L.P. reserves the right to discontinue, or change at any time, specifications or designs without notice or without incurring obligations.

For assistance within the U.S.A. contact:

Homeowner Support
Goodman Company, L.P.
19001 Kermier Road
Waller, Texas 77484
877-254-4729-Telephone
713-863-2382-Facsimile

For assistance outside the U.S.A. contact:

International Division
Goodman Company, L.P.
19001 Kermier Road
Waller, Texas 77484
713-861-2500-Telephone
713-863-2382-Facsimile

Functional Parts

Part

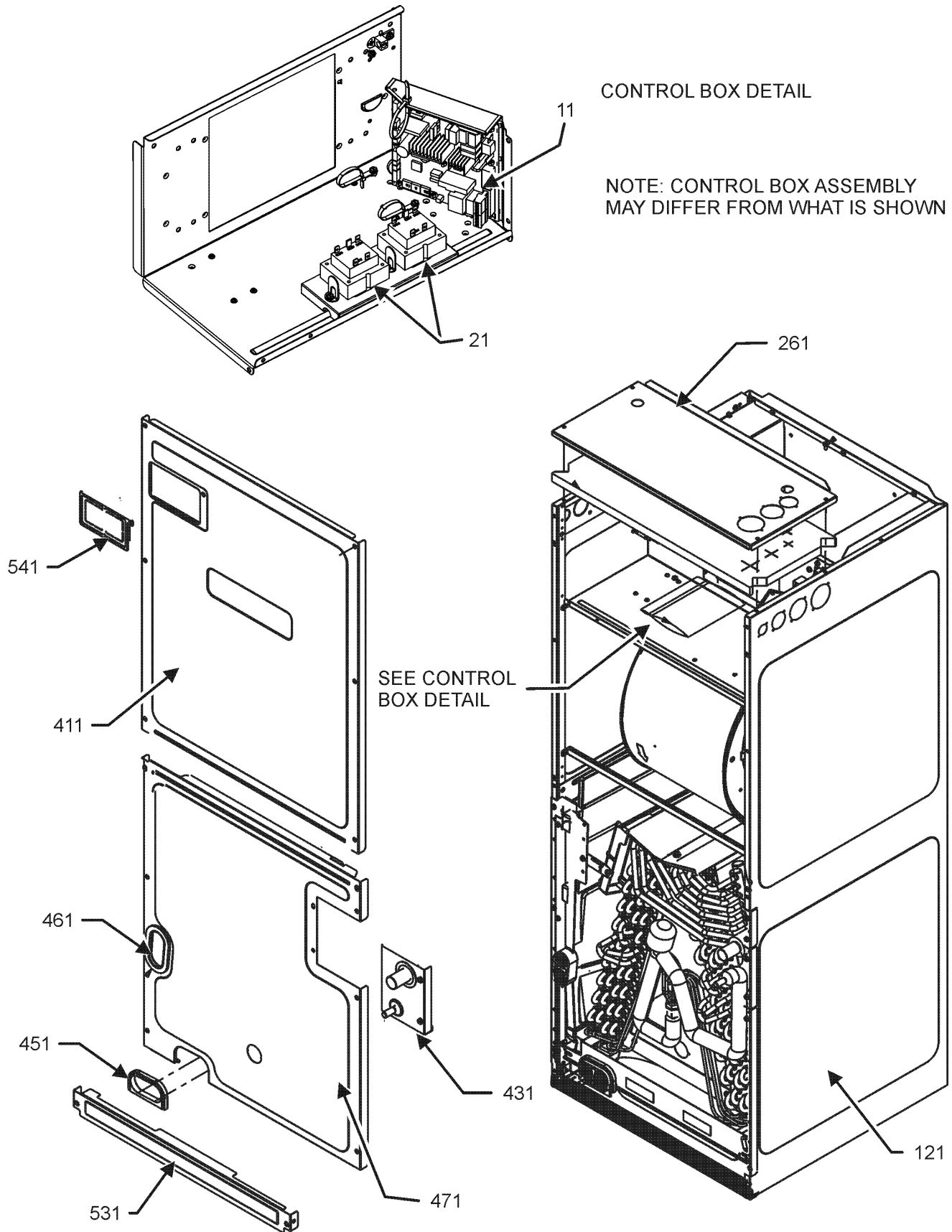
No: **Description:**

| | |
|-------------|--|
| SHARED DATA | Available thru CoolCloud HVAC app |
| 3P381420-2 | EEV COIL |
| 0131M01011 | MOTOR, 1 HP (M6, M9) |
| 0131M00272 | MOTOR, 1 HP, SERIAL ECM (M4, M5, M7, M8) |
| 0131M00270 | MOTOR, 1/2 HP, SERIAL ECM (M1) |
| 0131M00271 | MOTOR, 3/4 HP, SERIAL ECM (M2, M3) |
| 2P561240-1 | PCB FAN ASSY (M1, M3, M5, M6, M8, M9) |
| 2P383866-1 | PCB FAN ASSY (M2, M4, M7) |
| 3S481012-1 | PRESSURE SENSOR |
| 3S500031-1 | PULSE MOTOR EXPANS EEV |
| 4P389796-1 | THERMISTOR ASSY |
| 0130M00138 | TRANSFORMER, 208/230, 24V (QTY 2) |

Expanded Model Nomenclature

| |
|-------------------|
| M1 - AVPEC25B14AD |
| M2 - AVPEC37C14AD |
| M3 - AVPEC37C14AE |
| M4 - AVPEC59D14AD |
| M5 - AVPEC59D14AE |
| M6 - AVPEC59D14AF |
| M7 - AVPEC61D14AD |
| M8 - AVPEC61D14AE |
| M9 - AVPEC61D14AF |

Control Panel and Wrapper Assembly



Control Panel and Wrapper Assembly

| Ref. Part No: | Part No: | Description: | Ref. Part No: | Part No: | Description: |
|---------------|----------|--------------|---------------|----------|--------------|
|---------------|----------|--------------|---------------|----------|--------------|

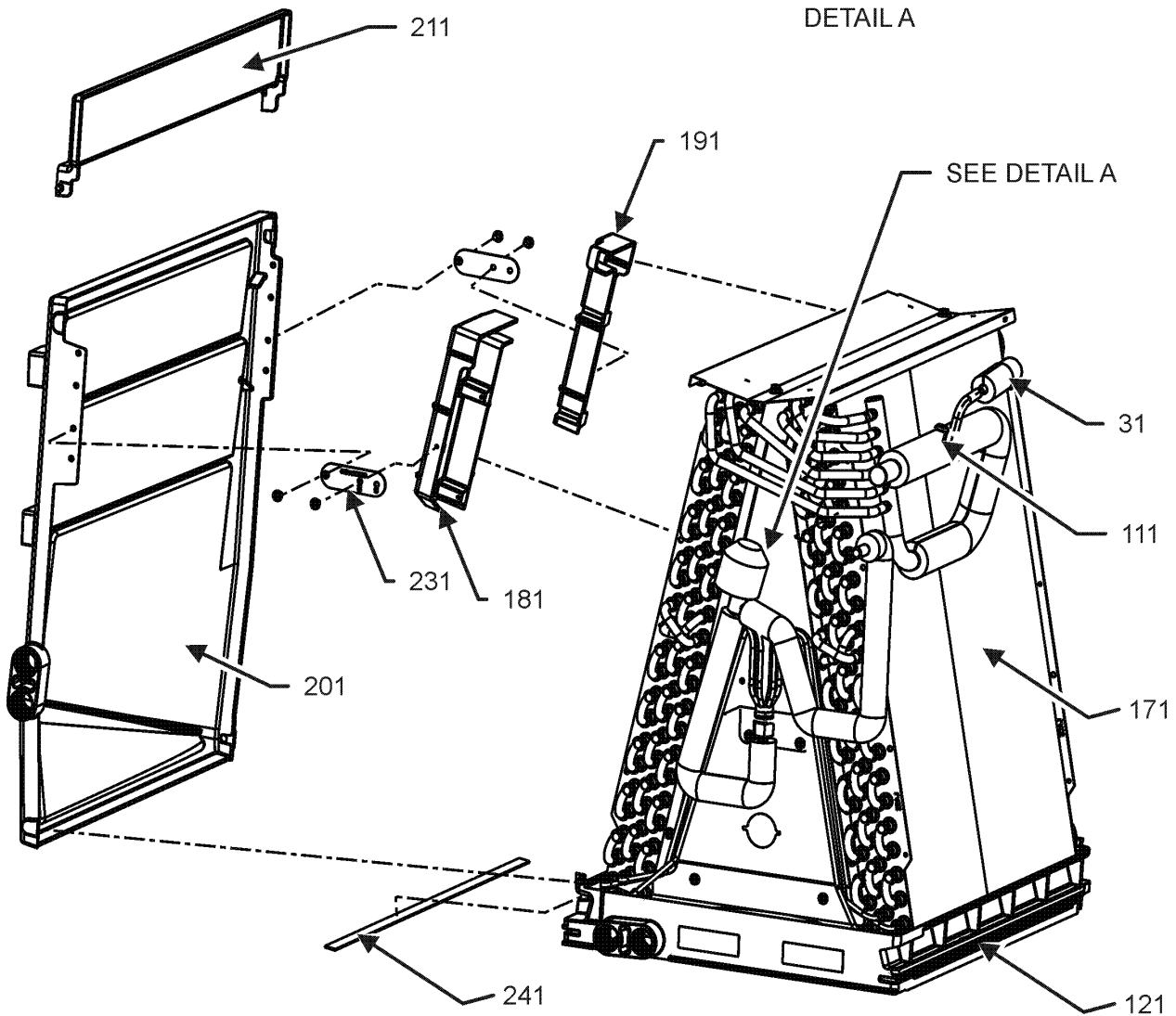
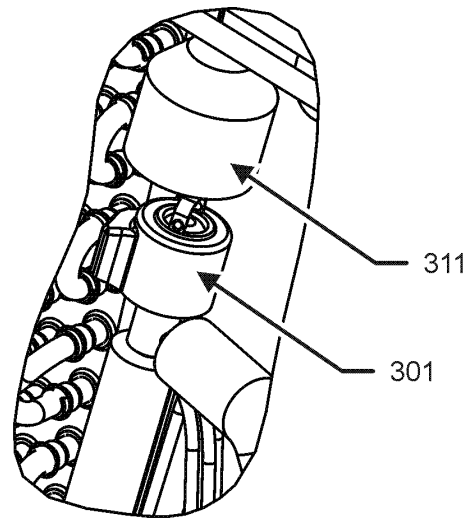
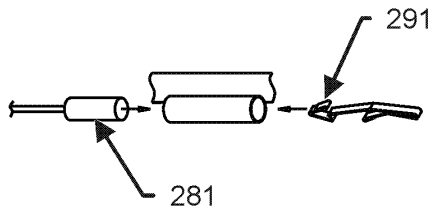
Image 1:

| | | |
|-----|---------------|--|
| 11 | 2P383866-1 | PCB FAN ASSY (M2, M4, M7) |
| 11 | 2P561240-1 | PCB FAN ASSY (M1, M3, M5, M6, M8, M9) |
| 21 | 0130M00138 | TRANSFORMER, 208/230, 24V (QTY 2) |
| 121 | 0121A00455PDG | WRAPPER (M4, M5, M6) |
| 121 | 0121A00456PDG | WRAPPER (M2, M3) |
| 121 | 0121A00458PDG | WRAPPER (M1) |
| 121 | 0121A00276PDG | WRAPPER, LARGE, PAINTED (M7, M8, M9) |
| 261 | 0121A01483PDG | PLATE, UPPER TIE, PAINTED (M1) |
| 261 | 0121A01484PDG | PLATE, UPPER TIE, PAINTED (M2, M3) |
| 261 | 0121A01485PDG | PLATE, UPPER TIE, PAINTED (M4, M5, M6, M7, M8, M9) |
| 411 | 0121A01440PDG | PANEL, UPPER ACCESS (M4, M5, M6, M7, M8, M9) |
| 411 | 0121A01441PDG | PANEL, UPPER ACCESS (M2, M3) |
| 411 | 0121A01442PDG | PANEL, UPPER ACCESS (M1) |
| 431 | 0121A00658PDG | REFRIGERATION TUBING PANEL |
| 451 | 0154A00006BL | GASKET, DRAIN PAN |
| 461 | 0154A00007BL | GASKET, DRAIN PAN |
| 471 | 0121A00460PDG | LOWER ACCESS PANEL (M4, M5, M6) |
| 471 | 0121A00461PDG | LOWER ACCESS PANEL (M2, M3) |
| 471 | 0121A00463PDG | LOWER ACCESS PANEL (M1) |
| 471 | 0121A00618PDG | LOWER ACCESS PANEL (M7, M8, M9) |
| 531 | 0121A00242PDG | Panel, Filter Access, Ptd (M1) |
| 531 | 0121A00243PDG | Panel, Filter Access, Ptd (M2, M3) |
| 531 | 0121A00244PDG | Panel, Filter Access, Ptd (M4, M5, M6, M7, M8, M9) |
| 541 | 0161A00073 | CIRCUIT BREAKER COVER |
| NS | B1392136 | 2.00" VIEW PORT BUSHING |
| NS | SHARED DATA | Available thru CoolCloud HVAC app |
| NS | 0164A00002 | GROMMET |
| NS | 0163M00036 | SCREW,#10X1/2,B,BZ,SLOT,SR,BLK (QTY 4) |
| NS | 0163A00026 | THUMB SCREW (QTY 2) |
| NS | BT1392909 | WASHER; SS RETAINING (QTY 2) |
| NS | 0259A00021 | WIRE ASSY, 9 PIN FEMALE CONN |
| NS | 0259A00033P | WIRE ASSY, 9 PIN FEMALE CONN |
| NS | 0259A00031P | WIRE HARNESS, CONNECTOR |

Expanded Model Nomenclature

| |
|-------------------|
| M1 - AVPEC25B14AD |
| M2 - AVPEC37C14AD |
| M3 - AVPEC37C14AE |
| M4 - AVPEC59D14AD |
| M5 - AVPEC59D14AE |
| M6 - AVPEC59D14AF |
| M7 - AVPEC61D14AD |
| M8 - AVPEC61D14AE |
| M9 - AVPEC61D14AF |

Coil Assembly



NOTE: COIL ASSEMBLY MAY DIFFER FROM WHAT IS SHOWN

Coil Assembly

| Ref. Part No: | No: | Description: | Ref. Part No: | No: | Description: |
|-----------------|--------------|--|---------------|-----|--------------|
| Image 1: | | | | | |
| 31 | 3S481012-1 | PRESSURE SENSOR | | | |
| 111 | B1787000 | VALVE CORE | | | |
| 121 | 0161A00049 | DRAINPAN, VERTICAL (M1) | | | |
| 121 | 0161A00051 | DRAINPAN, VERTICAL (M4, M5, M6, M7, M8, M9) | | | |
| 121 | 0161A00052 | DRAINPAN, VERTICAL (M2, M3) | | | |
| 171 | 0270A01026 | COIL TUBING ASSY (M1) | | | |
| 171 | 0270A01027 | COIL TUBING ASSY (M2, M3) | | | |
| 171 | 0270A01028 | COIL TUBING ASSY (M4, M5, M6) | | | |
| 171 | 0270A01029 | COIL TUBING ASSY (M7, M8, M9) | | | |
| 181 | 0161A00060 | CONDENSATE, COLLECT, FRONT | | | |
| 191 | 0161A00061 | CONDENSATE, COLLECT, BACK | | | |
| 201 | 0161A00053 | DRAIN PAN HORIZONTAL, TALL | | | |
| 211 | 0161A00054 | DRAIN PAN, EXTENSION, SMALL (M1, M2, M3, M4, M5, M6) | | | |
| 211 | 0161A00056 | DRAIN PAN, EXTENSION, TALL (M7, M8, M9) | | | |
| 231 | 0121A00633 | BRACKET, DRIP SHIELD (M1, M2, M3) | | | |
| 231 | 0121A00634 | BRACKET, DRIP SHIELD (M4, M5, M6, M7, M8, M9) | | | |
| 241 | 0154A00016 | GASKET, PORON | | | |
| 281 | 4P389796-1 | THERMISTOR ASSY | | | |
| 291 | 4PA38890-1 | MOUNTING SPRING, THERMISTOR (QTY 2) | | | |
| 301 | 3P381420-2 | EEV COIL | | | |
| 311 | 4P399446-1 | WATERPROOF CAP | | | |
| NS | 0163M00175 | CAP WITH O-RING | | | |
| NS | 0154A00006BL | Gasket, Drain Pan | | | |
| NS | 0154A00007BL | Gasket, Drain Pan | | | |
| NS | 3S500031-1 | PULSE MOTOR EXPANS EEV | | | |
| NS | 0259A00023 | WIRE HARNESS ASSY | | | |
| NS | 0259A00024 | WIRE HARNESS ASSY | | | |
| NS | 0259A00025 | WIRE HARNESS ASSY | | | |

Expanded Model Nomenclature

- | |
|-------------------|
| M1 - AVPEC25B14AD |
| M2 - AVPEC37C14AD |
| M3 - AVPEC37C14AE |
| M4 - AVPEC59D14AD |
| M5 - AVPEC59D14AE |
| M6 - AVPEC59D14AF |
| M7 - AVPEC61D14AD |
| M8 - AVPEC61D14AE |
| M9 - AVPEC61D14AF |

Blower Assembly

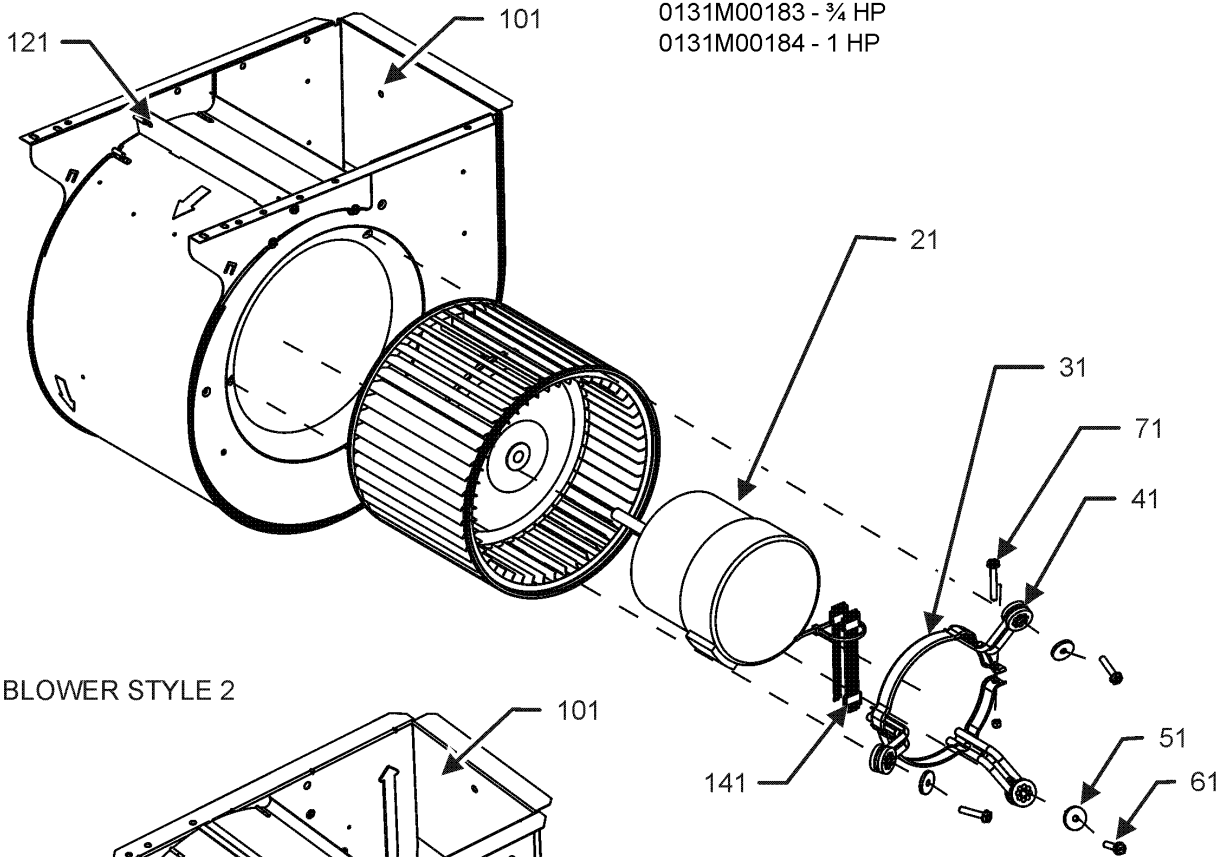
BLOWER STYLE 1

*If end bells are needed please order the following:

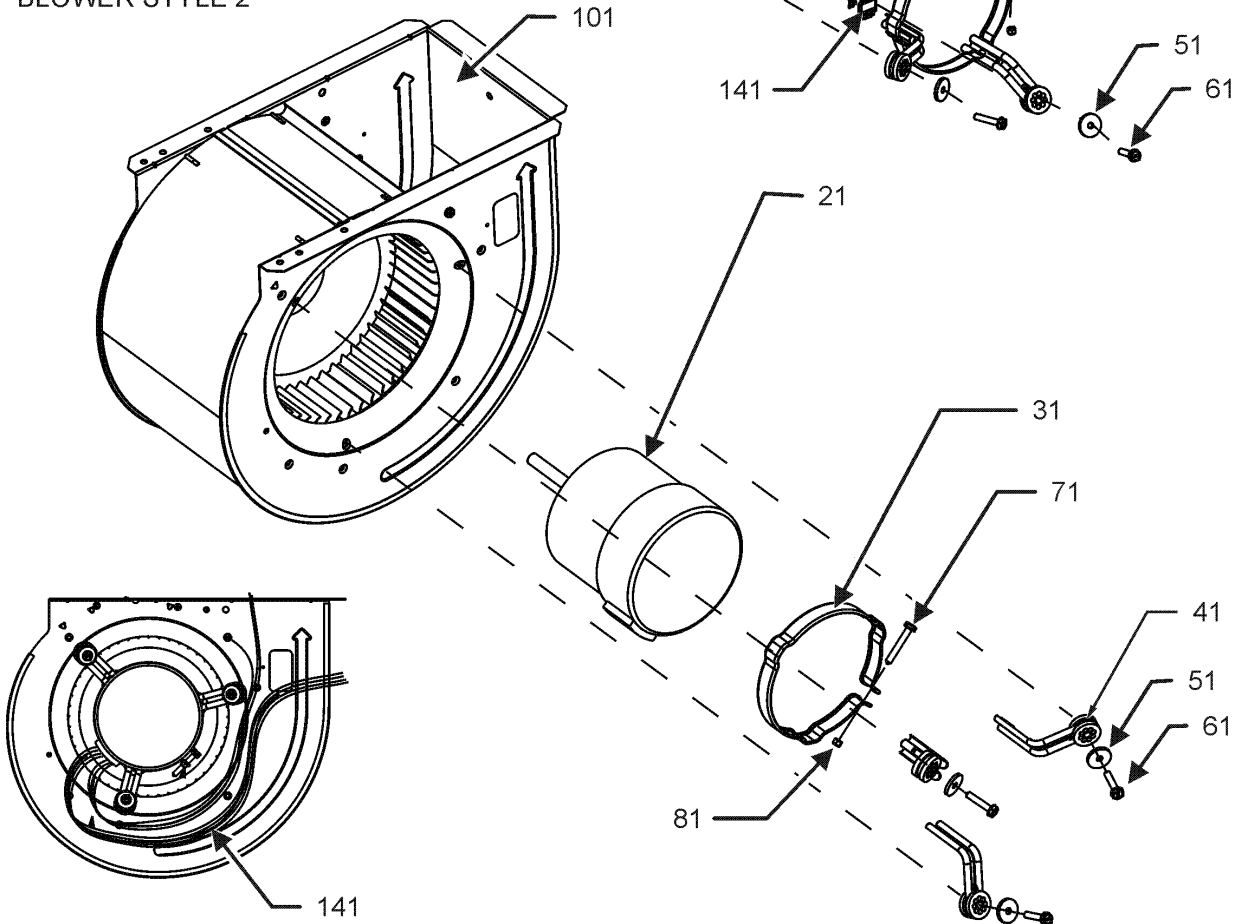
0131M00182 - 1/2 HP

0131M00183 - 3/4 HP

0131M00184 - 1 HP



BLOWER STYLE 2



Blower Assembly

| Ref. Part No: | Ref. Part No: | Description: | Description: |
|-----------------|---------------|---|--------------|
| Image 1: | | | |
| 21 | 0131M01011 | MOTOR, 1 HP (M6, M9) | |
| 21 | 0131M00272 | MOTOR, 1 HP, SERIAL ECM (M4, M5, M7, M8) | |
| 21 | 0131M00270 | MOTOR, 1/2 HP, SERIAL ECM (M1) | |
| 21 | 0131M00271 | MOTOR, 3/4 HP, SERIAL ECM (M2, M3) | |
| 31 | 0121M00038 | MOUNT BAND, MOTOR (M1) | |
| 31 | 0121M00039 | MOUNT BAND, MOTOR (HEAVY DUTY) (M2, M3, M4, M5, M6, M7, M8, M9) | |
| 41 | 0171M00012 | MOTOR MOUNT ARM (M1) | |
| 41 | 0163M00538 | MOUNT ARM, MOTOR (M2, M3, M4, M5, M6, M7, M8, M9) | |
| 51 | B1392918 | WASHER, FLAT 1/4 ID X 1 OD (QTY 3) | |
| 61 | M0250565 | TC SCREW 1.25" (QTY 3) | |
| 71 | 0163M00320 | HEX HED ALL THREAD TAP BOLT | |
| 81 | B1393800 | LOCKNUT, NYLON, INSERT 1/4,20 | |
| 101 | 0271A00016 | BLOWER HOUSING ASSY 10 X 10 (M2, M3) | |
| 101 | 0271A00203 | BLOWER SHELL ASSEMBLY (M1) | |
| 101 | 0271A00206 | BLOWER SHELL ASSY (M4, M5, M6, M7, M8, M9) | |
| 121 | 764741 | BLOWER BLOCK-OFF 10 X 10 (M2, M3) | |
| 131 | 0150M00059 | WHEEL, BLOWER (M2, M3) | |
| 141 | 0259M00008 | WIRE HARNESS | |
| NS | 0163M00003P | SCREW,#10 X 1/2,A,SLOT,SR,BLK (QTY 3) | |

Expanded Model Nomenclature

| |
|-------------------|
| M1 - AVPEC25B14AD |
| M2 - AVPEC37C14AD |
| M3 - AVPEC37C14AE |
| M4 - AVPEC59D14AD |
| M5 - AVPEC59D14AE |
| M6 - AVPEC59D14AF |
| M7 - AVPEC61D14AD |
| M8 - AVPEC61D14AE |
| M9 - AVPEC61D14AF |