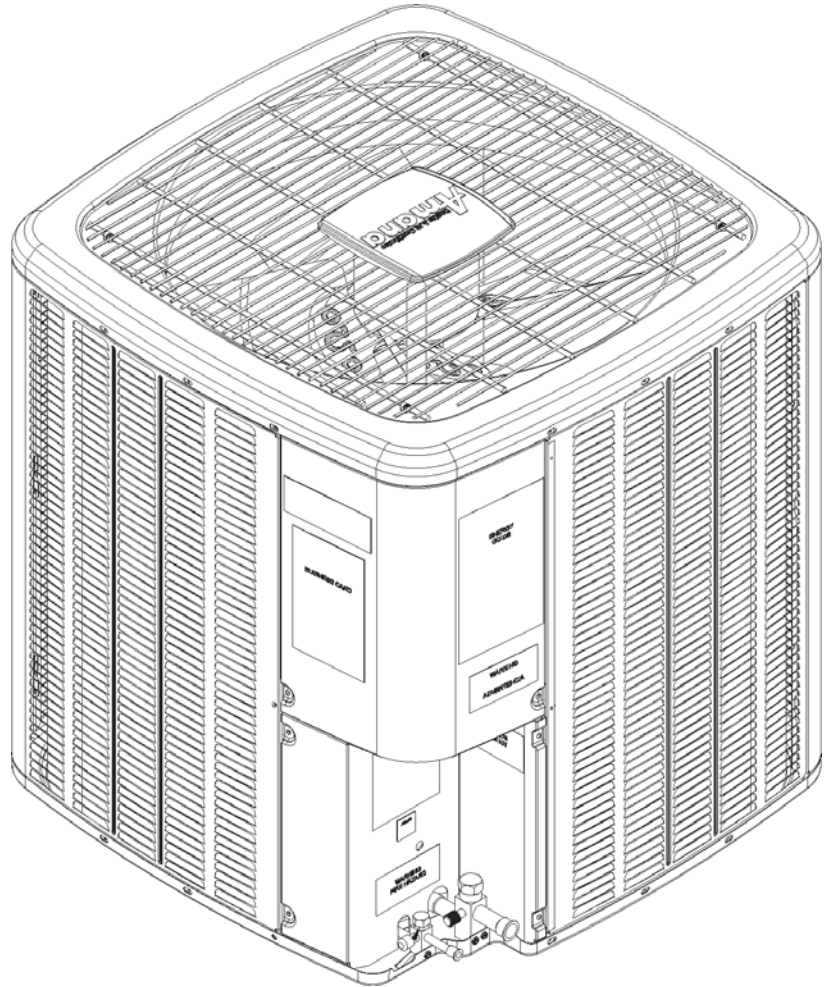


ASZ14 Remote Heat Pump

ASZ140181AJ
ASZ140181AK
ASZ140181AL
ASZ140181AM
ASZ140241AK
ASZ140241AL
ASZ140241AM
ASZ140241AN
ASZ140301AJ
ASZ140301AK
ASZ140301AL
ASZ140301AM
ASZ140361BB
ASZ140361BC
ASZ140361BD
ASZ140381AA
ASZ140381AB
ASZ140381AC
ASZ140421AH
ASZ140421AJ
ASZ140421AK
ASZ140421AL
ASZ140481AH
ASZ140481AJ
ASZ140481AK
ASZ140481AL
ASZ140601AH
ASZ140601AJ
ASZ140601AK
ASZ140601AL



Amana® is a registered trademark of Maytag Corporation or its related companies and is used under license to Goodman Company, L.P., Houston, TX, USA. All rights reserved.

This manual is to be used by qualified technicians only.

This manual replaces RP-745C.

© 2012-2014 Goodman Company, L.P. ♦ 5151 San Felipe St., Suite 500 ♦ Houston, TX 77056

Important Information

Index

Functional Parts List	3
Illustration and Parts	4 - 9

Views shown are for parts illustrations only, not servicing procedures

Rev D: Updated reversing valves

Text Codes:

AR - As Required

NA - Not Available

NS - Not Shown

00000000 - See Note

QTY - Quantity Example (QTY 3) (If Quantity not shown, Quantity = 1)

M - Model Example (M1) (If M Code not shown, then part is used on all Models)

Expanded Model Nomenclature:

Example M1 - Model#1 M2 - Model#2 M3 - Model#3

Goodman Company, L.P. is not responsible for personal injury or property damage resulting from improper service. Review all service information before beginning repairs.

Warranty service must be performed by an authorized technician, using authorized factory parts. If service is required after the warranty expires, Goodman Company, L.P. also recommends contacting an authorized technician and using authorized factory parts.

Goodman Company, L.P. reserves the right to discontinue, or change at any time, specifications or designs without notice or without incurring obligations.

For assistance within the U.S.A. contact:

Consumer Affairs Department
Goodman Company, L.P.
7401 Security Way
Houston, Texas 77040
877-254-4729-Telephone
713-863-2382-Facsimile

For assistance outside the U.S.A. contact:

International Division
Goodman Company, L.P.
7401 Security Way
Houston, Texas 77040
713-861-2500-Telephone
713-863-2382-Facsimile

Functional Parts

Part

No: Description:

Part No:	Description:	Part No:	Description:
B12825171	3/8" SERVICE VALVE	0151R00069	REVERSING VALVE (M12, M15)
CAP050450440CT	CAP, 5/45 MFD/440V/DUAL RD (M13, M14, M15, M16, M17, M18, M19, M20, M21, M22, M23, M24, M25, M26)	0151R00071	REVERSING VALVE (M18, M22, M26, M30)
CAP050300440RS	CAPACITOR 5/30/370V (M1, M2, M3, M4)	0151M00018	REVERSING VALVE (M1, M2, M3, M5, M6, M7)
CAP050400440CT	CAPACITOR 5/40/440V/DUAL RD (M5, M6, M7, M8, M9, M10, M11, M12)	B1225022	SOLENOID COIL
CAP050700440CT	CAPACITOR 5/70/440V/DUAL RD (M27, M28, M29, M30)	0151R00032	VALVE, BASE 3/4" OPEN LEFT (M1, M2, M3, M4, M5, M6, M7, M8, M9, M10, M11, M12, M13, M14, M15)
ZP16K5EPFV130	COMP, 15500, 208/230/60/1 (M1, M2, M3, M4)	0151R00033	VALVE, BASE 7/8" OPEN LEFT (M16, M17, M18, M19, M20, M21, M22, M23, M24, M25, M26, M27, M28, M29, M30)
ZP29K5EPFV130	COMP, 29000, 208/230/60/1 (M13, M14, M15, M16, M17, M18)		
ZP21K5EPFV130	COMPRESSOR 21300, 208/230/60/1 (M5, M6, M7, M8)		
ZP25K5EPFV130	COMPRESSOR 25200, 208/230/60/1 (M9, M10, M11, M12)		
ZP34K5EPFV130	COMPRESSOR 34500, 208/230/60/1 (M19, M20, M21, M22)		
ZP39K5EPFV130	COMPRESSOR 39000, 208/230/60/1 (M23, M24, M25, M26)		
ZP51K5EPFV130	COMPRESSOR 51000, 208/230/60/1 (M27, M28, M29, M30)		
0131M00061	COND MOTOR 1/4 HP, 1 SP, 8 PL (M13, M14, M15, M19, M20, M21, M22, M23, M24, M25, M26, M27, M28, M29, M30)		
0131M00060	COND MOTOR 1/6 HP, 1 SP, 8 PL (M5, M6, M7, M8, M9, M10, M11, M12)		
0131M00012P	COND MOTOR 1/6 HP, 1 SP, 8 PL (M16, M17, M18)		
0131M00266	COND PSC MOTOR 1/8 HP 8 PL (M1, M2, M3, M4)		
CONT1P025024V	CONTACTOR 25 AMP, 1P, 24V (M1, M2, M3, M4, M5, M6, M7, M8, M9, M10, M11, M12, M13, M14, M15, M16, M17, M18, M19, M20, M21, M22)		
CONT1P030024V	CONTACTOR 30 AMP, 1P, 24V (M23, M24, M25, M26, M27, M28, M29, M30)		
0130M00105	CONTROL, DEFROST		
571006700	CoreSense Module		
PCBDM133	DEFROST CONTROL BOARD		
0130M00106	DISC THERMOSTAT(CRNKCS HTR SW)		
10625737	FAN BLADE- 22" ALUM CCW (M1, M2, M3, M4)		
0150M00008	FAN BLADE 22" TNT2203-25 (M5, M6, M7, M8, M9, M10, M11, M12)		
10625738	FAN BLADE 26" ALUM CCW (M16, M17, M18, M19, M20, M21, M22, M23, M24, M25, M26, M27, M28, M29, M30)		
B1086765	FAN BLADE TYPE 3 (M13, M14, M15)		
0163R00006	HEATER, CRANKCASE 230V, 40W (M1, M2, M3, M4, M5, M6, M7, M8, M9, M10, M11, M12, M13, M14, M15, M16, M17, M18)		
0163R00007	HEATER, CRANKCASE 230V, 40W (M19, M20, M21, M22, M23, M24, M25, M26, M27, M28, M29, M30)		
0130R00003	HIGH PRESSURE SWITCH (M1, M2, M3, M4, M5, M6, M7, M8, M9, M10, M11, M12, M13, M14, M15, M17, M19, M20, M21, M22, M23, M24, M25, M26, M27, M28, M29, M30)		
0130M00089	HIGH PRESSURE SWITCH (M16, M18)		
0130M00088	LOW PRESSURE SWITCH		
0151M00021	REVERSING VALVE (M16, M17, M19, M20, M21, M23, M24, M25, M27, M28, M29)		
0151M00019	REVERSING VALVE (M9, M10, M11, M13, M14)		
0151R00068	REVERSING VALVE (M4, M8)		

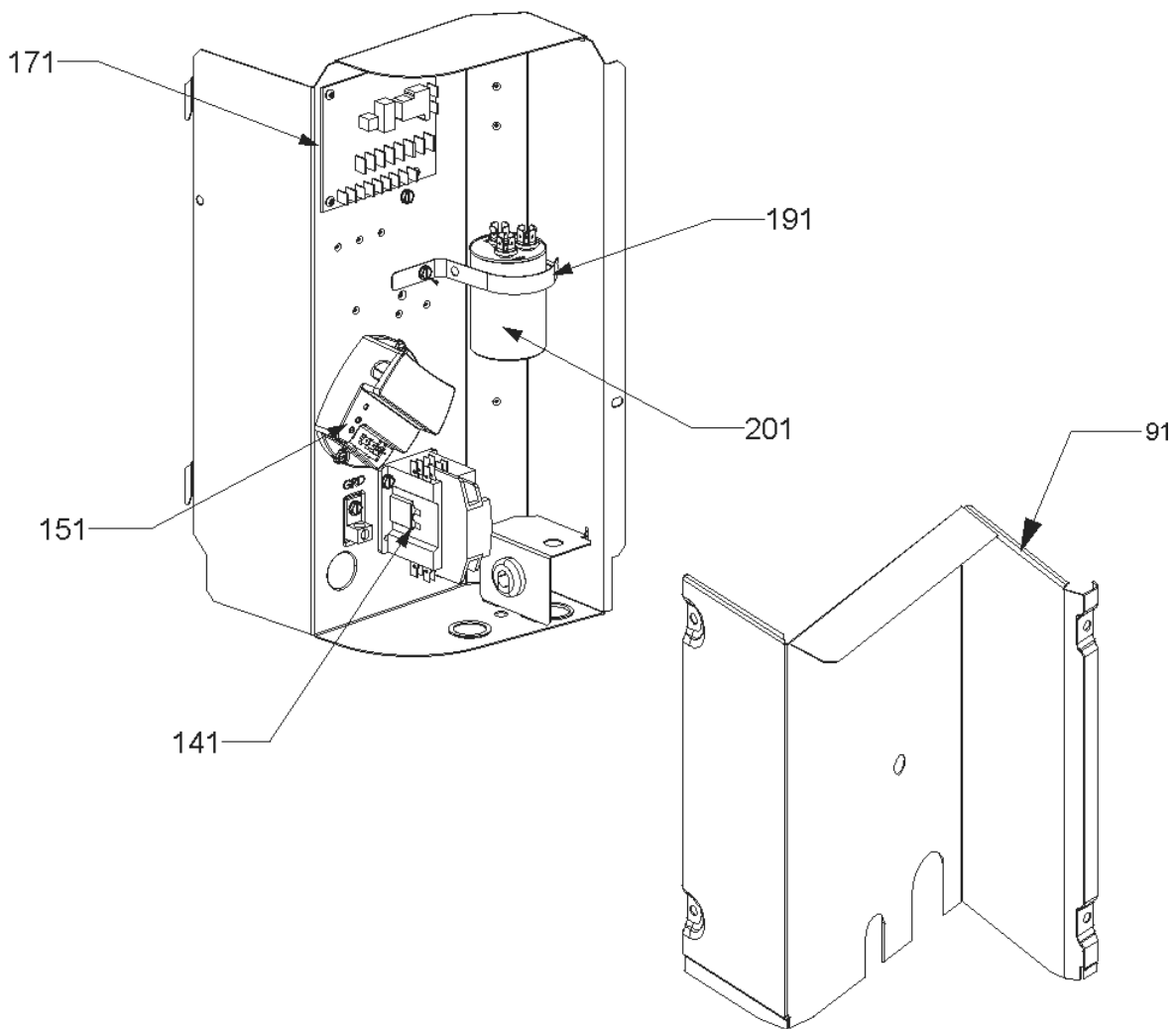
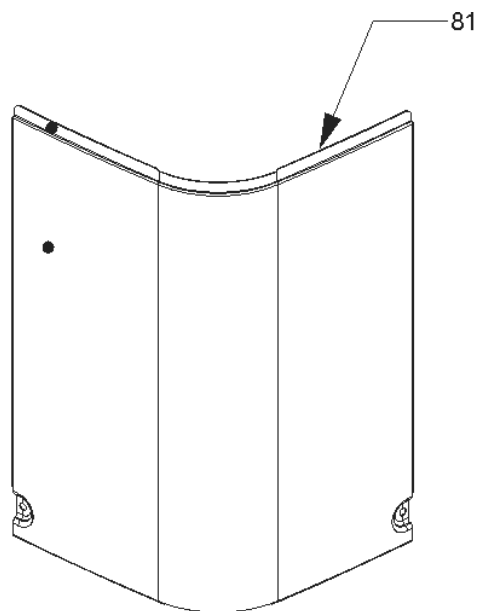
SPECIAL PARTS

0161R00008P	AMANA LOGO CAP
0161R00010P	AMANA NAMEPLATE

Expanded Model Nomenclature

M1 - ASZ140181AJ
M2 - ASZ140181AK
M3 - ASZ140181AL
M4 - ASZ140181AM
M5 - ASZ140241AK
M6 - ASZ140241AL
M7 - ASZ140241AM
M8 - ASZ140241AN
M9 - ASZ140301AJ
M10 - ASZ140301AK
M11 - ASZ140301AL
M12 - ASZ140301AM
M13 - ASZ140361BB
M14 - ASZ140361BC
M15 - ASZ140361BD
M16 - ASZ140381AA
M17 - ASZ140381AB
M18 - ASZ140381AC
M19 - ASZ140421AH
M20 - ASZ140421AJ
M21 - ASZ140421AK
M22 - ASZ140421AL
M23 - ASZ140481AH
M24 - ASZ140481AJ
M25 - ASZ140481AK
M26 - ASZ140481AL
M27 - ASZ140601AH
M28 - ASZ140601AJ
M29 - ASZ140601AK
M30 - ASZ140601AL

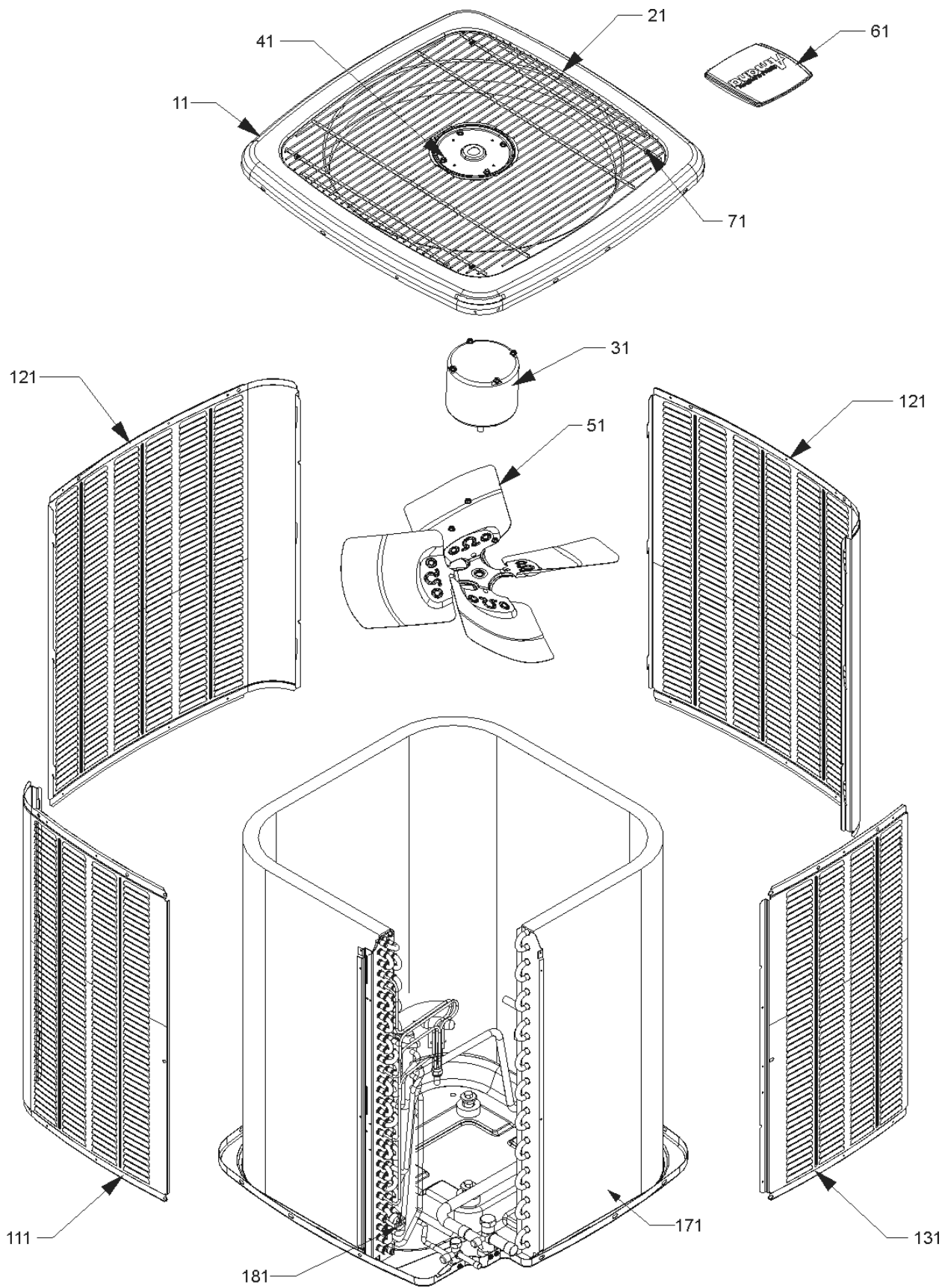
Control Panel Assembly



Control Panel Assembly

Ref. Part No:	Description:	Ref. Part No:	Description:
<i>Image 1:</i>		Expanded Model Nomenclature	
81	0121R00053 CONTROL COVER, SMALL	M1	- ASZ140181AJ
91	0121R00318PDG PANEL, LOWER ACCESS PNT (M5, M6, M7, M8, M9, M10, M11, M12, M13, M14, M15, M16, M17, M18, M19, M20, M21, M22, M27, M28, M29, M30)	M2	- ASZ140181AK
91	0121R00321PDG PANEL, LOWER ACCESS PNT (M1, M2, M3, M4, M23, M24, M25, M26)	M3	- ASZ140181AL
141	CONT1P025024V CONTACTOR 25 AMP, 1P, 24V (M1, M2, M3, M4, M5, M6, M7, M8, M9, M10, M11, M12, M13, M14, M15, M16, M17, M18, M19, M20, M21, M22)	M4	- ASZ140181AM
141	CONT1P030024V CONTACTOR 30 AMP, 1P, 24V (M23, M24, M25, M26, M27, M28, M29, M30)	M5	- ASZ140241AK
151	571006700 CoreSense Module	M6	- ASZ140241AL
171	PCBDM133 DEFROST CONTROL BOARD	M7	- ASZ140241AM
191	4400065 CAPACITOR STRAP	M8	- ASZ140241AN
201	CAP050450440CT CAP, 5/45 MFD/440V/DUAL RD (M13, M14, M15, M16, M17, M18, M19, M20, M21, M22, M23, M24, M25, M26)	M9	- ASZ140301AJ
201	CAP050300440RS CAPACITOR 5/30/370V (M1, M2, M3, M4)	M10	- ASZ140301AK
201	CAP050400440CT CAPACITOR 5/40/440V/DUAL RD (M5, M6, M7, M8, M9, M10, M11, M12)	M11	- ASZ140301AL
201	CAP050700440CT CAPACITOR 5/70/440V/DUAL RD (M27, M28, M29, M30)	M12	- ASZ140301AM
NS	0161R00010P AMANA NAMEPLATE	M13	- ASZ140361BB
		M14	- ASZ140361BC
		M15	- ASZ140361BD
		M16	- ASZ140381AA
		M17	- ASZ140381AB
		M18	- ASZ140381AC
		M19	- ASZ140421AH
		M20	- ASZ140421AJ
		M21	- ASZ140421AK
		M22	- ASZ140421AL
		M23	- ASZ140481AH
		M24	- ASZ140481AJ
		M25	- ASZ140481AK
		M26	- ASZ140481AL
		M27	- ASZ140601AH
		M28	- ASZ140601AJ
		M29	- ASZ140601AK
		M30	- ASZ140601AL

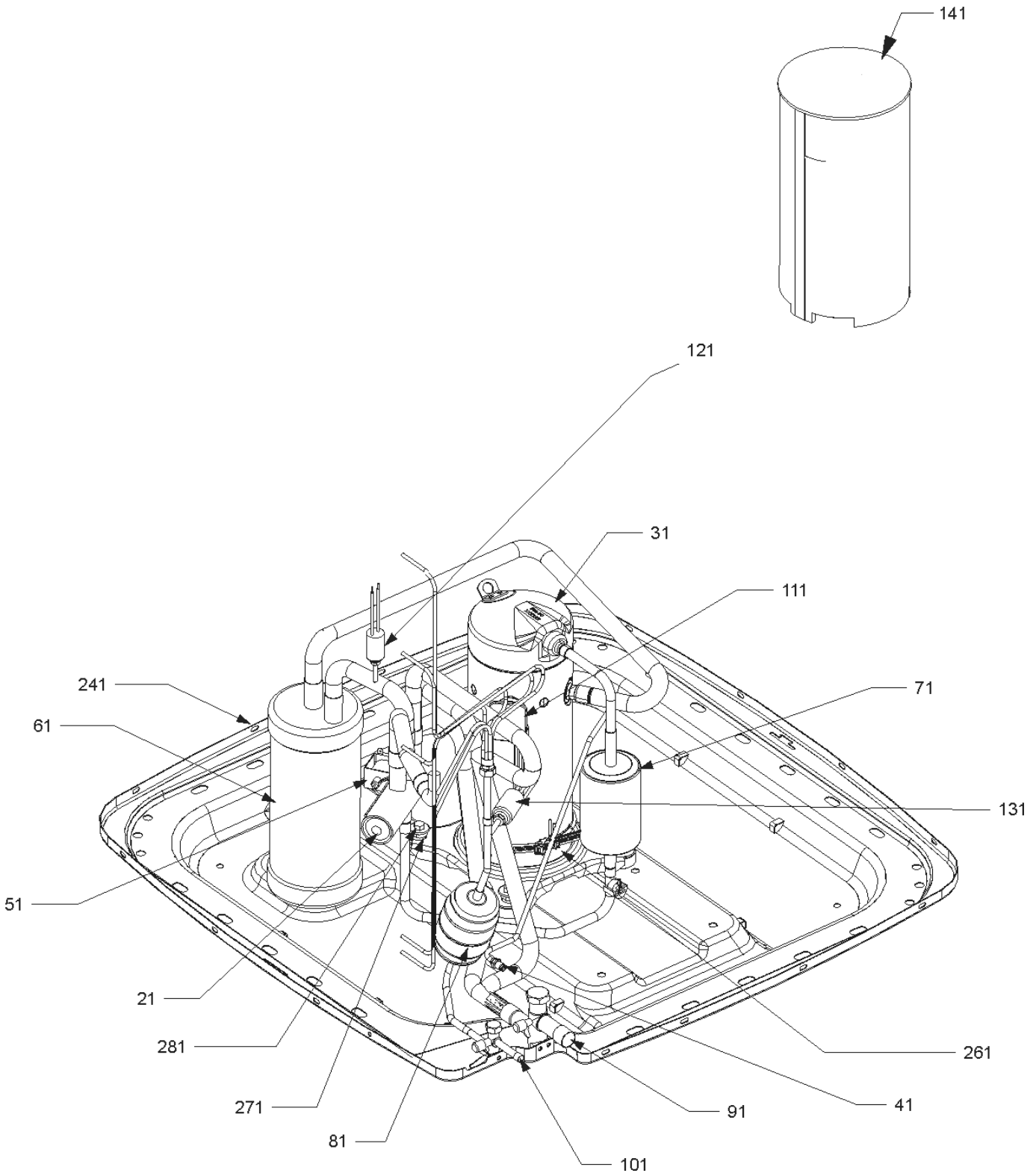
Top Panel / Condenser Assembly



Top Panel / Condenser Assembly

Ref. Part No: No:	Description:	Ref. Part No: No:	Description:																														
Image 1:		Image 1:																															
11	0121R00011PDG VENTURI TOP PANEL 29" (M1, M2, M3, M4, M5, M6, M7, M8, M9, M10, M11, M12, M13, M14, M15)	171	0201R00351 TUBING ASSY, COND COIL (M13, M14, M15)																														
11	0121R00013PDG VENTURI TOP PANEL 35" (M16, M17, M18, M19, M20, M21, M22, M23, M24, M25, M26, M27, M28, M29, M30)	171	0201R00537 TUBING ASSY, COND COIL (M16, M17, M18)																														
21	0152R00011 GRILLE, WIRE 29" TOP (M1, M2, M3, M4, M5, M6, M7, M8, M9, M10, M11, M12, M13, M14, M15)	181	0130M00105 CONTROL, DEFROST																														
21	0152R00014 GRILLE, WIRE 35" TOP (M16, M17, M18, M19, M20, M21, M22, M23, M24, M25, M26, M27, M28, M29, M30)	NS	0161R00002P CONDUIT (M1, M2, M3, M4, M5, M6, M7, M8, M9, M10, M11, M12, M13, M14, M15)																														
31	0131M00061 COND MOTOR 1/4 HP, 1 SP, 8 PL (M13, M14, M15, M19, M20, M21, M22, M23, M24, M25, M26, M27, M28, M29, M30)	NS	0161R00004P CONDUIT (M16, M17, M18, M19, M20, M21, M22, M23, M24, M25, M26, M27, M28, M29, M30)																														
31	0131M00012P COND MOTOR 1/6 HP, 1 SP, 8 PL (M16, M17, M18)	Expanded Model Nomenclature																															
31	0131M00060 COND MOTOR 1/6 HP, 1 SP, 8 PL (M5, M6, M7, M8, M9, M10, M11, M12)	<table border="1"> <tr><td>M1 - ASZ140181AJ</td></tr> <tr><td>M2 - ASZ140181AK</td></tr> <tr><td>M3 - ASZ140181AL</td></tr> <tr><td>M4 - ASZ140181AM</td></tr> <tr><td>M5 - ASZ140241AK</td></tr> <tr><td>M6 - ASZ140241AL</td></tr> <tr><td>M7 - ASZ140241AM</td></tr> <tr><td>M8 - ASZ140241AN</td></tr> <tr><td>M9 - ASZ140301AJ</td></tr> <tr><td>M10 - ASZ140301AK</td></tr> <tr><td>M11 - ASZ140301AL</td></tr> <tr><td>M12 - ASZ140301AM</td></tr> <tr><td>M13 - ASZ140361BB</td></tr> <tr><td>M14 - ASZ140361BC</td></tr> <tr><td>M15 - ASZ140361BD</td></tr> <tr><td>M16 - ASZ140381AA</td></tr> <tr><td>M17 - ASZ140381AB</td></tr> <tr><td>M18 - ASZ140381AC</td></tr> <tr><td>M19 - ASZ140421AH</td></tr> <tr><td>M20 - ASZ140421AJ</td></tr> <tr><td>M21 - ASZ140421AK</td></tr> <tr><td>M22 - ASZ140421AL</td></tr> <tr><td>M23 - ASZ140481AH</td></tr> <tr><td>M24 - ASZ140481AJ</td></tr> <tr><td>M25 - ASZ140481AK</td></tr> <tr><td>M26 - ASZ140481AL</td></tr> <tr><td>M27 - ASZ140601AH</td></tr> <tr><td>M28 - ASZ140601AJ</td></tr> <tr><td>M29 - ASZ140601AK</td></tr> <tr><td>M30 - ASZ140601AL</td></tr> </table>		M1 - ASZ140181AJ	M2 - ASZ140181AK	M3 - ASZ140181AL	M4 - ASZ140181AM	M5 - ASZ140241AK	M6 - ASZ140241AL	M7 - ASZ140241AM	M8 - ASZ140241AN	M9 - ASZ140301AJ	M10 - ASZ140301AK	M11 - ASZ140301AL	M12 - ASZ140301AM	M13 - ASZ140361BB	M14 - ASZ140361BC	M15 - ASZ140361BD	M16 - ASZ140381AA	M17 - ASZ140381AB	M18 - ASZ140381AC	M19 - ASZ140421AH	M20 - ASZ140421AJ	M21 - ASZ140421AK	M22 - ASZ140421AL	M23 - ASZ140481AH	M24 - ASZ140481AJ	M25 - ASZ140481AK	M26 - ASZ140481AL	M27 - ASZ140601AH	M28 - ASZ140601AJ	M29 - ASZ140601AK	M30 - ASZ140601AL
M1 - ASZ140181AJ																																	
M2 - ASZ140181AK																																	
M3 - ASZ140181AL																																	
M4 - ASZ140181AM																																	
M5 - ASZ140241AK																																	
M6 - ASZ140241AL																																	
M7 - ASZ140241AM																																	
M8 - ASZ140241AN																																	
M9 - ASZ140301AJ																																	
M10 - ASZ140301AK																																	
M11 - ASZ140301AL																																	
M12 - ASZ140301AM																																	
M13 - ASZ140361BB																																	
M14 - ASZ140361BC																																	
M15 - ASZ140361BD																																	
M16 - ASZ140381AA																																	
M17 - ASZ140381AB																																	
M18 - ASZ140381AC																																	
M19 - ASZ140421AH																																	
M20 - ASZ140421AJ																																	
M21 - ASZ140421AK																																	
M22 - ASZ140421AL																																	
M23 - ASZ140481AH																																	
M24 - ASZ140481AJ																																	
M25 - ASZ140481AK																																	
M26 - ASZ140481AL																																	
M27 - ASZ140601AH																																	
M28 - ASZ140601AJ																																	
M29 - ASZ140601AK																																	
M30 - ASZ140601AL																																	
31	0131M00266 COND PSC MOTOR 1/8 HP 8 PL (M1, M2, M3, M4)																																
41	M0280801 HEX NUT (QTY 4)																																
41	B1787000 VALVE CORE																																
51	10625737 FAN BLADE- 22" ALUM CCW (M1, M2, M3, M4)																																
51	0150M00008 FAN BLADE 22" TNT2203-25 (M5, M6, M7, M8, M9, M10, M11, M12)																																
51	10625738 FAN BLADE 26" ALUM CCW (M16, M17, M18, M19, M20, M21, M22, M23, M24, M25, M26, M27, M28, M29, M30)																																
51	B1086765 FAN BLADE TYPE 3 (M13, M14, M15)																																
61	0161R00008P AMANA LOGO CAP																																
71	0163M00003P SCREW #10 X 1/2, A, SLOT, SR, BLACK (QTY 6)																																
81	0121R00053PDG CONTROL COVER																																
111	4400464PLGB LOUVERED SIDE PANEL [LT OF CNTL PNL] (M16, M17, M18, M19, M20, M21, M22, M27, M28, M29, M30)																																
111	4400457PLGB LOUVERED SIDE PANEL [LT OF CNTL PNL] (M1, M2, M3, M4)																																
111	4400458PLG LOUVERED SIDE PANEL [LT OF CNTL PNL] (M5, M6, M7, M8, M9, M10, M11, M12, M13, M14, M15)																																
111	4400463PLGB LOUVERED SIDE PANEL [LT OF CNTL PNL] (M23, M24, M25, M26)																																
121	4400459PLGB LOUVERED SIDE PANEL (M1, M2, M3, M4)																																
121	4400465PLGB LOUVERED SIDE PANEL (M23, M24, M25, M26)																																
121	4400460PLGB LOUVERED SIDE PANEL 29_36 (M5, M6, M7, M8, M9, M10, M11, M12, M13, M14, M15)																																
121	4400466PLGB PANEL 2, BENT LOUVER (M16, M17, M18, M19, M20, M21, M22, M27, M28, M29, M30)																																
131	4400461PLG LOUVERED SIDE PANEL [RT OF CNTL PNL] (M1, M2, M3, M4)																																
131	4400462PLG LOUVERED SIDE PANEL [RT OF CNTL PNL] (M5, M6, M7, M8, M9, M10, M11, M12, M13, M14, M15)																																
131	4400464PLG LOUVERED SIDE PANEL [RT OF CNTL PNL] (M16, M17, M18, M19, M20, M21, M22, M27, M28, M29, M30)																																
131	4400467PLG LOUVERED SIDE PANEL [RT OF CNTL PNL] (M23, M24, M25, M26)																																
171	0201R00060 TUBING ASSY, COND COIL (M23, M24, M25, M26)																																
171	0201R00061 TUBING ASSY, COND COIL (M5, M6, M7, M8)																																
171	0201R00062 TUBING ASSY, COND COIL (M9, M10, M11, M12)																																
171	0201R00071 TUBING ASSY, COND COIL (M1, M2, M3, M4)																																
171	0201R00072 TUBING ASSY, COND COIL (M19, M20, M21, M22)																																
171	0201R00073 TUBING ASSY, COND COIL (M27, M28, M29, M30)																																

Compressor / Tubing Assembly



Compressor / Tubing Assembly

Ref. Part No: No:	Description:	Ref. Part No: No:	Description:
Image 1:		Image 1:	
21	0151M00018 REVERSING VALVE (M1, M2, M3, M5, M6, M7)	261	0163R00006 HEATER, CRANKCASE 230V, 40W (M1, M2, M3, M4, M5, M6, M7, M8, M9, M10, M11, M12, M13, M14, M15, M16, M17, M18)
21	0151M00019 REVERSING VALVE (M9, M10, M11, M13, M14)		
21	0151M00021 REVERSING VALVE (M16, M17, M19, M20, M21, M23, M24, M25, M27, M28, M29)	261	0163R00007 HEATER, CRANKCASE 230V, 40W (M19, M20, M21, M22, M23, M24, M25, M26, M27, M28, M29, M30)
21	0151R00068 REVERSING VALVE (M4, M8)		
21	0151R00069 REVERSING VALVE (M12, M15)	271	B1339533 COMPRESSOR GROMMET (QTY 4)
21	0151R00071 REVERSING VALVE (M18, M22, M26, M30)	281	M0221641 TF SHOULDER SCREW (QTY 4)
31	ZP16K5EPFV130 COMP,15500,208/230/60/1 (M1, M2, M3, M4)	NS	0130M00106 DISC THERMOSTAT(CRNKCS HTR SW)
31	ZP29K5EPFV130 COMP,29000,208/230/60/1 (M13, M14, M15, M16, M17, M18)	NS	0130M00083 REVERSING VALVE HARNESS
		NS	B1225022 SOLENOID COIL
31	ZP21K5EPFV130 COMPRESSOR 21300, 208/230/60/1 (M5, M6, M7, M8)	Expanded Model Nomenclature	
31	ZP25K5EPFV130 COMPRESSOR 25200, 208/230/60/1 (M9, M10, M11, M12)	<div style="border: 1px solid black; padding: 5px;"> M1 - ASZ140181AJ M2 - ASZ140181AK M3 - ASZ140181AL M4 - ASZ140181AM M5 - ASZ140241AK M6 - ASZ140241AL M7 - ASZ140241AM M8 - ASZ140241AN M9 - ASZ140301AJ M10 - ASZ140301AK M11 - ASZ140301AL M12 - ASZ140301AM M13 - ASZ140361BB M14 - ASZ140361BC M15 - ASZ140361BD M16 - ASZ140381AA M17 - ASZ140381AB M18 - ASZ140381AC M19 - ASZ140421AH M20 - ASZ140421AJ M21 - ASZ140421AK M22 - ASZ140421AL M23 - ASZ140481AH M24 - ASZ140481AJ M25 - ASZ140481AK M26 - ASZ140481AL M27 - ASZ140601AH M28 - ASZ140601AJ M29 - ASZ140601AK M30 - ASZ140601AL </div>	
31	ZP34K5EPFV130 COMPRESSOR 34500, 208/230/60/1 (M19, M20, M21, M22)		
31	ZP39K5EPFV130 COMPRESSOR 39000, 208/230/60/1 (M23, M24, M25, M26)		
31	ZP51K5EPFV130 COMPRESSOR 51000, 208/230/60/1 (M27, M28, M29, M30)		
41	0163M00175 CAP WITH O-RING		
51	0130M00083 REVERSING VALVE HARNESS		
61	0151L00008 ACCUMULATOR (M13, M14, M15)		
61	0151L00009 ACCUMULATOR (M16, M17, M18)		
61	0151R00004P ACCUMULATOR .750 (M1, M2, M3, M4, M5, M6, M7, M8, M9, M10, M11, M12)		
61	B1226207 ACCUMULATOR .875 (M19, M20, M21, M22, M23, M24, M25, M26, M27, M28, M29, M30)		
71	0162R00007 MUFFLER 1/2 X 1/2		
81	20485201 BI-FLOW FILTER DRIER		
91	0151R00032 VALVE, BASE 3/4" OPEN LEFT (M1, M2, M3, M4, M5, M6, M7, M8, M9, M10, M11, M12, M13, M14, M15)		
91	0151R00033 VALVE, BASE 7/8" OPEN LEFT (M16, M17, M18, M19, M20, M21, M22, M23, M24, M25, M26, M27, M28, M29, M30)		
101	B12825171 3/8" SERVICE VALVE		
111	0159R00001P COMPRESSOR SCROLL HARNESS (M1, M2, M3, M4, M5, M6, M7, M8, M9, M10, M11, M12)		
111	0159R00002P COMPRESSOR SCROLL HARNESS (M13, M14, M15, M16, M17, M18, M19, M20, M21, M22, M23, M24, M25, M26, M27, M28, M29, M30)		
121	0130M00088 LOW PRESSURE SWITCH		
131	0130M00089 HIGH PRESSURE SWITCH (M16, M18)		
131	0130R00003 HIGH PRESSURE SWITCH (M1, M2, M3, M4, M5, M6, M7, M8, M9, M10, M11, M12, M13, M14, M15, M17, M19, M20, M21, M22, M23, M24, M25, M26, M27, M28, M29, M30)		
141	B1488807 COMPRESSOR SOUND BLANKET (M19, M20, M21, M22, M23, M24, M25, M26, M27, M28, M29, M30)		
141	B1488810 COMPRESSOR SOUND BLANKET (M1, M2, M3, M4, M5, M6, M7, M8, M9, M10, M11, M12, M13, M14, M15, M16, M17, M18)		
241	0121R00006PDG BASE PAN 29" (M1, M2, M3, M4, M5, M6, M7, M8, M9, M10, M11, M12, M13, M14, M15)		
241	0121R00007PDG BASE PAN 35" (M16, M17, M18, M19, M20, M21, M22, M23, M24, M25, M26, M27, M28, M29, M30)		