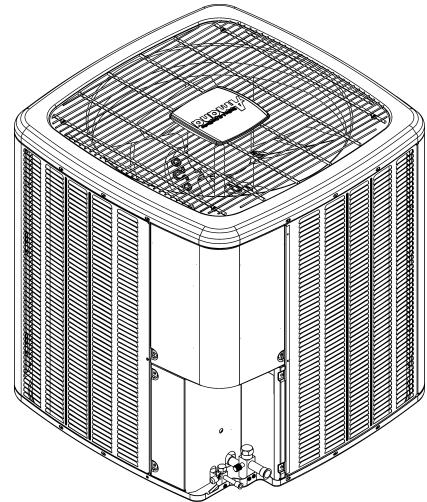


## ASX16 Remote Condensing Units

ASX160241AA  
ASX160241AB  
ASX160241AC  
ASX160241BA  
ASX160241CA  
ASX160311AA  
ASX160311AB  
ASX160361AA  
ASX160361AB  
ASX160361AC  
ASX160361CA  
ASX160371AA  
ASX160371AB  
ASX160481AA  
ASX160481AB  
ASX160481AC  
ASX160481BA  
ASX160601AA  
ASX160601AB  
ASX160601AC  
ASX160601BA



Amana® is a registered trademark of Maytag Corporation or its related companies and is used under license. All rights reserved.

This manual is to be used by qualified technicians only.

This manual replaces RP-398D.

© 2006, 2013, 2016, 2020 Goodman Company, L.P. ♦ 5151 San Felipe St, Suite 500 ♦ Houston, TX 77056

# Important Information

---

## Index

Functional Parts List .....	3
Illustration and Parts .....	4 - 9

*Views shown are for parts illustrations only, not servicing procedures*

### Text Codes:

AR - As Required

NA - Not Available

NS - Not Shown

00000000 - See Note

QTY - Quantity Example (QTY 3) (If Quantity not shown, Quantity = 1)

M - Model Example (M1) (If M Code not shown, then part is used on all Models)

### Expanded Model Nomenclature:

Example M1 - Model#1 M2 - Model#2 M3 - Model#3
---

Goodman Company, L.P. is not responsible for personal injury or property damage resulting from improper service. Review all service information before beginning repairs.

Warranty service must be performed by an authorized technician, using authorized factory parts. If service is required after the warranty expires, Goodman Company, L.P. also recommends contacting an authorized technician and using authorized factory parts.

Goodman Company, L.P. reserves the right to discontinue, or change at any time, specifications or designs without notice or without incurring obligations.

For assistance within the U.S.A. contact:

Homeowner Support  
Goodman Company, L.P.  
19001 Kermier Road  
Waller, Texas 77484  
877-254-4729-Telephone  
713-863-2382-Facsimile

For assistance outside the U.S.A. contact:

International Division  
Goodman Company, L.P.  
19001 Kermier Road  
Waller, Texas 77484  
713-861-2500-Telephone  
713-863-2382-Facsimile

# Functional Parts

**Part No:**      **Description:**

CAP050350440CS	CAPACITOR 5/35/440V (M1, M2, M3, M4, M5)
CAP050400440CT	CAPACITOR 5/40/440V/DUAL RD (M6, M7, M8, M9, M10, M11)
CAP050450440CT	CAPACITOR 5/45/440V/DUAL RD (M12, M13, M14, M15, M16, M17)
CAP050800440RT	CAPACITOR 5/80/440V (M18, M19, M20, M21)
543003302	COMFORT ALERT MODULE (M1, M2, M3, M5, M8, M9, M10, M11, M14, M15, M16, M18, M19, M20)
ZP24K5EPFV130	COMP,24000,208/230/60/1 (M6, M7)
ZP31K6EPFV130	COMP,42500,208/230/60/1 (M12, M13)
ZPS20K4EPFV230	COMPRESSOR 20000, 208/230/60/1/2STG (M1, M2, M3, M4, M5)
ZPS30K4EPFV230	COMPRESSOR 30000, 208/230/60/1/2STG (M8, M9, M10, M11)
ZPS40K4EPFV230	COMPRESSOR 40000, 208/230/60/1/2STG (M14, M15, M16, M17)
ZPS51K4EPFV230	COMPRESSOR 52000, 208/230/60/1/2STG (M18, M19, M20, M21)
0131M00114	COND MOTOR 1/12 HP, 2 SP, 8 PL (M4)
0131M00060	COND MOTOR 1/6 HP, 1 SP, 8 PL (M6, M12)
0131M00038	COND MOTOR 1/6 HP, 2 SP, 8 PL (M8, M9, M10, M14, M15, M16, M18, M19, M20)
0131M00013P	COND MOTOR 1/6 HP, 2 SP, 8 PL (M5)
0131M00115	COND MOTOR 1/6 HP, 2 SP, 8 PL (M17, M21)
CONT1P025024V	CONTACTOR 25 AMP, 1P, 24V (M1, M2, M3, M5, M6, M7)
CONT1P030024V	CONTACTOR 30 AMP, 1P, 24V (M8, M9, M10, M11, M12, M13, M14, M15, M16)
CONT2P040024V	CONTACTOR 40 AMP, 2P, 24V (M18, M19, M20)
571006600	CoreSense Module (M6, M7, M12, M13)
0150M00001P	FAN BLADE 20 INCH (M1, M2, M3, M4)
0150M00008	FAN BLADE 22" TNT2203-25 (M5, M9, M10)
10625738	FAN BLADE 26" ALUM CCW (M12, M13, M14, M15, M16, M17, M18, M19, M20, M21)
B1086764	FAN BLADE TYPE 2 (M6, M7, M8, M11)
0130R00003	HIGH PRESSURE SWITCH (M4, M17)
0130R00056	HIGH PRESSURE SWITCH (M6, M7, M12, M13)
0130R00002	LOW PRESSURE SWITCH (M4, M17)
0130M00082	LOW PRESSURE SWITCH (M6, M7, M12, M13)
0130R00001	LOW PRESSURE SWITCH (M1, M2, M3, M5, M8, M9, M10, M11, M14, M15, M16, M18, M19, M20)
0130M00086	LOW PRESSURE SWITCH (M21)
0131M00039	MOTOR, 1/12HP 2SP 8PL (M1, M2, M3)
0131M00753	MOTOR, 1/6HP, 1SP, 8PL, AL (M7, M13)
0131M00017P	MOTOR, FAN 1/6 HP, 8 PL, 2 SP (M11)
0130M00054	OUTDOOR AIR TEMP SENSOR (M4, M17, M21)
PCBGR103	PCB, CONTROL, 2 STG, AC (M4, M17, M21)
0130R00006	SHARED DATA (M4)
0130R00015	SHARED DATA (M21)
0130R00011	SHARED DATA (M17)

0161R00014	AMANA LOGO NAMEPLATE (M1, M2, M8, M9, M14, M15, M18, M19)
0161R00008P	CAP, AMANA LOGO

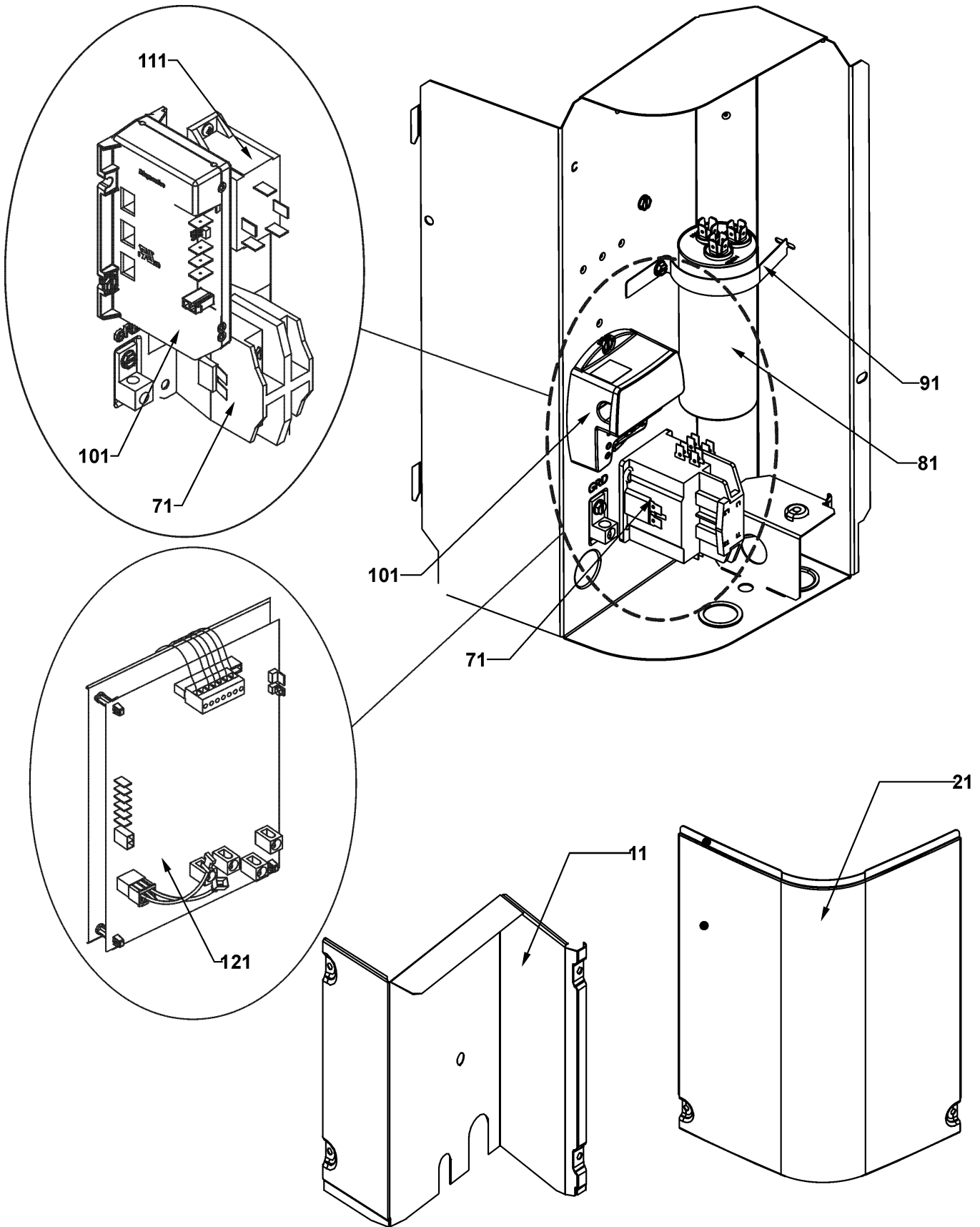
**Expanded Model Nomenclature**

M1 - ASX160241AA
M2 - ASX160241AB
M3 - ASX160241AC
M4 - ASX160241BA
M5 - ASX160241CA
M6 - ASX160311AA
M7 - ASX160311AB
M8 - ASX160361AA
M9 - ASX160361AB
M10 - ASX160361AC
M11 - ASX160361CA
M12 - ASX160371AA
M13 - ASX160371AB
M14 - ASX160481AA
M15 - ASX160481AB
M16 - ASX160481AC
M17 - ASX160481BA
M18 - ASX160601AA
M19 - ASX160601AB
M20 - ASX160601AC
M21 - ASX160601BA

**SPECIAL PARTS**

0161R00010P	AMANA LOGO NAMEPLATE (M3, M4, M5, M6, M7, M10, M11, M12, M13, M16, M17, M20, M21)
-------------	---

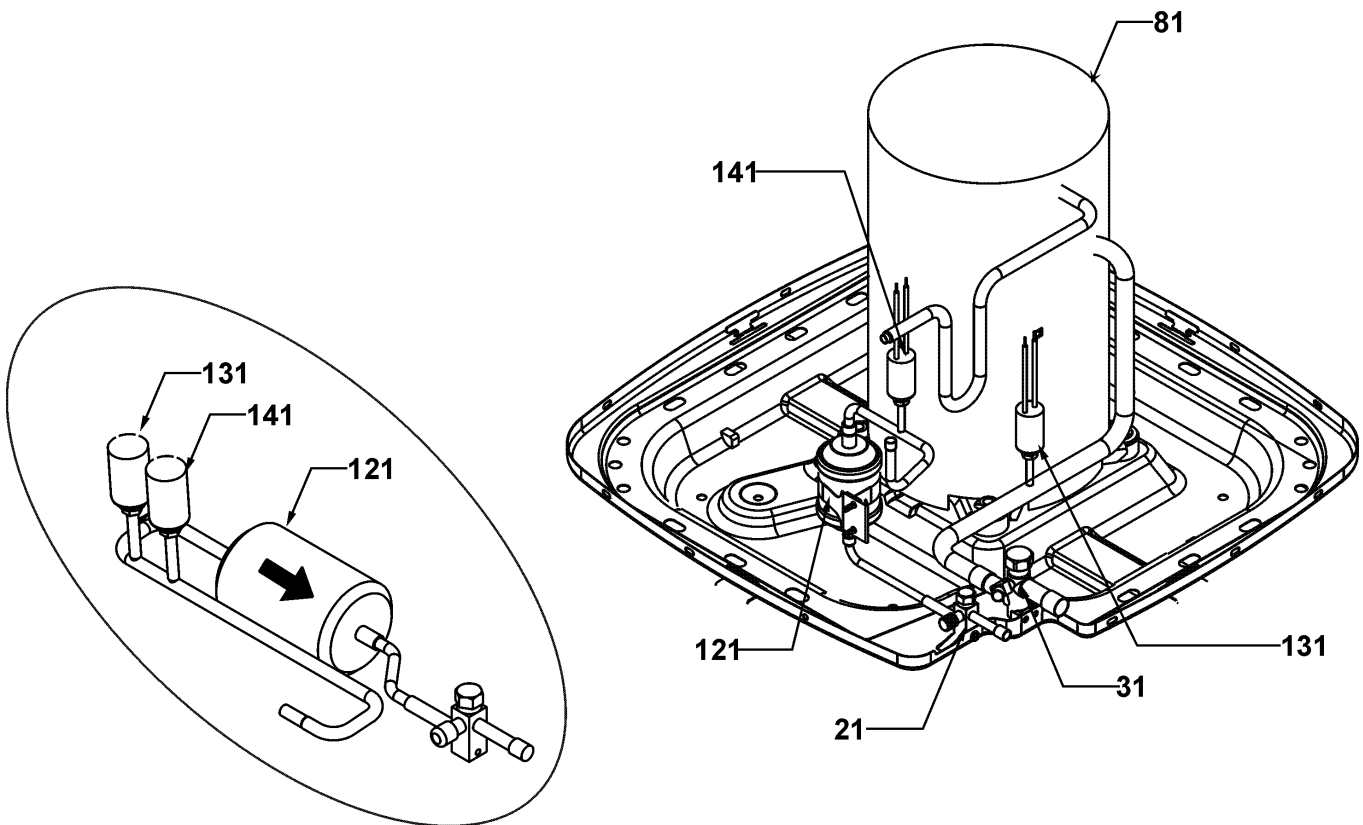
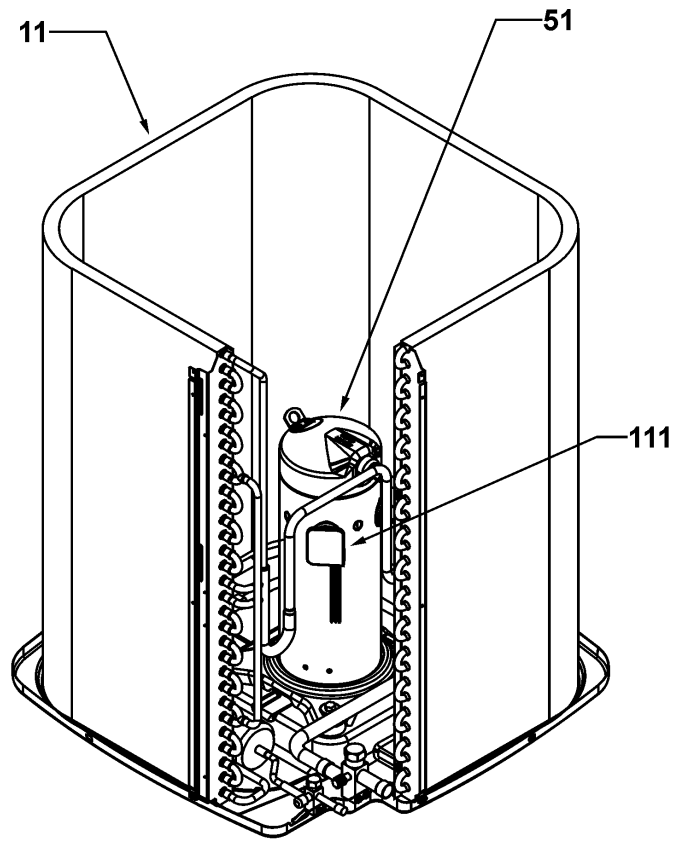
# Control Cover / Control Box



# Control Cover / Control Box

Ref. Part No:	Description:	Ref. Part No:	Description:
<b>Image 1:</b>		<b>Expanded Model Nomenclature</b>	
11	0121R00316PDG LOWER ACCESS PANEL (M6, M7)	M1	- ASX160241AA
11	0121R00317PDG LOWER ACCESS PANEL (M8, M9, M10, M14, M15, M16, M17, M18, M19, M20, M21)	M2	- ASX160241AB
11	0121R00319PDG LOWER ACCESS PANEL (M12, M13)	M3	- ASX160241AC
11	0121R00663PDG LOWER ACCESS PANEL (M1, M2, M3, M4, M5, M11)	M4	- ASX160241BA
21	4400064PDG CONTROL COVER (M1)	M5	- ASX160241CA
21	4400080PDG CONTROL COVER (M8, M14, M18)	M6	- ASX160311AA
21	0121R00054PDG CONTROL COVER, LARGE (M9, M10, M15, M16, M17, M19, M20, M21)	M7	- ASX160311AB
21	0121R00053PDG CONTROL COVER, SMALL (M2, M3, M4, M5, M6, M7, M11, M12, M13)	M8	- ASX160361AA
71	CONT1P025024V CONTACTOR 25 AMP, 1P, 24V (M1, M2, M3, M5, M6, M7)	M9	- ASX160361AB
71	CONT1P030024V CONTACTOR 30 AMP, 1P, 24V (M8, M9, M10, M11, M12, M13, M14, M15, M16)	M10	- ASX160361AC
71	CONT2P040024V CONTACTOR 40 AMP, 2P, 24V (M18, M19, M20)	M11	- ASX160361CA
81	CAP050350440CS CAPACITOR 5/35/440V (M1, M2, M3, M4, M5)	M12	- ASX160371AA
81	CAP050400440CT CAPACITOR 5/40/440V/DUAL RD (M6, M7, M8, M9, M10, M11)	M13	- ASX160371AB
81	CAP050450440CT CAPACITOR 5/45/440V/DUAL RD (M12, M13, M14, M15, M16, M17)	M14	- ASX160481AA
81	CAP050800440RT CAPACITOR 5/80/440V (M18, M19, M20, M21)	M15	- ASX160481AB
91	4400065 STRAP, CAPACITOR	M16	- ASX160481AC
101	543003302 COMFORT ALERT MODULE (M1, M2, M3, M5, M8, M9, M10, M11, M14, M15, M16, M18, M19, M20)	M17	- ASX160481BA
101	571006600 CoreSense Module (M6, M7, M12, M13)	M18	- ASX160601AA
111	10135604 RELAY (M1, M2, M3, M5, M8, M9, M10, M11, M14, M15, M16, M18, M19, M20)	M19	- ASX160601AB
121	PCBGR103 PCB, CONTROL, 2 STG, AC (M4, M17, M21)	M20	- ASX160601AC
NS	0161R00010P AMANA LOGO NAMEPLATE (M3, M4, M5, M6, M7, M10, M11, M12, M13, M16, M17, M20, M21)	M21	- ASX160601BA
NS	0161R00014 AMANA LOGO NAMEPLATE (M1, M2, M8, M9, M14, M15, M18, M19)		
NS	0130M00054 OUTDOOR AIR TEMP SENSOR (M4, M17, M21)		
NS	0130R00006 SHARED DATA (M4)		
NS	0130R00011 SHARED DATA (M17)		
NS	0130R00015 SHARED DATA (M21)		
NS	0159R00010 WIRE ASSEMBLY, PSC MOTOR (M4, M17, M21)		

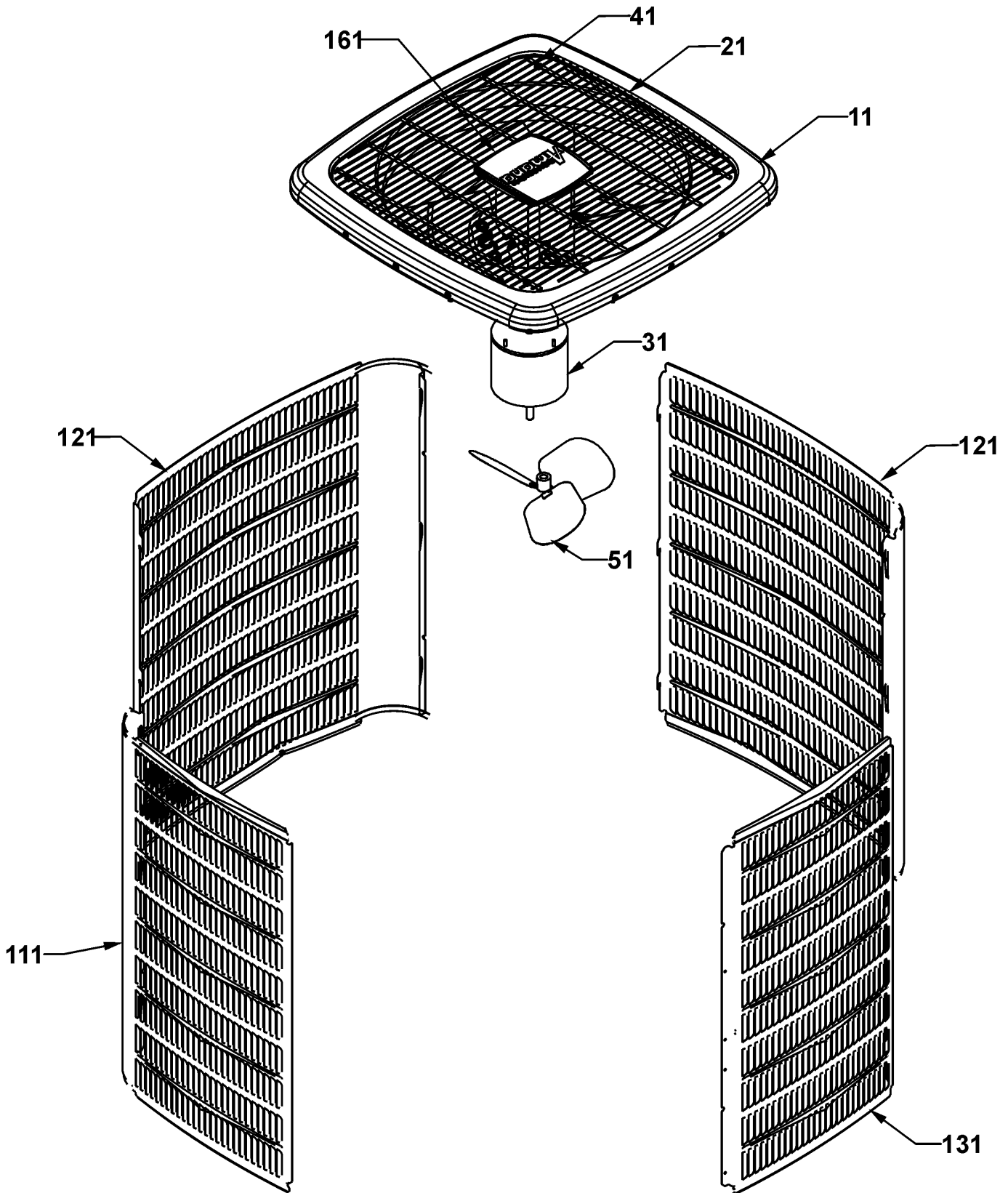
# Compressor / Tubing Assembly



# Compressor / Tubing Assembly

Ref. Part No:	Description:	Ref. Part No:	Description:
<b>Image 1:</b>		<b>Expanded Model Nomenclature</b>	
11	0201R00005P COIL TUBING ASSEMBLY (M8, M9, M10)	M1	- ASX160241AA
11	0201R00038 COIL TUBING ASSEMBLY (M1, M2, M3, M4)	M2	- ASX160241AB
11	0201R00047 COIL TUBING ASSEMBLY (M14, M15, M16, M17, M18, M19, M20, M21)	M3	- ASX160241AC
11	0201R00236 COIL TUBING ASSEMBLY (M6, M7)	M4	- ASX160241BA
11	0201R00296 COIL TUBING ASSEMBLY (M5, M11)	M5	- ASX160241CA
11	0201R00311 COIL TUBING ASSEMBLY (M12, M13)	M6	- ASX160311AA
21	0151R00078 BASE VALVE 3/8"	M7	- ASX160311AB
31	0151R00079 BASE VALVE 3/4" (M1, M2, M3, M4, M5, M8, M9, M10, M11)	M8	- ASX160361AA
31	0151R00080 BASE VALVE 7/8" (M6, M7, M12, M13, M14, M15, M16, M17, M18, M19, M20, M21)	M9	- ASX160361AB
51	ZP24K5EPFV130 COMP,24000,208/230/60/1 (M6, M7)	M10	- ASX160361AC
51	ZP31K6EPFV130 COMP,42500,208/230/60/1 (M12, M13)	M11	- ASX160361CA
51	ZPS20K4EPFV230 COMPRESSOR 20000, 208/230/60/1/2STG (M1, M2, M3, M4, M5)	M12	- ASX160371AA
51	ZPS30K4EPFV230 COMPRESSOR 30000, 208/230/60/1/2STG (M8, M9, M10, M11)	M13	- ASX160371AB
51	ZPS40K4EPFV230 COMPRESSOR 40000, 208/230/60/1/2STG (M14, M15, M16, M17)	M14	- ASX160481AA
51	ZPS51K4EPFV230 COMPRESSOR 52000, 208/230/60/1/2STG (M18, M19, M20, M21)	M15	- ASX160481AB
81	0160M00005 COMPRESSOR SOUND BLANKET (M1, M2, M3, M4, M5, M8, M9, M10, M11, M14, M15, M16, M17, M18, M19, M20, M21)	M16	- ASX160481AC
81	B1488807 COMPRESSOR SOUND BLANKET (M6, M7, M12, M13)	M17	- ASX160481BA
111	0130M00005P WIRE HARNESS, COMPR SOLENOID (M1, M2, M3, M4, M5, M8, M9, M10, M11, M14, M15, M16, M17, M18, M19, M20, M21)	M18	- ASX160601AA
121	0162R00009 FILTER DRIER	M19	- ASX160601AB
131	0130M00082 LOW PRESSURE SWITCH (M6, M7, M12, M13)	M20	- ASX160601AC
131	0130M00086 LOW PRESSURE SWITCH (M21)	M21	- ASX160601BA
131	0130R00001 LOW PRESSURE SWITCH (M1, M2, M3, M5, M8, M9, M10, M11, M14, M15, M16, M18, M19, M20)		
131	0130R00002 LOW PRESSURE SWITCH (M4, M17)		
141	0130R00003 HIGH PRESSURE SWITCH (M4, M17)		
141	0130R00056 HIGH PRESSURE SWITCH (M6, M7, M12, M13)		
NS	0159R00001P COMPRESSOR SCROLL HARNESS (M6, M7)		
NS	0159R00002P COMPRESSOR SCROLL HARNESS (M12, M13)		
NS	B1789872 FLOW CHECK PISTON KIT (M12, M13)		
NS	B1789865 FLOW CHECK PISTON KIT .065 (M6, M7)		
NS	B1339533 GROMMET, COMPRESSOR (QTY 4)		
NS	M0221641 SCREW-SHOULDER TF (QTY 4)		

# Cabinet Top / Side Panels



# Cabinet Top / Side Panels

Ref. Part No:	Ref. Part No:	Description:	Ref. Part No:	Description:	
<b>Image 1:</b>			<b>Image 1:</b>		
11	4400055PDG	PANEL, TOP, VENTURI 26", PNT (M1)	121	4400466PLGB	LOUVERED SIDE PANEL (M16, M17, M20, M21)
11	4400058PDG	PANEL, TOP, VENTURI 29", PNT (M8)	121	4400407PLGB	PANEL, LOUVER SIDE - HORIZONTAL (M3, M4)
11	4400094PDG	PANEL, TOP, VENTURI 35", PNT (M14, M18)	121	4400460PLGB	PANEL, LOUVER SIDE - HORIZONTAL (M10)
11	0121R00576PDG	TOP PANEL PAINTED, 29" (M6, M7)	121	4400133PLG	PANEL, LOUVER SIDE - VERTICAL (M8)
11	0121R00009PDG	VENTURI TOP PANEL 26" (M2, M3, M4)	121	4400140PLG	PANEL, LOUVER SIDE - VERTICAL (M14, M18)
11	0121R00011PDG	VENTURI TOP PANEL 29" (M5, M9, M10, M11)	131	0121R00021PLG	LOUVERED SIDE PANEL [RT OF CNTL PNL] (M2)
11	0121R00013PDG	VENTURI TOP PANEL 35" (M12, M13, M15, M16, M17, M19, M20, M21)	131	0121R00039PLG	LOUVERED SIDE PANEL [RT OF CNTL PNL] (M9)
21	0152R00010	GRILLE, WIRE 26" TOP (M1, M2, M3, M4)	131	0121R00051PLG	LOUVERED SIDE PANEL [RT OF CNTL PNL] (M15, M19)
21	0152R00011	GRILLE, WIRE 29" TOP (M5, M8, M9, M10, M11)	131	0121R00193PLG	LOUVERED SIDE PANEL [RT OF CNTL PNL] (M5, M11)
21	0152R00015	GRILLE, WIRE 29" TOP (M6, M7)	131	0121R00195PLG	LOUVERED SIDE PANEL [RT OF CNTL PNL] (M6, M7)
21	0152R00014	GRILLE, WIRE 35" TOP (M12, M13, M14, M15, M16, M17, M18, M19, M20, M21)	131	0121R00247PLG	LOUVERED SIDE PANEL [RT OF CNTL PNL] (M12, M13)
31	0131M00114	COND MOTOR 1/12 HP, 2 SP, 8 PL (M4)	131	4400135PLG	LOUVERED SIDE PANEL [RT OF CNTL PNL] (M8)
31	0131M00060	COND MOTOR 1/6 HP, 1 SP, 8 PL (M6, M12)	131	4400142PLG	LOUVERED SIDE PANEL [RT OF CNTL PNL] (M14, M18)
31	0131M00013P	COND MOTOR 1/6 HP, 2 SP, 8 PL (M5)	131	4400155PLG	LOUVERED SIDE PANEL [RT OF CNTL PNL] (M1)
31	0131M00038	COND MOTOR 1/6 HP, 2 SP, 8 PL (M8, M9, M10, M14, M15, M16, M18, M19, M20)	131	4400412PLG	LOUVERED SIDE PANEL [RT OF CNTL PNL] (M3, M4)
31	0131M00115	COND MOTOR 1/6 HP, 2 SP, 8 PL (M17, M21)	131	4400462PLG	LOUVERED SIDE PANEL [RT OF CNTL PNL] (M10)
31	0131M00039	MOTOR, 1/12HP 2SP 8PL (M1, M2, M3)	131	4400468PLG	LOUVERED SIDE PANEL [RT OF CNTL PNL] (M16, M17, M20, M21)
31	0131M00753	MOTOR, 1/6HP, 1SP, 8PL, AL (M7, M13)			
31	0131M00017P	MOTOR, FAN 1/6 HP, 8 PL, 2 SP (M11)	161	0161R00008P	CAP, AMANA LOGO
41	B1393530	SCREW HWH, 10 X 1/2, A, YZD, SLOT, SR (M1, M8, M14, M18)	NS	0161R00000P	CONDUIT (M1, M2, M3, M4)
41	0163M00003P	SCREW, #10 X 1/2, A, SLOT, SR, BLK (M2, M3, M4, M5, M6, M7, M9, M10, M11, M12, M13, M15, M16, M17, M19, M20, M21)	NS	0161R00002P	CONDUIT (M5, M6, M7, M8, M9, M10, M11)
51	0150M00001P	FAN BLADE 20 INCH (M1, M2, M3, M4)	NS	0161R00004P	CONDUIT (M12, M13, M14, M15, M16, M17, M18, M19, M20, M21)
51	0150M00008	FAN BLADE 22" TNT2203-25 (M5, M9, M10)	NS	B1778800	CONDUIT-1/2" PVC
51	10625738	FAN BLADE 26" ALUM CCW (M12, M13, M14, M15, M16, M17, M18, M19, M20, M21)	NS	M0280801	HEX NUT - TOP (QTY 4)
51	B1086764	FAN BLADE TYPE 2 (M6, M7, M8, M11)	NS	0161R00048	MOLDED RING-VENTURI 22 (M6, M7)
111	0121R00015PLGB	LOUVERED SIDE PANEL [LT OF CNTL PNL] (M2)			
111	0121R00027PLG	LOUVERED SIDE PANEL [LT OF CNTL PNL] (M9)			
111	0121R00043PLG	LOUVERED SIDE PANEL [LT OF CNTL PNL] (M15, M19)			
111	0121R00200PLGB	LOUVERED SIDE PANEL [LT OF CNTL PNL] (M5, M11)			
111	0121R00203PLGB	LOUVERED SIDE PANEL [LT OF CNTL PNL] (M6, M7)			
111	0121R00239PLGB	LOUVERED SIDE PANEL [LT OF CNTL PNL] (M12, M13)			
111	4400131PLG	LOUVERED SIDE PANEL [LT OF CNTL PNL] (M8)			
111	4400138PLG	LOUVERED SIDE PANEL [LT OF CNTL PNL] (M14, M18)			
111	4400145PLG	LOUVERED SIDE PANEL [LT OF CNTL PNL] (M1)			
111	4400402PLG	LOUVERED SIDE PANEL [LT OF CNTL PNL] (M3, M4)			
111	4400458PLG	LOUVERED SIDE PANEL [LT OF CNTL PNL] (M10)			
111	4400464PLG	LOUVERED SIDE PANEL [LT OF CNTL PNL] (M16, M17, M20, M21)			
121	0121R00018PLGB	LOUVERED SIDE PANEL (M2)			
121	0121R00033PLGB	LOUVERED SIDE PANEL (M9)			
121	0121R00047PLGB	LOUVERED SIDE PANEL (M15, M19)			
121	0121R00204PLGB	LOUVERED SIDE PANEL (M5, M11)			
121	0121R00206PLGB	LOUVERED SIDE PANEL (M6, M7)			
121	0121R00243PLGB	LOUVERED SIDE PANEL (M12, M13)			
121	4400150PLG	LOUVERED SIDE PANEL (M1)			

# Cabinet Top / Side Panels

Ref. Part

No: No:

Description:

Ref. Part

No: No:

Description:

---

## Expanded Model Nomenclature

M1 - ASX160241AA  
M2 - ASX160241AB  
M3 - ASX160241AC  
M4 - ASX160241BA  
M5 - ASX160241CA  
M6 - ASX160311AA  
M7 - ASX160311AB  
M8 - ASX160361AA  
M9 - ASX160361AB  
M10 - ASX160361AC  
M11 - ASX160361CA  
M12 - ASX160371AA  
M13 - ASX160371AB  
M14 - ASX160481AA  
M15 - ASX160481AB  
M16 - ASX160481AC  
M17 - ASX160481BA  
M18 - ASX160601AA  
M19 - ASX160601AB  
M20 - ASX160601AC  
M21 - ASX160601BA