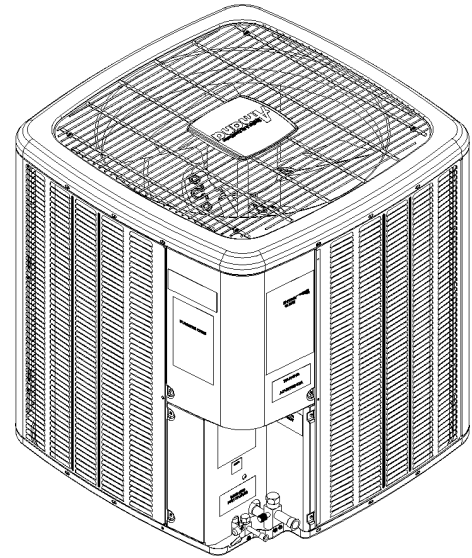


ASX16 Remote Condensing Unit

ASX160181FC
ASX160241FE
ASX160301FD
ASX160301FE
ASX160311AC
ASX160361FC
ASX160421FC
ASX160481FC
ASX160481FD
ASX160481FE
ASX160601FD
ASX160611FC
ASX160611FD



Amana® is a registered trademark of Maytag Corporation or its related companies and is used under license. All rights reserved.

This manual is to be used by qualified technicians only.

This manual replaces RP-A4312A.
Updated from September 2021

Important Information

Index

Functional Parts List	3
Illustration and Parts	4 - 9

Views shown are for parts illustrations only, not servicing procedures.

Text Codes:

AR - As Required

NA - Not Available

NS - Not Shown

00000000 - See Note

QTY - Quantity Example (QTY 3) (If Quantity not shown, Quantity = 1)

M - Model Example (M1) (If M Code not shown, then part is used on all Models)

Expanded Model Nomenclature:

Example
M1 - Model#1
M2 - Model#2
M3 - Model#3

Goodman Company, L.P. is not responsible for personal injury or property damage resulting from improper service. Review all service information before beginning repairs.

Warranty service must be performed by an authorized technician, using authorized factory parts. If service is required after the warranty expires, Goodman Company, L.P. also recommends contacting an authorized technician and using authorized factory parts.

Goodman Company, L.P. reserves the right to discontinue, or change at any time, specifications or designs without notice or without incurring obligations.

For assistance within the U.S.A. contact:

Homeowner Support
Goodman Company, L.P.
19001 Kermier Road
Waller, Texas 77484
877-254-4729-Telephone
713-863-2382-Facsimile

For assistance outside the U.S.A. contact:

International Division
Goodman Company, L.P.
19001 Kermier Road
Waller, Texas 77484
713-861-2500-Telephone
713-863-2382-Facsimile

Functional Parts

Part

No: Description:

0151R00182	BALL VALVE 7/8" (M8, M9, M10, M11, M12, M13)
0151R00185	BASE VALVE 3/4" (M1, M2)
0151R00187	BASE VALVE 3/8"
0151R00186	BASE VALVE 7/8" (M3, M4, M5, M6, M7)
CAP050350440CS	CAP, 5/35 MFD/440V/DUAL RD (M2)
CAP050400440CT	CAP, 5/40 MFD/440V/DUAL RD (M3, M4, M5)
CAP050450440CT	CAP, 5/45 MFD/440V/DUAL RD (M6, M7, M8, M9, M10)
CAP050700440CT	CAP, 5/70 MFD/440V/DUAL RD (M11, M12, M13)
CAP050300440CS	CAP,5/30MFD/440V/DUAL RD (M1)
ZP14K5EPFV130	COMP, 14650,208/230/60/1 (M1)
ZP20K5EPFV130	COMP,20000,208/230/60/1 (M2)
ZP24K5EPFV130	COMP,24000,208/230/60/1 (M3, M4, M5)
ZP29K5EPFV130	COMP,29000,208/230/60/1 (M6)
ZP34K5EPFV130	COMP,34500,208/230/60/1 (M7)
ZP36K5EPFV130	COMP,36200,208/230/60/1 (M8, M9, M10)
ZP44K5EPFV130	COMP,44400,280/230/60/1 (M11)
ZP49K5EPFV130	COMP,49400,208/230/60/1 (M12, M13)
CONT1P030024V	CONT, 1 POLE, 30 AMP, 24 VAC
571006600	CoreSense Module
0130R00056	CUT-OUT SWITCH, HIGH PRESSURE
0131M00761	ECM MOTOR - PROGRAMMED (IGBT) (M11)
0131M00968	MOTOR, 1/4HP, 1SP, 8PL, AL (M10, M13)
0131M00807	MOTOR, 1/4HP,1SP,8PL,AL (M8, M9, M12)
0131M00753	MOTOR, 1/6HP, 1SP, 8PL, AL (M3, M7)
0131M00971	MOTOR, 1/6HP, 1SP, 8PL, AL (M1, M2, M4, M5, M6)

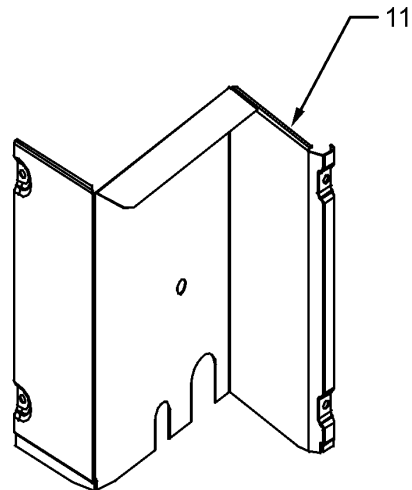
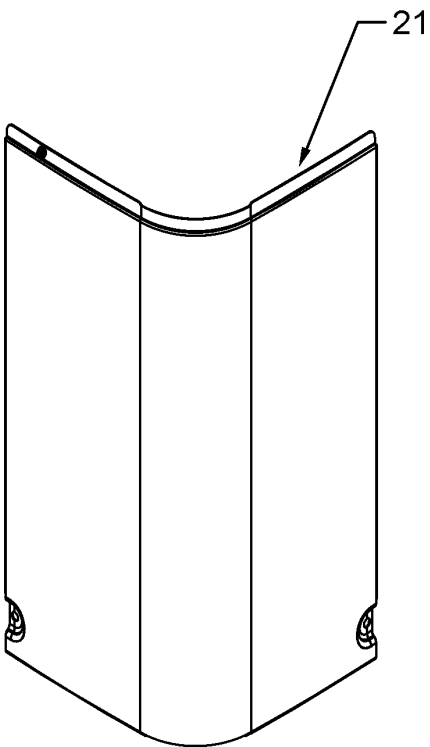
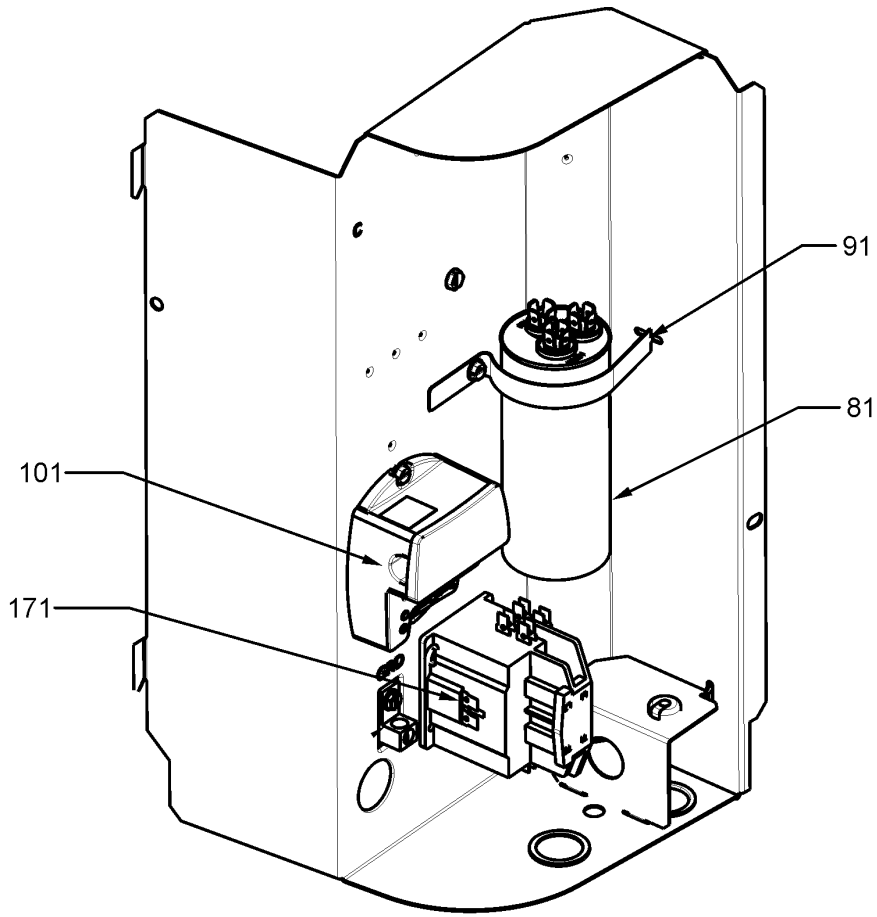
SPECIAL PARTS

0161R00086	CAP, GRILL
B1393024	LOCK NUT (M11)
0161R00087	NAMEPLATE, AMANA LOGO
B1393804	NYLON LOCKNUT, .31 - 18 (M11)
0163M00004	SCREW,#10X3/4",BLK (M5)

Expanded Model Nomenclature

M1 - ASX160181FC
M2 - ASX160241FE
M3 - ASX160301FD
M4 - ASX160301FE
M5 - ASX160311AC
M6 - ASX160361FC
M7 - ASX160421FC
M8 - ASX160481FC
M9 - ASX160481FD
M10 - ASX160481FE
M11 - ASX160601FD
M12 - ASX160611FC
M13 - ASX160611FD

Control Box Assembly



Control Box Assembly

Ref. Part No:	No:	Description:	Ref. Part No:	No:	Description:
---------------	-----	--------------	---------------	-----	--------------

Image 1:

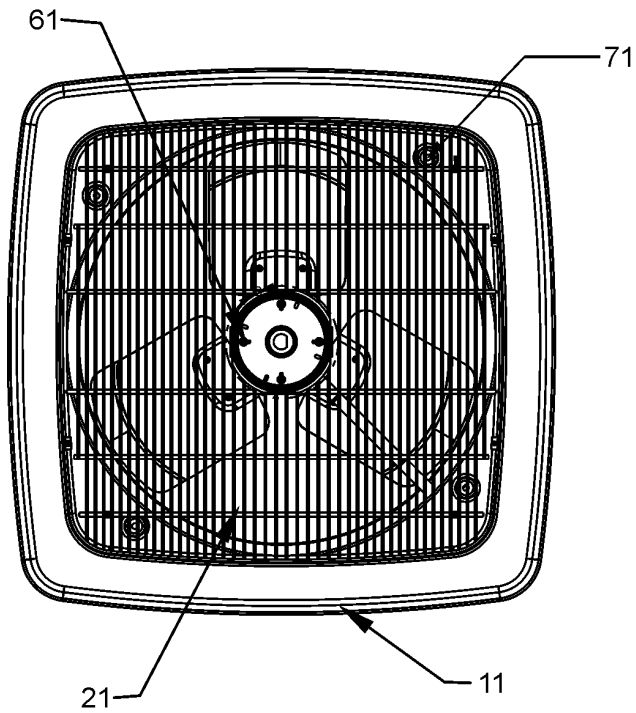
11	0121R00909PDG	PNL, LWR ACCESS (M5, M6, M8, M9, M10, M12, M13)
11	0121R00912PDG	PNL, LWR ACCESS (M3, M4, M7)
11	0121R00919PDG	PNL, LWR ACCESS (M1, M2)
21	0121R00937PDG	CONTROL COVER, PNT
71	CONT1P030024V	CONT, 1 POLE, 30 AMP, 24 VAC
81	CAP050350440CS	CAP, 5/35 MFD/440V/DUAL RD (M2)
81	CAP050400440CT	CAP, 5/40 MFD/440V/DUAL RD (M3, M4, M5)
81	CAP050450440CT	CAP, 5/45 MFD/440V/DUAL RD (M6, M7, M8, M9, M10)
81	CAP050700440CT	CAP, 5/70 MFD/440V/DUAL RD (M11, M12, M13)
81	CAP050300440CS	CAP,5/30MFD/440V/DUAL RD (M1)
91	4400065	CAPACITOR STRAP
101	571006600	CoreSense Module
NS	0161R00087	NAMEPLATE, AMANA LOGO

Expanded Model Nomenclature

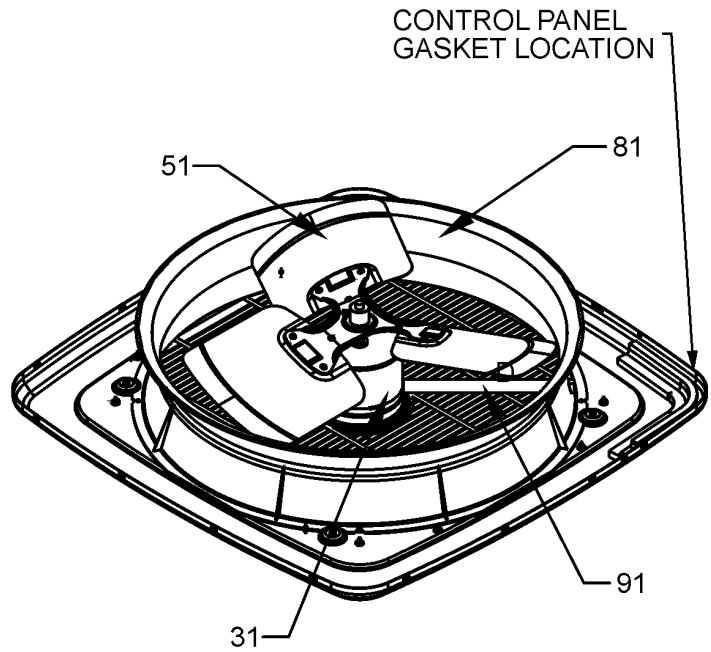
- | |
|-------------------|
| M1 - ASX160181FC |
| M2 - ASX160241FE |
| M3 - ASX160301FD |
| M4 - ASX160301FE |
| M5 - ASX160311AC |
| M6 - ASX160361FC |
| M7 - ASX160421FC |
| M8 - ASX160481FC |
| M9 - ASX160481FD |
| M10 - ASX160481FE |
| M11 - ASX160601FD |
| M12 - ASX160611FC |
| M13 - ASX160611FD |

Cabinet Top Assembly

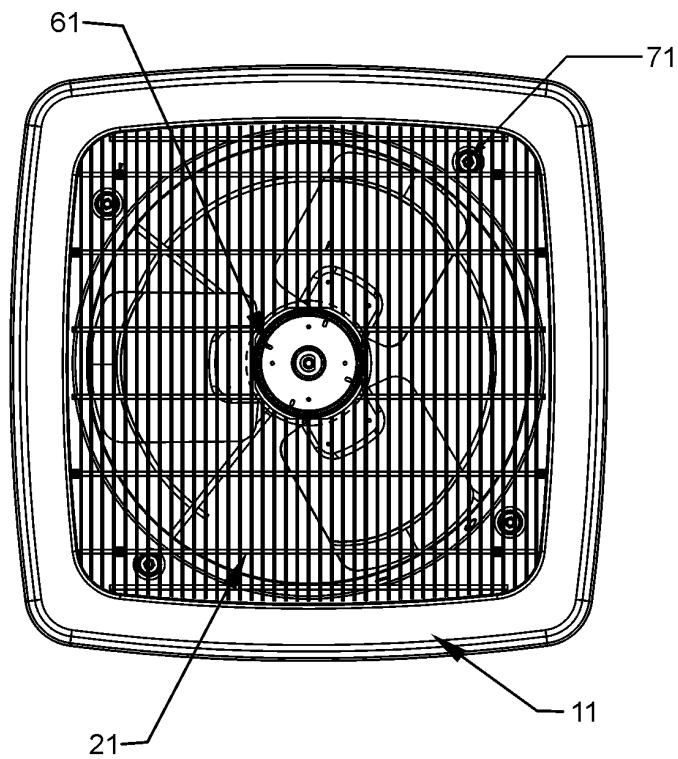
TOP VIEW



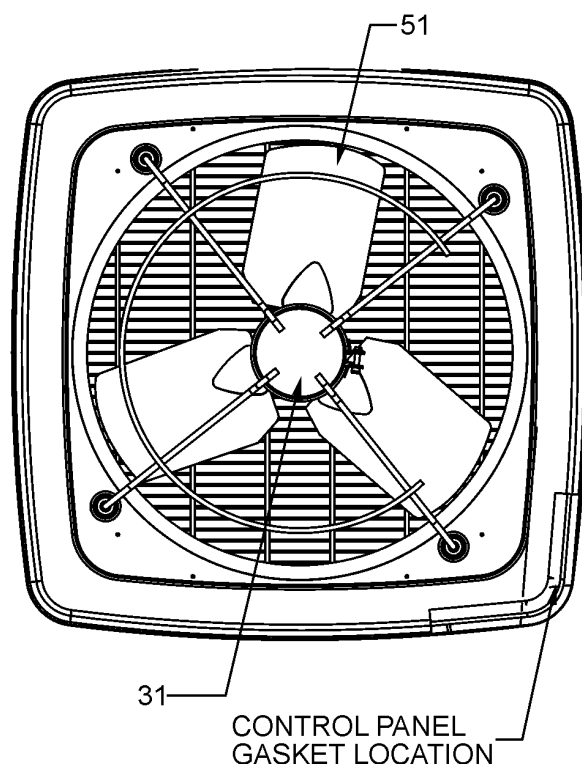
BOTTOM VIEW



TOP VIEW



BOTTOM VIEW



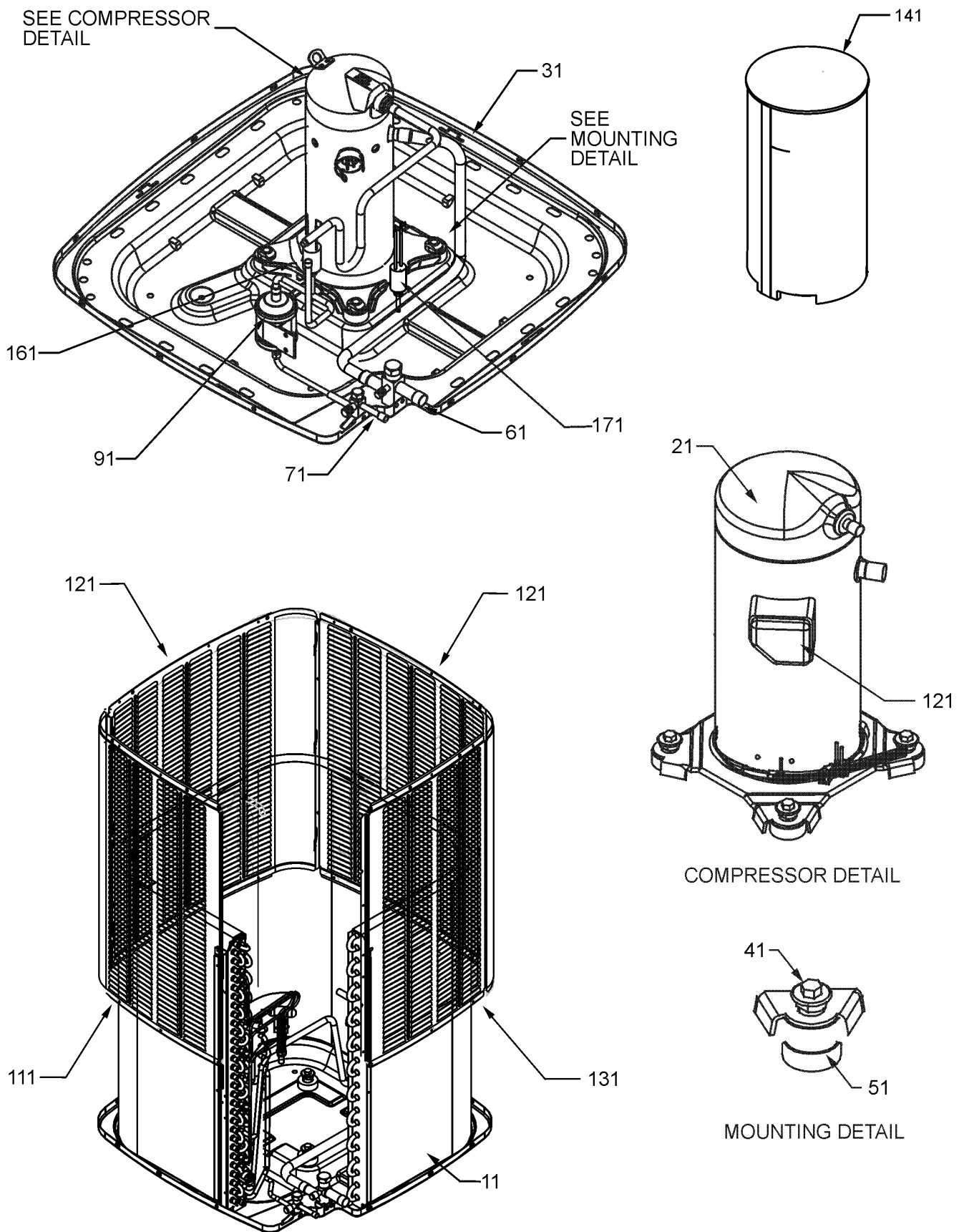
Cabient Top Assembly

Ref. Part No:	No:	Description:	Ref. Part No:	No:	Description:
Image 1:					
11	0121R00576	TOP PANEL, GRILL/VENTURI MNT (M5)			
11	0121R00011PDG	TOP PANEL, VENTURI 29" PNT (M1, M2, M3, M4, M6)			
11	0121R00013PDG	TOP PANEL, VENTURI 35" PNT (M7, M8, M9, M10, M11, M12, M13)			
21	0152R00015	GRILLE, WIRE 29" TOP (M1, M2, M3, M4, M5, M6)			
21	0152R00016	GRILLE, WIRE 35" TOP (M7, M8, M9, M10, M11, M12, M13)			
31	0131M00761	ECM MOTOR - PROGRAMMED (IGBT) (M11)			
31	0131M00968	MOTOR, 1/4HP, 1SP, 8PL, AL (M10, M13)			
31	0131M00807	MOTOR, 1/4HP, 1SP, 8PL, AL (M8, M9, M12)			
31	0131M00753	MOTOR, 1/6HP, 1SP, 8PL, AL (M3, M7)			
31	0131M00971	MOTOR, 1/6HP, 1SP, 8PL, AL (M1, M2, M4, M5, M6)			
51	0150M00010	BLADE-FAN 26" ALUM CCW (M11)			
51	0150M00008	FAN BLADE, 22" TNT2203-25 (M1, M2, M3, M4, M5, M6)			
51	0150M00066	FAN BLADE, 26" (M7, M8, M9, M10, M12, M13)			
61	M0280801	HEX NUT (M1, M2, M3, M4, M5, M6, M7, M8, M9, M10, M12, M13)			
71	0163M00003P	SCREW #10 X 1/2, A, SLOT, SR, BLACK (QTY 8)			
81	0161R00048	MOLDED RING-VENTURI 22 (M5)			
91	0161R00002P	CONDUIT (M1, M2, M3, M4, M5, M6)			
91	0161R00004P	CONDUIT (M7, M8, M9, M10, M12, M13)			
NS	0121R00003	BRACKET, MOTOR MOUNT (M11)			
NS	0161R00086	CAP, GRILL			
NS	0154R00045	GASKET, CONTROL PANEL			
NS	B1393024	LOCK NUT (M11)			
NS	B1393804	NYLON LOCKNUT, .31 - 18 (M11)			
NS	0163M00004	SCREW, #10X3/4", BLK (M5)			

Expanded Model Nomenclature

M1 - ASX160181FC
M2 - ASX160241FE
M3 - ASX160301FD
M4 - ASX160301FE
M5 - ASX160311AC
M6 - ASX160361FC
M7 - ASX160421FC
M8 - ASX160481FC
M9 - ASX160481FD
M10 - ASX160481FE
M11 - ASX160601FD
M12 - ASX160611FC
M13 - ASX160611FD

Compressor, Tubing & Side Panel Assy



Compressor, Tubing & Side Panel Assy

Ref. Part No: No:	Description:	Ref. Part No: No:	Description:
Image 1:		Image 1:	
11	0201R00434	NS	B1789865 FLOW CHECK PISTON KIT (M3, M4, M5)
11	0201R00296	NS	B1789872 FLOW CHECK PISTON KIT (M6)
11	0201R00236	NS	B1789874 FLOW CHECK PISTON KIT (M7)
11	0201R00311	NS	B1789878 FLOW CHECK PISTON KIT (M8, M9, M10)
11	0201R00433	NS	B1789886 FLOW CHECK PISTON KIT (M11)
11	0201R00750	NS	B1789888 FLOW CHECK PISTON KIT (M12, M13)
21	ZP14K5EPFV130	Expanded Model Nomenclature	
21	ZP20K5EPFV130	M1 - ASX160181FC	
21	ZP24K5EPFV130	M2 - ASX160241FE	
21	ZP29K5EPFV130	M3 - ASX160301FD	
21	ZP34K5EPFV130	M4 - ASX160301FE	
21	ZP36K5EPFV130	M5 - ASX160311AC	
21	ZP44K5EPFV130	M6 - ASX160361FC	
21	ZP49K5EPFV130	M7 - ASX160421FC	
31	0121R00006PDG	M8 - ASX160481FC	
31	0121R00007PDG	M9 - ASX160481FD	
41	M0221641	M10 - ASX160481FE	
51	B1339533	M11 - ASX160601FD	
61	0151R00182	M12 - ASX160611FC	
61	0151R00185	M13 - ASX160611FD	
61	0151R00186		
71	0151R00187		
91	0162R00057		
111	0121R00200PLGB		
111	0121R00202PLGB		
111	0121R00203PLGB		
111	0121R00240PLGB		
111	0121R00239PLGB		
111	4400464PLG		
121	0121R00204PLGB		
121	0121R00205PLGB		
121	0121R00206PLGB		
121	0121R00244PLGB		
121	0121R00243PLGB		
121	4400466PLG		
131	0121R00193PLGB		
131	0121R00194PLGB		
131	0121R00195PLGB		
131	0121R00248PLGB		
131	0121R00247PLGB		
131	4400468PLG		
141	0160M00035		
141	0160M00039		
151	0159R00002P		
151	0159R00001P		
151	0159R00017		
161	0130R00056		
171	0130M00082		
171	0130M00347		
NS	B1789849		
NS	B1789857		