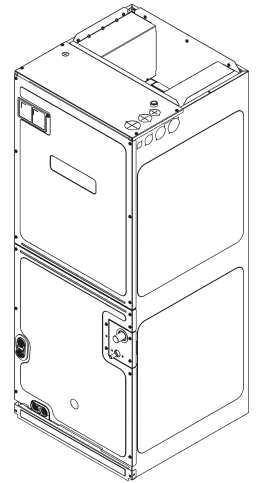


REPAIR PARTS

ASPT Air Handler

ASPT33C14BA
ASPT33C14BB
ASPT39C14BA
ASPT39C14BB
ASPT47C14BA



This manual is to be used by qualified technicians only.

This manual replaces RP-4324

© 2018 , 2023 Goodman Manufacturing Company, L.P. ♦ 5151 San Felipe St, Suite 500 ♦ Houston, TX 77056

Important Information

Index

Functional Parts List	3
Illustration and Parts	4 - 9

Views shown are for parts illustrations only, not servicing procedures.

Text Codes:

AR - As Required

NA - Not Available

NS - Not Shown

00000000 - See Note

QTY - Quantity Example (QTY 3) (If Quantity not shown, Quantity = 1)

M - Model Example (M1) (If M Code not shown, then part is used on all Models)

Expanded Model Nomenclature:

Example M1 - Model#1 M2 - Model#2 M3 - Model#3

Goodman Manufacturing Company, L.P. is not responsible for personal injury or property damage resulting from improper service. Review all service information before beginning repairs.

Warranty service must be performed by an authorized technician, using authorized factory parts. If service is required after the warranty expires, Goodman Manufacturing Company, L.P. also recommends contacting an authorized technician and using authorized factory parts.

Goodman Manufacturing Company, L.P. reserves the right to discontinue, or change at any time, specifications or designs without notice or without incurring obligations.

For assistance within the U.S.A. contact:
Homeowner Support
Goodman Manufacturing Company, L.P.
19001 Kermier Road
Waller, Texas 77484
877-254-4729-Telephone
713-863-2382-Facsimile

For assistance outside the U.S.A. contact:
International Division
Goodman Manufacturing Company, L.P.
19001 Kermier Road
Waller, Texas 77484
713-861-2500-Telephone
713-863-2382-Facsimile

Functional Parts

Part

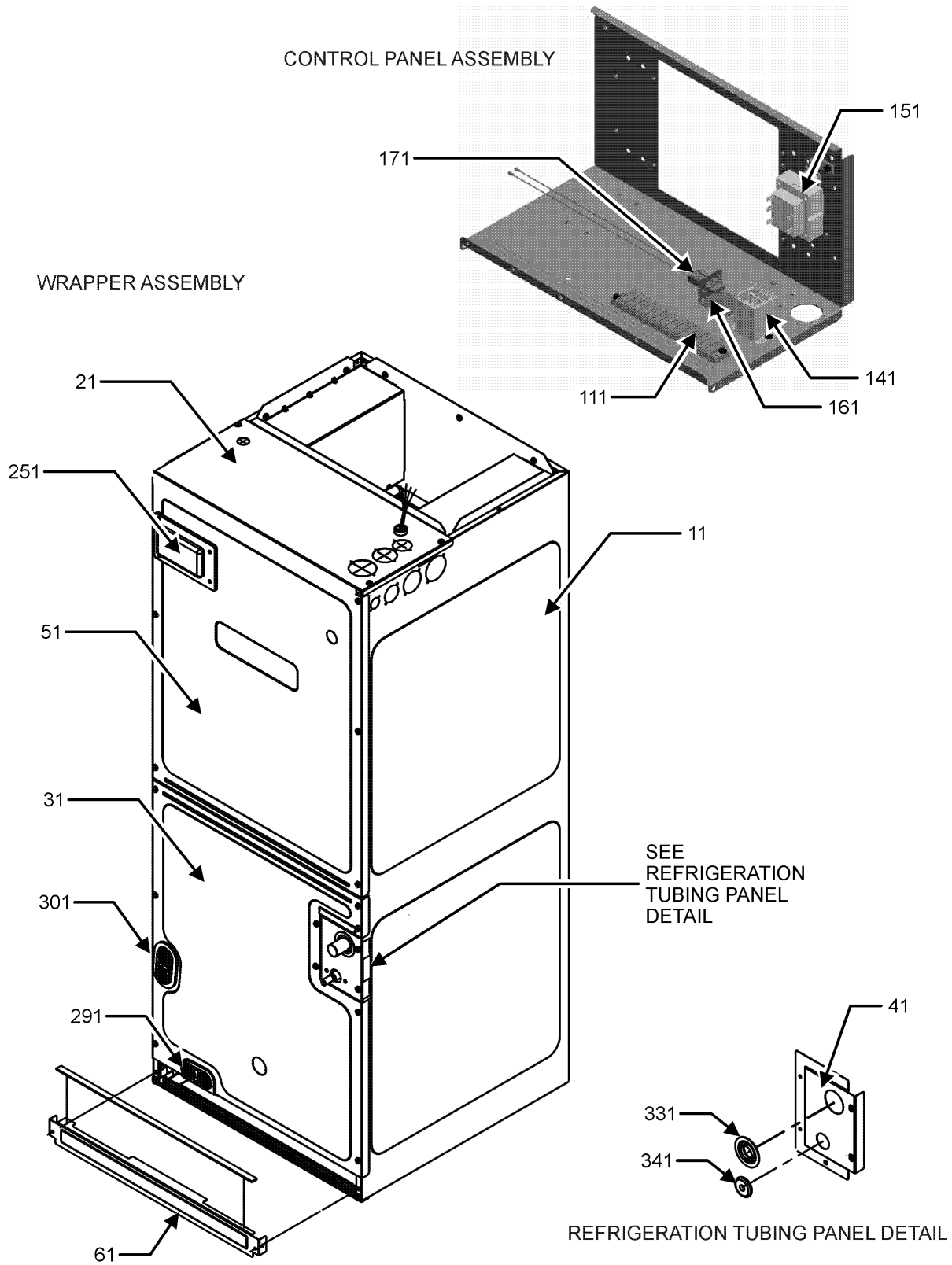
No: Description:

0131M00727	MOTOR 3/4 HP MOTOR PROGRAMMED (M5)
0131M00864	MOTOR, PROGRAMMED (M2, M4)
0131M00822	MOTOR, PROGRAMMED (M1, M3)
0130M00129	RELAY, WCK
0130M00138	TRANSFORMER, 208/230, 24V
0151R00199	VALVE, TXV R-410/A (M5)
0151M00066	VALVE, TXV R-410A BOOSTER CHG (M3, M4)
0151M00065	VALVE, TXV R-410A BOOSTER CHG (M1, M2)
0150M00059	WHEEL, BLOWER (M5)
0150M00043	WHEEL, BLOWER (10 X 8) (M1, M2, M3, M4)

Expanded Model Nomenclature

M1 - ASPT33C14BA
M2 - ASPT33C14BB
M3 - ASPT39C14BA
M4 - ASPT39C14BB
M5 - ASPT47C14BA

Cabinet and Control Box Assembly



Cabinet and Control Box Assembly

Ref. Part No:	Ref. Part No:	Description:	Description:
---------------	---------------	--------------	--------------

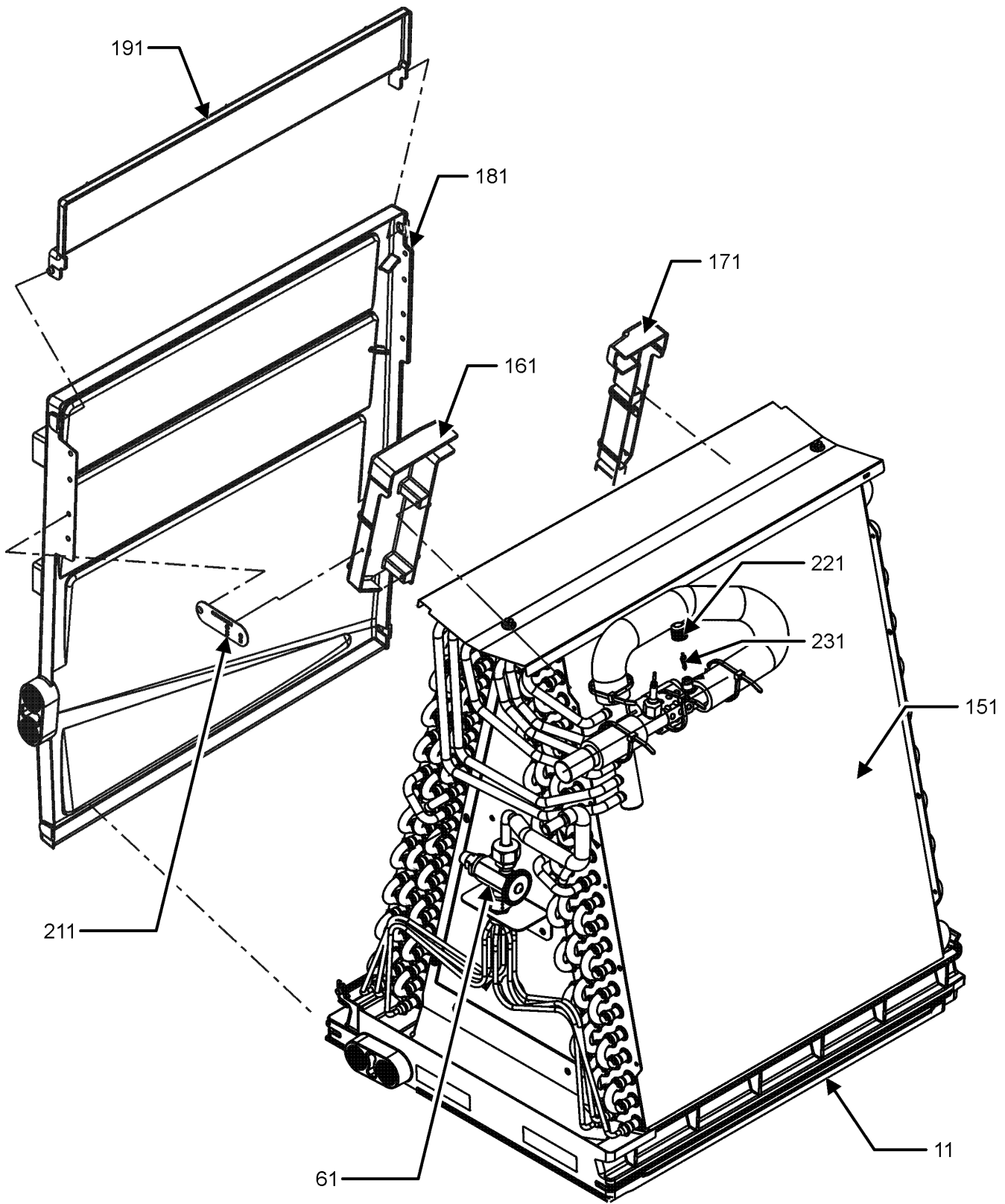
Image 1:

11	0121A00456PDG	WRAPPER (M5)
11	0121A01476PDG	WRAPPER, AIR HANDLER, PAINTED (M1, M2, M3, M4)
21	0121A01484PDG	PLATE, UPPER TIE, PAINTED
31	0121A00461PDG	LOWER ACCESS PANEL (M5)
31	0121A00619PDG	LOWER ACCESS PANEL, PAINTED (M1, M2, M3, M4)
41	0121A00658PDG	REFRIGERATION TUBING PANEL
51	0121A00834PDG	PANEL, UPPER ACCESS
61	0121A00243PDG	Panel, Filter Access, Ptd
111	0130M00020	TERMINAL BOARD
141	0130M00129	RELAY, WCK
151	0130M00138	TRANSFORMER, 208/230, 24V
161	0130M00277	FUSE HOLDER
171	0121A00811	BRACKET
251	0161A00073	CIRCUIT BREAKER COVER
291	0154A00006BL	Gasket, Drain Pan
301	0154A00007BL	Gasket, Drain Pan
331	B1392630	GROMMET
341	0164A00002	GROMMET
NS	0159A00004	SPIDER WIRE HARNESS
NS	0163A00026	THUMB SCREW (QTY 2)
NS	BT1392909	WASHER; SS RETAINING (QTY 2)
NS	0259A00012P	WIRE ASSY, 9 PIN FEMALE CONN.
NS	0259A00015P	WIRE ASSY, 9 PIN MALE CONN.
NS	0230M00001	X-13 LOW VOLTAGE WIRE HARNESS
NS	0230M00002	X-13 POWER HARNESS

Expanded Model Nomenclature

- | |
|------------------|
| M1 - ASPT33C14BA |
| M2 - ASPT33C14BB |
| M3 - ASPT39C14BA |
| M4 - ASPT39C14BB |
| M5 - ASPT47C14BA |

Coil Assembly



NOTE: COIL ASSEMBLY MAY DIFFER FROM WHAT IS SHOWN

Coil Assembly

Ref. Part No:	Ref. Part No:	Description:	Description:
---------------	---------------	--------------	--------------

Image 1:

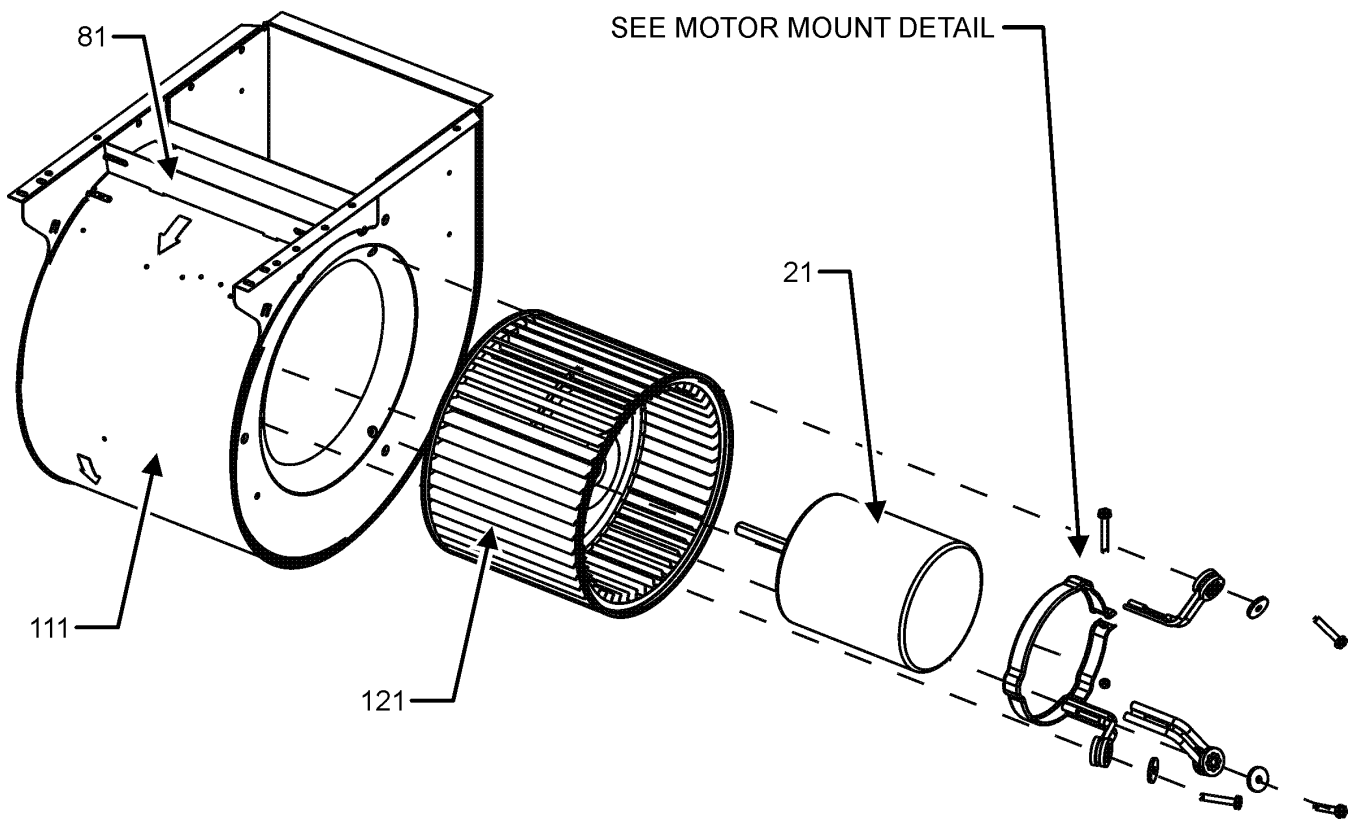
11	0161A00052	DRAINPAN, VERTICAL
61	0151R00199	VALVE, TXV R-410/A (M5)
61	0151M00065	VALVE, TXV R-410A BOOSTER CHG (M1, M2)
61	0151M00066	VALVE, TXV R-410A BOOSTER CHG (M3, M4)
151	0270A00906	COIL TUBING ASSEMBLY (M3, M4)
151	0270A01032	COIL TUBING ASSEMBLY (M5)
151	0270A01194	COIL TUBING ASSEMBLY (M1, M2)
161	0161A00060	CONDENSATE, COLLECT, FRONT
171	0161A00061	CONDENSATE, COLLECT, BACK
181	0161A00053	DRAIN PAN HORIZONTAL, TALL (M5)
181	0161A00055	DRAINING PAN HORIZONTAL, SMALL (M1, M2, M3, M4)
191	0161A00054	DRAIN PAN, EXTENSION, SMALL (M5)
191	0161A00056	DRAIN PAN, EXTENSION, TALL (M1, M2, M3, M4)
211	0121A00633	Bracket, Drip Shield (M5)
211	0121A00634	Bracket, Drip Shield (M1, M2, M3, M4)
221	0163M00175	CAP WITH O-RING
231	0151M00104	VALVE CORE
NS	BT1369063	90 DEGREE STUB

Expanded Model Nomenclature

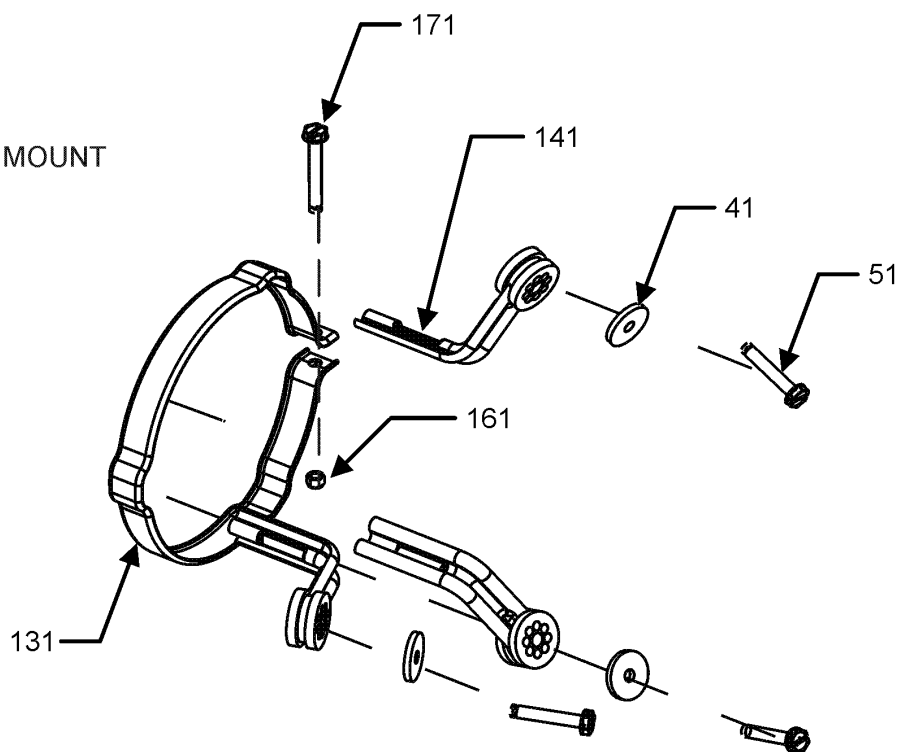
- | |
|------------------|
| M1 - ASPT33C14BA |
| M2 - ASPT33C14BB |
| M3 - ASPT39C14BA |
| M4 - ASPT39C14BB |
| M5 - ASPT47C14BA |

Blower Assembly

BLOWER ASSEMBLY



MOTOR MOUNT DETAIL



Blower Assembly

Ref. Part No:	No:	Description:	Ref. Part No:	No:	Description:
---------------	-----	--------------	---------------	-----	--------------

Image 1:

21	0131M00727	MOTOR 3/4 HP MOTOR PROGRAMMED (M5)
21	0131M00822	MOTOR, PROGRAMMED (M1, M3)
21	0131M00864	MOTOR, PROGRAMMED (M2, M4)
41	B1392918	WASHER, FLAT 1/4 ID X 1 OD (QTY 3)
51	M0250565	SCREW-TC 1.25" (QTY 3)
81	764741	BLOWER BLOCK-OFF 10 X 10 (M5)
81	764740	BLOWER BLOCK-OFF 10 X 8 (M1, M2, M3, M4)
111	0271A00016	BLOWER HOUSING ASSY 10 X 10 (M5)
111	0271A00029	BLOWER HOUSING ASSY 10 X 8 (M1, M2, M3, M4)
121	0150M00059	WHEEL, BLOWER (M5)
121	0150M00043	WHEEL, BLOWER (10 X 8) (M1, M2, M3, M4)
131	0121M00038	MOTOR MOUNT BAND (M1, M2, M3, M4)
131	0121M00039	MOTOR MOUNT BAND (HEAVY DUTY) (M5)
141	0171M00012	MOTOR MOUNT ARM (M1, M2, M3, M4)
141	0163M00538	MOUNT ARM, MOTOR (M5)
161	B1393800	LOCKNUT, NYLON, INSERT 1/4,20
171	0163M00320	HEX HEAD ALL THREAD TAP BOLT

Expanded Model Nomenclature

- M1 - ASPT33C14BA
- M2 - ASPT33C14BB
- M3 - ASPT39C14BA
- M4 - ASPT39C14BB
- M5 - ASPT47C14BA