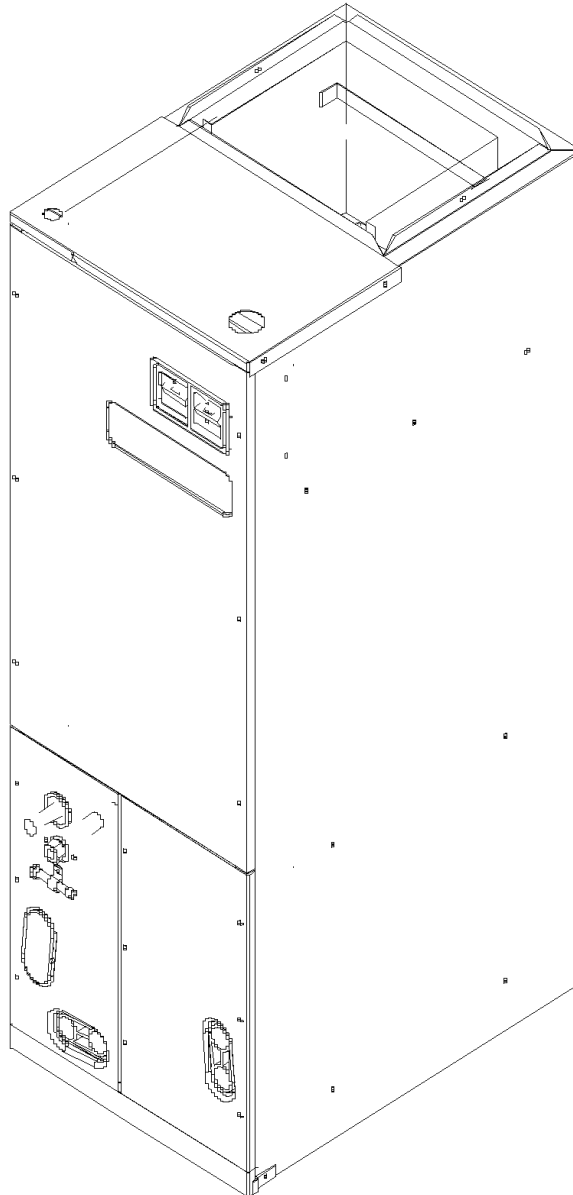


REPAIR PARTS

ASPF Air Handlers

ASPF183016AA
ASPF183016BA
ASPF303616AA
ASPF303616BA
ASPF313716AA
ASPF426016AA
ASPF426016BA



This manual is to be used by qualified technicians only.

This manual replaces RP-454D.

© 2007 - 2009, 2016 Goodman Manufacturing Company, L.P. ♦ 5151 San Felipe St., Suite 500 ♦ Houston, TX 77056

Important Information

Index

Functional Parts List	3
Illustration and Parts	4 - 7

Views shown are for parts illustrations only, not servicing procedures

Text Codes:

AR - As Required

NA - Not Available

NS - Not Shown

00000000 - See Note

QTY - Quantity Example (QTY 3) (If Quantity not shown, Quantity = 1)

M - Model Example (M1) (If M Code not shown, then part is used on all Models)

Expanded Model Nomenclature:

Example M1 - Model#1 M2 - Model#2 M3 - Model#3

Goodman Manufacturing Company, L.P. is not responsible for personal injury or property damage resulting from improper service. Review all service information before beginning repairs.

Warranty service must be performed by an authorized technician, using authorized factory parts. If service is required after the warranty expires, Goodman Manufacturing Company, L.P. also recommends contacting an authorized technician and using authorized factory parts.

Goodman Manufacturing Company, L.P. reserves the right to discontinue, or change at any time, specifications or designs without notice or without incurring obligations.

For assistance within the U.S.A. contact:
Homeowner Support
Goodman Manufacturing Company, L.P.
19001 Kermier Road
Waller, Texas 77484
877-254-4729-Telephone
713-863-2382-Facsimile

For assistance outside the U.S.A. contact:
International Division
Goodman Manufacturing Company, L.P.
19001 Kermier Road
Waller, Texas 77484
713-861-2500-Telephone
713-863-2382-Facsimile

Functional Parts

Part

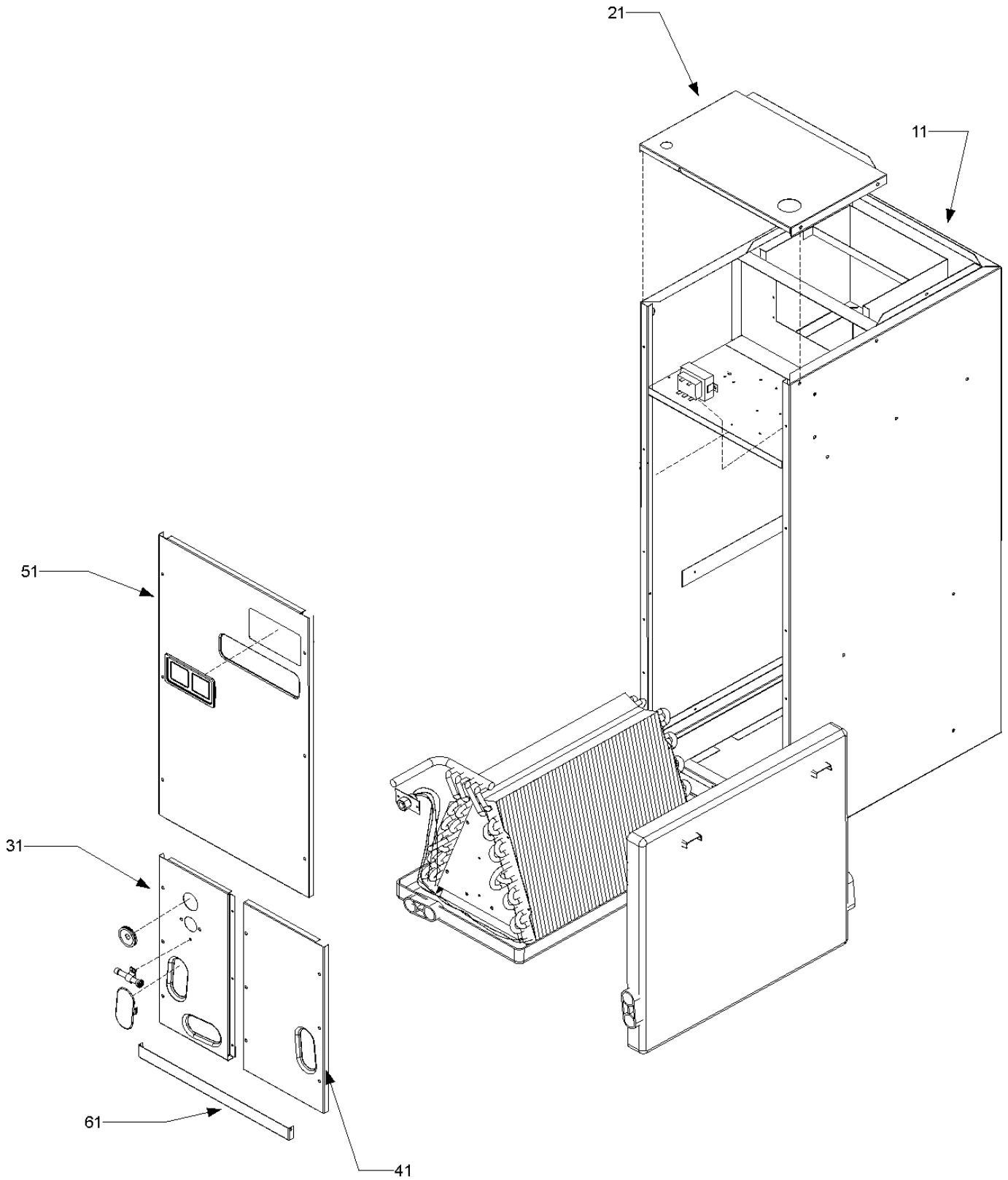
No: Description:

PCBFM131	ELECTRONIC BLOWER TIME DELAY (M1)
PCBFM103	ELECTRONIC BLOWER TIME DELAY (M3, M6)
0131M00105	MOTOR-1/2 HP PROGRAMMED X-13 (M2)
0131M00063	MOTOR-1/2 HP PROGRAMMED X-13 (M1)
0131M00073	MOTOR-3/4 HP PROGRAMMED X-13 (M6)
0131M00109	MOTOR-3/4 HP PROGRAMMED X-13 (M7)
0131M00107	MOTOR-3/4 HP PROGRAMMED X-13 (M4, M5)
0131M00065	MOTOR-3/4 HP PROGRAMMED X-13 (M3)
BT1256505	RELAY, WCK (M1, M3, M6)
0130M00129	RELAY, WCK (M2, M4, M5, M7)
0130M00020	TERMINAL BOARD (M1, M3, M4, M5, M6, M7)
0130M00138	TRANSFORMER 208/230, 24V

Expanded Model Nomenclature

M1 - ASPF183016AA
M2 - ASPF183016BA
M3 - ASPF303616AA
M4 - ASPF303616BA
M5 - ASPF313716AA
M6 - ASPF426016AA
M7 - ASPF426016BA

Cabinet



Cabinet

Ref. Part No: No:	Description:	Ref. Part No: No:	Description:
-------------------	--------------	-------------------	--------------

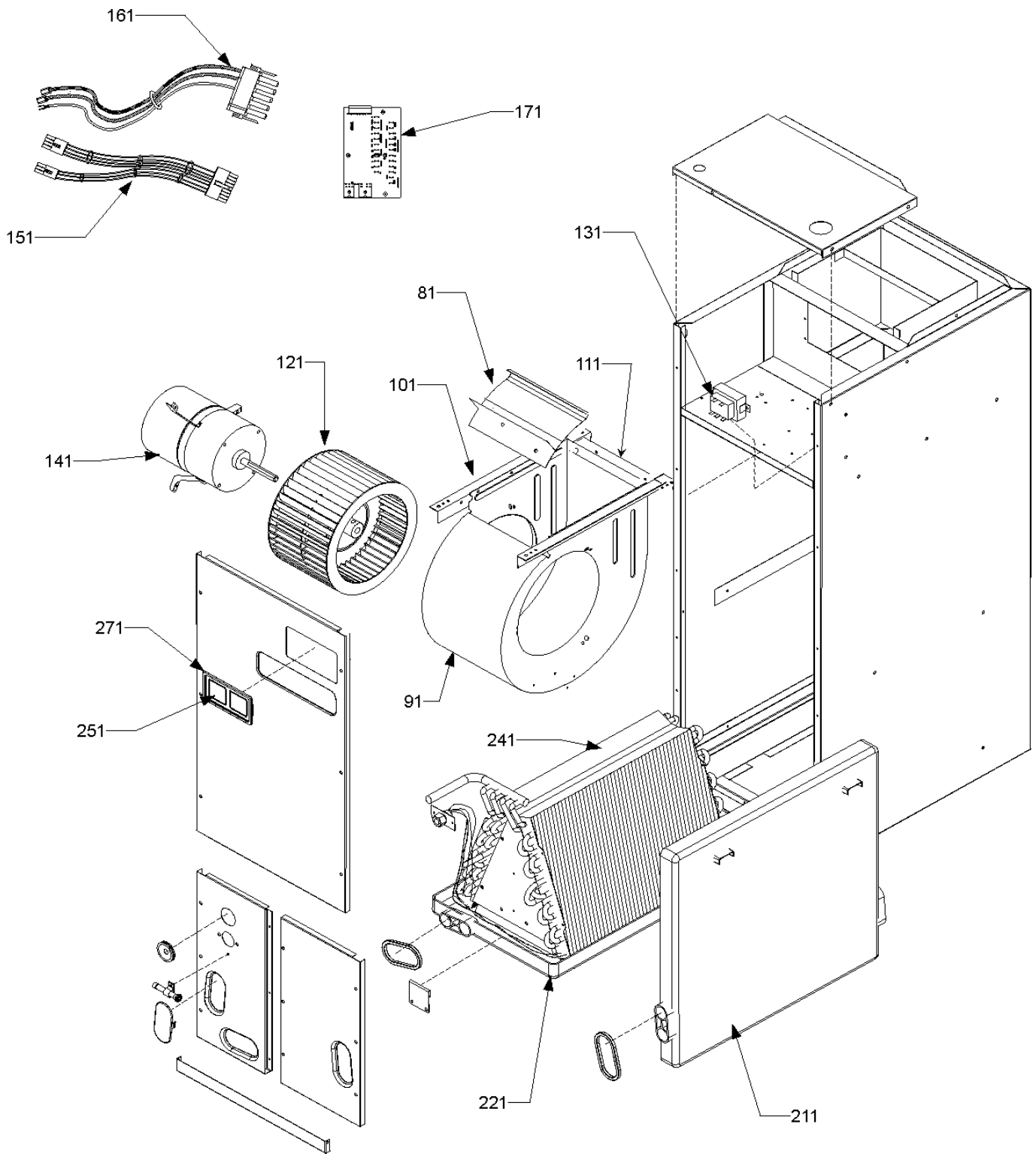
Image 1:

11	1721123PDG	WRAPPER (M3, M4, M5, M6, M7)
11	0121A00494	WRAPPER, MEDIUM (AR) (M1, M2)
21	0121A00114PDG	PAINTED UPPER TIE PLATE (M2)
21	0121A00033PDG	UPPER TIE PLATE (M1)
21	0121A00035PDG	UPPER TIE PLATE (M3, M4, M5, M6, M7)
31	1722077PDG	LOWER ACCESS PANEL (M1, M2)
31	1722078PDG	LOWER ACCESS PANEL (M3, M4, M5, M6, M7)
41	1722080PDG	LOWER SERVICE PANEL (M1, M2)
41	1722081PDG	LOWER SERVICE PANEL (M3, M4, M5, M6, M7)
51	1722083PDG	UPPER ACCESS PANEL (M1, M2)
51	1722084PDG	UPPER ACCESS PANEL (M3, M4, M5, M6, M7)
61	1722087PDG	FILTER COVER LRG (M3, M4, M5, M6, M7)
61	1722086PDG	FILTER COVER MED (M1, M2)
NS	1721918	BOTTOM TIE LRG (M3, M4, M5, M6, M7)
NS	1721917	BOTTOM TIE MED (M1, M2)
NS	B1796630	INLET TUBE FLOWRATOR
NS	0130M00129	RELAY, WCK (M2, M4, M5, M7)
NS	BT1256505	RELAY, WCK (M1, M3, M6)

Expanded Model Nomenclature

M1 - ASPF183016AA
M2 - ASPF183016BA
M3 - ASPF303616AA
M4 - ASPF303616BA
M5 - ASPF313716AA
M6 - ASPF426016AA
M7 - ASPF426016BA

Internal Components



Internal Components

Ref. Part No:	Ref. Part No:	Description:	Description:
Image 1:			
81	764734	BLOWER CUT-OFF (M1, M2)	
81	0121A00020	BLOWER CUT-OFF 11 X 10 (M6, M7)	
81	0121A00021	BLOWER CUT-OFF 11 X 10 (M3, M4, M5)	
91	1439392	BLOWER HOUSING 9 X 8 (M1, M2)	
91	0270A00132	BLOWER HOUSING ASSY (M3, M4, M5)	
91	0270A00133	BLOWER HOUSING ASSY 11 X 10 (M6, M7)	
101	0121A00027	BLOWER MOUNTING ANGLE (QTY 2)	
111	0121A00495	BLOWER MOUNTING ANGLE (M2, M3, M4, M5, M7)	
121	B1368000	BLOWER WHEEL 11 X 10 (M6, M7)	
121	B1368037	BLOWER WHEEL 9 X 8 (M1, M2)	
121	0150M00036	WHEEL, BLOWER 10 X 10 (M3, M4, M5)	
131	0130M00138	TRANSFORMER 208/230, 24V	
141	0131M00063	MOTOR-1/2 HP PROGRAMMED X-13 (M1)	
141	0131M00105	MOTOR-1/2 HP PROGRAMMED X-13 (M2)	
141	0131M00073	MOTOR-3/4 HP PROGRAMMED X-13 (M6)	
141	0131M00065	MOTOR-3/4 HP PROGRAMMED X-13 (M3)	
141	0131M00107	MOTOR-3/4 HP PROGRAMMED X-13 (M4, M5)	
141	0131M00109	MOTOR-3/4 HP PROGRAMMED X-13 (M7)	
151	0259A00002P	WIRE ASSY, 9-PIN MALE CONNECTOR (M2)	
161	0259A00006	WIRE ASSY, 9-PIN FEMALE CONNECTOR (M1, M3, M4, M5, M6, M7)	
171	PCBFM103	ELECTRONIC BLOWER TIME DELAY (M3, M6)	
171	PCBFM131	ELECTRONIC BLOWER TIME DELAY (M1)	
211	B1756022L	PLASTIC DRAIN PAN (HORIZONTAL) (M1, M2)	
211	B1756028L	PLASTIC DRAIN PAN (HORIZONTAL) (M3, M4, M5, M6, M7)	
221	B1756017L	PLASTIC DRAIN PAN (VERTICAL) (M1)	
221	B1756020L	PLASTIC DRAIN PAN (VERTICAL) (M3, M4, M6)	
241	0270A00413S	COIL PAN ASSY (M5)	
241	1262403	COIL PAN ASSY (M2)	
241	1262403	COIL PAN ASSY (M1)	
241	1262404	COIL PAN ASSY (M3, M4)	
241	1262405	COIL PAN ASSY (M6)	
241	1262405	COIL PAN ASSY (M7)	
251	0161A00034	PLASTIC BREAKER INSERT	
271	B13926122	CIRCUIT BREAKER INSERT GASKET	
NS	0163A00008	MOTOR MOUNT ARM (M6, M7)	
NS	B1376853	MOTOR MOUNT ARM (M3, M4, M5)	
NS	B1376861	MOTOR MOUNT ARM (M1, M2)	
NS	0121M00038	MOTOR MOUNT BAND (M1, M2, M3, M4, M5)	
NS	0121M00039	MOTOR MOUNT BAND (HEAVY DUTY) (M6, M7)	
NS	0130M00020	TERMINAL BOARD (M1, M3, M4, M5, M6, M7)	
NS	0130M00021	WIRE HARNESS, X-13 LOW VOLTAGE	
NS	0130M00022	X-13 POWER HARNESS (M1, M3, M4, M5, M6, M7)	

Expanded Model Nomenclature

M1 - ASPF183016AA
M2 - ASPF183016BA
M3 - ASPF303616AA
M4 - ASPF303616BA
M5 - ASPF313716AA
M6 - ASPF426016AA
M7 - ASPF426016BA