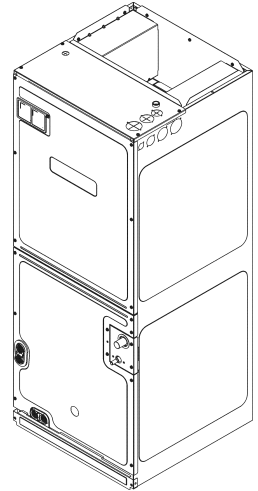


# REPAIR PARTS

---

## ARUF Air Handler

ARUF49C14AD



This manual is to be used by qualified technicians only.

© 2021 Goodman Manufacturing Company, L.P. ♦ 5151 San Felipe St, Suite 500 ♦ Houston, TX 77056

# Important Information

---

## Index

Functional Parts List .....	3
Illustration and Parts .....	4 - 9

*Views shown are for parts illustrations only, not servicing procedures.*

### Text Codes:

AR - As Required

NA - Not Available

NS - Not Shown

00000000 - See Note

QTY - Quantity Example (QTY 3) (If Quantity not shown, Quantity = 1)

M - Model Example (M1) (If M Code not shown, then part is used on all Models)

### Expanded Model Nomenclature:

Example
M1 - Model#1
M2 - Model#2
M3 - Model#3

Goodman Manufacturing Company, L.P. is not responsible for personal injury or property damage resulting from improper service. Review all service information before beginning repairs.

Warranty service must be performed by an authorized technician, using authorized factory parts. If service is required after the warranty expires, Goodman Manufacturing Company, L.P. also recommends contacting an authorized technician and using authorized factory parts.

Goodman Manufacturing Company, L.P. reserves the right to discontinue, or change at any time, specifications or designs without notice or without incurring obligations.

For assistance within the U.S.A. contact:  
Homeowner Support  
Goodman Manufacturing Company, L.P.  
19001 Kermier Road  
Waller, Texas 77484  
877-254-4729-Telephone  
713-863-2382-Facsimile

For assistance outside the U.S.A. contact:  
International Division  
Goodman Manufacturing Company, L.P.  
19001 Kermier Road  
Waller, Texas 77484  
713-861-2500-Telephone  
713-863-2382-Facsimile

# Functional Parts

## Part

**No:**            **Description:**

---

CAP150000370LA    CAPACITOR 15/370V  
0131M00961        MOTOR, ID, PSC, 0.54 HP  
PCBFM103            PCB, TIME DELAY, EBTDR  
0130M00138        TRANSFORMER, 208/230, 24V  
0150M00059        WHEEL, BLOWER

### **SPECIAL PARTS**

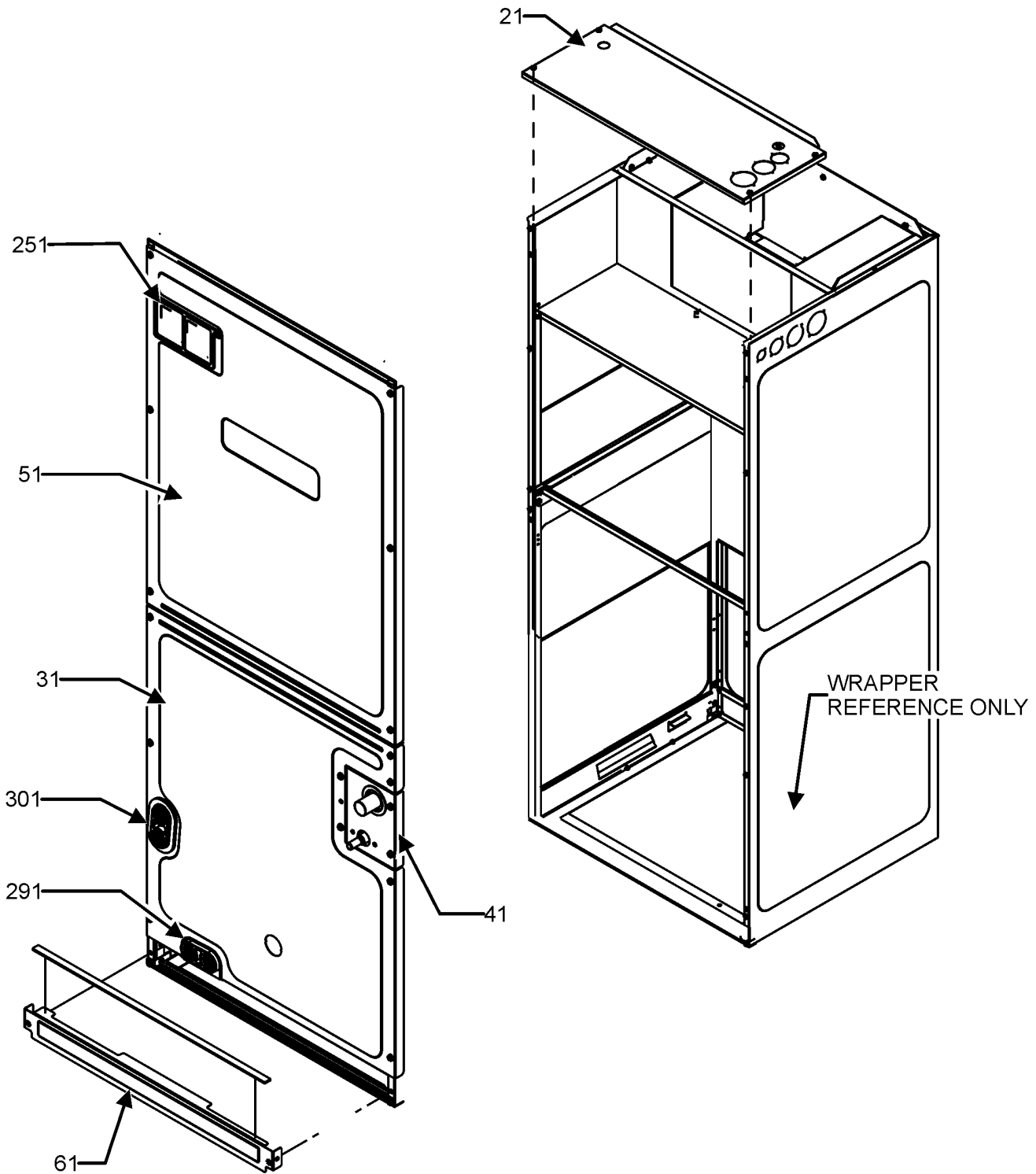
PKCG-4001ZB        PISTON KIT CHART

### **Expanded Model Nomenclature**

M1 - ARUF49C14AD
------------------

# Cabinet Assembly

## WRAPPER ASSEMBLY



WRAPPER ASSEMBLY MAY DIFFER FROM WHAT IS SHOWN

# Cabinet Assembly

Ref. Part No:	No:	Description:	Ref. Part No:	No:	Description:
---------------	-----	--------------	---------------	-----	--------------

---

**Image 1:**

21	0121A01484PDG	PLATE, UPPER TIE, PAINTED
31	0121A00461PDG	LOWER ACCESS PANEL
41	0121A00595PDG	REFRIGERATION TUBING PANEL
51	0121A00834PDG	PANEL, UPPER ACCESS
61	0121A00243PDG	FILTER ACCESS PANEL
251	0161A00073	CIRCUIT BREAKER COVER
291	0154A00006BL	Gasket, Drain Pan
301	0154A00007BL	Gasket, Drain Pan
NS	BT1369063	90 DEGREE STUB
NS	0163M00097	SCREW-WASHERED (QTY 2)
NS	0163A00026	THUMB SCREW (QTY 2)

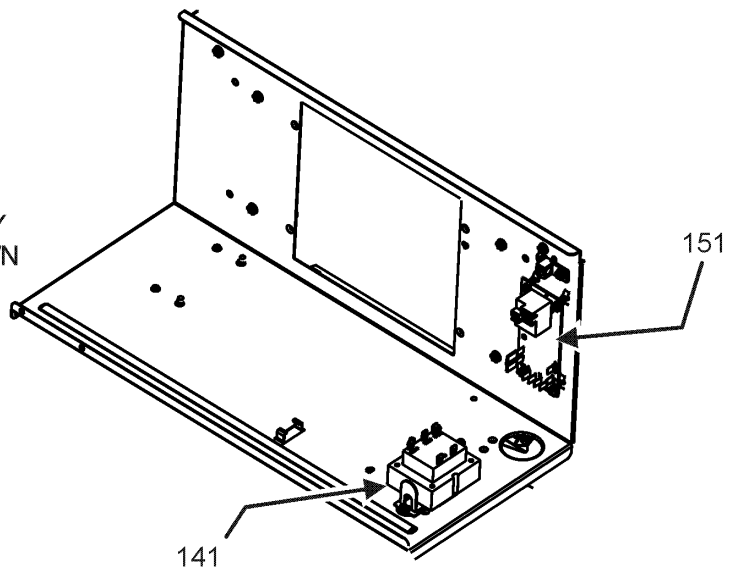
**Expanded Model Nomenclature**

M1 - ARUF49C14AD

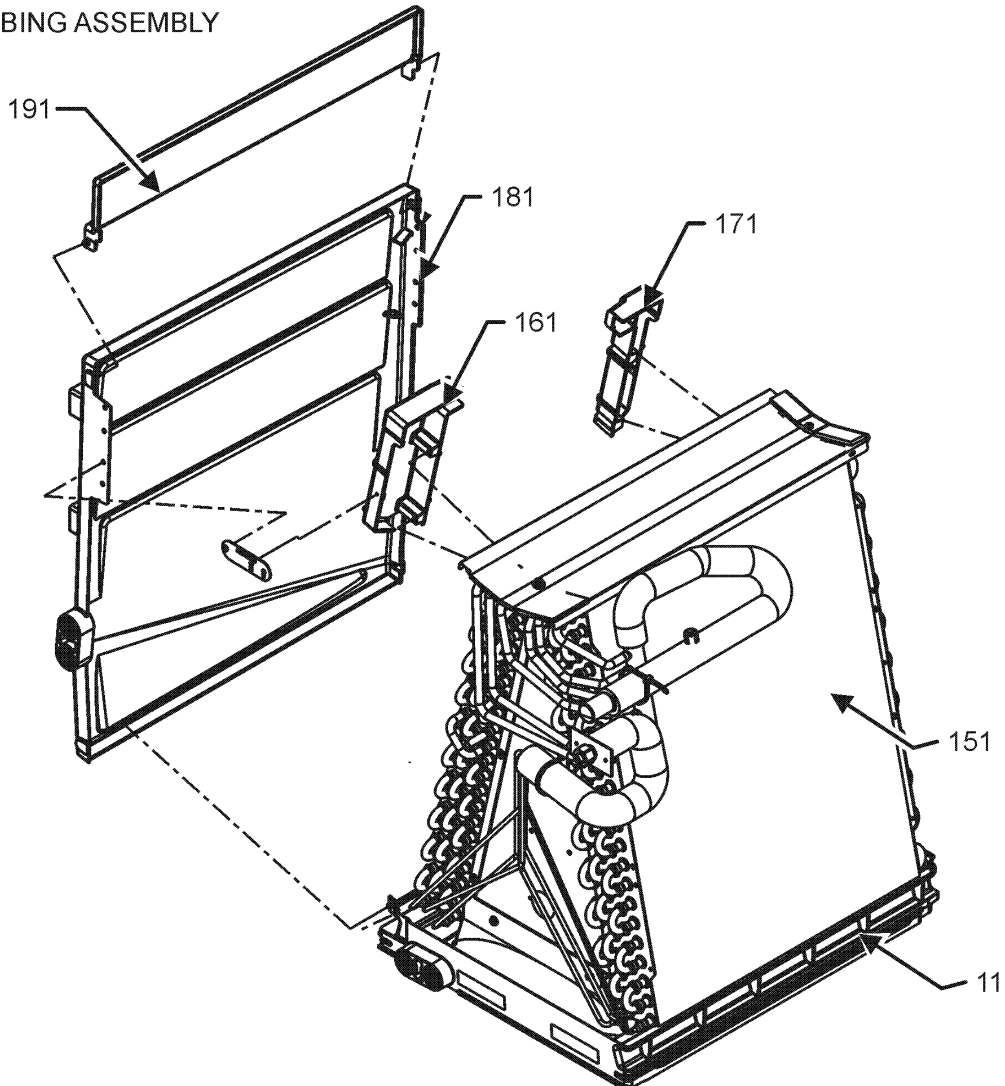
# Control Panel and Coil Assembly

## CONTROL PANEL ASSEMBLY

NOTE: CONTROL PANEL ASSEMBLY  
MAY DIFFER FROM WHAT IS SHOWN



## COIL TUBING ASSEMBLY



NOTE: COIL TUBING ASSEMBLY MAY DIFFER FROM WHAT IS SHOWN

# Control Panel and Coil Assembly

Ref. Part No:	No:	Description:	Ref. Part No:	No:	Description:
---------------	-----	--------------	---------------	-----	--------------

---

**Image 1:**

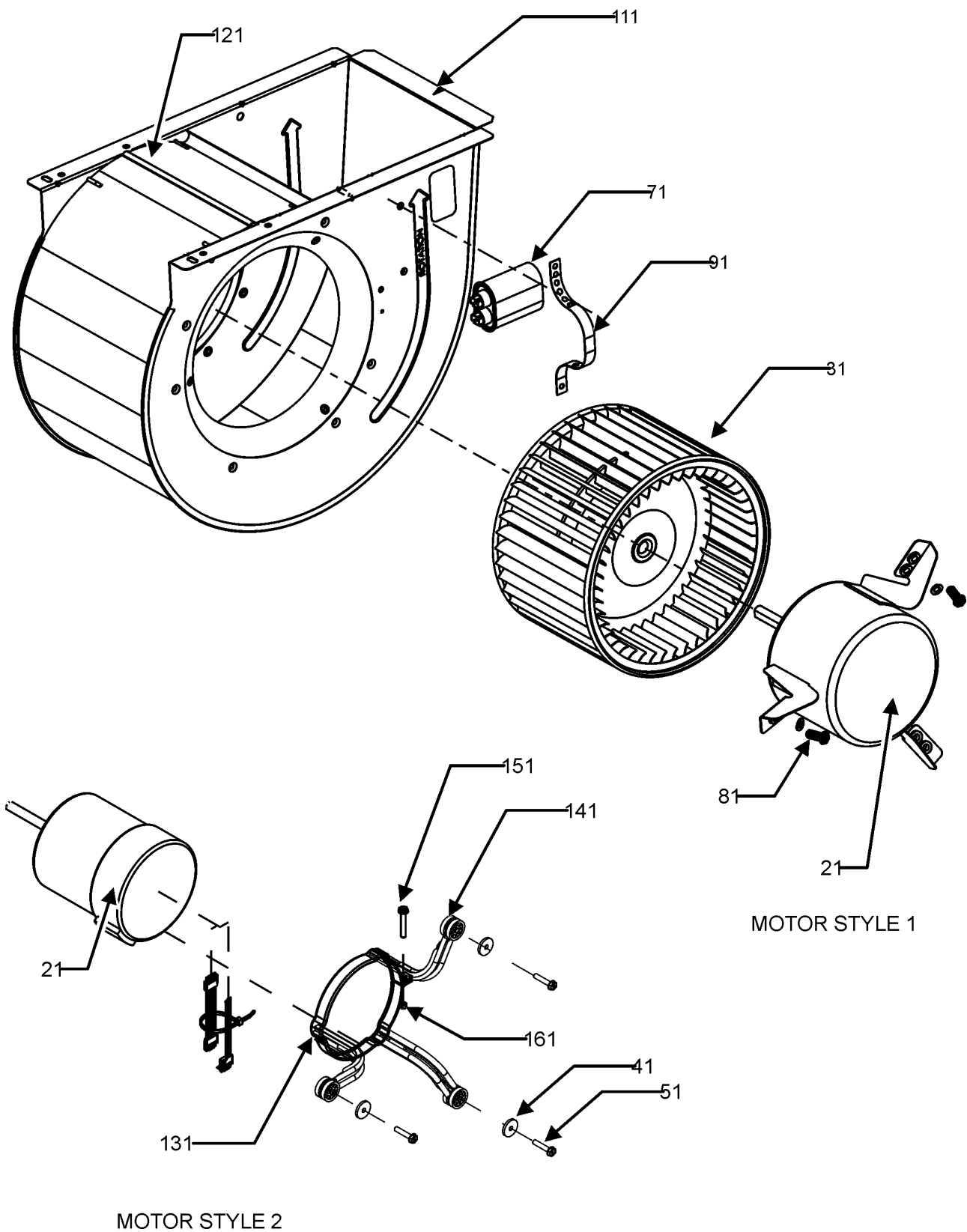
11	0161A00052	DRAINPAN, VERTICAL
141	0130M00138	TRANSFORMER, 208/230, 24V
151	0270A00978	COIL TUBING ASSEMBLY
151	PCBFM103	PCB, TIME DELAY, EBTDR
161	0161A00060	CONDENSATE, COLLECT, FRONT
171	0161A00061	CONDENSATE, COLLECT, BACK
181	0161A00053	DRAIN PAN HORIZONTAL, TALL
191	0161A00054	DRAIN PAN, EXTENSION, SMALL
NS	0163M00175	CAP WITH O-RING
NS	PKCG-4001ZB	PISTON KIT CHART
NS	0151M00104	VALVE CORE
NS	0259A00012P	WIRE ASSY, 9 PIN FEMALE CONN.
NS	0259A00013P	WIRE ASSY, 9 PIN MALE CONN.

**Expanded Model Nomenclature**

M1 - ARUF49C14AD
------------------

# Blower Assembly

## BLOWER ASSEMBLY



# Blower Assembly

Ref. Part No:	No:	Description:	Ref. Part No:	No:	Description:
---------------	-----	--------------	---------------	-----	--------------

---

**Image 1:**

21	0131M00961	MOTOR, ID, PSC, 0.54 HP
31	0150M00059	WHEEL, BLOWER
41	B1392918	WASHER, FLAT 1/4 ID X 1 OD (QTY 3)
51	M0250565	SCREW-TC 1.25" (QTY 3)
71	CAP150000370LA	CAPACITOR 15/370V
81	M0250565	SCREW-TC 1.25" (QTY 3)
91	20520901	STRAP-CAPACITOR
111	0271A00016	BLOWER SHELL ASSY
121	764741	BLOWER BLOCK-OFF 10 X 10
131	0121M00039	MOUNT BAND, MOTOR (HEAVY DUTY)
141	0163M00538	MOUNT ARM, MOTOR (QTY 3)
151	0163M00320	HEX HEAD ALL THREAD TAP BOLT
161	B1393800	LOCKNUT, NYLON, INSERT 1/4,20

**Expanded Model Nomenclature**

M1 - ARUF49C14AD
------------------