

# REPAIR PARTS

---

## ARUF Air Handler

ARUF25B14AC  
ARUF25B14AD  
ARUF29B14AC  
ARUF29B14AD  
ARUF31B14AC  
ARUF31B14AD  
ARUF37C14AD  
ARUF37C14AE  
ARUF37D14AD  
ARUF37D14AE  
ARUF43C14AD  
ARUF43C14AE  
ARUF43D14AD  
ARUF43D14AE  
ARUF47D14AD  
ARUF47D14AE  
ARUF49C14AE  
ARUF49D14AD  
ARUF49D14AE  
ARUF61D14AD  
ARUF61D14AE



This manual is to be used by qualified technicians only.

This manual replaces RP-4325B.

© 2018 - 2019, 2023 Goodman Manufacturing Company, L.P. ♦ 19001 Kermier Rd. ♦ Waller, TX 77484

# Important Information

---

## Index

Functional Parts List .....	3
Illustration and Parts .....	4 - 9

*Views shown are for parts illustrations only, not servicing procedures.*

### Text Codes:

AR - As Required

NA - Not Available

NS - Not Shown

00000000 - See Note

QTY - Quantity Example (QTY 3) (If Quantity not shown, Quantity = 1)

M - Model Example (M1) (If M Code not shown, then part is used on all Models)

### Expanded Model Nomenclature:

Example M1 - Model#1 M2 - Model#2 M3 - Model#3
---

Goodman Manufacturing Company, L.P. is not responsible for personal injury or property damage resulting from improper service. Review all service information before beginning repairs.

Warranty service must be performed by an authorized technician, using authorized factory parts. If service is required after the warranty expires, Goodman Manufacturing Company, L.P. also recommends contacting an authorized technician and using authorized factory parts.

Goodman Manufacturing Company, L.P. reserves the right to discontinue, or change at any time, specifications or designs without notice or without incurring obligations.

For assistance within the U.S.A. contact:  
Homeowner Support  
Goodman Manufacturing Company, L.P.  
19001 Kermier Road  
Waller, Texas 77484  
877-254-4729-Telephone  
713-863-2382-Facsimile

For assistance outside the U.S.A. contact:  
International Division  
Goodman Manufacturing Company, L.P.  
19001 Kermier Road  
Waller, Texas 77484  
713-861-2500-Telephone  
713-863-2382-Facsimile

# Functional Parts

**Part**

**No: Description:**

---

B1368058	Blower Wheel (10 X 8) (M7, M8, M11, M12)
CAP100000440LA	CAP 10 MFD/440V/OVAL (M7, M8, M9, M10, M11, M12)
CAP100000370LA	CAP, 10 MFD/370V/OVAL (M1, M2, M3, M4, M5, M6)
CAP150000370LA	CAP, 15 MFD/370V/OVAL (M13, M14, M15, M16, M17, M18, M19)
CAP250000370CP	CAP, 25 MFD/370V/ RD (M20, M21)
0131A00025	MOTOR (M13, M14, M15, M16, M18, M19)
0131M00848	MOTOR (M1, M2, M3, M4, M5, M6)
0131M00849	MOTOR (M7, M8, M9, M10, M11, M12)
0131M00676	MOTOR, 1/2HP, 3SP, 8PL (M17)
0131M00297	MOTOR, 3/4 HP, 3 SP (M21)
0131M00947	MOTOR, ID, PSC, 3/4HP (M20)
PCBFM132	PCB, TIME DELAY (M2, M4, M6, M8, M10, M12, M14, M16, M17, M19, M21)
PCBFM103	PCB, TIME DELAY, EBTDR (M1, M3, M5, M7, M9, M11, M13, M15, M18, M20)
0130M00138	TRANSFORMER, 208/230, 24V
0150M00059	WHEEL, BLOWER (M9, M10, M13, M14, M15, M16, M17, M18, M19)

**SPECIAL PARTS**

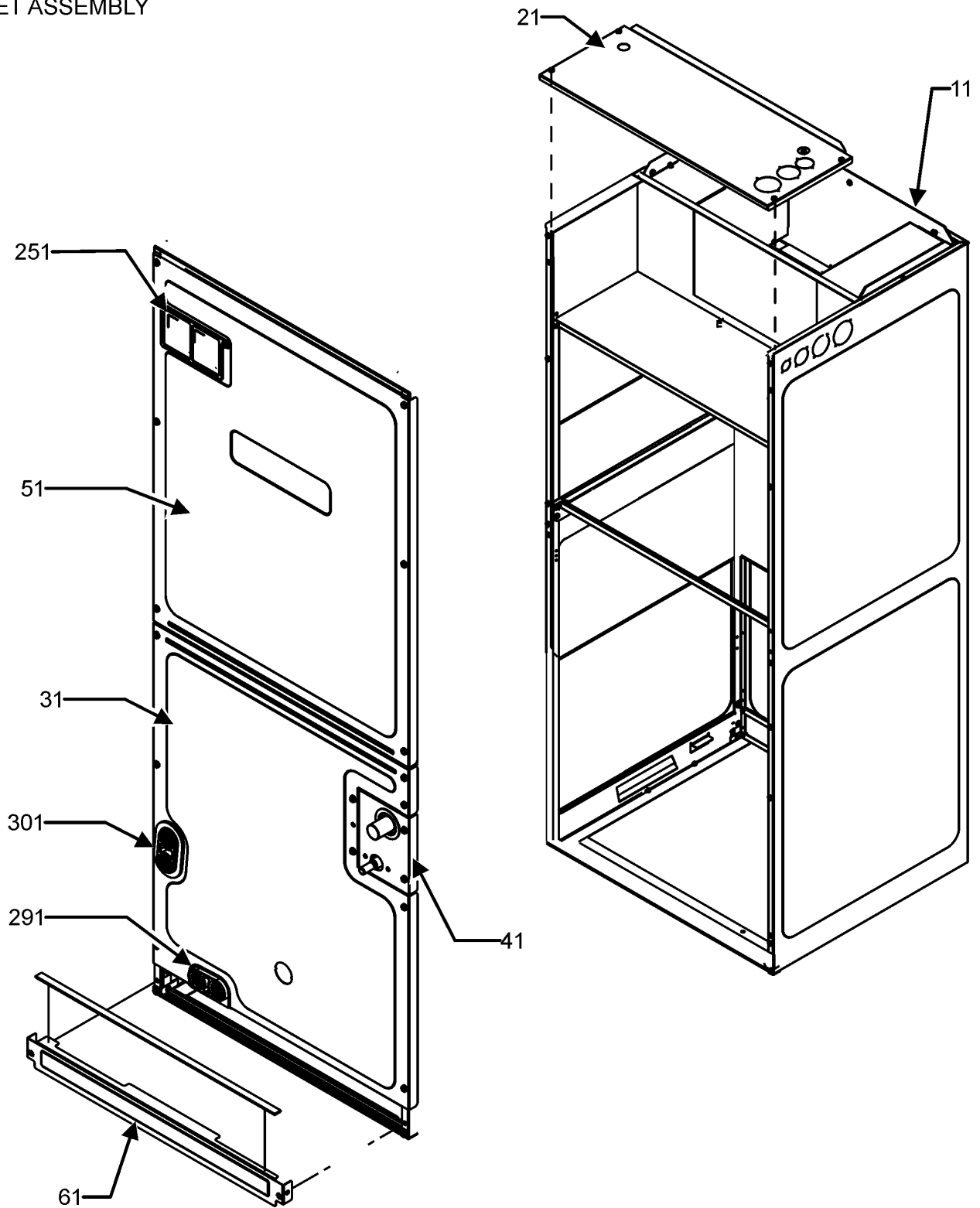
PKCG-4001ZC PISTON KIT CHART

**Expanded Model Nomenclature**

M1 - ARUF25B14AC
M2 - ARUF25B14AD
M3 - ARUF29B14AC
M4 - ARUF29B14AD
M5 - ARUF31B14AC
M6 - ARUF31B14AD
M7 - ARUF37C14AD
M8 - ARUF37C14AE
M9 - ARUF37D14AD
M10 - ARUF37D14AE
M11 - ARUF43C14AD
M12 - ARUF43C14AE
M13 - ARUF43D14AD
M14 - ARUF43D14AE
M15 - ARUF47D14AD
M16 - ARUF47D14AE
M17 - ARUF49C14AE
M18 - ARUF49D14AD
M19 - ARUF49D14AE
M20 - ARUF61D14AD
M21 - ARUF61D14AE

# Cabinet Assembly

## CABINET ASSEMBLY



NOTE: CABINET ASSEMBLY MAY DIFFER FROM WHAT IS SHOWN

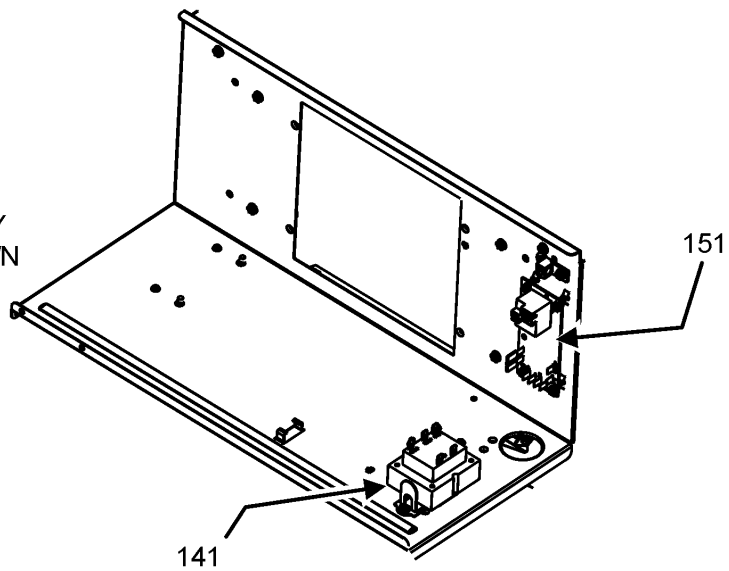
# Cabinet Assembly

Ref. Part No:	No:	Description:	Ref. Part No:	No:	Description:
<b>Image 1:</b>			<b>Expanded Model Nomenclature</b>		
11	0121A00276	Wrapper (M15, M16, M20, M21)	M1	-	ARUF25B14AC
11	0121A00281	Wrapper (M1, M2, M3, M4)	M2	-	ARUF25B14AD
11	0121A00455	WRAPPER (M9, M10, M13, M14, M18, M19)	M3	-	ARUF29B14AC
11	0121A00456	WRAPPER (M7, M8, M11, M12, M17)	M4	-	ARUF29B14AD
11	0121A00458	WRAPPER (M5, M6)	M5	-	ARUF31B14AC
21	0121A01483PDG	PLATE, UPPER TIE, PAINTED (M1, M2, M3, M4, M5, M6)	M6	-	ARUF31B14AD
21	0121A01484PDG	PLATE, UPPER TIE, PAINTED (M7, M8, M11, M12, M17)	M7	-	ARUF37C14AD
21	0121A01485PDG	PLATE, UPPER TIE, PAINTED (M9, M10, M13, M14, M15, M16, M18, M19, M20, M21)	M8	-	ARUF37C14AE
31	0121A00460PDG	LOWER ACCESS PANEL (M9, M10, M13, M14, M18, M19)	M9	-	ARUF37D14AD
31	0121A00461PDG	LOWER ACCESS PANEL (M7, M8, M11, M12, M17)	M10	-	ARUF37D14AE
31	0121A00463PDG	LOWER ACCESS PANEL (M5, M6)	M11	-	ARUF43C14AD
31	0121A00618PDG	LOWER ACCESS PANEL (M15, M16, M20, M21)	M12	-	ARUF43C14AE
31	0121A00620PDG	LOWER ACCESS PANEL (M1, M2, M3, M4)	M13	-	ARUF43D14AD
41	0121A00595PDG	REFRIGERATION TUBING PANEL	M14	-	ARUF43D14AE
51	0121A00833PDG	PANEL, UPPER ACCESS (M9, M10, M13, M14, M15, M16, M18, M19, M20, M21)	M15	-	ARUF47D14AD
51	0121A00834PDG	PANEL, UPPER ACCESS (M7, M8, M11, M12, M17)	M16	-	ARUF47D14AE
51	0121A00835PDG	PANEL, UPPER ACCESS (M1, M2, M3, M4, M5, M6)	M17	-	ARUF49C14AE
61	0121A00242PDG	Panel, Filter Access, Ptd (M1, M2, M3, M4, M5, M6)	M18	-	ARUF49D14AD
61	0121A00243PDG	Panel, Filter Access, Ptd (M7, M8, M11, M12, M17)	M19	-	ARUF49D14AE
61	0121A00244PDG	Panel, Filter Access, Ptd (M9, M10, M13, M14, M15, M16, M18, M19, M20, M21)	M20	-	ARUF61D14AD
251	0161A00073	CIRCUIT BREAKER COVER	M21	-	ARUF61D14AE
291	0154A00006BL	Gasket, Drain Pan			
301	0154A00007BL	Gasket, Drain Pan			
NS	BT1369063	90 DEGREE STUB			
NS	0163A00026	THUMB SCREW (QTY 2)			

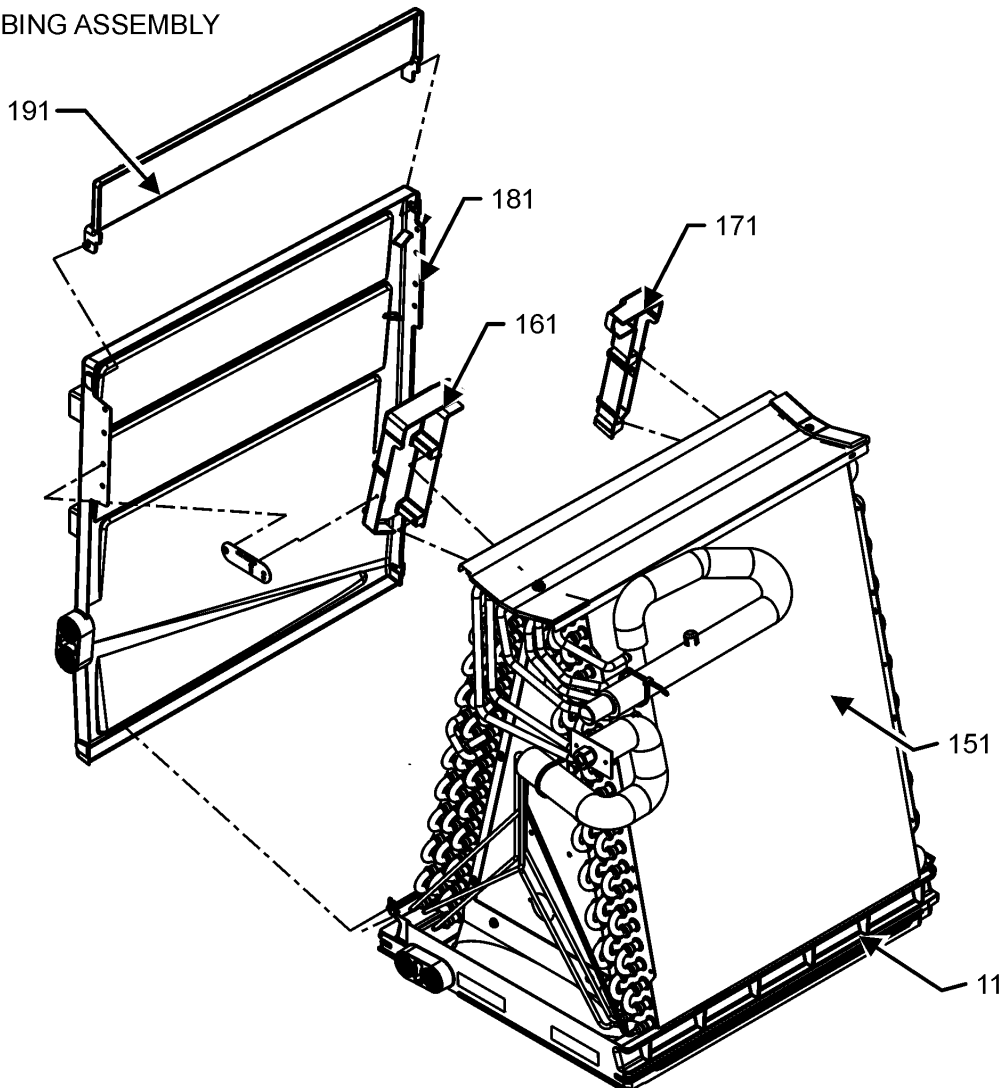
# Control Panel and Coil Assembly

## CONTROL PANEL ASSEMBLY

NOTE: CONTROL PANEL ASSEMBLY  
MAY DIFFER FROM WHAT IS SHOWN



## COIL TUBING ASSEMBLY



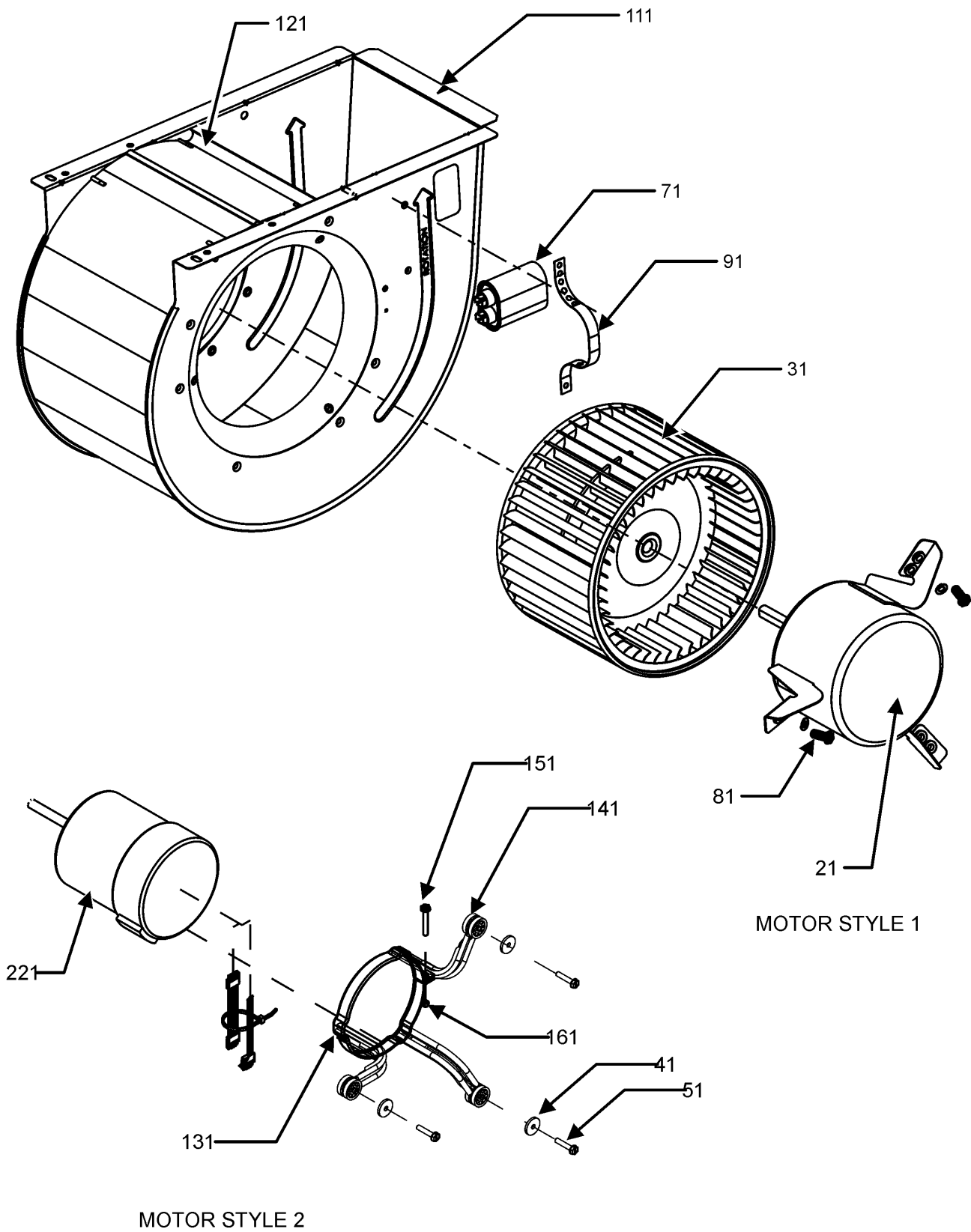
NOTE: COIL TUBING ASSEMBLY MAY DIFFER FROM WHAT IS SHOWN

# Control Panel and Coil Assembly

Ref. Part No:	No:	Description:	Ref. Part No:	No:	Description:
<b>Image 1:</b>			<b>Expanded Model Nomenclature</b>		
11	0161A00049	DRAINPAN, VERTICAL (M1, M2, M3, M4, M5, M6)	M1	-	ARUF25B14AC
11	0161A00051	DRAINPAN, VERTICAL (M9, M10, M13, M14, M15, M16, M18, M19, M20, M21)	M2	-	ARUF25B14AD
11	0161A00052	DRAINPAN, VERTICAL (M7, M8, M11, M12, M17)	M3	-	ARUF29B14AC
141	0130M00138	TRANSFORMER, 208/230, 24V	M4	-	ARUF29B14AD
151	0270A00975	COIL TUBING ASSEMBLY (M20, M21)	M5	-	ARUF31B14AC
151	0270A00976	COIL TUBING ASSEMBLY (M15, M16)	M6	-	ARUF31B14AD
151	0270A00977	COIL TUBING ASSEMBLY (M9, M10)	M7	-	ARUF37C14AD
151	0270A00978	COIL TUBING ASSEMBLY (M17)	M8	-	ARUF37C14AE
151	0270A00979	COIL TUBING ASSEMBLY (M5, M6)	M9	-	ARUF37D14AD
151	0270A00980	COIL TUBING ASSEMBLY (M1, M2)	M10	-	ARUF37D14AE
151	0270A00983	COIL TUBING ASSEMBLY (M11, M12)	M11	-	ARUF43C14AD
151	0270A00984	COIL TUBING ASSEMBLY (M7, M8)	M12	-	ARUF43C14AE
151	0270A00987	COIL TUBING ASSEMBLY (M3, M4)	M13	-	ARUF43D14AD
151	0270A00988	COIL TUBING ASSEMBLY (M18, M19)	M14	-	ARUF43D14AE
151	0270A00989	COIL TUBING ASSEMBLY (M13, M14)	M15	-	ARUF47D14AD
151	PCBFM132	PCB, TIME DELAY (M2, M4, M6, M8, M10, M12, M14, M16, M17, M19, M21)	M16	-	ARUF47D14AE
151	PCBFM103	PCB, TIME DELAY, EBTDR (M1, M3, M5, M7, M9, M11, M13, M15, M18, M20)	M17	-	ARUF49C14AE
161	0161A00060	CONDENSATE, COLLECT, FRONT	M18	-	ARUF49D14AD
171	0161A00061	CONDENSATE, COLLECT, BACK	M19	-	ARUF49D14AE
181	0161A00053	DRAIN PAN HORIZONTAL, TALL (M5, M6, M7, M8, M9, M10, M11, M12, M13, M14, M15, M16, M17, M18, M19, M20, M21)	M20	-	ARUF61D14AD
181	0161A00055	DRAINING PAN HORIZONTAL, SMALL (M1, M2, M3, M4)	M21	-	ARUF61D14AE
191	0161A00054	DRAIN PAN, EXTENSION, SMALL (M1, M2, M3, M4, M5, M6, M7, M8, M9, M10, M11, M12, M13, M14, M17, M18, M19)			
191	0161A00056	DRAIN PAN, EXTENSION, TALL (M15, M16, M20, M21)			
NS	0163M00175	CAP WITH O-RING			
NS	PKCG-4001ZC	PISTON KIT CHART			
NS	0151M00104	VALVE CORE			
NS	0259A00012P	WIRE ASSY, 9 PIN FEMALE CONN.			
NS	0259A00013P	WIRE ASSY, 9 PIN MALE CONN. (M1, M3, M5, M7, M9, M11, M13, M15, M18, M20)			
NS	0259A00045	WIRE ASSY, 9 PIN MALE CONN. (M2, M4, M6, M8, M10, M12, M14, M16, M17, M19, M21)			

# Blower Assembly

## BLOWER ASSEMBLY



# Blower Assembly

**Ref. Part  
No: No:**

**Description:**

**Ref. Part  
No: No:**

**Description:**

**Image 1:**

21	0131M00848	MOTOR (M1, M2, M3, M4, M5, M6)
21	0131M00849	MOTOR (M7, M8, M9, M10, M11, M12)
31	B1368058	Blower Wheel (10 X 8) (M7, M8, M11, M12)
31	0150M00059	WHEEL, BLOWER (M9, M10, M13, M14, M15, M16, M17, M18, M19)
41	B1392918	WASHER, FLAT 1/4 ID X 1 OD (M13, M14, M15, M16, M17, M18, M19, M20, M21)
51	M0250565	SCREW-TC 1.25" (M13, M14, M15, M16, M17, M18, M19, M20, M21)
71	CAP100000440LA	CAP 10 MFD/440V/OVAL (M7, M8, M9, M10, M11, M12)
71	CAP100000370LA	CAP, 10 MFD/370V/OVAL (M1, M2, M3, M4, M5, M6)
71	CAP150000370LA	CAP, 15 MFD/370V/OVAL (M13, M14, M15, M16, M17, M18, M19)
71	CAP250000370CP	CAP, 25 MFD/370V/ RD (M20, M21)
81	M0250558	TC SCREW (M1, M2, M3, M4, M5, M6, M7, M8, M9, M10, M11, M12)
91	20520901	STRAP-CAPACITOR
111	0271A00016	ASSY, BLOWER SHELL (M9, M10, M13, M14, M15, M16, M17, M18, M19)
111	0271A00029	ASSY, BLOWER SHELL 10 X 8 (M7, M8, M11, M12)
111	0271A00205	BLOWER ASSY (M1, M2, M3, M4, M5, M6)
111	0271A00206	BLOWER SHELL ASSY (M20, M21)
121	764741	BLOWER BLOCK-OFF 10 X 10 (M9, M10, M13, M14, M15, M16, M17, M18, M19)
121	764740	BLOWER BLOCK-OFF 10 X 8 (M7, M8, M11, M12)
131	0121M00039	MOUNT BAND, MOTOR (HEAVY DUTY) (M13, M14, M15, M16, M17, M18, M19, M20, M21)
141	0163M00538	MOUNT ARM, MOTOR (M13, M14, M15, M16, M17, M18, M19, M20, M21)
151	0163M00320	HEX HEAD ALL THREAD TAP BOLT (M13, M14, M15, M16, M17, M18, M19, M20, M21)
161	B1393800	LOCKNUT, NYLON, INSERT 1/4,20 (M13, M14, M15, M16, M17, M18, M19, M20, M21)
221	0131A00025	MOTOR (M13, M14, M15, M16, M18, M19)
221	0131M00676	MOTOR, 1/2HP, 3SP, 8PL (M17)
221	0131M00297	MOTOR, 3/4 HP, 3 SP (M21)
221	0131M00947	MOTOR, ID, PSC, 3/4HP (M20)

**Expanded Model Nomenclature**

M1 - ARUF25B14AC
M2 - ARUF25B14AD
M3 - ARUF29B14AC
M4 - ARUF29B14AD
M5 - ARUF31B14AC
M6 - ARUF31B14AD
M7 - ARUF37C14AD
M8 - ARUF37C14AE
M9 - ARUF37D14AD
M10 - ARUF37D14AE
M11 - ARUF43C14AD
M12 - ARUF43C14AE
M13 - ARUF43D14AD
M14 - ARUF43D14AE
M15 - ARUF47D14AD
M16 - ARUF47D14AE
M17 - ARUF49C14AE
M18 - ARUF49D14AD
M19 - ARUF49D14AE
M20 - ARUF61D14AD
M21 - ARUF61D14AE