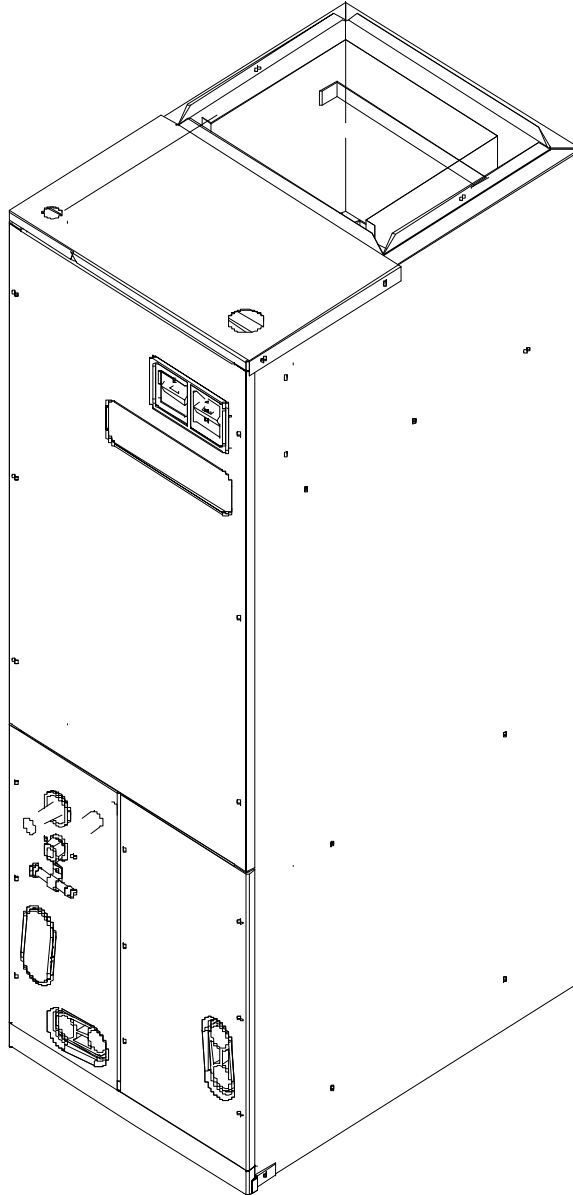


# REPAIR PARTS

## ARUF Air Handler

ARUF018-00A-1A  
ARUF024-00A-1A  
ARUF030-00A-1A  
ARUF032-00A-1A  
ARUF032-00A-1B  
ARUF032-00A-1C  
ARUF036-00A-1A  
ARUF042-00A-1A  
ARUF042-00A-1B  
ARUF048-00A-1A  
ARUF049-00A-1A  
ARUF049-00A-1B  
ARUF060-00A-1A  
ARUF061-00A-1A  
ARUF061-00A-1B



This manual is to be used by qualified technicians only.

This manual replaces RP-330B

© 2004 - 2005, 2016 Goodman Manufacturing Company, L.P. ♦ 5151 San Felipe St., Suite 500 ♦ Houston, TX 77056

# Important Information

---

## Index

Functional Parts List .....	3
Illustration and Parts .....	4 - 7

*Views shown are for parts illustrations only, not servicing procedures*

### Text Codes:

AR - As Required

NA - Not Available

NS - Not Shown

00000000 - See Note

QTY - Quantity Example (QTY 3) (If Quantity not shown, Quantity = 1)

M - Model Example (M1) (If M Code not shown, then part is used on all Models)

### Expanded Model Nomenclature:

Example M1 - Model#1 M2 - Model#2 M3 - Model#3
---

Goodman Manufacturing Company, L.P. is not responsible for personal injury or property damage resulting from improper service. Review all service information before beginning repairs.

Warranty service must be performed by an authorized technician, using authorized factory parts. If service is required after the warranty expires, Goodman Manufacturing Company, L.P. also recommends contacting an authorized technician and using authorized factory parts.

Goodman Manufacturing Company, L.P. reserves the right to discontinue, or change at any time, specifications or designs without notice or without incurring obligations.

For assistance within the U.S.A. contact:  
Homeowner Support  
Goodman Manufacturing Company, L.P.  
19001 Kermier Road  
Waller, Texas 77484  
877-254-4729-Telephone  
713-863-2382-Facsimile

For assistance outside the U.S.A. contact:  
International Division  
Goodman Manufacturing Company, L.P.  
19001 Kermier Road  
Waller, Texas 77484  
713-861-2500-Telephone  
713-863-2382-Facsimile

# Functional Parts

**Part**

**No: Description:**

11091204	BLOWER MOTOR 1/2 HP, 3 SP, 8 PL (M12)
B13400353	BLOWER MOTOR 1/2 HP, DIRECT DRIVE (M8, M10, M11)
B13400312	BLOWER MOTOR 1/3 HP, 2 BOLT CIRCLE F (M3, M4, M7)
11091203	BLOWER MOTOR 1/3 HP, 3 SP, 6 PL (M9)
0131M00005P	BLOWER MOTOR 1/3 HP, 3 SP, 6 PL (M6)
B13400313	BLOWER MOTOR 1/5 HP (M1, M2)
B13400208	BLOWER MOTOR 3/4 HP, 2 SP, 230V (M13, M14)
0131M00000P	BLOWER MOTOR 3/4 HP, 3 SP, 6 PL (M15)
B1368016	BLOWER WHEEL 10 X 8 (M12)
B1368035	BLOWER WHEEL 5.75 X 8 (M1)
B1368042	BLOWER WHEEL 9 X 6 (M2, M3, M4)
0150M00000P	BLOWER WHEEL 9 X 6 (M5, M6)
B1368036	BLOWER WHEEL 9 X 8 (M7, M8, M10, M11)
CAP125000370CP	CAP, 12.5 MFD/370V/ RD (M8, M10, M11)
CAP100000370LA	CAPACITOR 10/370V (M5, M6, M9)
CAP150000370LA	CAPACITOR 15/370V (M12, M13, M14, M15)
CAP050000370LA	CAPACITOR 5/370V (M1, M2)
CAP075000370LA	CAPACITOR 7.5/370V (M3, M4, M7)
PCBFM103	ELECTRONIC BLOWER TIME DELAY
B13400256	MOTOR, 1/3 HP, 60 HZ (M5)
B1796631	TEFLON SEAL, 20 IN A PACK
0130M00138	TRANSFORMER 208/230, 24V
0150M00037	WHEEL, BLOWER 10 X 10 (M15)
0150M00035	WHEEL, BLOWER 10 X 10 (M13, M14)

**Expanded Model Nomenclature**

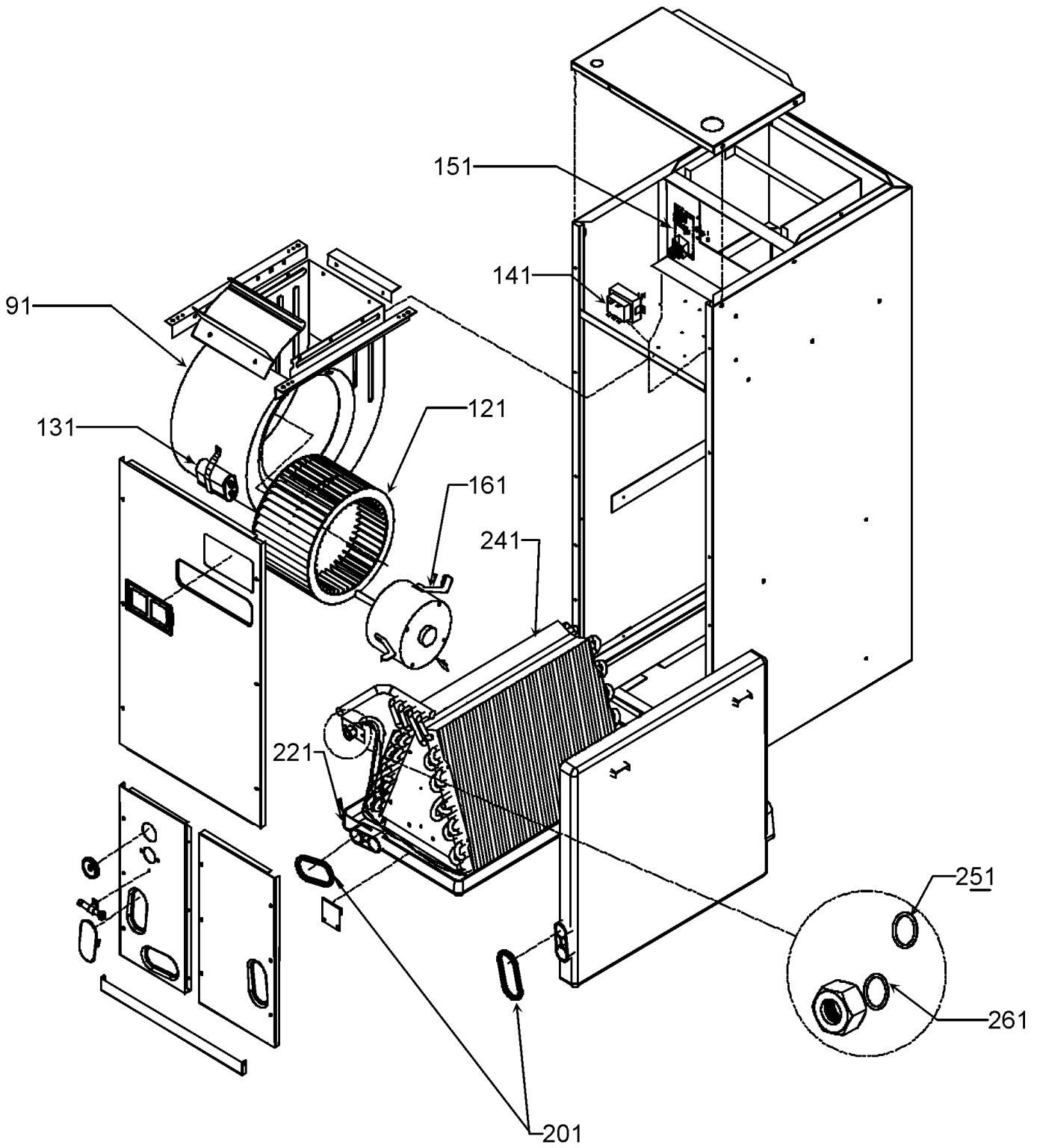
M1 - ARUF018-00A-1A
M2 - ARUF024-00A-1A
M3 - ARUF030-00A-1A
M4 - ARUF032-00A-1A
M5 - ARUF032-00A-1B
M6 - ARUF032-00A-1C
M7 - ARUF036-00A-1A
M8 - ARUF042-00A-1A
M9 - ARUF042-00A-1B
M10 - ARUF048-00A-1A
M11 - ARUF049-00A-1A
M12 - ARUF049-00A-1B
M13 - ARUF060-00A-1A
M14 - ARUF061-00A-1A
M15 - ARUF061-00A-1B



# Cabinet

Ref. Part No: No:	Description:	Ref. Part No: No:	Description:
<i>Image 1:</i>		<b>Expanded Model Nomenclature</b>	
11	1721123 WRAPPER ASSY LRG (M10, M11, M12, M13, M14, M15)	M1 - ARUF018-00A-1A	
11	1721122 WRAPPER ASSY MED (M7, M8, M9)	M2 - ARUF024-00A-1A	
11	1721121 WRAPPER, SMALL (AR) (M1, M2, M3, M4, M5, M6)	M3 - ARUF030-00A-1A	
21	0121A00033 PLATE, UPPER TIE (M7, M8, M9)	M4 - ARUF032-00A-1A	
21	0121A00035 PLATE, UPPER TIE (M10, M11, M12, M13, M14, M15)	M5 - ARUF032-00A-1B	
21	1721931PDG UPPER TIE PLATE (M1, M2, M3, M4, M5, M6)	M6 - ARUF032-00A-1C	
31	1722077PDG LOWER ACCESS PANEL (M1, M2, M3, M4, M5, M6, M7, M8, M9)	M7 - ARUF036-00A-1A	
31	1722078PDG LOWER ACCESS PANEL (M10, M11, M12, M13, M14, M15)	M8 - ARUF042-00A-1A	
41	1722079PDG LOWER SERVICE PANEL (M1, M2, M3, M4, M5, M6)	M9 - ARUF042-00A-1B	
41	1722080PDG LOWER SERVICE PANEL (M7, M8, M9)	M10 - ARUF048-00A-1A	
41	1722081PDG LOWER SERVICE PANEL (M10, M11, M12, M13, M14, M15)	M11 - ARUF049-00A-1A	
51	1722082PDG UPPER ACCESS PANEL (M1, M2, M3, M4, M5, M6)	M12 - ARUF049-00A-1B	
51	1722083PDG UPPER ACCESS PANEL (M7, M8, M9)	M13 - ARUF060-00A-1A	
51	1722084PDG UPPER ACCESS PANEL (M10, M11, M12, M13, M14, M15)	M14 - ARUF061-00A-1A	
61	1722085PDG FILTER COVER (M1, M2, M3, M4, M5, M6)	M15 - ARUF061-00A-1B	
61	1722087PDG FILTER COVER LRG (M10, M11, M12, M13, M14, M15)		
61	1722086PDG FILTER COVER MED (M7, M8, M9)		
71	1722347 HOLD DOWN BRACKET (AR)		
81	764734 BLOWER CUT-OFF (M7, M8, M9)		
81	764736 BLOWER CUT-OFF 10 X 8 (M10, M11, M12)		
81	764733 BLOWER CUT-OFF 9 X 6 (M1, M2, M3, M4, M5, M6)		
81	1817124 BLOWER CUTOFF ANGLE (M13, M14, M15)		
101	0121A00016 BLOWER MOUNTING ANGLE (M10, M11, M12)		
101	0121A00027 BLOWER MOUNTING ANGLE (M1, M2, M3, M4, M5, M6, M7, M8, M9, M13, M14, M15)		
111	0121A00495 MOUNTING ANGLE, BLOWER		
171	0161A00034 PLASTIC BREAKER INSERT		
181	B1392630 GROMMET, DRAIN HOLE		
191	B1392640 COVER, DRAIN HOLE, PLASTIC		
211	B1756021L HORIZONTAL DRAIN PAN (M1, M2, M3, M4, M5, M6)		
211	B1756022L HORIZONTAL DRAIN PAN (M7, M8, M9)		
211	B1756028L HORIZONTAL DRAIN PAN (M10, M11, M12, M13, M14, M15)		
231	B1796630 TUBE INLET		
NS	B260S8982 TOUCH UP SPRAY PAINT, DARK GRAY		

# Internal Components



# Internal Components

Ref. Part No:	No:	Description:	Ref. Part No:	No:	Description:
<i>Image 1:</i>			<b>Expanded Model Nomenclature</b>		
91	1439389	BLOWER HOUSING ASSY 9 X 6 (M1, M2, M3, M4, M5, M6)	M1	-	ARUF018-00A-1A
91	1839304	BLOWER HOUSING ASSY 9 X 8 (M7, M8, M9)	M2	-	ARUF024-00A-1A
91	1439391	BLOWER HOUSING ASSY w/o CUT-OFF 764736 (M10, M11, M12)	M3	-	ARUF030-00A-1A
91	1439398	BLOWER SHELL, 10 X 10 (M13, M14, M15)	M4	-	ARUF032-00A-1A
121	B1368016	BLOWER WHEEL 10 X 8 (M12)	M5	-	ARUF032-00A-1B
121	B1368035	BLOWER WHEEL 5.75 X 8 (M1)	M6	-	ARUF032-00A-1C
121	0150M00000P	BLOWER WHEEL 9 X 6 (M5, M6)	M7	-	ARUF036-00A-1A
121	B1368042	BLOWER WHEEL 9 X 6 (M2, M3, M4)	M8	-	ARUF042-00A-1A
121	B1368036	BLOWER WHEEL 9 X 8 (M7, M8, M10, M11)	M9	-	ARUF042-00A-1B
121	0150M00035	WHEEL, BLOWER 10 X 10 (M13, M14)	M10	-	ARUF048-00A-1A
121	0150M00037	WHEEL, BLOWER 10 X 10 (M15)	M11	-	ARUF049-00A-1A
131	CAP125000370CP	CAP, 12.5 MFD/370V/ RD (M8, M10, M11)	M12	-	ARUF049-00A-1B
131	CAP100000370LA	CAPACITOR 10/370V (M5, M6, M9)	M13	-	ARUF060-00A-1A
131	CAP150000370LA	CAPACITOR 15/370V (M12, M13, M14, M15)	M14	-	ARUF061-00A-1A
131	CAP050000370LA	CAPACITOR 5/370V (M1, M2)	M15	-	ARUF061-00A-1B
131	CAP075000370LA	CAPACITOR 7.5/370V (M3, M4, M7)			
141	0130M00138	TRANSFORMER 208/230, 24V			
151	PCBFM103	ELECTRONIC BLOWER TIME DELAY			
161	11091204	BLOWER MOTOR 1/2 HP, 3 SP, 8 PL (M12)			
161	B13400353	BLOWER MOTOR 1/2 HP, DIRECT DRIVE (M8, M10, M11)			
161	B13400312	BLOWER MOTOR 1/3 HP, 2 BOLT CIRCLE F (M3, M4, M7)			
161	0131M00005P	BLOWER MOTOR 1/3 HP, 3 SP, 6 PL (M6)			
161	11091203	BLOWER MOTOR 1/3 HP, 3 SP, 6 PL (M9)			
161	B13400313	BLOWER MOTOR 1/5 HP (M1, M2)			
161	B13400208	BLOWER MOTOR 3/4 HP, 2 SP, 230V (M13, M14)			
161	0131M00000P	BLOWER MOTOR 3/4 HP, 3 SP, 6 PL (M15)			
161	B13400256	MOTOR, 1/3 HP, 60 HZ (M5)			
201	0154A00000BL	DRAIN PAN GASKET (QTY 2)			
221	B1756013L	PLASTIC DRAIN PAN (VERTICAL) (M1, M2, M3, M4, M5, M6)			
221	B1756017L	PLASTIC DRAIN PAN (VERTICAL) (M7, M8, M9)			
221	B1756020L	PLASTIC DRAIN PAN (VERTICAL) (M10, M11, M12, M13, M14, M15)			
241	P140118	COIL PAN ASSEMBLY (M1)			
241	P140124	COIL PAN ASSEMBLY (M2)			
241	P140130	COIL PAN ASSEMBLY (M3)			
241	P140132	COIL PAN ASSEMBLY (M4, M5, M6)			
241	P140136	COIL PAN ASSEMBLY (M7)			
241	P140142	COIL PAN ASSEMBLY (M8, M9)			
241	P140148	COIL PAN ASSEMBLY (M10)			
241	P140149	COIL PAN ASSEMBLY (M11, M12)			
241	P140160	COIL PAN ASSEMBLY (M13)			
241	P140161	COIL PAN ASSEMBLY (M14, M15)			
251	B1796631	TEFLON SEAL, 20 IN A PACK			
261	B1796632	TEFLON SEAL AND NUT ASSEMBLY			
NS	B821700	CAPACITOR BOOT (M1, M2, M3, M4, M5, M7, M8, M10, M11, M12, M13, M14)			
NS	1284835	CAPACITOR STRAP			
NS	B1376863	MOTOR MOUNT ARM (HEAVY DUTY) (M13, M14, M15)			
NS	0121M00038	MOTOR MOUNT BAND (M12)			
NS	0121M00039	MOTOR MOUNT BAND (HEAVY DUTY) (M13, M14, M15)			