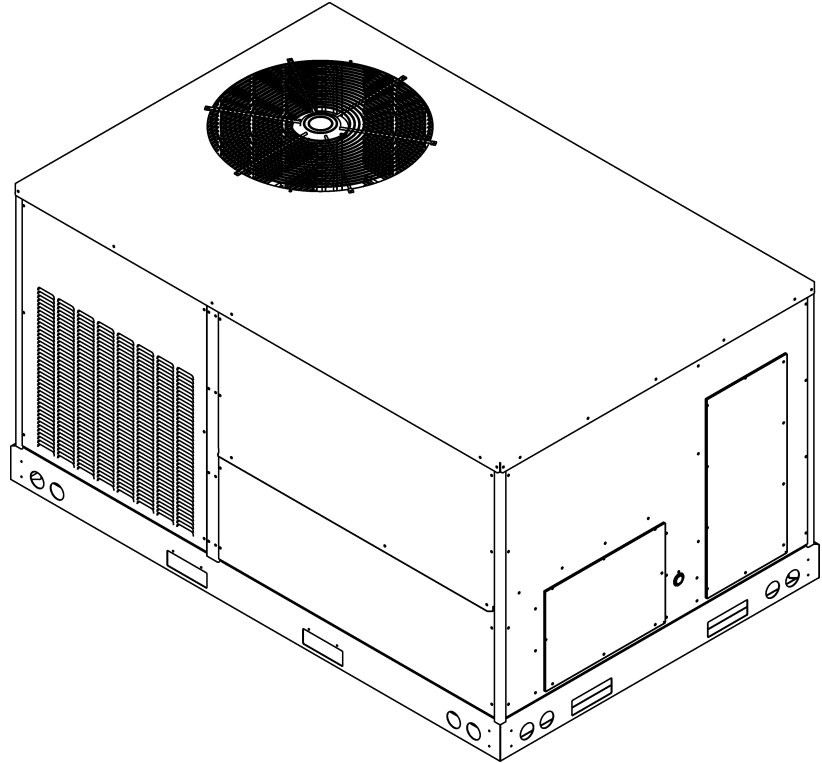


## APH16 "M" Series Residential Package Heat Pump

APH1660M41AA



Amana® is a registered trademark of Maytag Corporation or its related companies and is used under license. All rights reserved.

This manual is to be used by qualified technicians only.

# Important Information

---

## Index

Functional Parts List .....	3
Illustration and Parts .....	4 - 11

*Views shown are for parts illustrations only, not servicing procedures*

### Text Codes:

AR - As Required

NA - Not Available

NS - Not Shown

00000000 - See Note

QTY - Quantity Example (QTY 3) (If Quantity not shown, Quantity = 1)

M - Model Example (M1) (If M Code not shown, then part is used on all Models)

### Expanded Model Nomenclature:

Example M1 - Model#1 M2 - Model#2 M3 - Model#3
---

Goodman Company, L.P. is not responsible for personal injury or property damage resulting from improper service. Review all service information before beginning repairs.

Warranty service must be performed by an authorized technician, using authorized factory parts. If service is required after the warranty expires, Goodman Company, L.P. also recommends contacting an authorized technician and using authorized factory parts.

Goodman Company, L.P. reserves the right to discontinue, or change at any time, specifications or designs without notice or without incurring obligations.

For assistance within the U.S.A. contact:

Homeowner Support  
Goodman Company, L.P.  
19001 Kermier Road  
Waller, Texas 77484  
877-254-4729-Telephone  
713-863-2382-Facsimile

For assistance outside the U.S.A. contact:

International Division  
Goodman Company, L.P.  
19001 Kermier Road  
Waller, Texas 77484  
713-861-2500-Telephone  
713-863-2382-Facsimile

# Functional Parts

## Part

## No: Description:

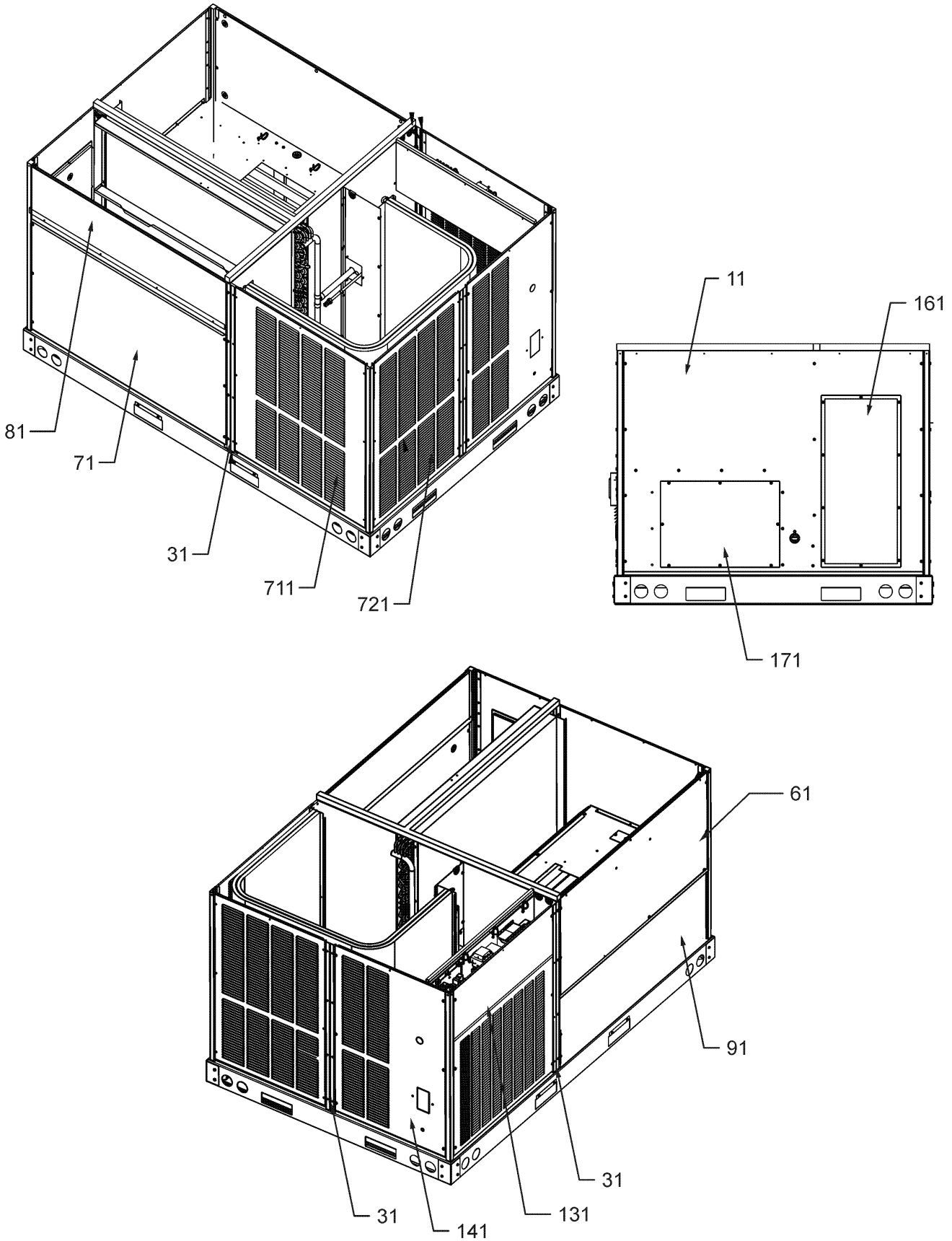
---

B1368000	BLOWER WHEEL 11 X 10
CAP100400440CT	CAP, 10/40 MFD, 440V/ DUAL RD
ZPS49K5EPFV130	COMPRESSOR 49100, 208/230/60/1
0131M00430	COND MOTOR 1/3 HP, 1 SP, 6 PL
CONT2P040024V	CONTACTOR 40 AMP, 2P, 24V
0130M00101	CONTROL,DEFROST
0130L00017	CRANKCASE HEATER 70W 240V
0130M00074	CUT-OUT SWITCH, HIGH PRESSURE
0130M00075	CUT-OUT SWITCH, LOW PRESSURE
PCBDM133	DEFROST CONTROL BOARD
0130M00106	DISC THERMOSTAT CRNKCS HTR
0131M00637	MOTOR-1 HP PROGRAMMED EON
PCBEM102	PCB, ECM PRIMARY, VSTB
0130M00242	RELAY, 24V
0151R00071	REVERSING VALVE
B1225022	SOLENOID COIL
0130M00138	TRANSFORMER 208/230, 24V
0151M00050	VALVE, NXT

### Expanded Model Nomenclature

M1 - APH1660M41AA
-------------------

# Cabinet Assy



# Cabinet Assy

Ref. Part No: No:	Description:	Ref. Part No: No:	Description:
-------------------	--------------	-------------------	--------------

---

**Image 1:**

11	0121L00342DG	DUCT PANEL
31	0121L01169RFDG	POST-SIDE RF PAINTED
31	0121L00343RFDG	POST-SIDE SUPPORT
61	0121L01172DG	DOOR-BLOWER, PAINTED [6 TON]
71	0121L00976DG	DOOR-ECONOMIZER
81	0270L00363DG	DOOR-FILTER
91	0121L01176DG	DOOR-COOLING&ELEC HEAT
131	0121L01170LG	CONTROL PANEL W/LOUVERS
141	0121L00354LG	PANEL-COMPRESSOR W/LOUVERS, PT
161	0121L00023DG	RETURN DUCT
171	0121L00024DG	SUPPLY DUCT
711	0121L00355LG	PANEL-SIDE LOUVERS, PAINTED
721	0121L00356LG	PANEL-END LOUVERS
NS	0164L00011	GASKET-RUBBER, SIDE POST

**Expanded Model Nomenclature**

M1 - APH1660M41AA

# Top and Partition Assy

IMAGE 1

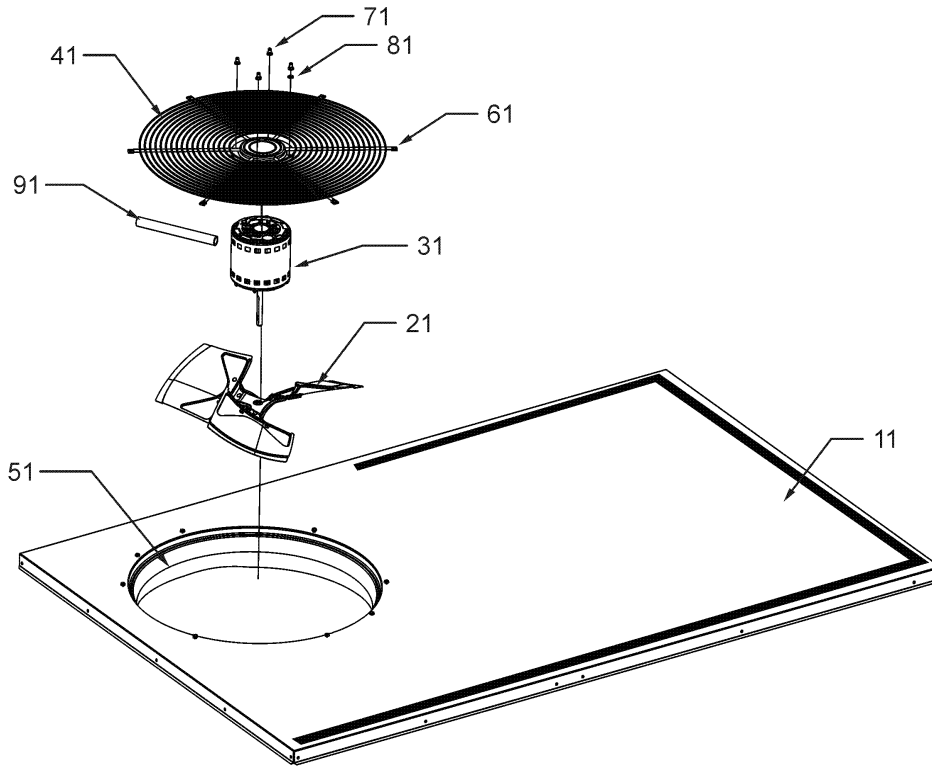
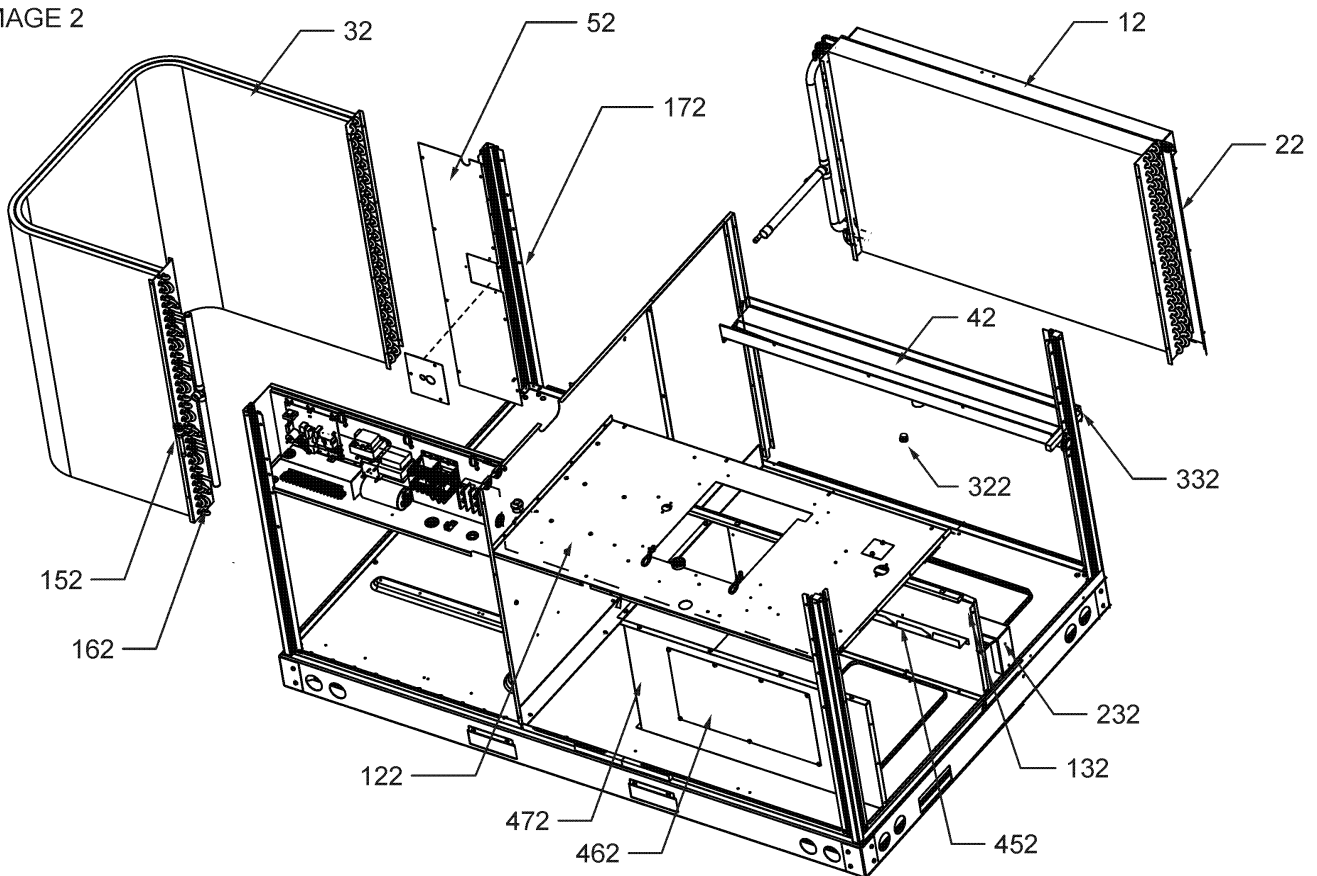


IMAGE 2



# Top and Partition Assy

Ref. Part No: No:	Description:	Ref. Part No: No:	Description:
-------------------	--------------	-------------------	--------------

**Image 1:**

11	0121L00235DG	TOP PAINTED
21	B1086765	FAN BLADE TYPE 3
31	0131M00430	COND MOTOR 1/3 HP, 1 SP, 6 PL
41	0152G00003	FAN GRILLE
51	0161L00000	VENTURI RING 22"
61	0163M00004	SCREW #10X3/4", BLACK
71	0163M00006P	ACORN NUT 5/16 HEX BLACK
81	0163M00005P	WASHER, BLACK (.50 OD .218ID)
91	17788000083F	PVC CONDUIT 8.25"

**Image 2:**

12	0202L00151	EVAPORATOR COIL TUBING ASSY
22	0121L00345	BLOCKOFF-EVAPORATOR
32	0201L00286	CONDENSER COIL ASSY
42	0161L00005	DRAIN PAN
52	0121L00348	COND BLOCK-OFF
122	0121L01442	DECK BLOWER
132	0121L00243	DECK SIDE CHANNEL
152	0151M00050	VALVE, NXT
162	0130M00101	CONTROL,DEFROST
172	0121L00349	COND MOUNTING ANGLE
232	0121L00238	DRAIN PAN SUPPORT
322	0163L00071	DRAIN PLUG
332	0154L00009	DRAIN PAN GASKET
452	0121L00288	ELECTRIC HEAT RETAINER
462	0121L00144	ELECTRIC HEAT COVER
472	0121L00256	ELECTRIC HEAT PANEL
NS	0121L00939	CONDENSER BLOCKOFF PLATE

**Expanded Model Nomenclature**

M1 - APH1660M41AA
-------------------

# Compressor and Tubing Assy

IMAGE 1

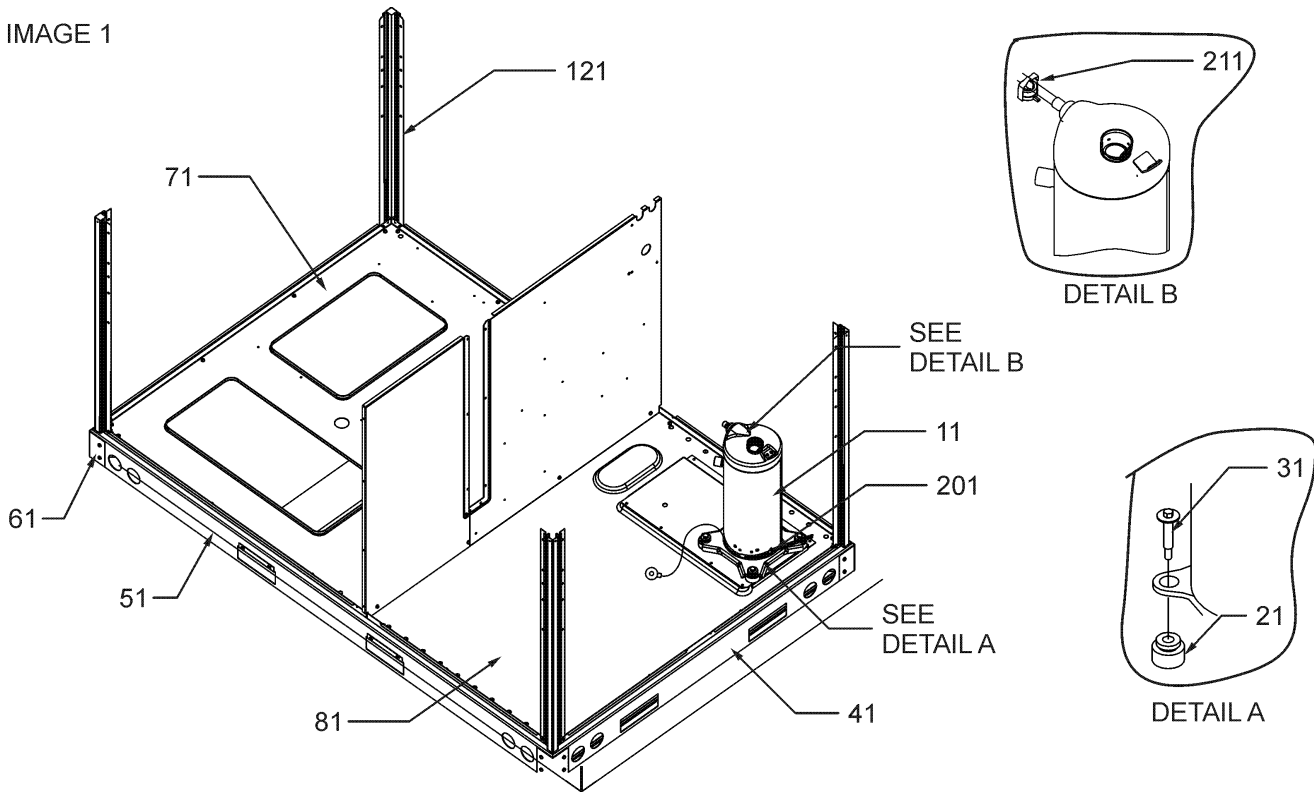
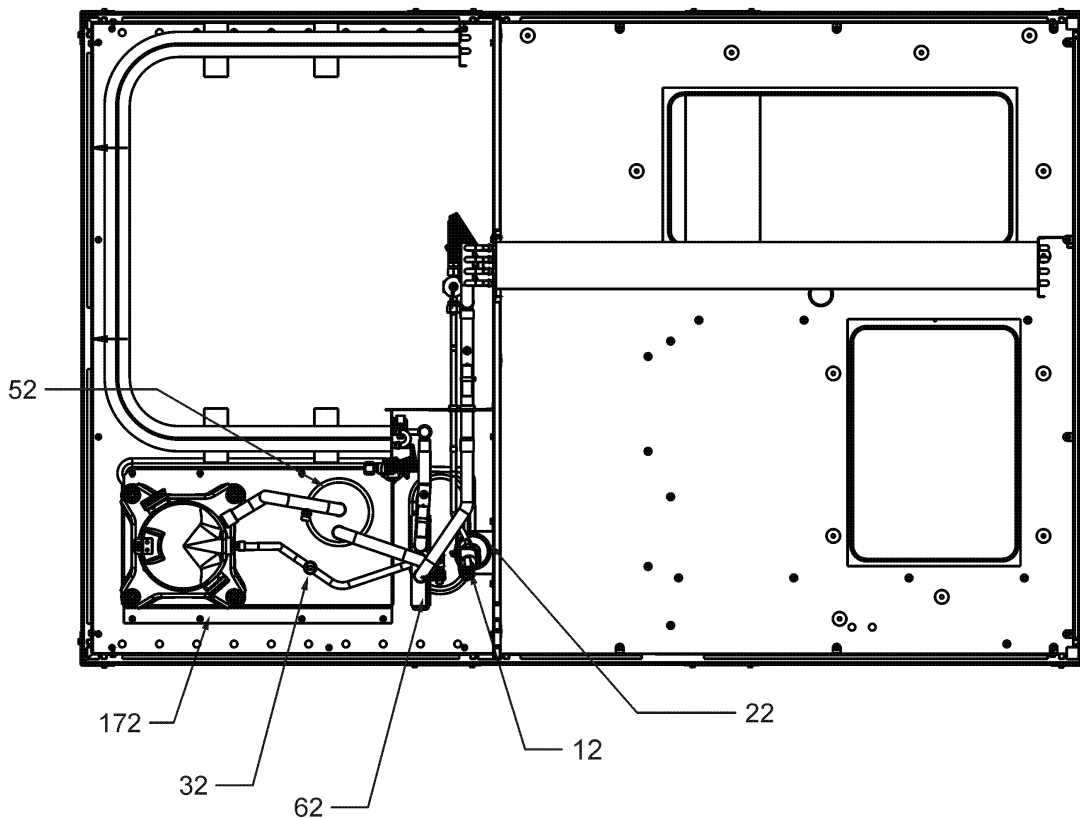


IMAGE 2



# Compressor and Tubing Assy

Ref. Part No: No:	Description:	Ref. Part No: No:	Description:
-------------------	--------------	-------------------	--------------

---

**Image 1:**

11	ZPS49K5EPFV130	COMPRESSOR 49100, 208/230/60/1
21	B1339533	COMPRESSOR GROMMET
31	M0221641	TF SHOULDER SCREW
41	0121L00245	END RAIL (QTY 2)
51	0121L00244RF	SIDE RAIL (QTY 2)
61	0121G00301	RAIL CORNER BRACKET (QTY 4)
71	0121L01307	BASE PAN-OUTDOOR
81	0121L00943	BASE PAN-INDOOR
121	0121L01201RFDG	RF, PNT, POST-CORNER (QTY 4)
201	0130L00017	CRANKCASE HEATER 70W 240V
211	0130M00106	DISC THERMOSTAT CRNKCS HTR
NS	0121L00055	BRACKET-FORK BOARD (QTY 4)
NS	0159L00027	COMPRESSOR SCROLL HARNESS
NS	B1488806	COMPRESSOR SOUND BLANKET
NS	0141L00003X	FORK BOARD (QTY 2)
NS	0164L00009	GASKET-RUBBER, CORNER POST (QTY 3)

**Image 2:**

12	0130M00075	CUT-OUT SWITCH, LOW PRESSURE
22	20485201	BI-FLOW FILTER DRIER
32	0130M00074	CUT-OUT SWITCH, HIGH PRESSURE
52	B1226207	ACCUMULATOR .875
62	0151R00071	REVERSING VALVE
172	0121L01308	MOUNTING PLATE-COMPRESSOR
NS	B1373315	ACCESS FITTING
NS	B1225022	SOLENOID COIL

**Expanded Model Nomenclature**

M1 - APH1660M41AA

# Blower and Control Box Assy

IMAGE 1

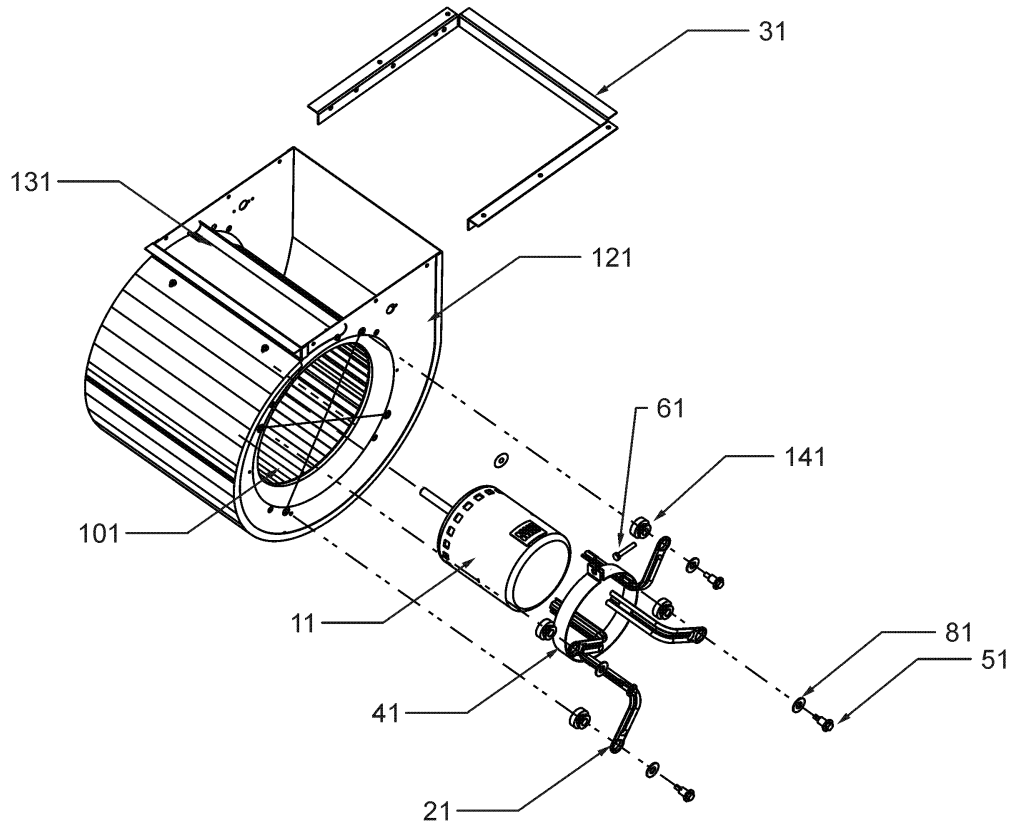
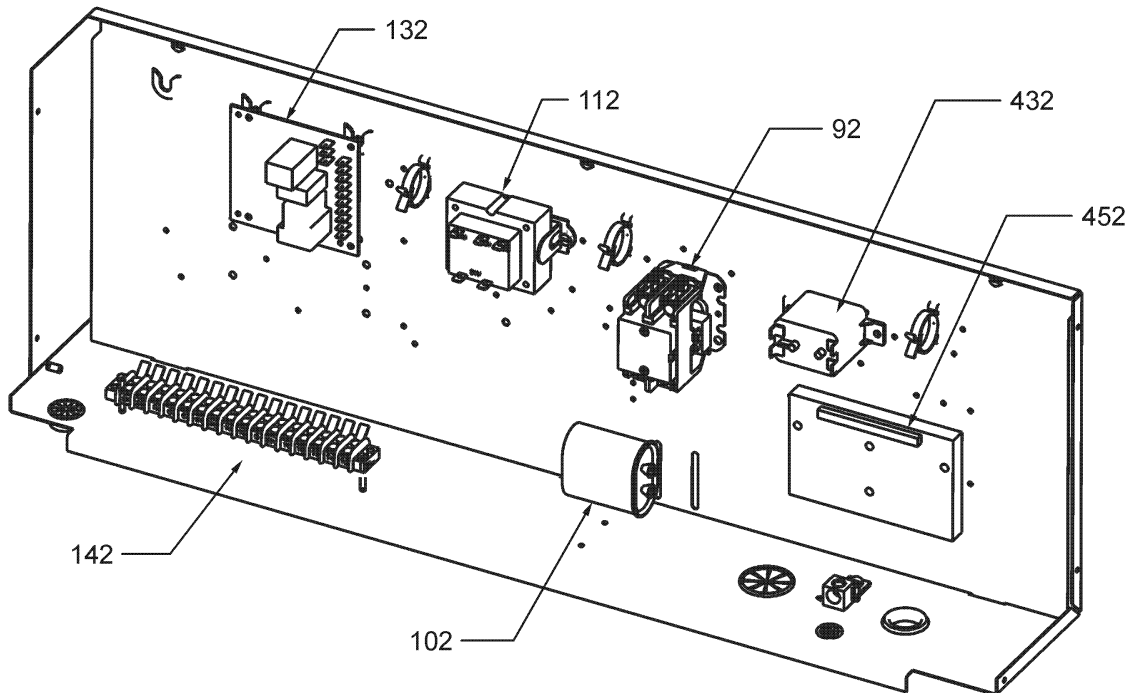


IMAGE 2



# Blower and Control Box Assy

Ref. Part No: No:	Description:	Ref. Part No: No:	Description:
-------------------	--------------	-------------------	--------------

**Image 1:**

11	0131M00637	MOTOR-1 HP PROGRAMMED EON
21	10441501	MOTOR MOUNT ARM
31	0121L00281	BLOWER MOUNTING ANGLE
41	10441601	MOTOR MOUNT BAND
51	M0221461	TC SCREW
61	M0267144	MACHINE SCREW
81	M0274008	WASHER-FLAT (QTY 4)
101	B1368000	BLOWER WHEEL 11 X 10
121	11185811	BLOWER HOUSING 11 X 10
131	C6121807	BLOWER CUT-OFF
141	A4002702	BLOWER MOTOR GROMMET
NS	M0282015	KEPS NUT

**Image 2:**

92	CONT2P040024V	CONTACTOR 40 AMP, 2P, 24V
102	CAP100400440CT	CAP, 10/40 MFD, 440V/ DUAL RD
112	0130M00138	TRANSFORMER 208/230, 24V
132	PCBDM133	DEFROST CONTROL BOARD
142	0130M00038	TERMINAL BOARD
432	0130M00242	RELAY, 24V
452	PCBEM102	PCB, ECM PRIMARY, VSTB
NS	0159G00001	COMPRESSOR SOLENOID CABLE
NS	0259L00411	HARNESS, ECONOMIZER
NS	0259L00409	HARNESS, WIRING
NS	0259L00410	HARNESS, WIRING
NS	0259L00414	HARNESS, WIRING
NS	B1378701	WIRE HARNESS, HIGH VOLTAGE (5-PIN ECM)
NS	B1378700	WIRE HARNESS, LOW VOLTAGE (16-PIN ECM)
NS	0259L00070	WIRING HARNESS

**Expanded Model Nomenclature**

M1 - APH1660M41AA