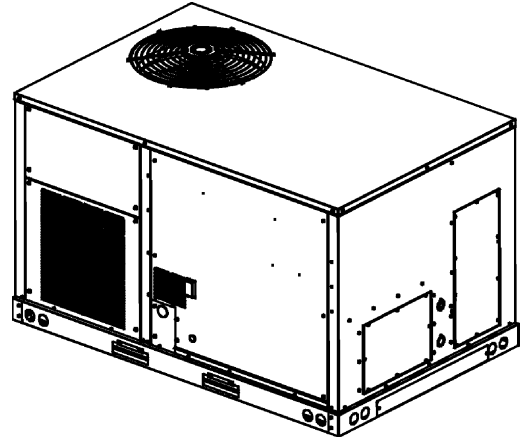


APG16 "M" Series Residential Package Gas Unit

APG1660140M41BA



Amana® is a registered trademark of Maytag Corporation or its related companies and is used under license. All rights reserved.

This manual is to be used by qualified technicians only.

© 2020 Goodman Company, L.P. ♦ 5151 San Felipe St, Suite 500 ♦ Houston, TX 77056

Important Information

Index

Functional Parts List	3
Illustration and Parts	4 - 15

Views shown are for parts illustrations only, not servicing procedures

Text Codes:

AR - As Required

NA - Not Available

NS - Not Shown

00000000 - See Note

QTY - Quantity Example (QTY 3) (If Quantity not shown, Quantity = 1)

M - Model Example (M1) (If M Code not shown, then part is used on all Models)

Expanded Model Nomenclature:

Example M1 - Model#1 M2 - Model#2 M3 - Model#3

Goodman Company, L.P. is not responsible for personal injury or property damage resulting from improper service. Review all service information before beginning repairs.

Warranty service must be performed by an authorized technician, using authorized factory parts. If service is required after the warranty expires, Goodman Company, L.P. also recommends contacting an authorized technician and using authorized factory parts.

Goodman Company, L.P. reserves the right to discontinue, or change at any time, specifications or designs without notice or without incurring obligations.

For assistance within the U.S.A. contact:

Homeowner Support
Goodman Company, L.P.
19001 Kermier Road
Waller, Texas 77484
877-254-4729-Telephone
713-863-2382-Facsimile

For assistance outside the U.S.A. contact:

International Division
Goodman Company, L.P.
19001 Kermier Road
Waller, Texas 77484
713-861-2500-Telephone
713-863-2382-Facsimile

Functional Parts

Part

No: Description:

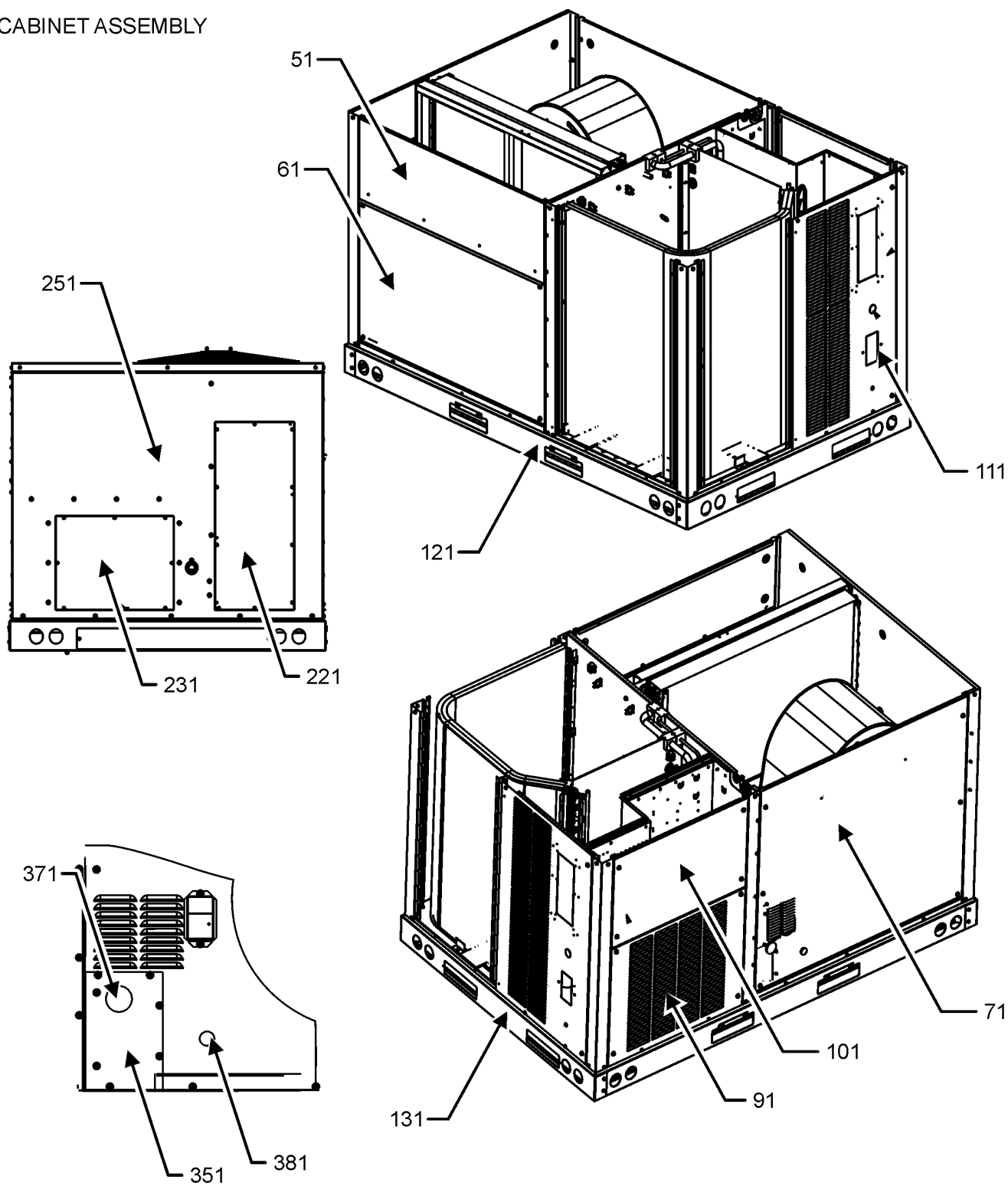
0163F00017	BECKETT BURNER (QTY 6)
10625733	BLADE-FAN 22" ALUM CCW
ZPS49K5EPFV130	COMP, 49100,208/230/60/1
CONT2P025024V	CONT, 2 POLE, 25 AMP, 24 VAC (QTY 2)
CONT2P040024V	CONT, 2 POLE, 40 AMP, 24 VAC
0130M00178	DPDT RELAY 24VAC (QTY 3)
0130F00010	FLAME SENSOR
0151F00000P	GAS VALVE - WHITE-RODGERS 2-STAGE
0130M00280	HIGH PRESSURE SWITCH
20261709	IGNITOR
0130F00067	LIMIT, PRIMARY
20162904	LIMIT-BROWN
10123532	LIMIT-RESET MAN-GRAY
0130M00087	LOW PRESSURE SWITCH
0131M00804	MOTOR, ECM
PCBAG123	PCB, IGNITION, DSI, INTEG
0131L00130	PROGRAM, MOTOR
11112501	SWITCH-PRESSURE
B1141654	TRANSFORMER,208-240,75VA,RESET

Expanded Model Nomenclature

M1 - APG1660140M41BA

CABINET ASSEMBLY

CABINET ASSEMBLY



BURNER DOOR DETAIL

NOTE: CABINET ASSEMBLY MAY DIFFER FROM WHAT IS SHOWN

CABINET ASSEMBLY

Ref. Part No:	No:	Description:	Ref. Part No:	No:	Description:
---------------	-----	--------------	---------------	-----	--------------

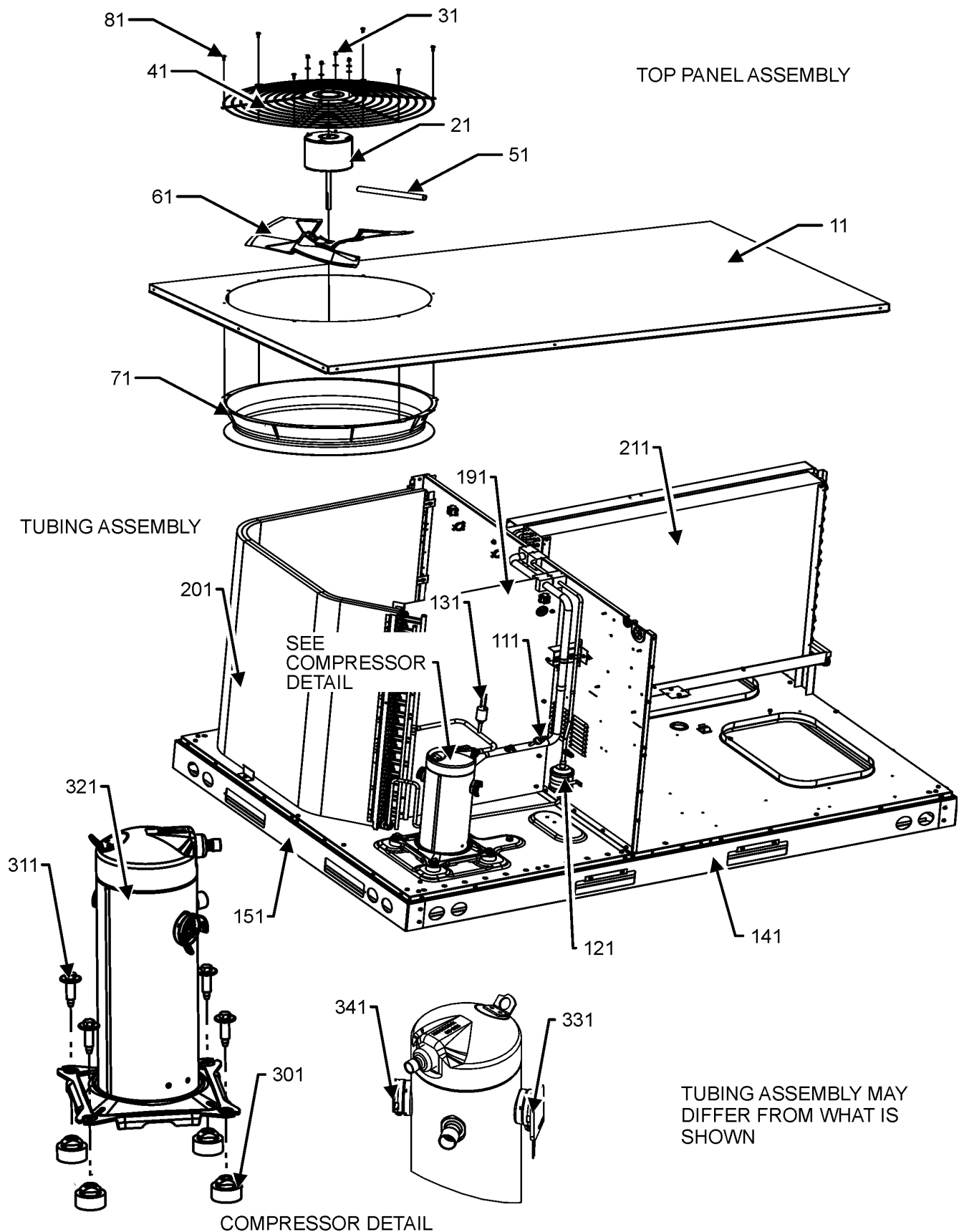
Image 1:

51	0121L01650DG	PAINTED FILTER PANEL
61	0121L01651DG	PAINTED ECONOMIZER PANEL
71	0121L03627DG	PAINTED, PANEL GAS BLOWER
91	0121L02265DG	PAINTED COMPRESSOR PANEL
101	0121L02262DG	PAINTED CONTROL BOX PANEL
111	0121L03643DG	PNT., COMPRESSOR BACK PANEL
121	0121L01620	SIDE RAIL (QTY 2)
131	0121L01621	END RAIL (QTY 2)
221	0121L02910DG	PAINTED COVER-DUCT RETURN
231	0121L02911DG	PAINTED COVER-DUCT SUPPLY
251	0121L03346DG	PAINTED DUCT PANEL
351	0121L03443DG	PAINTED, GAS INLET PANEL
371	B1910010	GROMMET, GAS LINE
381	B1392139	VIEW PORT BUSHING, CLEAR 1.0
NS	0121L03771	HAIL GUARD
NS	0121L03892	HEAT EXCHANGER FLASHING

Expanded Model Nomenclature

M1 - APG1660140M41BA

TOP PANEL AND TUBING ASSEMBLY



TOP PANEL AND TUBING ASSEMBLY

Ref. Part No:	Part No:	Description:	Ref. Part No:	Part No:	Description:
---------------	----------	--------------	---------------	----------	--------------

Image 1:

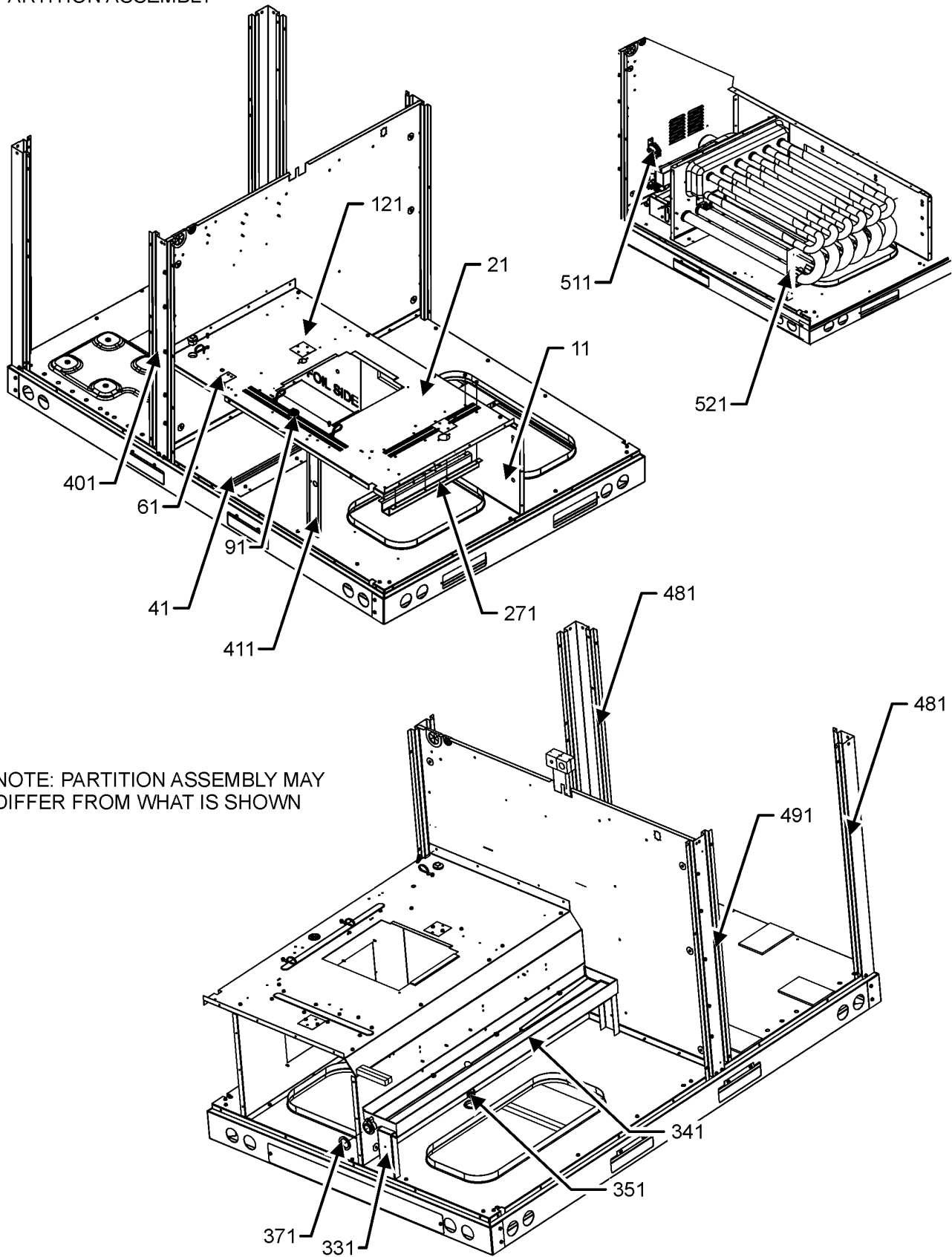
11	0121L01626DG	PAINTED, TOP PANEL			
21	0131M00804	MOTOR, ECM			
31	0163M00006P	ACORN NUT 5/16 HEX BLACK (QTY 4)			
41	0152G00000	FAN GRILLE, RAISED			
51	0161R00003P	CONDUIT			
61	10625733	BLADE-FAN 22" ALUM CCW			
71	0161R00048	MOLDED RING-VENTURI 22			
81	0163M00004	SCREW #10X3/4", BLACK (QTY 8)			
111	0130M00087	LOW PRESSURE SWITCH			
121	20485201	FILTER/DRIER-BI-FLOW			
131	0130M00280	HIGH PRESSURE SWITCH			
141	0121L01620	SMALL SIDE RAIL (QTY 2)			
151	0121L01621	SMALL END RAIL (QTY 2)			
191	0121L01634	OD COIL BLOCKOFF			
201	0201L00323	ASSY., OD COIL TUBING			
211	0211L00152	ASSY., EVAP TUBING			
301	B1339533	COMPRESSOR GROMMET (QTY 4)			
311	B1393740	COMP. BOLT & SLEEVE (QTY 4)			
321	ZPS49K5EPFV130	COMP, 49100,208/230/60/1			
331	0159L00027	COMPRESSOR SCROLL HARNESS			
341	0159G00010	CABLE, COMPR SCROLL			
NS	0141L00003X	BOARD-FORK (QTY 2)			
NS	0160M00038	COMPRESSOR BLANKET			
NS	0121L03516	PNL, BRACKET, FORK BOARD (QTY 4)			
NS	0163M00005P	WASHER, BLACK (.50 OD .218ID) (QTY 4)			

Expanded Model Nomenclature

M1 - APG1660140M41BA

PARTITION ASSEMBLY

PARTITION ASSEMBLY



NOTE: PARTITION ASSEMBLY MAY DIFFER FROM WHAT IS SHOWN

PARTITION ASSEMBLY

Ref. Part No:	No:	Description:	Ref. Part No:	No:	Description:
---------------	-----	--------------	---------------	-----	--------------

Image 1:

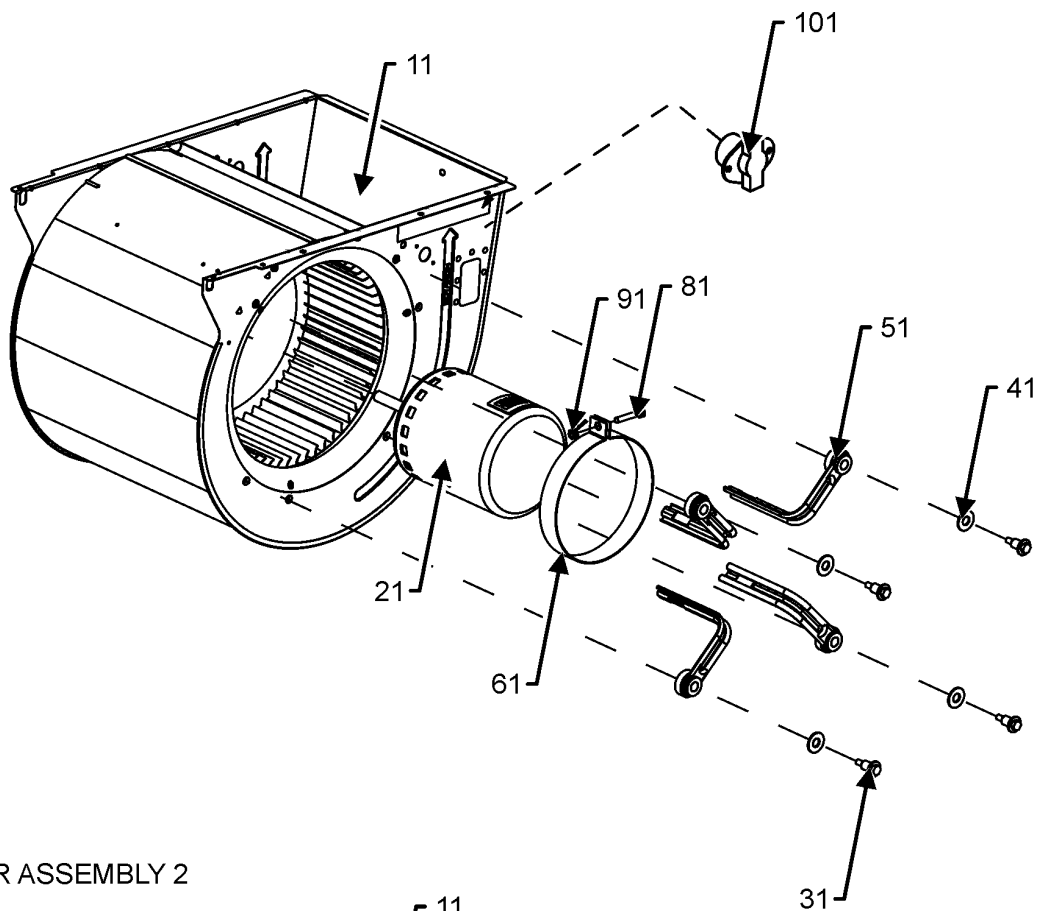
11	0121L02584	BLOWER DECK SIDE			
21	0121L03755	PANEL, BLOWER DECK			
41	0121L00266	CHANNEL-HEAT PANEL (QTY 2)			
61	0121L01709	BLOWER DECK PLATE			
91	B1392147	UNIVERSIAL BUSHING WITH SLICE (QTY 2)			
121	0121L00321	COVER-SMOKE DETECTOR (QTY 2)			
271	0121L02633	BLOWER DECK U-BRACKET			
331	0121L01628	DRAINPAN SUPPORT			
341	0161L00007	DRAIN PAN, EVAPORATOR 3-5 TON			
351	0163L00071	PLUG, DRAIN			
371	0154L00180	GASKET, DRAIN PAN			
401	0121L02698DG	PAINTED SIDE POST			
411	0121L00300	POST-DECK SUPPORT			
481	0121L01625DG	PAINTED CORNER POST (QTY 2)			
491	0121L03445DG	PAINTED SIDE POST			
511	11112501	SWITCH-PRESSURE			
521	0121L03320	BRACKET, TUBE SUPPORT			
NS	0121L00293	ANGLE-HEAT EXCHANGER BACK (QTY 2)			
NS	0121L02900	BLOWER SIDE PLATE			
NS	0121L03125	BRACKET, TUBE (QTY 6)			
NS	0121L02935	BRACKET, TUBE SUPPORT			
NS	A4568804	GROMMET-D			
NS	0164G00005	GROMMET-HORSESHOW 1.675			
NS	0121L03127	HORIZONTAL SUPPORT (QTY 2)			
NS	0121L02260	OD COIL BLOCKOFF ANGLE			
NS	0121L03141	SIDE SUPPORT (QTY 2)			

Expanded Model Nomenclature

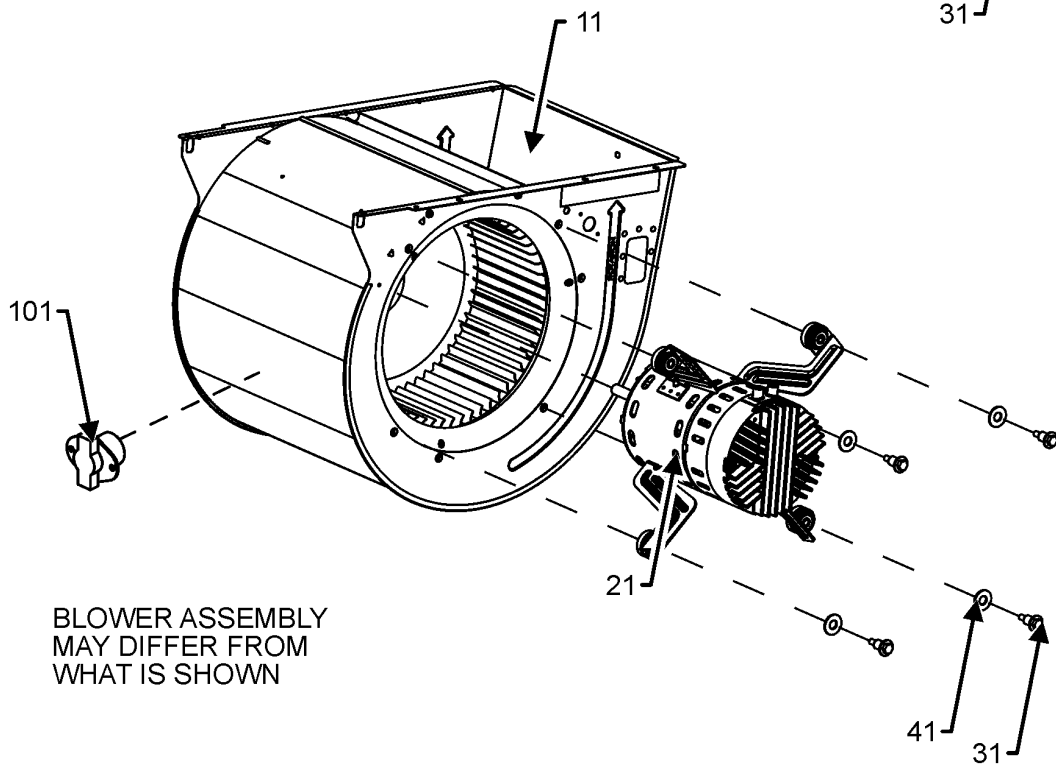
M1 - APG1660140M41BA

BLOWER ASSEMBLY

BLOWER ASSEMBLY 1



BLOWER ASSEMBLY 2



BLOWER ASSEMBLY
MAY DIFFER FROM
WHAT IS SHOWN

BLOWER ASSEMBLY

Ref. Part No:	No:	Description:	Ref. Part No:	No:	Description:
---------------	-----	--------------	---------------	-----	--------------

Image 1:

11	0271L00133	ASSY., HOUSING, BLWR
21	0131L00130	PROGRAM, MOTOR
31	M0250565	SCREW-TC 1.25" (QTY 4)
41	B1392918	WASHER, FLAT 1/4 ID X 1 OD (QTY 4)
51	0163A00008	MOTOR MOUNTING ARM (QTY 4)
61	10441601	BAND-MTR MOUNT
81	M0267144	SCREW-MACH
91	M0282015	NUT-KEPS
101	20162904	LIMIT-BROWN

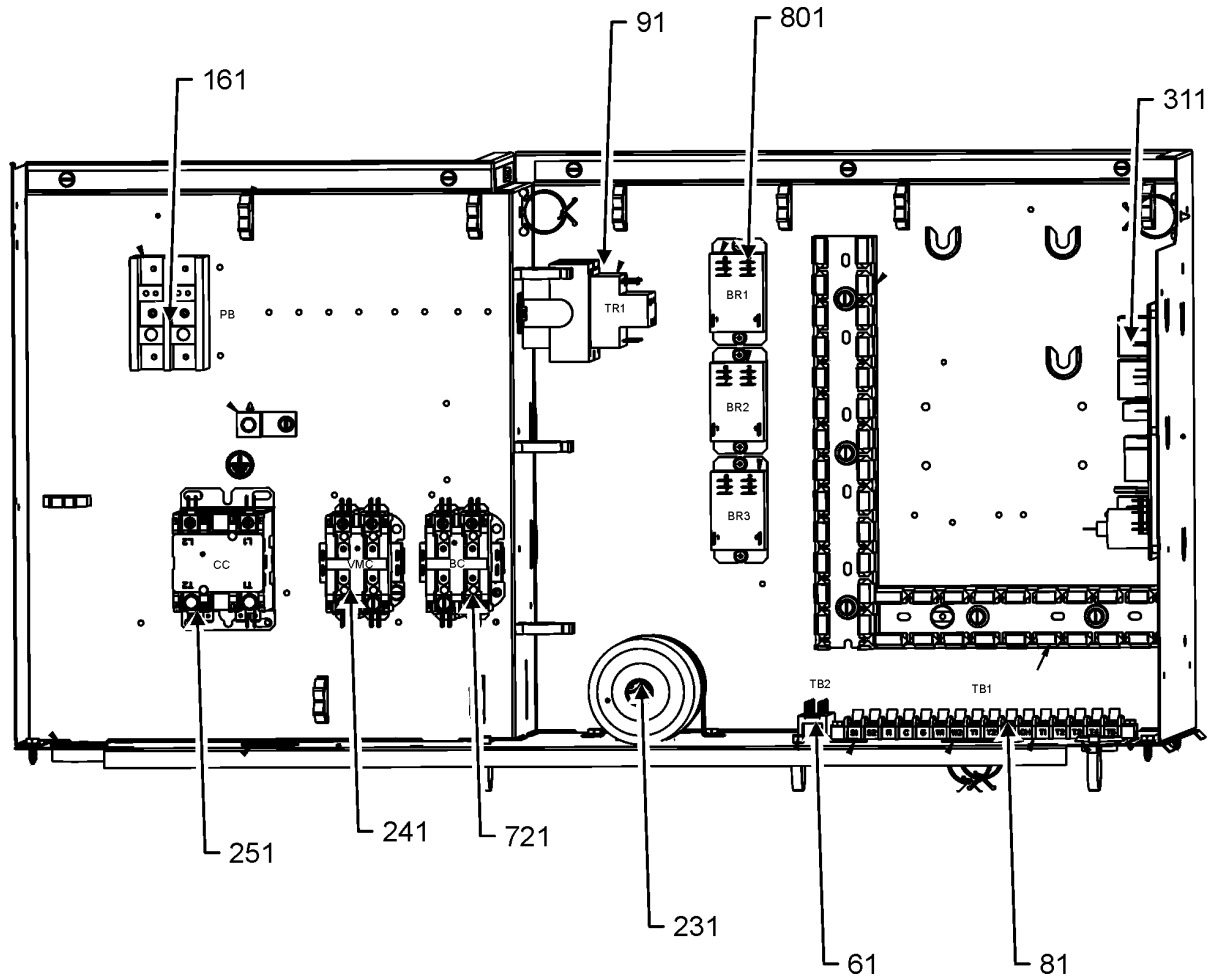
Expanded Model Nomenclature

M1 - APG1660140M41BA

CONTROL BOX ASSEMBLY

CONTROL BOX ASSEMBLY

1 PHASE



CONTROL BOX ASSEMBLY MAY DIFFER FROM WHAT IS SHOWN

CONTROL BOX ASSEMBLY

Ref. Part No: No:	Description:	Ref. Part No: No:	Description:
----------------------	--------------	----------------------	--------------

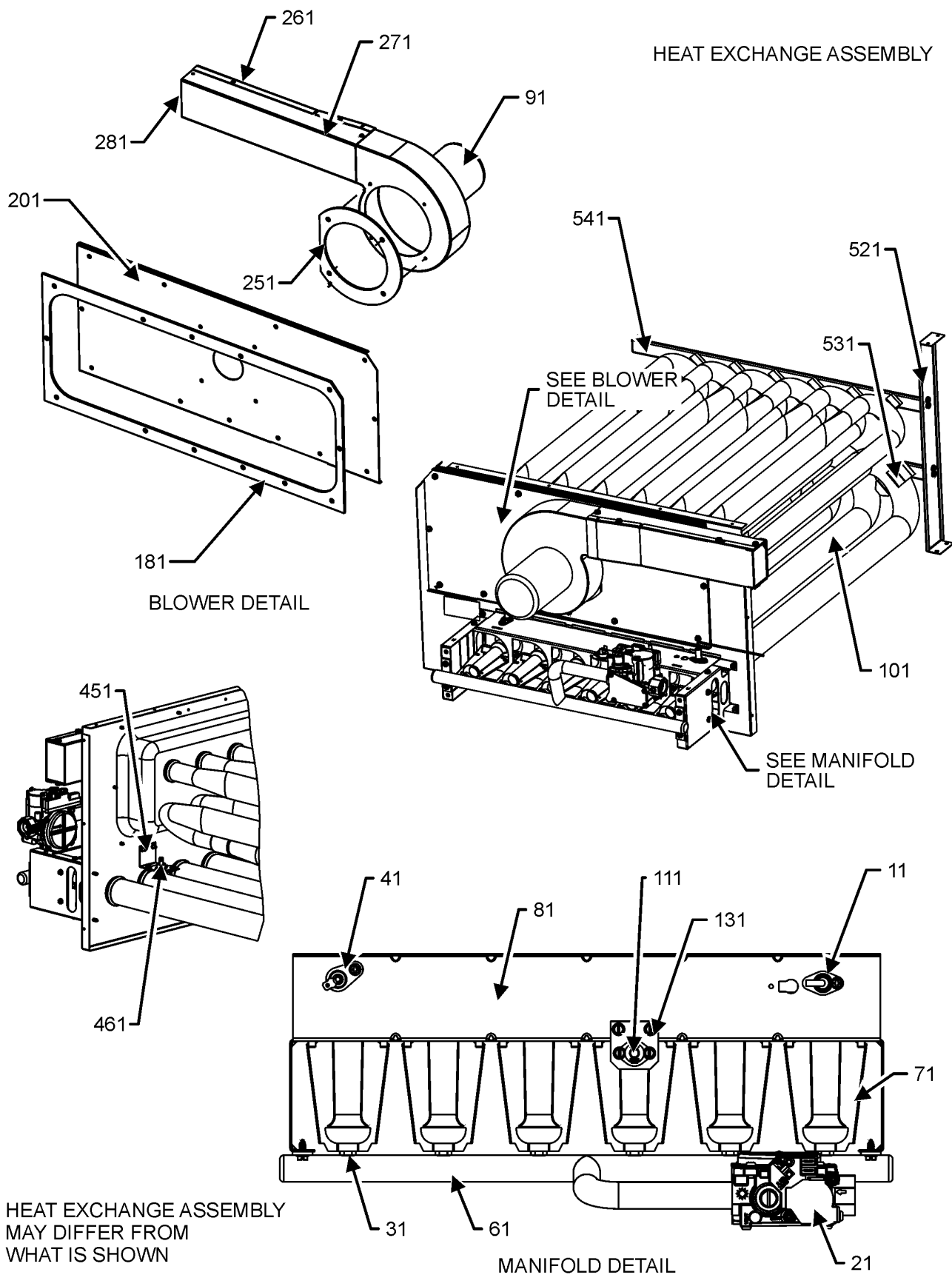
Image 1:

61	802007090	TERM BOARD
81	0130M00038	TERMINAL BOARD
91	B1141654	TRANSFORMER ,208-240,75VA,RESET
161	16220-2	BLOCK, POWER
231	CAP400000440CS	CAP,40MFD/440 V/SINGLERD
241	CONT2P025024V	CONT, 2 POLE, 25 AMP, 24 VAC
251	CONT2P040024V	CONT, 2 POLE, 40 AMP, 24 VAC
311	PCBAG123	PCB, IGNITION, DSI, INTEG
721	CONT2P025024V	CONT, 2 POLE, 25 AMP, 24 VAC
801	0130M00178	DPDT RELAY 24 VAC (QTY 3)
NS	0164M00079	BOOT-CAPACITOR, ROUND
NS	0130M00507	MOTOR POWER HARNESS
NS	20520901	STRAP-CAPACITOR
NS	0130M00506	X-13 LOW VOLTAGE WIRE HARNESS

Expanded Model Nomenclature

M1 - APG1660140M41BA

HEAT EXCHANGE ASSEMBLY



HEAT EXCHANGE ASSEMBLY

Ref. Part No: No:	Description:	Ref. Part No: No:	Description:
-------------------	--------------	-------------------	--------------

Image 1:

11	20261709	IGNITOR
21	0151F00000P	GAS VALVE - WHITE-RODGERS 2-STAGE
31	0163F00018	ORIFICE (QTY 6)
41	0130F00010	FLAME SENSOR
61	0163L00025	MANIFOLD-GAS, 6 BURNER
71	0163F00017	BECKETT BURNER (QTY 6)
81	0121L01363	BRACKET, BURNER 6
91	0131L00002	VENT MOTOR
101	0270L01369	ASSY, PANEL, PRTN/TUBE, 6 - SS
111	10123532	LIMIT-RESET MAN-GRAY
131	0121L00053	BRACKET-FLAME ROLLOUT
181	0154L00007	GASKET, BLOWER/ORIFICE PLATE
201	0121L03434	PLATE, ID BLOWER
251	0154L00007	GASKET, BLOWER/ORIFICE PLATE
261	0121L01355	FLUE CHANNEL
271	0121L01356	FLUE SIDE COVER
281	0163L00072	SCREEEN-FLUE
451	0121L03948	BRACKET, PRIMARY LIMIT
461	0130F00067	LIMIT, PRIMARY
521	0121L03320	BRACKET, TUBE SUPPORT
531	0121L03125	BRACKET, TUBE (QTY 6)
541	0121L02935	BRACKET, SUPPORT, TUBE

Expanded Model Nomenclature

M1 - APG1660140M41BA