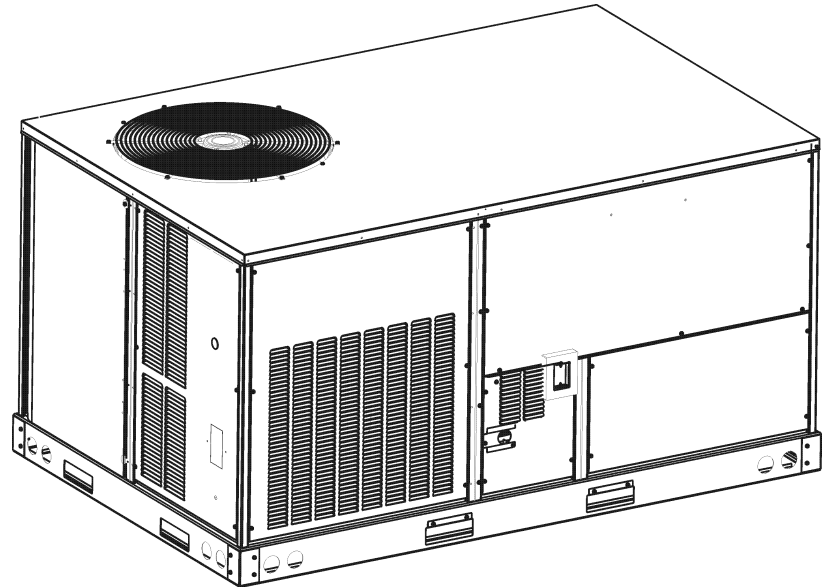


APG16 "M" Series Residential Package Gas Unit

APG1660140M41AA



Amana® is a registered trademark of Maytag Corporation or its related companies and is used under license. All rights reserved.

This manual is to be used by qualified technicians only.

© 2016 Goodman Company, L.P. ♦ 5151 San Felipe St, Suite 500 ♦ Houston, TX 77056

Important Information

Index

Functional Parts List	3
Illustration and Parts	4 - 13

Views shown are for parts illustrations only, not servicing procedures

Text Codes:

AR - As Required

NA - Not Available

NS - Not Shown

00000000 - See Note

QTY - Quantity Example (QTY 3) (If Quantity not shown, Quantity = 1)

M - Model Example (M1) (If M Code not shown, then part is used on all Models)

Expanded Model Nomenclature:

Example M1 - Model#1 M2 - Model#2 M3 - Model#3

Goodman Company, L.P. is not responsible for personal injury or property damage resulting from improper service. Review all service information before beginning repairs.

Warranty service must be performed by an authorized technician, using authorized factory parts. If service is required after the warranty expires, Goodman Company, L.P. also recommends contacting an authorized technician and using authorized factory parts.

Goodman Company, L.P. reserves the right to discontinue, or change at any time, specifications or designs without notice or without incurring obligations.

For assistance within the U.S.A. contact:

Homeowner Support
Goodman Company, L.P.
19001 Kermier Road
Waller, Texas 77484
877-254-4729-Telephone
713-863-2382-Facsimile

For assistance outside the U.S.A. contact:

International Division
Goodman Company, L.P.
19001 Kermier Road
Waller, Texas 77484
713-861-2500-Telephone
713-863-2382-Facsimile

Functional Parts

Part

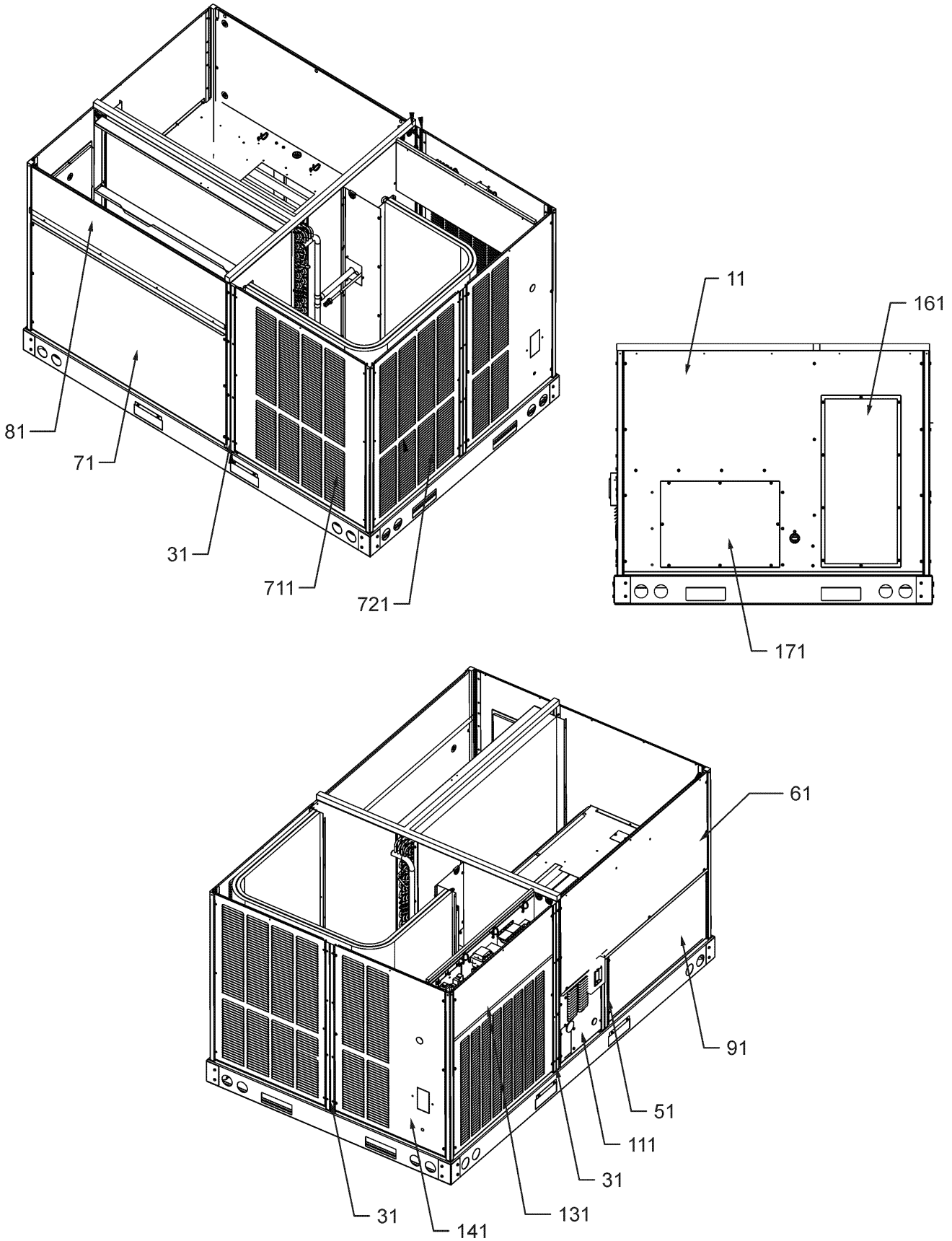
No: **Description:**

0130M00025	24V RELAY
20269903	AUXILIARY LIMIT, AUTO RESET
B1368000	BLOWER WHEEL 11 X 10
CAP100400440CT	CAP, 10/40 MFD, 440V/ DUAL RD
ZPS49K5EPFV130	COMPRESSOR 49100, 208/230/60/1
0131M00430	COND MOTOR 1/3 HP, 1 SP, 6 PL
CONT2P040024V	CONTACTOR 40 AMP, 2P, 24V
0130M00074	CUT-OUT SWITCH, HIGH PRESSURE
0130M00087	CUT-OUT SWITCH, LOW PRESSURE
0130F00010	FLAME SENSOR
0151F00000P	GAS VALVE - WHITE-RODGERS 2-STAGE
PCBAG123	IGNITION BOARD, DSI INTEGRATED
20261709	IGNITOR
0130F00105	LIMIT SWITCH
10123532	MANUAL RESET LIMIT 350°F
0131M00637	MOTOR-1 HP PROGRAMMED EON
PCBEM102	PCB, ECM PRIMARY, VSTB
11112501	PRESSURE SWITCH
0130M00138	TRANSFORMER 208/230, 24V
0151M00050	VALVE, NXT
0131L00002	VENT MOTOR

Expanded Model Nomenclature

M1 - APG1660140M41AA

Cabinet Assy



Cabinet Assy

Ref. Part No: No:	Description:	Ref. Part No: No:	Description:
-------------------	--------------	-------------------	--------------

Image 1:

11	0121L00342DG	DUCT PANEL-PAINTED
31	0121L01169RFDG	POST-SIDE RF, PAINTED [6TON]
31	0121L00343RFDG	POST-SIDE SUPPORT
51	0121L01110RFDG	RF, POST-BURNER PAINTED 3-6TON
61	0121L01172DG	DOOR-BLOWER, PAINTED [6 TON]
71	0121L00976DG	DOOR-ECONOMIZER, PAINTED
81	0270L00363DG	DOOR-FILTER, ASSY, PAINTED
91	0121L01108DG	Door-Heat Exchanger Painted
111	0121L01388DG	DOOR, BURNER, PNT 3
131	0121L01170LG	Control Panel w/ Louvers
141	0121L00354LG	PANEL-COMPRESSOR W/LOUVERS, PT
161	0121L00023DG	PNT-RETURN DUCT COVER
171	0121L00024DG	PNT-SUPPLY DUCT COVER
711	0121L00355LG	PANEL-SIDE LOUVERS, PAINTED
721	0121L00356LG	PANEL-END LOUVERS, PAINTED
NS	0164L00011	GASKET-RUBBER, SIDE POST
NS	0121L01389DG	PANEL, BURNER DOOR 3
NS	0121L01175DG	PNT, FLUE COLLAR [3-6 TON]
NS	0121L00689	RAIN SHIELD DOOR

Expanded Model Nomenclature

M1 - APG1660140M41AA

Top and Partition Assy

IMAGE 1

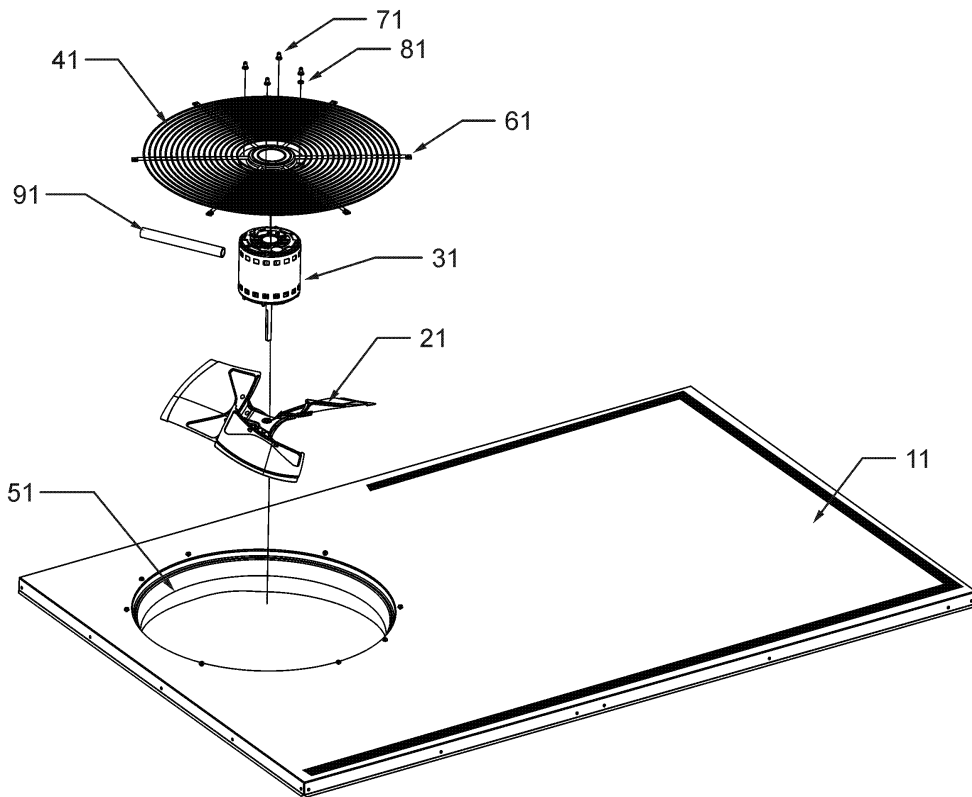
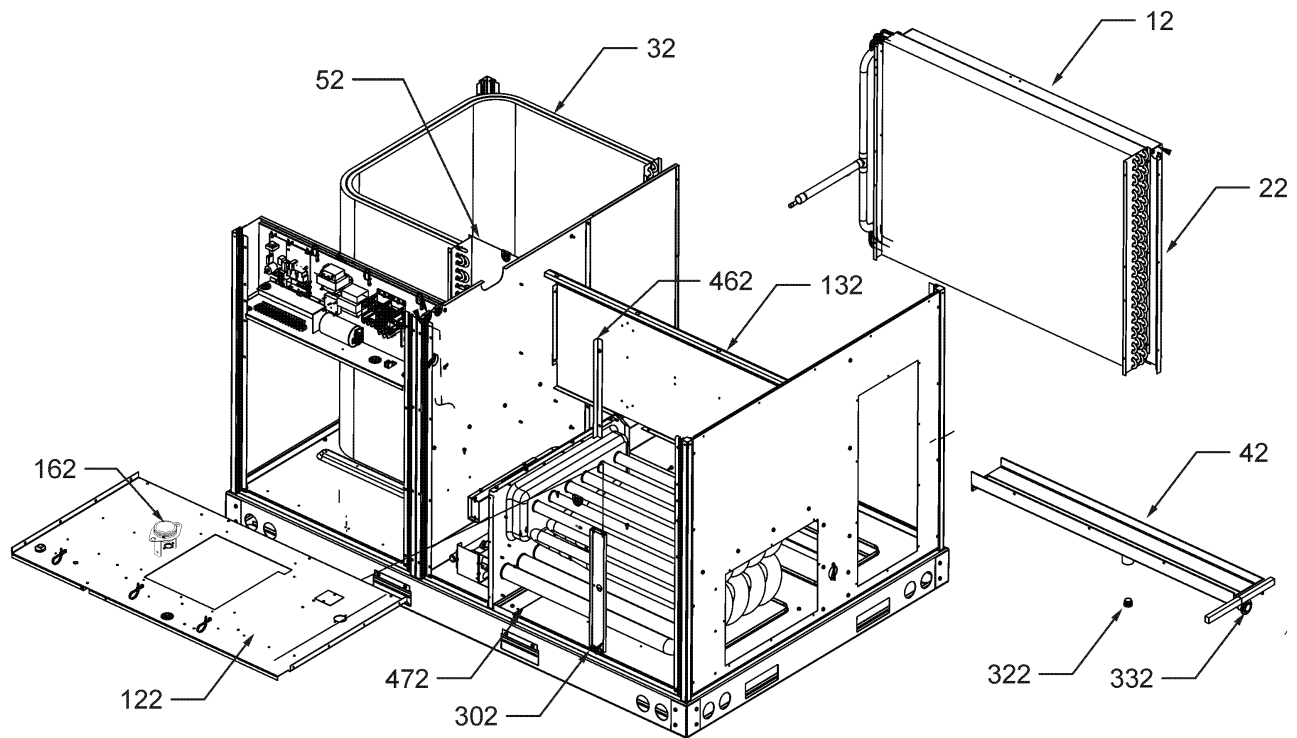


IMAGE 2



Top and Partition Assy

Ref. Part No: No:	Description:	Ref. Part No: No:	Description:
-------------------	--------------	-------------------	--------------

Image 1:

11	0121L00235DG	TOP, PAINTED
21	B1086765	FAN BLADE TYPE 3
31	0131M00430	COND MOTOR 1/3 HP, 1 SP, 6 PL
41	0152G00003	FAN GRILL
51	0161L00000	VENTURI RING 22"
61	0163M00004	SCREW, #10X3/4", BLK
71	0163M00006P	NUT, ACORN 5/16 HEX BLACK
81	0163M00005P	WASHER, BLACK (.50 OD .218ID)
91	17788000083F	PVC CONDUIT 8.25"

Image 2:

12	0202L00151	EVAPORATOR COIL TUBING ASSY
22	0121L00345	BLOCKOFF-EVAPORATOR
32	0201L00145	CONDENSER COIL ASSY
42	0161L00005	DRAIN PAN
52	0121L00889	BLOCKOFF-CONDENSER
122	0121L01442	DECK-BLOWER
132	0121L00243	DECK SIDE CHANNEL
162	0130F00105	LIMIT SWITCH
302	0121L00300	SUPPORT POST-DECK
322	0163L00071	PLUG, DRAIN
332	0154L00009	DRAIN PAN GASKET
462	0121L00293	BACK ANGLE-HEAT EXCHANGER
472	0121L00266	HEAT PANEL CHANNEL
NS	0121L00939	CONDENSER BLOCKOFF PLATE
NS	0121L00238	DRAIN PAN SUPPORT
NS	0121L00321	SMOKE DETECTOR COVER

Expanded Model Nomenclature

M1 - APG1660140M41AA

Compressor/Basepan/Tubing Assy

IMAGE 1

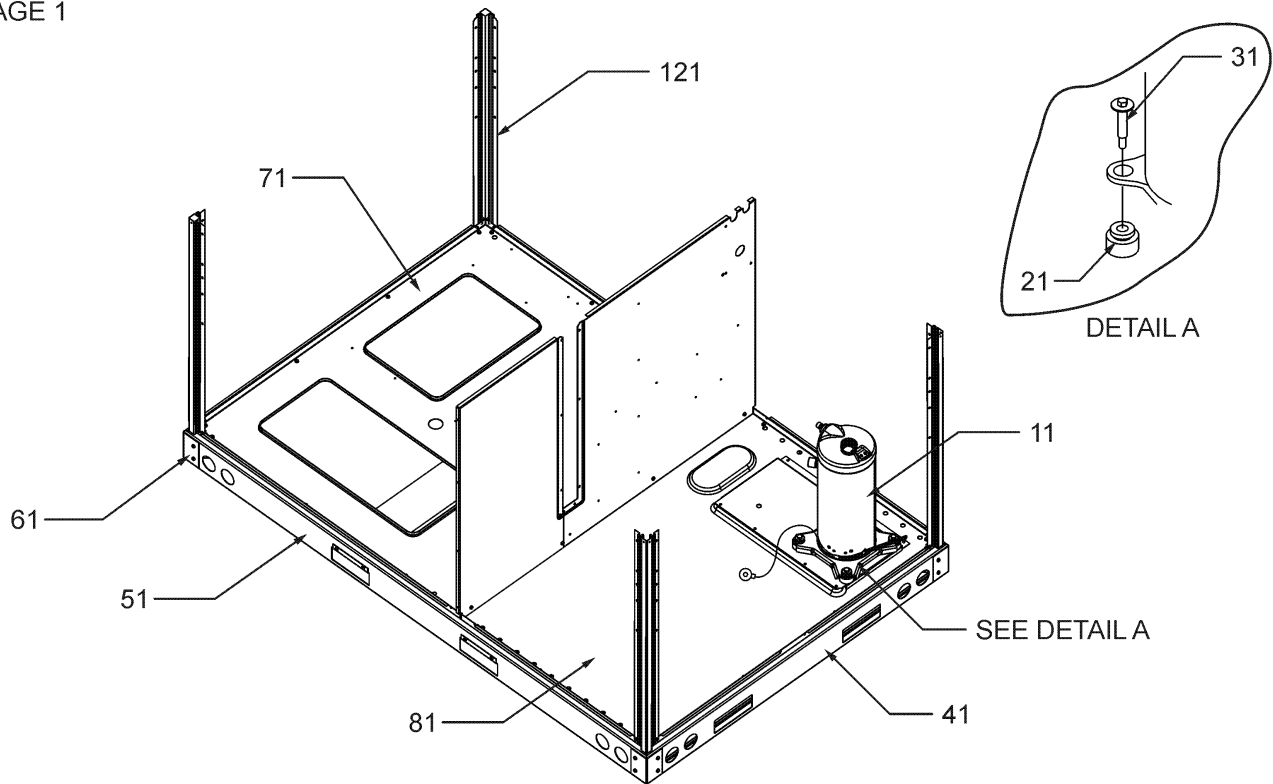
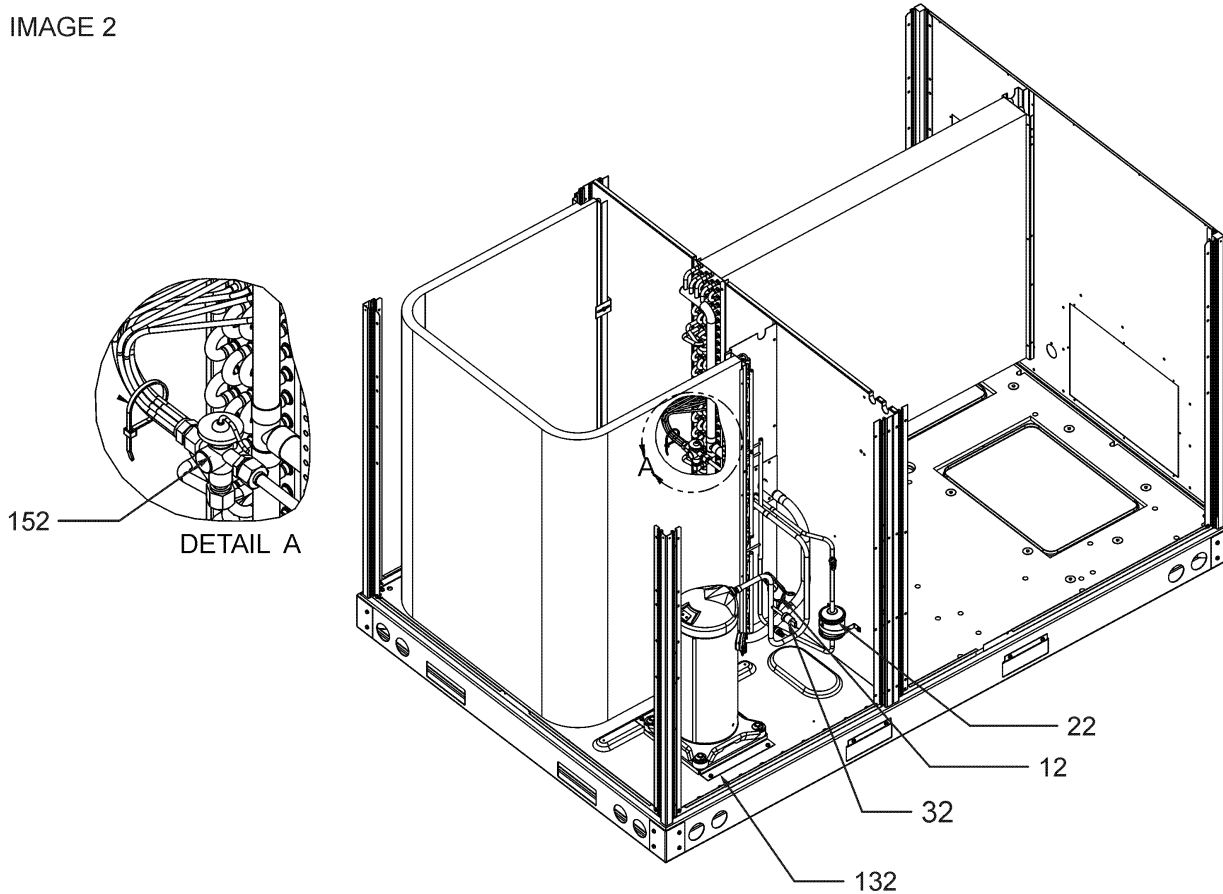


IMAGE 2



Compressor/Basepan/Tubing Assy

Ref. Part

No: No:

Description:

Ref. Part

No: No:

Description:

Image 1:

11	ZPS49K5EPFV130	COMPRESSOR 49100, 208/230/60/1
21	B1339533	COMPRESSOR GROMMET
31	M0221641	TF SHOULDER SCREW
41	0121L00245	END RAIL
51	0121L00244RF	SIDE RAIL
61	0121G00301	RAIL CORNER BRACKET
71	0121L01307	BASE PAN-OUTDOOR
81	0121L00943	BASE PAN-INDOOR
121	0121L01201RFDG	RF, PNT, POST-CORNER
NS	0141L00003X	BOARD-FORK
NS	0121L00055	BRACKET-FORK BOARD
NS	0159L00027	COMPRESSOR SCROLL HARNESS
NS	B1488806	COMPRESSOR SOUND BLANKET
NS	0164L00009	GASKET-RUBBER, CPOST

Image 2:

12	0130M00087	CUT-OUT SWITCH, LOW PRESSURE
22	20485201	BI-FLOW FILTER DRIER
32	0130M00074	CUT-OUT SWITCH, HIGH PRESSURE
132	0121L00310	COMPRESSOR MOUNTING PLATE
152	0151M00050	VALVE, NXT
NS	B1373315	ACCESS FITTING

Expanded Model Nomenclature

M1 - APG1660140M41AA

Blower/Control Box Assy

IMAGE 1

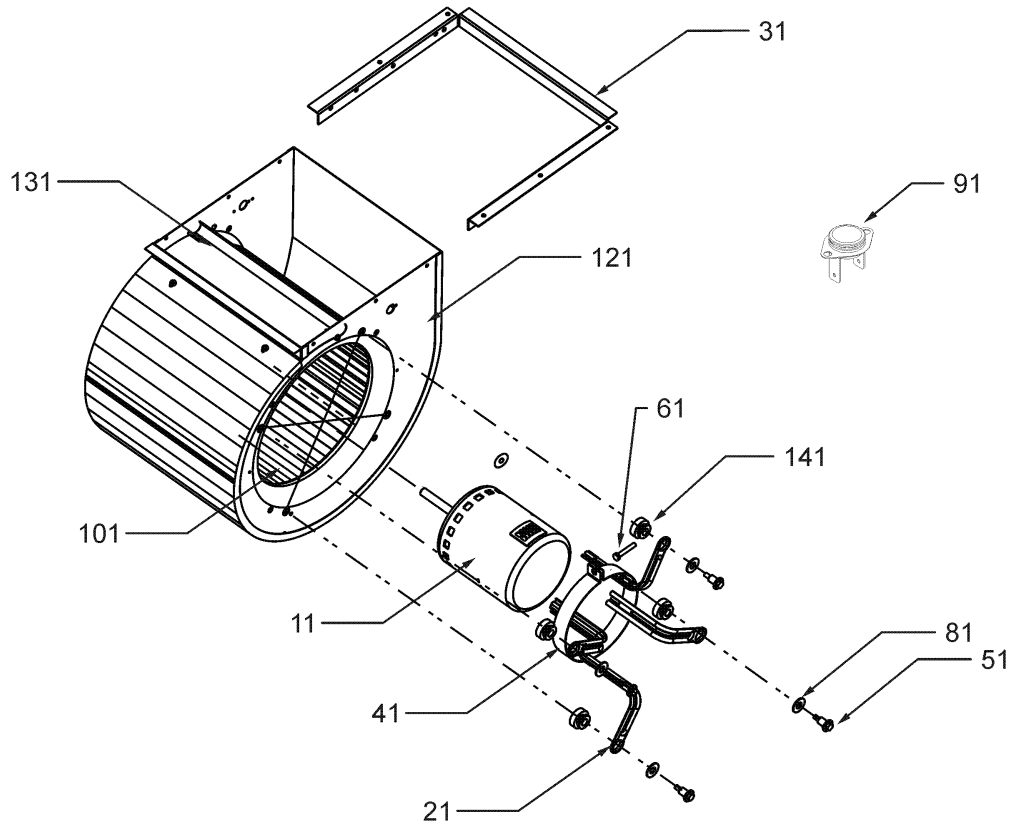
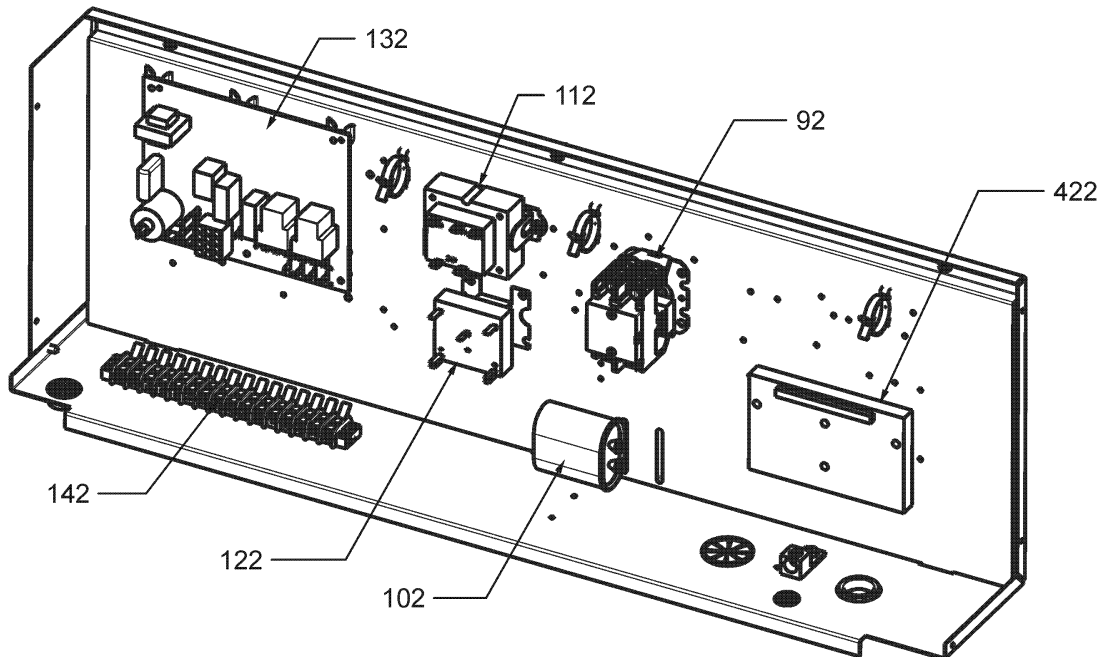


IMAGE 2



Blower/Control Box Assy

Ref. Part No: No:	Description:	Ref. Part No: No:	Description:
-------------------	--------------	-------------------	--------------

Image 1:

11	0131M00637	MOTOR-1 HP PROGRAMMED EON
21	10441501	MOTOR MOUNT ARM
31	0121L00281	BLOWER MOUNTING ANGLE
41	10441601	MOTOR MOUNT BAND
51	M0221461	TC SCREW
61	M0267144	MACHINE SCREW
81	M0274008	WASHER-FLAT
91	20269903	AUXILIARY LIMIT, AUTO RESET
101	B1368000	BLOWER WHEEL 11 X 10
121	11185811	HSG WELD-11X10 FUR
131	C6121807	CUTOFF CO PKG
141	A4002702	BLOWER MOTOR GROMMET
NS	M0282015	KEPS NUT

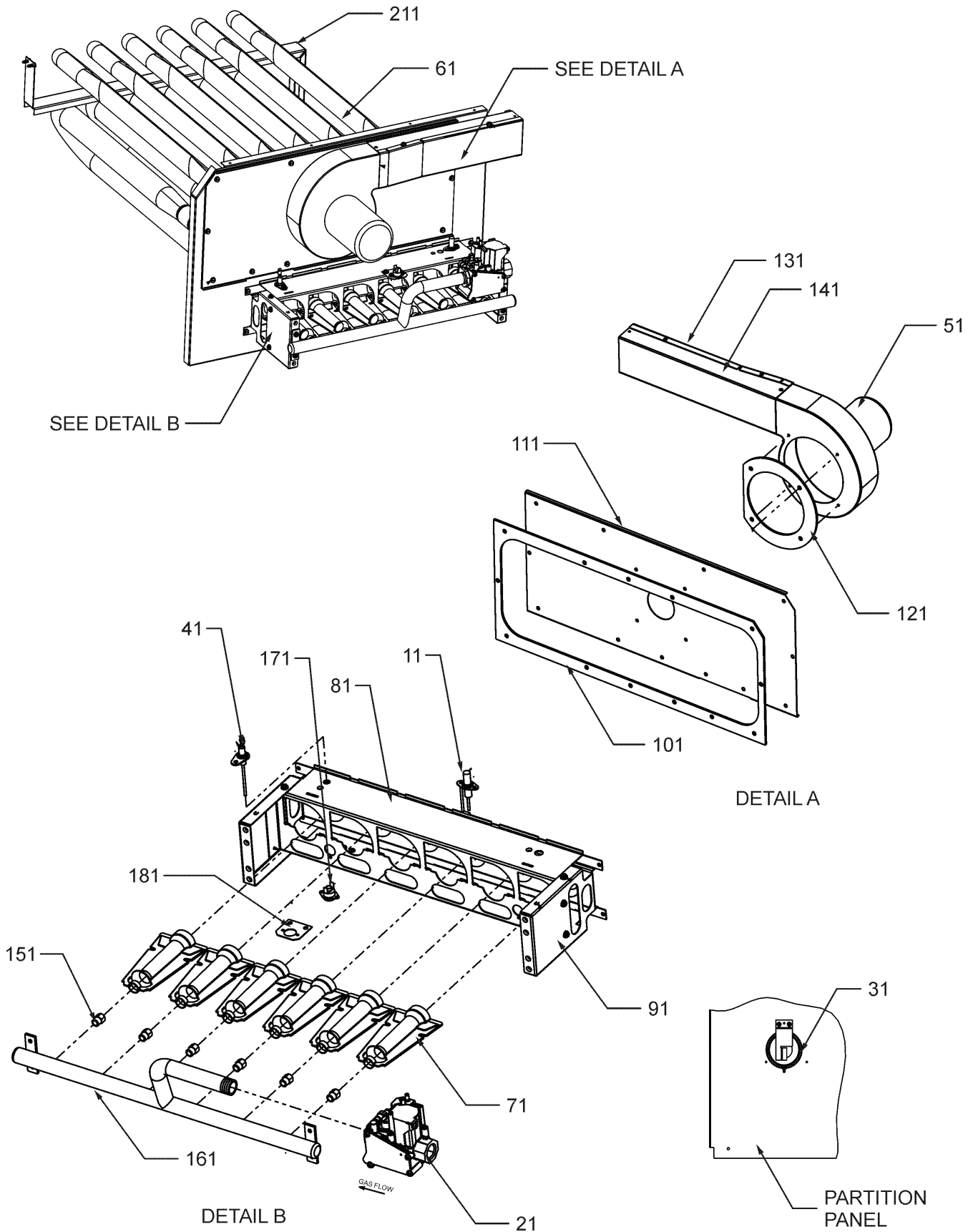
Image 2:

92	CONT2P040024V	CONTACTOR 40 AMP, 2P, 24V
102	CAP100400440CT	CAP, 10/40 MFD, 440V/ DUAL RD
112	0130M00138	TRANSFORMER 208/230, 24V
122	0130M00025	24V RELAY
132	PCBAG123	IGNITION BOARD, DSI INTEGRATED
142	0130M00038	TERMINAL BOARD
422	PCBEM102	PCB, ECM PRIMARY, VSTB
NS	0159G00001	COMPRESSOR SOLENOID CABLE
NS	0259L00412	HARNESS, ECONOMIZER
NS	0259L00125	HARNESS, WIRING
NS	0259L00413	HARNESS, WIRING
NS	B1378701	HIGH VOLTAGE WIRE HARNESS
NS	B1378700	LOW VOLTAGE WIRE HARNESS
NS	0259L00054	WIRING HARNESS
NS	0259L00069	WIRING HARNESS

Expanded Model Nomenclature

M1 - APG1660140M41AA

Heat Exchanger Assy



Heat Exchanger Assy

Ref. Part No: No:	Description:	Ref. Part No: No:	Description:
<i>Image 1:</i>			
11	20261709		IGNITOR
21	0151F00000P		GAS VALVE - WHITE-RODGERS 2-STAGE
31	11112501		PRESSURE SWITCH
41	0130F00010		FLAME SENSOR
51	0131L00002		VENT MOTOR
61	0270L00688		PART/TUBE ASSY
71	0163F00017		BECKETT BURNER
81	0121L01363		BRACKET, BURNER 6
91	0121F00465		ORIFICE BRACKET-BURNER 6
101	0154L00017		ID BLOWER PLATE GASKET 6 BRNR
111	0121L01456		PLATE-ID BLOWER 6
121	0154L00007		GASKET, BLOWER/ORIFICE PLATE
131	0121L01355		FLUE CHANNEL
141	0121L01356		FLUE SIDE COVER
151	0163F00018		ORIFICE
161	0163L00025		MANIFOLD-GAS, 6 BURNER
171	10123532		MANUAL RESET LIMIT 350°F
181	0121L00053		FLAME ROLLOUT BRACKET
211	0121L00325		BRACKET, HT EXCH
NS	0163L00072		SCREEN-FLUE

Expanded Model Nomenclature

M1 - APG1660140M41AA