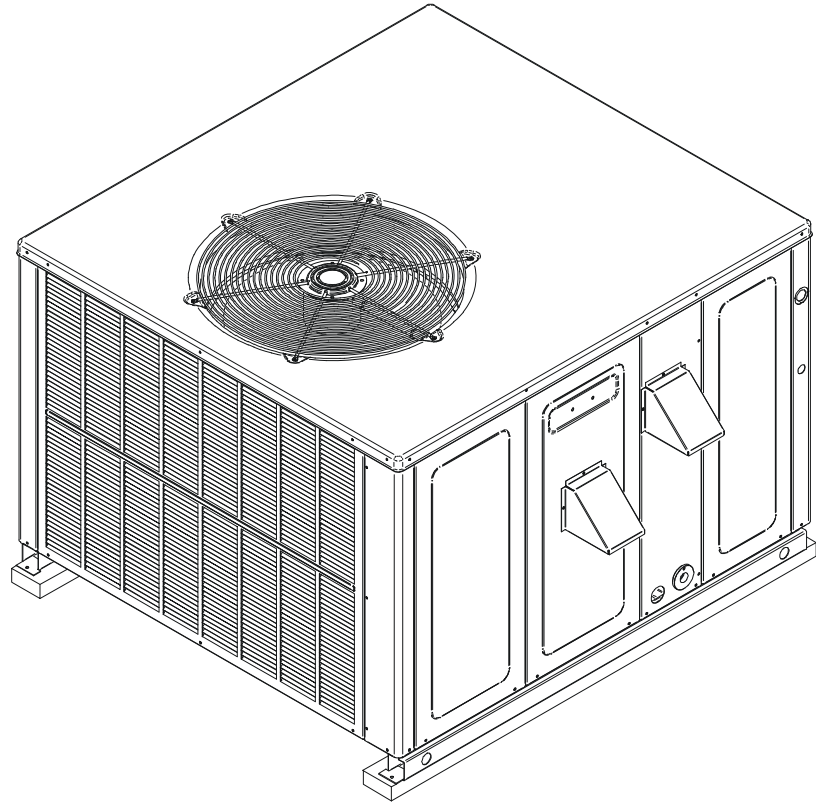


REPAIR PARTS

APG13 Package Gas Units

APG1324045M41AB
APG1324045M41AC
APG1324070M41AB
APG1324070M41AC
APG1330045M41AB
APG1330045M41AC
APG1330070M41AB
APG1330070M41AC
APG1336045M41AB
APG1336045M41AC
APG1336070M41AB
APG1336070M41AC
APG1336090M41AB
APG1336090M41AC
APG1342070M41AB
APG1342070M41AC
APG1342090M41AB
APG1342090M41AC
APG1348070M41AB
APG1348070M41AC
APG1348090M41AB
APG1348090M41AC
APG1348115M41AB
APG1348115M41AC
APG1360090M41AB
APG1360090M41AC
APG1360115M41AB
APG1360115M41AC
APG1360140M41AB
APG1360140M41AC



This manual is to be used by qualified technicians only.

This manual replaces RP-610.

© 2011,2012 Goodman Manufacturing Company, L.P. ♦ 5151 San Felipe, Suite 500 ♦ Houston, TX 77056

Important Information

Index

Functional Parts List	3
Illustration and Parts	4 - 15

Views shown are for parts illustrations only, not servicing procedures.

This system uses R410A refrigerant. If sealed system work is required, use approved equipment and follow service procedures. Refer to Service Manual or Installation Instructions for service procedures.

Text Codes:

AR - As Required

NA - Not Available

NS - Not Shown

00000000 - See Note

QTY - Quantity Example (QTY 3) (If Quantity not shown, Quantity = 1)

M - Model Example (M1) (If M Code not shown, then part is used on all Models)

Expanded Model Nomenclature:

Example M1 - Model#1 M2 - Model#2 M3 - Model#3

Goodman Manufacturing Company, L.P. is not responsible for personal injury or property damage resulting from improper service. Review all service information before beginning repairs.

Warranty service must be performed by an authorized technician, using authorized factory parts. If service is required after the warranty expires, Goodman Manufacturing Company, L.P. also recommends contacting an authorized technician and using authorized factory parts.

Goodman Manufacturing Company, L.P. reserves the right to discontinue, or change at any time, specifications or designs without notice or without incurring obligations.

For assistance within the U.S.A. contact:
Consumer Affairs Department
Goodman Manufacturing Company, L.P.
7401 Security Way
Houston, Texas 77040
877-254-4729-Telephone
713-863-2382-Facsimile

For assistance outside the U.S.A. contact:
International Division
Goodman Manufacturing Company, L.P.
7401 Security Way
Houston, Texas 77040
713-861-2500-Telephone
713-863-2382-Facsimile

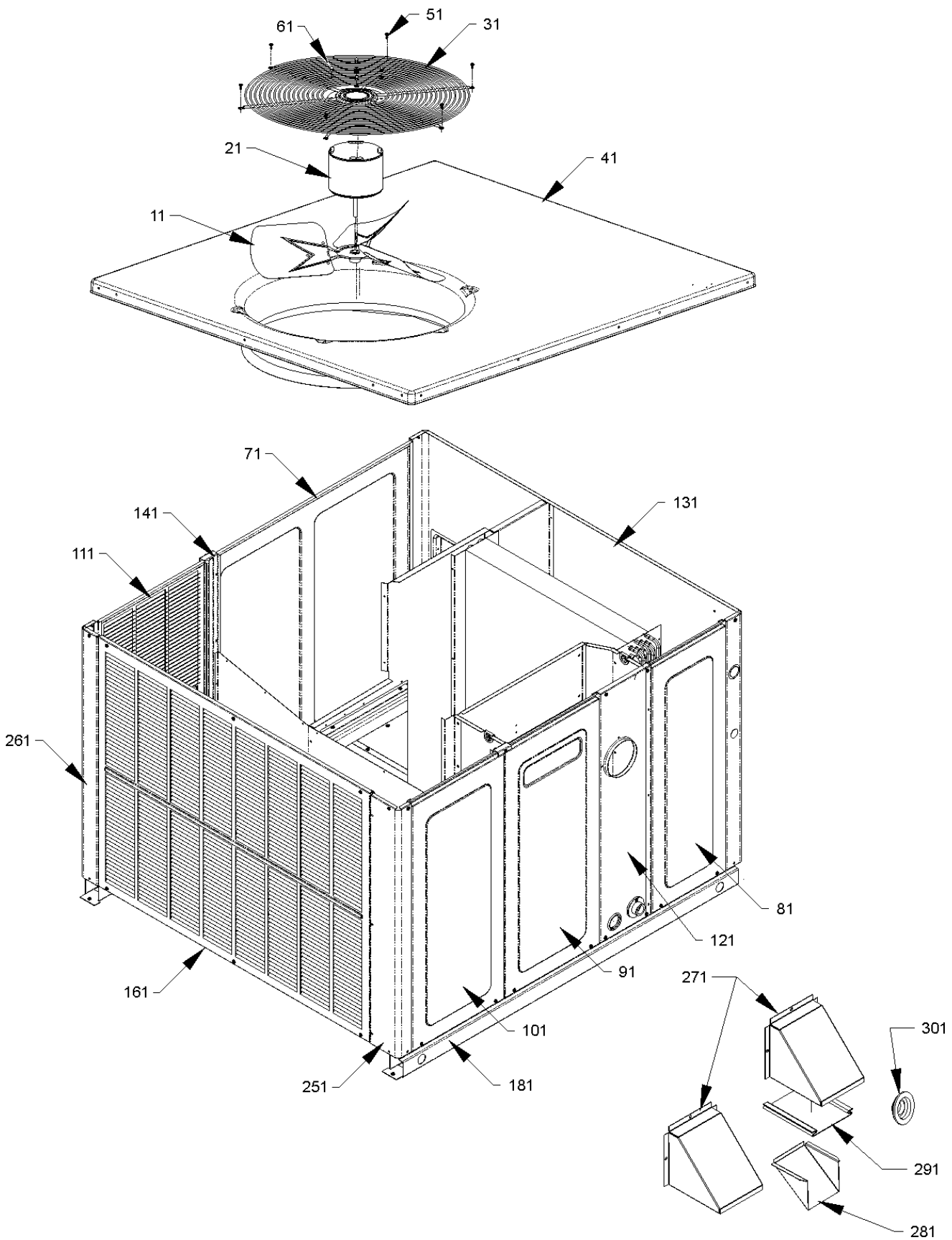
Functional Parts

Part

No: Description:

Part No:	Description:	Part No:	Description:
0130M00025	24V RELAY (M19, M20, M21, M22, M23, M24, M25, M26, M27, M28, M29, M30)	0131G00000P	ID BLOWER
20269903	AUXILIARY LIMIT, AUTO RESET	0130F00014	IGNITOR
11091202	BLOWER MOTOR 1/3 HP, 3 SP, 6 PL (M5, M6, M7, M8)	10728342	LIMIT SWITCH (M1, M2, M3, M4, M5, M6, M7, M8)
11091203S	BLOWER MOTOR 1/3 HP, 3 SP, 6 PL (M9, M10, M11, M12, M13, M14, M15, M16, M17, M18)	10728343	LIMIT SWITCH (M9, M10, M11, M12, M13, M14, M29, M30)
11091207	BLOWER MOTOR 1/4 HP, 3 SP, 8 PL (M1, M2, M3, M4)	10728344	LIMIT SWITCH (M15, M16, M17, M18, M19, M20, M21, M22, M23, M24, M25, M26, M27, M28)
CAP100000370VA	CAPACITOR 10/370V [BLOWER] (M1, M2, M3, M4, M5, M6, M7, M8, M9, M10, M11, M12, M13, M14, M15, M16, M17, M18)	10123532	MANUAL RESET LIMIT 350°F
CAP050350440RS	CAPACITOR 5/35/440V (M1, M2, M3, M4, M5, M6, M7, M8)	0131M00340	MOTOR - 1 HP PROGRAMMED SELEC (M19, M20, M21, M22, M23, M24)
CAP050450440RT	CAPACITOR 5/45/440V [CONTROL BOX] (M9, M10, M11, M12, M13, M14, M15, M16, M17, M18, M19, M20, M21, M22, M23, M24)	0131M00306	MOTOR - 1 HP PROGRAMMED SELEC (M25, M26, M27, M28, M29, M30)
CAP050700440RT	CAPACITOR 5/70 MFD/440V/DUAL RD (M25, M26, M27, M28, M29, M30)	11112501	SWITCH-PRESSURE
ZP34K5EPFV130	COMP, 34500, 208/230/60/1 (M15, M16, M17, M18)	B1141643	TRANSFORMER 208/230, 24V
ZP31K5EPFV130	COMPRESSOR 31100, 208/230/60/1 (M9, M10, M11, M12, M13, M14)		
ZP39K5EPFV130	COMPRESSOR 39000, 208/230/60/1 (M19, M20, M21, M22, M23, M24)		
ZP51K5EPFV130	COMPRESSOR 51000, 208/230/60/1 (M25, M26, M27, M28, M29, M30)		
760005-2001-10	COMPRESSOR, BRISTOL (M5, M6, M7, M8)		
760001-2001-10	COMPRESSOR, BRISTOL (M1, M2, M3, M4)		
0131M00007P	COND MOTOR 1/4 HP, 1 SP, 6 PL (M5, M6, M7, M8, M15, M16, M17, M18, M19, M20, M21, M22, M23, M24, M25, M26, M27, M28, M29, M30)		
0131M00061	COND MOTOR 1/4 HP, 1 SP, 8 PL (M1, M2, M3, M4, M9, M10, M11, M12, M13, M14)		
CONT1P025024V	CONTACTOR 25 AMP, 1P, 24V (M2, M4, M6, M8, M10, M12, M14)		
CONT2P025024V	CONTACTOR 25 AMP, 2P, 24V (M1, M3, M5, M7, M9, M11, M13)		
CONT1P030024V	CONTACTOR 30 AMP, 1P, 24V (M16, M18, M20, M22, M24, M26, M28, M30)		
CONT2P030024V	CONTACTOR 30 AMP, 2P, 24V (M15, M17, M19, M21, M23, M25, M27, M29)		
0130M00018	CUT-OUT SWITCH, HIGH PRESSURE		
0150M00016	FAN BLADE (M1, M2, M3, M4)		
B1086775	FAN BLADE (M5, M6, M7, M8)		
0150G00003	FAN BLADE SWEPT-WING (M15, M16, M17, M18, M19, M20, M21, M22, M23, M24, M25, M26, M27, M28, M29, M30)		
0150G00002	FAN BLADE-SWEPT WING (M9, M10, M11, M12, M13, M14)		
0130F00010	FLAME SENSOR		
0151M00013	GAS VALVE		

Top Panel/Fan/Cabinet



Top Panel/Fan/Cabinet

Ref. Part No: No:	Description:	Ref. Part No: No:	Description:
<i>Image 1:</i>		<i>Image 1:</i>	
11 0150M00016	FAN BLADE (M1, M2, M3, M4)	141 0121G00209	SUPPORT POST 40" (M15, M16, M17, M18, M19, M20, M21, M22, M23, M24, M25, M26, M27, M28, M29, M30)
11 B1086775	FAN BLADE (M5, M6, M7, M8)	161 20464401PLG	LOUVERED PANEL, COND SIDE 32" (M1, M2, M3, M4, M5, M6, M7, M8, M9, M10, M11, M12, M13, M14)
11 0150G00003	FAN BLADE SWEPT-WING (M15, M16, M17, M18, M19, M20, M21, M22, M23, M24, M25, M26, M27, M28, M29, M30)	161 20464402PLG	LOUVERED PANEL, COND SIDE 40" (M15, M16, M17, M18, M19, M20, M21, M22, M23, M24, M25, M26, M27, M28, M29, M30)
11 0150G00002	FAN BLADE-SWEPT WING (M9, M10, M11, M12, M13, M14)	181 0121G00290	BASE PAN RAIL (QTY 2)
21 0131M00007P	COND MOTOR 1/4 HP, 1 SP, 6 PL (M5, M6, M7, M8, M15, M16, M17, M18, M19, M20, M21, M22, M23, M24, M25, M26, M27, M28, M29, M30)	251 20464201PDG	CORNER POST-COMP END 32" (M1, M2, M4, M5, M6, M7, M8, M9, M10, M11, M12, M13, M14)
21 0131M00061	COND MOTOR 1/4 HP, 1 SP, 8 PL (M1, M2, M3, M4, M9, M10, M11, M12, M13, M14)	251 20464202PDG	CORNER POST-COMP END 40" (M15, M16, M17, M18, M19, M20, M21, M22, M23, M24, M25, M26, M27, M28, M29, M30)
31 0152G00002	FAN GRILLE	261 20464301PDG	CORNER POST-HAIRPIN END 32" (M1, M2, M3, M4, M5, M6, M7, M8, M9, M10, M11, M12, M13, M14)
41 0121G00156PDG	PNL, TOP, PNT (M2, M4, M6, M8, M10, M12, M14, M16, M18, M20, M22, M24, M26, M28, M30)	261 20464302PDG	CORNER POST-HAIRPIN END 40" (M15, M16, M17, M18, M19, M20, M21, M22, M23, M24, M25, M26, M27, M28, M29, M30)
41 20466001PDG	TOP PANEL (M1, M3, M5, M7, M9, M11, M13, M15, M17, M19, M21, M23, M25, M27, M29)	271 0121G00323	FLUE HOOD (QTY 2)
51 B1393500	SCREW,#10X1/2,"A"BLKCK (QTY 6)	281 0121G00190	FLUE HOOD-LOWER
61 0163M00006P	ACORN NUT 5/16 HEX BLACK (QTY 4)	291 20472601	SCREEN-FLUE HOOD
71 20464801PDG	BLOWER DOOR 32" (M1, M2, M3, M4, M5, M6, M7, M8, M9, M10, M11, M12, M13, M14)	301 B1910012	GAS LINE GROMMET
71 20464806PDG	BLOWER DOOR 40" (M15, M16, M17, M18, M19, M20, M21, M22, M23, M24, M25, M26, M27, M28, M29, M30)	NS 0270G00131	FLUE HOOD ASSY
81 20464802PDG	EVAP/CONTROL DOOR 32" (M1, M2, M3, M4, M5, M6, M7, M8, M9, M10, M11, M12, M13, M14)	NS 17788000083F	PVC CONDUIT 8.25"
81 20464807PDG	EVAP/CONTROL DOOR 40" (M15, M16, M17, M18, M19, M20, M21, M22, M23, M24, M25, M26, M27, M28, M29, M30)		
91 0121G00179DG	HEAT EXCHANGER DOOR 32" (M1, M2, M3, M4, M5, M6, M7, M8, M9, M10, M11, M12, M13)		
91 0121G00181DG	HEAT EXCHANGER DOOR 40" (M15, M16, M17, M18, M19, M20, M21, M22, M23, M24, M25, M26, M27, M28, M29, M30)		
101 20464804PDG	COMPRESSOR DOOR 32" (M1, M2, M3, M4, M5, M6, M7, M8, M9, M10, M11, M12, M13, M14)		
101 20464809PDG	COMPRESSOR DOOR 40" (M15, M16, M17, M18, M19, M20, M21, M22, M23, M24, M25, M26, M27, M28, M29, M30)		
111 20467701PLG	LOUVERED PANEL, COND SIDE 32" (M1, M2, M3, M4, M5, M6, M7, M8, M9, M10, M11, M12, M13, M14)		
111 20467702PLG	LOUVERED PANEL, COND SIDE 40" (M16, M18, M20, M22, M24, M26, M28, M30)		
121 20466101PDG	UTILITY PANEL 32" (M1, M2, M3, M4, M5, M6, M7, M8, M9, M10, M11, M12, M13, M14)		
121 20466102PDG	UTILITY PANEL 40" (M15, M16, M17, M18, M19, M20, M21, M22, M23, M24, M25, M26, M27, M28, M29, M30)		
131 0121G00442DG	PNL, DUCT, GAS 32.5" (M1, M2, M3, M4, M5, M6, M7, M8, M9, M10, M11, M12, M13, M14)		
131 0121G00443DG	PNL, DUCT, GAS 40" (M15, M16, M17, M18, M19, M20, M21, M22, M23, M24, M25, M26, M27, M28, M29, M30)		
141 0121G00208	SUPPORT POST 32" (M1, M2, M3, M4, M5, M6, M7, M8, M9, M10, M11, M12, M13, M14)		

Top Panel/Fan/Cabinet

Ref. Part

No: No:

Description:

Ref. Part

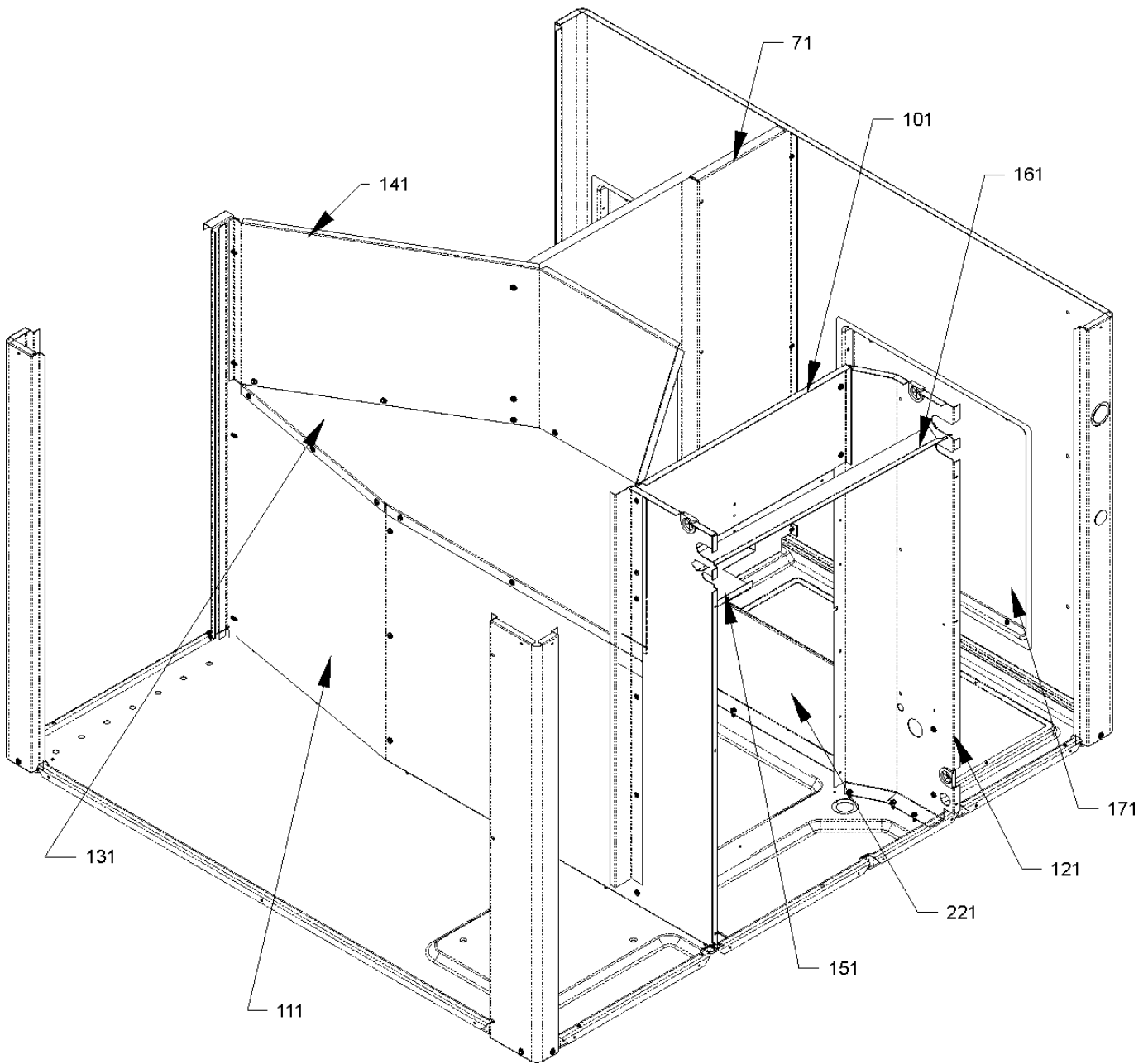
No: No:

Description:

Expanded Model Nomenclature

M1 - APG1324045M41AB
M2 - APG1324045M41AC
M3 - APG1324070M41AB
M4 - APG1324070M41AC
M5 - APG1330045M41AB
M6 - APG1330045M41AC
M7 - APG1330070M41AB
M8 - APG1330070M41AC
M9 - APG1336045M41AB
M10 - APG1336045M41AC
M11 - APG1336070M41AB
M12 - APG1336070M41AC
M13 - APG1336090M41AB
M14 - APG1336090M41AC
M15 - APG1342070M41AB
M16 - APG1342070M41AC
M17 - APG1342090M41AB
M18 - APG1342090M41AC
M19 - APG1348070M41AB
M20 - APG1348070M41AC
M21 - APG1348090M41AB
M22 - APG1348090M41AC
M23 - APG1348115M41AB
M24 - APG1348115M41AC
M25 - APG1360090M41AB
M26 - APG1360090M41AC
M27 - APG1360115M41AB
M28 - APG1360115M41AC
M29 - APG1360140M41AB
M30 - APG1360140M41AC

Partition Panels



Partition Panels

Ref. Part No:	No:	Description:	Ref. Part No:	No:	Description:
<i>Image 1:</i>			Expanded Model Nomenclature		
71	20465305	BLOWER DIVIDER (M1, M2, M3, M4, M5, M6, M7, M8)	M1 -	APG1324045M41AB	
71	20465306	BLOWER DIVIDER (M15, M16, M17, M18)	M2 -	APG1324045M41AC	
71	20465304	BLOWER DIVIDER 32" 10 X 9 (M9, M10, M11, M12, M13, M14)	M3 -	APG1324070M41AB	
71	0121G00177	BLOWER DIVIDER 38" (M19, M20, M21, M22, M23, M24, M25, M26, M27, M28, M29, M30)	M4 -	APG1324070M41AC	
101	20465201	FILLER PANEL, HEAT EXCHANGER 32" (M1, M2, M4, M5, M6, M7, M8, M9, M11, M13)	M5 -	APG1330045M41AB	
111	0121G00360	PNL, PTN, 32.5" (M1, M2, M3, M4, M5, M6, M7, M8, M9, M10, M11, M12, M13, M14)	M6 -	APG1330045M41AC	
111	0121G00361	PNL, PTN, 40" (M15, M16, M17, M18, M19, M20, M21, M22, M23, M24, M25, M26, M27, M28, M29, M30)	M7 -	APG1330070M41AB	
121	20465501	EVAP/HEAT EXCHANGER DIVIDER 32" (M1, M2, M3, M4, M5, M6, M7, M8, M9, M10, M11, M12, M13, M14)	M8 -	APG1330070M41AC	
121	20465502	EVAP/HEAT EXCHANGER DIVIDER 38" (M15, M16, M17, M18, M19, M20, M21, M22, M23, M24, M25, M26, M27, M28, M29, M30)	M9 -	APG1336045M41AB	
131	20465701	FAN PARTITION SHELF	M10 -	APG1336045M41AC	
141	20465801	FAN SURROUND 32" (M1, M2, M3, M4, M5, M6, M7, M8, M9, M10, M11, M12, M13, M14)	M11 -	APG1336070M41AB	
141	20465802	FAN SURROUND 40" (M15, M16, M17, M18, M19, M20, M21, M22, M23, M24, M25, M26, M27, M28, M29, M30)	M12 -	APG1336070M41AC	
151	20472501	SHIELD, HEAT EXCHANGER TUBES	M13 -	APG1336090M41AB	
161	20496801	DRAIN CHANNEL, SUCTION TUBE	M14 -	APG1336090M41AC	
221	20463802	EVAP/BASEPAN BLOCK 32" (M1, M2, M3, M4, M5, M6, M7, M8, M9, M10, M11, M12, M13, M14)	M15 -	APG1342070M41AB	
221	20463801	EVAP/BASEPAN BLOCK 40" (M15, M16, M17, M18, M19, M20, M21, M22, M23, M24, M25, M26, M27, M28, M29, M30)	M16 -	APG1342070M41AC	
			M17 -	APG1342090M41AB	
			M18 -	APG1342090M41AC	
			M19 -	APG1348070M41AB	
			M20 -	APG1348070M41AC	
			M21 -	APG1348090M41AB	
			M22 -	APG1348090M41AC	
			M23 -	APG1348115M41AB	
			M24 -	APG1348115M41AC	
			M25 -	APG1360090M41AB	
			M26 -	APG1360090M41AC	
			M27 -	APG1360115M41AB	
			M28 -	APG1360115M41AC	
			M29 -	APG1360140M41AB	
			M30 -	APG1360140M41AC	

Basepan/Blower Assembly

Image 1

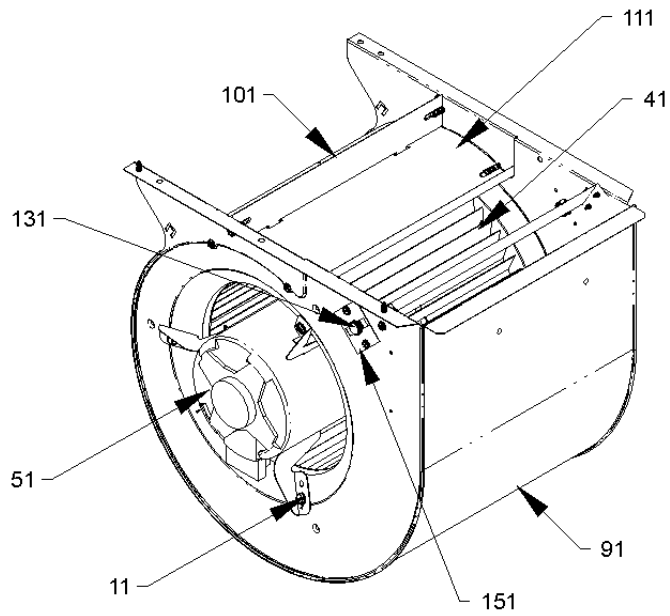
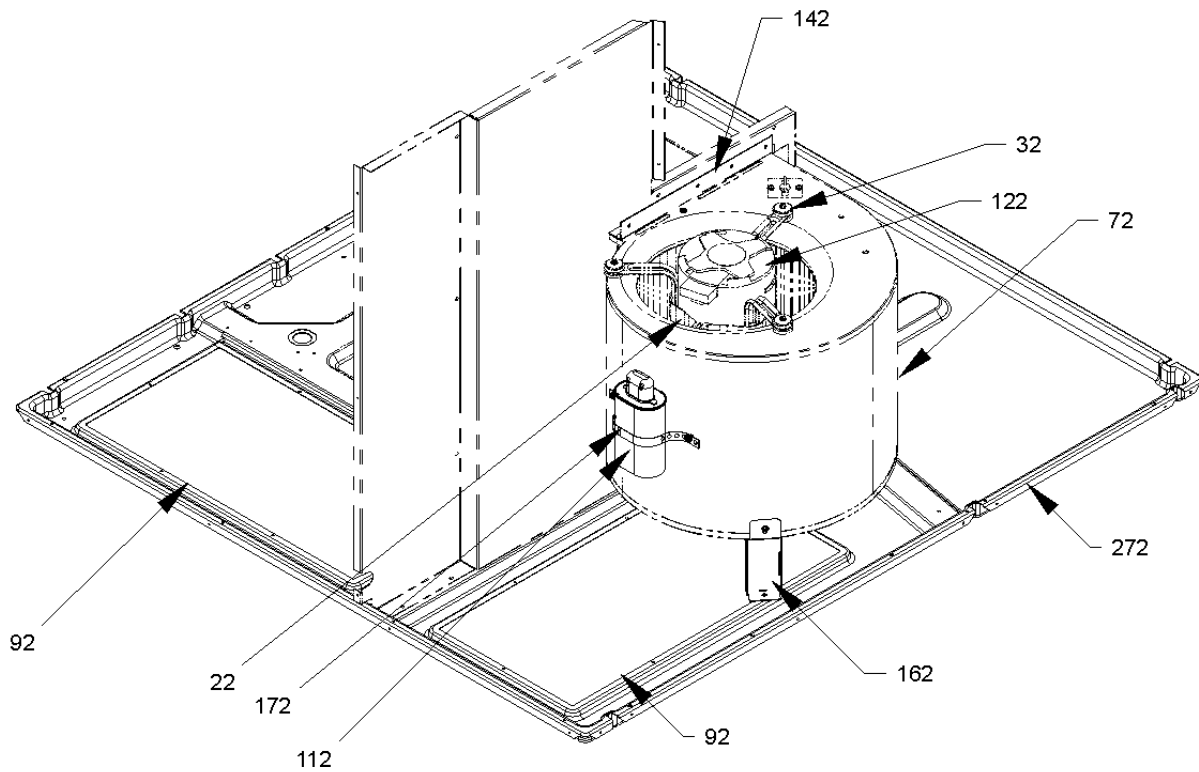


Image 2



Basepan/Blower Assembly

Ref. Part No: No:	Description:	Ref. Part No: No:	Description:																														
<i>Image 1:</i>		<i>Image 2:</i>																															
11	M0250558 TC SCREW (M1, M2, M3, M4, M5, M6, M7, M8, M9, M10, M11, M12, M13, M14, M15, M16, M17, M18)	142	20463701 11 X 10 BLOWER MOUNTING (M19, M20, M21, M22, M23, M24, M25, M26, M27, M28, M29, M30)																														
11	M0250565 TC SCREW 1.25" (M19, M20, M21, M22, M23, M24, M25, M26, M27, M28, M29, M30)	162	4322801 11 X 10 BLOWER SUPPORT LRG (M19, M20, M21, M22, M23, M24, M25, M26, M27, M28, M29, M30)																														
41	D6723303 BLOWER WHEEL (M9, M10, M11, M12, M13, M14)	172	20520901 CAPACITOR STRAP (M19, M20, M21, M22, M23, M24, M25, M26, M27, M28, M29, M30)																														
41	D6723306 BLOWER WHEEL (M15, M16, M17, M18)	272	0121G00289 BASE PAN (M1, M3, M5, M7, M9, M11, M13, M15, M17, M19, M21, M23, M25, M27, M29)																														
41	B1368016 BLOWER WHEEL 10 X 8 (M5, M6, M7, M8)	272	0121G00444 BASEPAN, PACKAGE (M2, M4, M6, M8, M10, M12, M14, M16, M18, M20, M22, M24, M26, M28, M30)																														
41	B1368058 BLOWER WHEEL 10 X 8 (M1, M2, M3, M4)	NS	B821700 CAPACITOR BOOT (M1, M2, M3, M4, M5, M6, M7, M8, M9, M10, M11, M12, M13, M14, M15, M16, M17, M18)																														
41	B1368000S BLOWER WHEEL 11 X 10 (M19, M20, M21, M22, M23, M24, M25, M26, M27, M28, M29, M30)	NS	B1393800 LOCKNUT, NYLON, INSERT 1/4, 20 (M19, M20, M21, M22, M23, M24, M25, M26, M27, M28, M29, M30)																														
51	11091202 BLOWER MOTOR 1/3 HP, 3 SP, 6 PL (M5, M6, M7, M8)	Expanded Model Nomenclature																															
51	11091203S BLOWER MOTOR 1/3 HP, 3 SP, 6 PL (M9, M10, M11, M12, M13, M14, M15, M16, M17, M18)	<table border="1"> <tr><td>M1 - APG1324045M41AB</td></tr> <tr><td>M2 - APG1324045M41AC</td></tr> <tr><td>M3 - APG1324070M41AB</td></tr> <tr><td>M4 - APG1324070M41AC</td></tr> <tr><td>M5 - APG1330045M41AB</td></tr> <tr><td>M6 - APG1330045M41AC</td></tr> <tr><td>M7 - APG1330070M41AB</td></tr> <tr><td>M8 - APG1330070M41AC</td></tr> <tr><td>M9 - APG1336045M41AB</td></tr> <tr><td>M10 - APG1336045M41AC</td></tr> <tr><td>M11 - APG1336070M41AB</td></tr> <tr><td>M12 - APG1336070M41AC</td></tr> <tr><td>M13 - APG1336090M41AB</td></tr> <tr><td>M14 - APG1336090M41AC</td></tr> <tr><td>M15 - APG1342070M41AB</td></tr> <tr><td>M16 - APG1342070M41AC</td></tr> <tr><td>M17 - APG1342090M41AB</td></tr> <tr><td>M18 - APG1342090M41AC</td></tr> <tr><td>M19 - APG1348070M41AB</td></tr> <tr><td>M20 - APG1348070M41AC</td></tr> <tr><td>M21 - APG1348090M41AB</td></tr> <tr><td>M22 - APG1348090M41AC</td></tr> <tr><td>M23 - APG1348115M41AB</td></tr> <tr><td>M24 - APG1348115M41AC</td></tr> <tr><td>M25 - APG1360090M41AB</td></tr> <tr><td>M26 - APG1360090M41AC</td></tr> <tr><td>M27 - APG1360115M41AB</td></tr> <tr><td>M28 - APG1360115M41AC</td></tr> <tr><td>M29 - APG1360140M41AB</td></tr> <tr><td>M30 - APG1360140M41AC</td></tr> </table>		M1 - APG1324045M41AB	M2 - APG1324045M41AC	M3 - APG1324070M41AB	M4 - APG1324070M41AC	M5 - APG1330045M41AB	M6 - APG1330045M41AC	M7 - APG1330070M41AB	M8 - APG1330070M41AC	M9 - APG1336045M41AB	M10 - APG1336045M41AC	M11 - APG1336070M41AB	M12 - APG1336070M41AC	M13 - APG1336090M41AB	M14 - APG1336090M41AC	M15 - APG1342070M41AB	M16 - APG1342070M41AC	M17 - APG1342090M41AB	M18 - APG1342090M41AC	M19 - APG1348070M41AB	M20 - APG1348070M41AC	M21 - APG1348090M41AB	M22 - APG1348090M41AC	M23 - APG1348115M41AB	M24 - APG1348115M41AC	M25 - APG1360090M41AB	M26 - APG1360090M41AC	M27 - APG1360115M41AB	M28 - APG1360115M41AC	M29 - APG1360140M41AB	M30 - APG1360140M41AC
M1 - APG1324045M41AB																																	
M2 - APG1324045M41AC																																	
M3 - APG1324070M41AB																																	
M4 - APG1324070M41AC																																	
M5 - APG1330045M41AB																																	
M6 - APG1330045M41AC																																	
M7 - APG1330070M41AB																																	
M8 - APG1330070M41AC																																	
M9 - APG1336045M41AB																																	
M10 - APG1336045M41AC																																	
M11 - APG1336070M41AB																																	
M12 - APG1336070M41AC																																	
M13 - APG1336090M41AB																																	
M14 - APG1336090M41AC																																	
M15 - APG1342070M41AB																																	
M16 - APG1342070M41AC																																	
M17 - APG1342090M41AB																																	
M18 - APG1342090M41AC																																	
M19 - APG1348070M41AB																																	
M20 - APG1348070M41AC																																	
M21 - APG1348090M41AB																																	
M22 - APG1348090M41AC																																	
M23 - APG1348115M41AB																																	
M24 - APG1348115M41AC																																	
M25 - APG1360090M41AB																																	
M26 - APG1360090M41AC																																	
M27 - APG1360115M41AB																																	
M28 - APG1360115M41AC																																	
M29 - APG1360140M41AB																																	
M30 - APG1360140M41AC																																	
51	11091207 BLOWER MOTOR 1/4 HP, 3 SP, 8 PL (M1, M2, M3, M4)																																
91	0271F00057 BLOWER HOUSING ASSY 10 X 10 (M15, M16, M17, M18)																																
91	0271F00001P BLOWER HOUSING ASSY 10 X 8 (M1, M2, M3, M4)																																
91	0271G00025 BLOWER HOUSING ASSY 10 X 8 (M5, M6, M7, M8)																																
91	0271G00024 BLOWER HOUSING ASSY 10 X 9 (M9, M10, M11, M12, M13, M14)																																
101	764742 BLOWER BLOCK-OFF (M9, M10, M11, M12, M13, M14)																																
101	764741F BLOWER BLOCK-OFF 10 X 10 (M15, M16, M17, M18)																																
101	764740F BLOWER BLOCK-OFF 10 X 8 (M1, M2, M3, M4, M5, M6, M7, M8)																																
101	1864703F BLOWER CUT-OFF (M19, M20, M21, M22, M23, M24, M25, M26, M27, M28, M29, M30)																																
131	20269903 AUXILIARY LIMIT, AUTO RESET																																
151	2509503F AUXILIARY LIMIT BRACKET																																
171	20520901 CAPACITOR STRAP (M1, M2, M3, M4, M5, M6, M7, M8, M9, M10, M11, M12, M13, M14, M15, M16, M17, M18)																																
NS	B1392143 GROMMET, 26TAL F/TORSIN FLEX (M1, M2, M3, M4, M5, M6, M7, M8, M9, M10, M11, M12, M13, M14, M15, M16, M17, M18)																																
<i>Image 2:</i>																																	
22	0121M00038 MOTOR MOUNT BAND (M19, M20, M21, M22, M23, M24, M25, M26, M27, M28, M29, M30)																																
32	B1376857 MOTOR MOUNT ARM (M19, M20, M21, M22, M23, M24, M25, M26, M27, M28, M29, M30)																																
72	2539309 BLOWER HOUSING ASSY (11X10) (M19, M20, M21, M22, M23, M24, M25, M26, M27, M28, M29, M30)																																
92	0121G00148 SINGLE COVER, DOWN DISCHARGE (QTY 2)																																
112	CAP100000370VA CAPACITOR 10/370V [BLOWER] (M1, M2, M3, M4, M5, M6, M7, M8, M9, M10, M11, M12, M13, M14, M15, M16, M17, M18)																																
122	0131M00306 MOTOR - 1 HP PROGRAMMED SELEC (M25, M26, M27, M28, M29, M30)																																
122	0131M00340 MOTOR - 1 HP PROGRAMMED SELEC (M19, M20, M21, M22, M23, M24)																																

Compressor/Tubing Assembly

Image 1

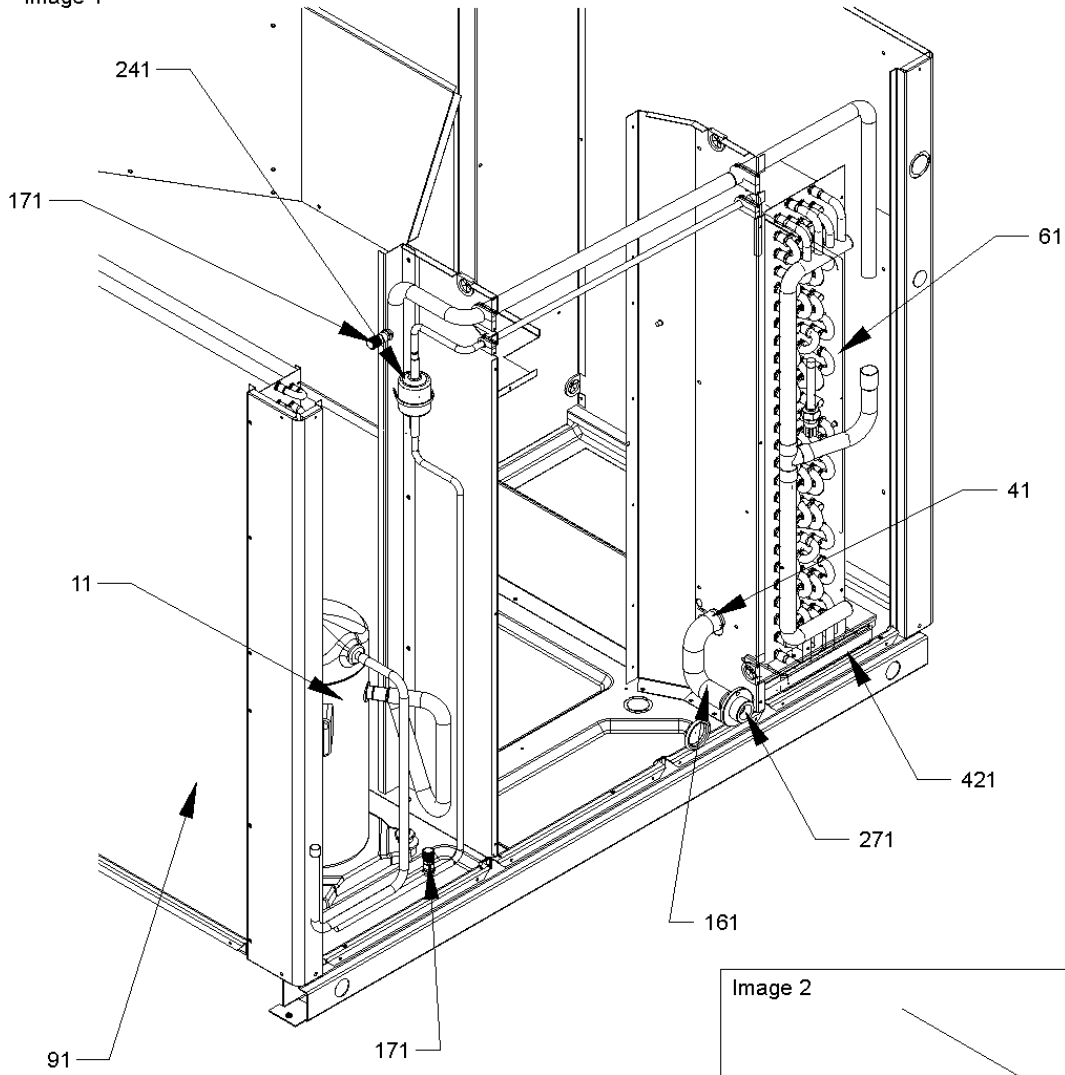
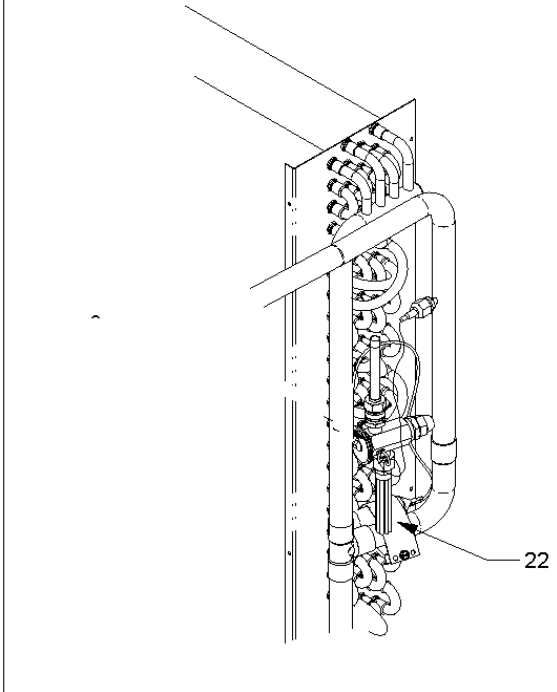


Image 2



Compressor/Tubing Assembly

**Ref. Part
No: No:**

Description:

Image 1:

11	ZP34K5EPFV130	COMP,34500,208/230/60/1 (M15, M16, M17, M18)
11	ZP31K5EPFV130	COMPRESSOR 31100, 208/230/60/1 (M9, M10, M11, M12, M13, M14)
11	ZP39K5EPFV130	COMPRESSOR 39000, 208/230/60/1 (M19, M20, M21, M22, M23, M24)
11	ZP51K5EPFV130	COMPRESSOR 51000, 208/230/60/1 (M25, M26, M27, M28, M29, M30)
11	760001-2001-10	COMPRESSOR, BRISTOL (M1, M2, M3, M4)
11	760005-2001-10	COMPRESSOR, BRISTOL (M5, M6, M7, M8)
41	B1810011	HOSE CLAMP 1.25 (QTY 2)
61	0202G00282	EVAP COIL TUBING ASSY (M19, M20, M21, M22, M23, M24)
61	0202G00283	EVAP COIL TUBING ASSY (M1, M2, M3, M4)
61	0202G00288	EVAP COIL TUBING ASSY (M5, M6, M7, M8)
61	0202G00290	EVAP COIL TUBING ASSY (M9, M10, M11, M12, M13, M14)
61	0202G00291	EVAP COIL TUBING ASSY (M15, M17)
61	0202G00292	EVAP COIL TUBING ASSY (M25, M26, M27, M28, M29, M30)
61	0202G00316	TUBING ASSY, EVAP COIL (M16, M18)
91	0201G00139	COND COIL TUBING ASSY (M15, M16, M17, M18)
91	0201G00142	COND COIL TUBING ASSY (M1, M2, M3, M4, M5, M6, M7, M8, M9, M10, M11, M12, M13, M14)
91	0201G00143	COND COIL TUBING ASSY (M25, M26, M27, M28, M29, M30)
91	0201G00144	COND COIL TUBING ASSY (M19, M20, M21, M22, M23, M24)
161	20498302	DRAIN TUBE 32" (M1, M2, M3, M4, M5, M6, M7, M8, M9, M10, M11, M12, M13, M14)
161	20498301	DRAIN TUBE 40" (M15, M16, M17, M18, M19, M20, M21, M22, M23, M24, M25, M26, M27, M28, M29, M30)
171	B9102097	CAP W/O-RING (QTY 2)
241	B1219212	SINGLE-FLOW FILTER DRIER, STEEL (M1, M2, M3, M4, M5, M6, M7, M8, M9, M10, M11, M12, M13, M14)
241	B1219225	SINGLE-FLOW FILTER DRIER, STEEL (M15, M16, M17, M18, M19, M20, M21, M22, M23, M24, M25, M26, M27, M28, M29, M30)
271	20513001	EVAP DRAIN FITTING
421	20464901DF	DRAIN PAN-EVAP COIL
NS	B1373315	ACCESS FITTING (QTY 2)
NS	B1339530	COMPRESSOR GROMMET (M1, M2, M3, M4, M5, M6, M7, M8)
NS	B1339533	COMPRESSOR GROMMET (M9, M10, M11, M12, M13, M14, M15, M16, M17, M18, M19, M20, M21, M22, M23, M24, M25, M26, M27, M28, M29, M30)
NS	0159G00002	COMPRESSOR SCROLL HARNESS (M9, M10, M11, M12, M13, M14)
NS	0159G00006	COMPRESSOR SCROLL HARNESS (M15, M16, M17, M18, M19, M20, M21, M22, M23, M24, M25, M26, M27, M28, M29, M30)
NS	0130M00018	CUT-OUT SWITCH, HIGH PRESSURE
NS	0121G00324	EVAP DRIP SHIELD

**Ref. Part
No: No:**

Description:

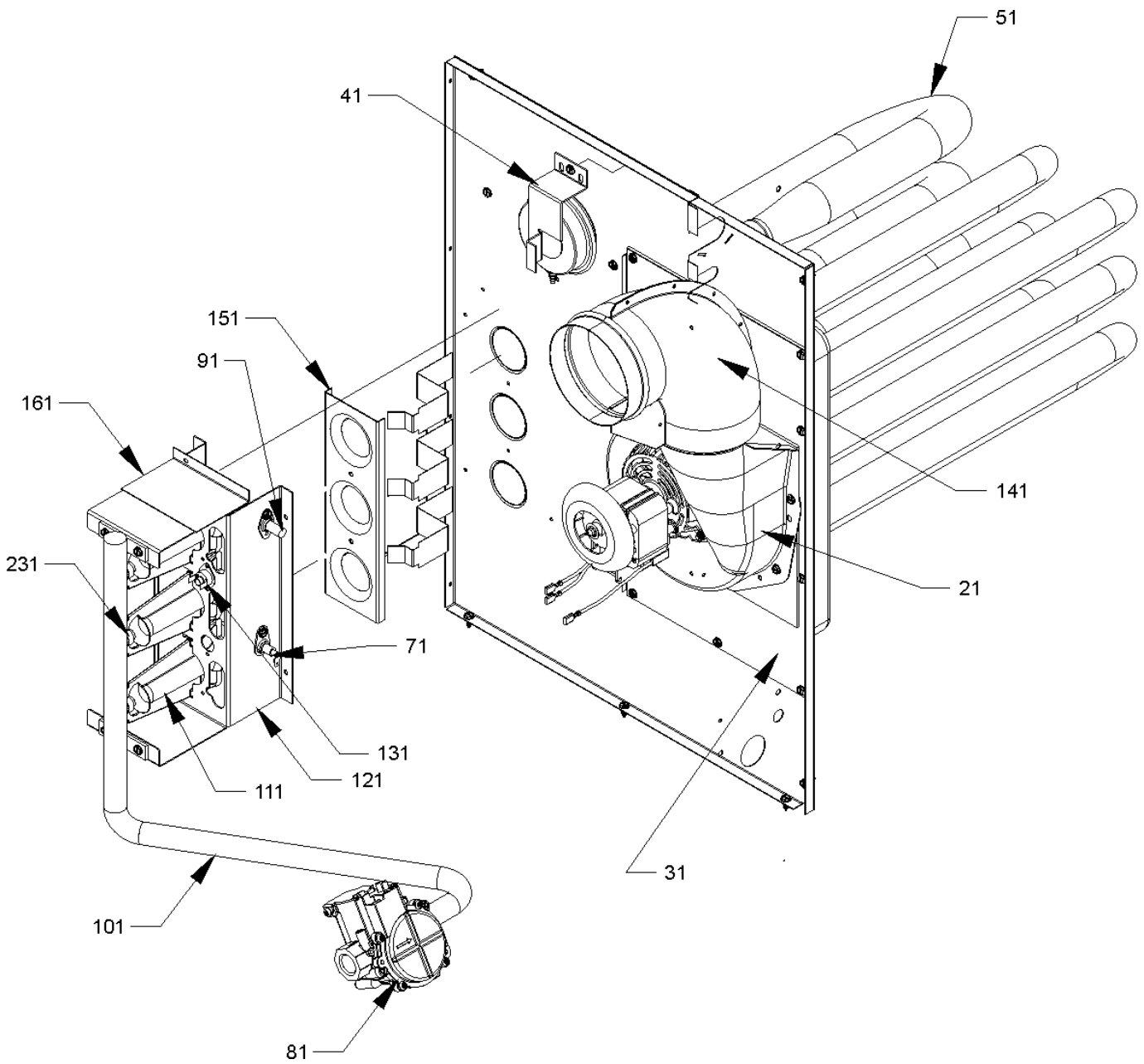
Image 1:

NS	M0221641	TF SHOULDER SCREW (QTY 4)
<i>Image 2:</i>		
22	0162M00116	FLOWRATOR .053 (M1, M2, M3, M4)
22	B1314862	FLOWRATOR .062 (M5, M6, M7, M8)
22	0162M00117	FLOWRATOR .070 (M9, M10, M11, M12, M13, M14)
22	0162M00118	FLOWRATOR .072 (M15, M16, M17, M18)
22	B1314876	FLOWRATOR .076 (M19, M20, M21, M22, M23, M24)
22	0162M00119	FLOWRATOR .087 (M25, M26, M27, M28, M29, M30)

Expanded Model Nomenclature

M1 - APG1324045M41AB
M2 - APG1324045M41AC
M3 - APG1324070M41AB
M4 - APG1324070M41AC
M5 - APG1330045M41AB
M6 - APG1330045M41AC
M7 - APG1330070M41AB
M8 - APG1330070M41AC
M9 - APG1336045M41AB
M10 - APG1336045M41AC
M11 - APG1336070M41AB
M12 - APG1336070M41AC
M13 - APG1336090M41AB
M14 - APG1336090M41AC
M15 - APG1342070M41AB
M16 - APG1342070M41AC
M17 - APG1342090M41AB
M18 - APG1342090M41AC
M19 - APG1348070M41AB
M20 - APG1348070M41AC
M21 - APG1348090M41AB
M22 - APG1348090M41AC
M23 - APG1348115M41AB
M24 - APG1348115M41AC
M25 - APG1360090M41AB
M26 - APG1360090M41AC
M27 - APG1360115M41AB
M28 - APG1360115M41AC
M29 - APG1360140M41AB
M30 - APG1360140M41AC

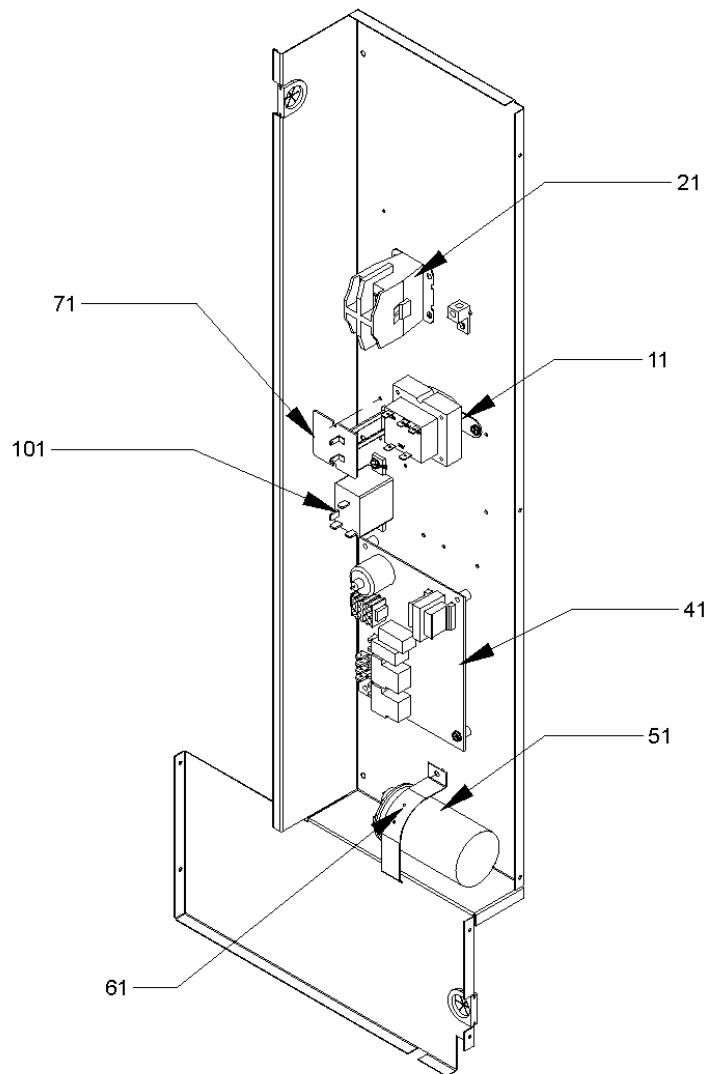
Heat Exchanger/Manifold/Gas Valve



Heat Exchanger/Manifold/Gas Valve

Ref. Part No:	No:	Description:	Ref. Part No:	No:	Description:																														
<i>Image 1:</i>			<i>Image 1:</i>																																
21	0131G00000P	ID BLOWER	151	11072203	ORIFICE SHIELD (M13, M14, M17, M18, M21, M22, M25, M26)																														
31	20463204	ID BLOWER PLATE LRG 3 BRNR (M15, M16, M19, M20)	151	11072204	ORIFICE SHIELD (M23, M24, M27, M28)																														
31	20463201	ID BLOWER PLATE LRG 4 BRNR (M17, M18, M21, M22, M25, M26)	151	11072205	ORIFICE SHIELD (M29, M30)																														
31	20463202	ID BLOWER PLATE LRG 5 BRNR (M23, M24, M27, M28)	161	11190202	HEAT DEFLECTOR																														
31	20463203	ID BLOWER PLATE LRG 6 BRNR (M29, M30)	231	10716003	ORIFICE (QTY A/R)																														
31	20463101	ID BLOWER PLATE SML 2 BRNR (M1, M2, M5, M6, M9, M10)	NS	20463001	ID BLOWER PLATE GASKET LRG (M15, M16, M17, M18, M19, M20, M21, M22, M23, M24, M25, M26, M27, M28, M29, M30)																														
31	20463102	ID BLOWER PLATE SML 3 BRNR (M3, M4, M7, M8, M11, M12)	NS	20462801	ID BLOWER PLATE GASKET SML (M1, M2, M3, M4, M5, M6, M7, M8, M9, M10, M11, M12, M13, M14)																														
31	20463103	ID BLOWER PLATE SML 4 BRNR (M13, M14)	Expanded Model Nomenclature																																
41	11112501	SWITCH-PRESSURE	<table border="1"> <tr><td>M1 - APG1324045M41AB</td></tr> <tr><td>M2 - APG1324045M41AC</td></tr> <tr><td>M3 - APG1324070M41AB</td></tr> <tr><td>M4 - APG1324070M41AC</td></tr> <tr><td>M5 - APG1330045M41AB</td></tr> <tr><td>M6 - APG1330045M41AC</td></tr> <tr><td>M7 - APG1330070M41AB</td></tr> <tr><td>M8 - APG1330070M41AC</td></tr> <tr><td>M9 - APG1336045M41AB</td></tr> <tr><td>M10 - APG1336045M41AC</td></tr> <tr><td>M11 - APG1336070M41AB</td></tr> <tr><td>M12 - APG1336070M41AC</td></tr> <tr><td>M13 - APG1336090M41AB</td></tr> <tr><td>M14 - APG1336090M41AC</td></tr> <tr><td>M15 - APG1342070M41AB</td></tr> <tr><td>M16 - APG1342070M41AC</td></tr> <tr><td>M17 - APG1342090M41AB</td></tr> <tr><td>M18 - APG1342090M41AC</td></tr> <tr><td>M19 - APG1348070M41AB</td></tr> <tr><td>M20 - APG1348070M41AC</td></tr> <tr><td>M21 - APG1348090M41AB</td></tr> <tr><td>M22 - APG1348090M41AC</td></tr> <tr><td>M23 - APG1348115M41AB</td></tr> <tr><td>M24 - APG1348115M41AC</td></tr> <tr><td>M25 - APG1360090M41AB</td></tr> <tr><td>M26 - APG1360090M41AC</td></tr> <tr><td>M27 - APG1360115M41AB</td></tr> <tr><td>M28 - APG1360115M41AC</td></tr> <tr><td>M29 - APG1360140M41AB</td></tr> <tr><td>M30 - APG1360140M41AC</td></tr> </table>			M1 - APG1324045M41AB	M2 - APG1324045M41AC	M3 - APG1324070M41AB	M4 - APG1324070M41AC	M5 - APG1330045M41AB	M6 - APG1330045M41AC	M7 - APG1330070M41AB	M8 - APG1330070M41AC	M9 - APG1336045M41AB	M10 - APG1336045M41AC	M11 - APG1336070M41AB	M12 - APG1336070M41AC	M13 - APG1336090M41AB	M14 - APG1336090M41AC	M15 - APG1342070M41AB	M16 - APG1342070M41AC	M17 - APG1342090M41AB	M18 - APG1342090M41AC	M19 - APG1348070M41AB	M20 - APG1348070M41AC	M21 - APG1348090M41AB	M22 - APG1348090M41AC	M23 - APG1348115M41AB	M24 - APG1348115M41AC	M25 - APG1360090M41AB	M26 - APG1360090M41AC	M27 - APG1360115M41AB	M28 - APG1360115M41AC	M29 - APG1360140M41AB	M30 - APG1360140M41AC
M1 - APG1324045M41AB																																			
M2 - APG1324045M41AC																																			
M3 - APG1324070M41AB																																			
M4 - APG1324070M41AC																																			
M5 - APG1330045M41AB																																			
M6 - APG1330045M41AC																																			
M7 - APG1330070M41AB																																			
M8 - APG1330070M41AC																																			
M9 - APG1336045M41AB																																			
M10 - APG1336045M41AC																																			
M11 - APG1336070M41AB																																			
M12 - APG1336070M41AC																																			
M13 - APG1336090M41AB																																			
M14 - APG1336090M41AC																																			
M15 - APG1342070M41AB																																			
M16 - APG1342070M41AC																																			
M17 - APG1342090M41AB																																			
M18 - APG1342090M41AC																																			
M19 - APG1348070M41AB																																			
M20 - APG1348070M41AC																																			
M21 - APG1348090M41AB																																			
M22 - APG1348090M41AC																																			
M23 - APG1348115M41AB																																			
M24 - APG1348115M41AC																																			
M25 - APG1360090M41AB																																			
M26 - APG1360090M41AC																																			
M27 - APG1360115M41AB																																			
M28 - APG1360115M41AC																																			
M29 - APG1360140M41AB																																			
M30 - APG1360140M41AC																																			
51	0257G00017	HEAT EXCHANGER ASSY (M1, M2, M5, M6, M9, M10)																																	
51	0257G00018	HEAT EXCHANGER ASSY (M3, M4, M7, M8, M11, M12)																																	
51	0257G00019	HEAT EXCHANGER ASSY (M13, M14)																																	
51	0257G00020	HEAT EXCHANGER ASSY (M15, M16, M19, M20)																																	
51	0257G00021	HEAT EXCHANGER ASSY (M17, M18, M21, M22, M25, M26)																																	
51	0257G00022	HEAT EXCHANGER ASSY (M23, M24, M27, M28)																																	
51	0257G00023	HEAT EXCHANGER ASSY (M29, M30)																																	
71	0130F00014	IGNITOR																																	
81	0151M00013	GAS VALVE																																	
91	0130F00010	FLAME SENSOR																																	
101	0121M00035P	MANIFOLD - 2 BRNR (M1, M2, M5, M6, M9, M10)																																	
101	0121M00036P	MANIFOLD - 3 BRNR (M15, M16, M19, M20)																																	
101	20493103	MANIFOLD - 3 BRNR (M3, M4, M7, M8, M11, M12)																																	
101	20493104	MANIFOLD - 4 BRNR (M13, M14)																																	
101	20493105	MANIFOLD - 4 BRNR (M17, M18, M21, M22, M25, M26)																																	
101	20493106	MANIFOLD - 5 BRNR (M23, M24, M27, M28)																																	
101	20493107	MANIFOLD - 6 BRNR (M29, M30)																																	
111	10735102	BECKETT BURNER (QTY A/R)																																	
121	20190410	BURNER BRACKET 2B (M1, M2, M5, M6, M9, M10)																																	
121	20190411	BURNER BRACKET 3B (M3, M4, M7, M8, M11, M12, M15, M16, M19, M20)																																	
121	20190412	BURNER BRACKET 4B (M13, M14, M17, M18, M21, M22, M25, M26)																																	
121	20190413	BURNER BRACKET 5B (M23, M24, M27, M28)																																	
121	0121F00145	BURNER BRACKET 6B (M29, M30)																																	
131	10123532	MANUAL RESET LIMIT 350°F																																	
141	20484401W	FLUE ELBOW LEFT																																	
141	20484402W	FLUE ELBOW RIGHT																																	
151	11072201	ORIFICE SHIELD (M1, M2, M4, M5, M9, M10)																																	
151	11072202	ORIFICE SHIELD (M6, M7, M11, M12, M15, M16, M19, M20)																																	

Control Panel



Control Panel

**Ref. Part
No: No:**

Description:

**Ref. Part
No: No:**

Description:

Image 1:

11	B1141643	TRANSFORMER 208/230, 24V
21	CONT1P025024V	CONTACTOR 25 AMP, 1P, 24V (M2, M4, M6, M8, M10, M12, M14)
21	CONT2P025024V	CONTACTOR 25 AMP, 2P, 24V (M1, M3, M5, M7, M9, M11, M13)
21	CONT1P030024V	CONTACTOR 30 AMP, 1P, 24V (M16, M18, M20, M22, M24, M26, M28, M30)
21	CONT2P030024V	CONTACTOR 30 AMP, 2P, 24V (M15, M17, M19, M21, M23, M25, M27, M29)
41	PCBAG123	IGNITION BOARD, DSI INTEGRATED
51	CAP050350440RS	CAPACITOR 5/35/440V (M1, M2, M3, M4, M5, M6, M7, M8)
51	CAP050450440RT	CAPACITOR 5/45/440V [CONTROL BOX] (M9, M10, M11, M12, M13, M14, M15, M16, M17, M18, M19, M20, M21, M22, M23, M24)
51	CAP050700440RT	CAPACITOR 5/70 MFD/440V/DUAL RD (M25, M26, M27, M28, M29, M30)
61	20520901	STRAP-CAPACITOR
71	10728342	LIMIT SWITCH (M1, M2, M3, M4, M5, M6, M7, M8)
71	10728343	LIMIT SWITCH (M9, M10, M11, M12, M13, M14, M29, M30)
71	10728344	LIMIT SWITCH (M15, M16, M17, M18, M19, M20, M21, M22, M23, M24, M25, M26, M27, M28)
101	0130M00025	24V RELAY (M19, M20, M21, M22, M23, M24, M25, M26, M27, M28, M29, M30)
NS	0259G00091	ASSY, FEMALE PLUG
NS	0259G00009	BLOWER HARNESS (M1, M2, M3, M4, M5, M6, M7, M8, M9, M10, M11, M12, M13, M14, M15, M16, M17, M18)
NS	0259G00023	HARNESS, BLOWER (M19, M20, M21, M22, M23, M24, M25, M26, M27, M28, M29, M30)
NS	0259G00080	HARNESS-CONTROL (M1, M2, M3, M4)
NS	0259G00081	HARNESS-CONTROL (M15, M16, M17, M18)
NS	0259G00083	HARNESS-CONTROL (M19, M20, M21, M22, M23, M24)
NS	0259G00084	HARNESS-CONTROL (M25, M26, M27, M28, M29, M30)
NS	0259G00085	HARNESS-CONTROL (M5, M6, M7, M8)
NS	0259G00086	HARNESS-CONTROL (M9, M10, M11, M12, M13, M14)
NS	0259G00090	PLUG ASSY, 12 PIN MALE (M15, M16, M17, M18, M19, M20, M21, M22, M23, M24, M25, M26, M27, M28, M29, M30)
NS	0259G00093	PLUG ASSY, 12 PIN MALE (M1, M2, M3, M4, M5, M6, M7, M8, M9, M10, M11, M12, M13, M14)

Expanded Model Nomenclature

M1 - APG1324045M41AB
M2 - APG1324045M41AC
M3 - APG1324070M41AB
M4 - APG1324070M41AC
M5 - APG1330045M41AB
M6 - APG1330045M41AC
M7 - APG1330070M41AB
M8 - APG1330070M41AC
M9 - APG1336045M41AB
M10 - APG1336045M41AC
M11 - APG1336070M41AB
M12 - APG1336070M41AC
M13 - APG1336090M41AB
M14 - APG1336090M41AC
M15 - APG1342070M41AB
M16 - APG1342070M41AC
M17 - APG1342090M41AB
M18 - APG1342090M41AC
M19 - APG1348070M41AB
M20 - APG1348070M41AC
M21 - APG1348090M41AB
M22 - APG1348090M41AC
M23 - APG1348115M41AB
M24 - APG1348115M41AC
M25 - APG1360090M41AB
M26 - APG1360090M41AC
M27 - APG1360115M41AB
M28 - APG1360115M41AC
M29 - APG1360140M41AB
M30 - APG1360140M41AC