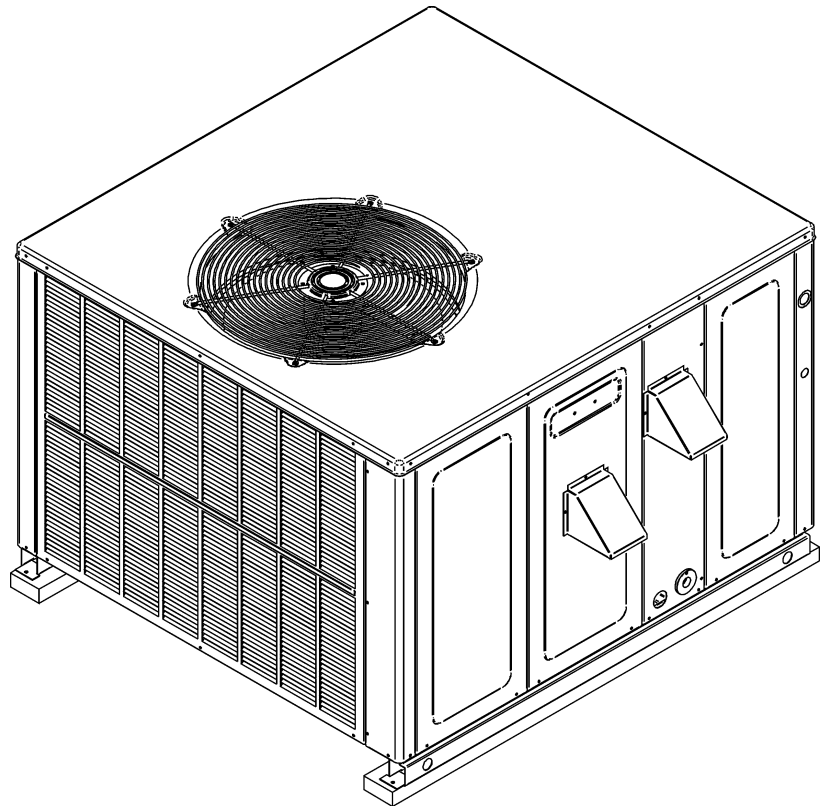


REPAIR PARTS

A/GPG13 Package Gas Units

APG1324045M41BA
APG1324070M41BA
APG1330045M41BA
APG1330070M41BA
APG1336045M41BA
APG1336070M41BA
APG1336090M41BA
APG1342070M41BA
APG1342090M41BA
APG1348070M41BA
APG1348090M41BA
APG1348115M41BA
APG1360090M41BA
APG1360115M41BA
APG1360140M41BA
GPG1324045M41BA
GPG1324070M41BA
GPG1330045M41BA
GPG1330070M41BA
GPG1336045M41BA
GPG1336070M41BA
GPG1336090M41BA
GPG1342070M41BA
GPG1342090M41BA
GPG1348070M41BA
GPG1348090M41BA
GPG1348115M41BA
GPG1360090M41BA
GPG1360115M41BA
GPG1360140M41BA



Amana® is a registered trademark of Maytag Corporation or its related companies and is used under license. All rights reserved.

This manual is to be used by qualified technicians only.

This manual replaces RP-703A.

© 2013-2016 Goodman Company, L.P. ♦ 5151 San Felipe St., Suite 500 ♦ Houston, TX 77056

Important Information

Index

Functional Parts List	3
Illustration and Parts	4 - 17

Views shown are for parts illustrations only, not servicing procedures

Text Codes:

AR - As Required

NA - Not Available

NS - Not Shown

00000000 - See Note

QTY - Quantity Example (QTY 3) (If Quantity not shown, Quantity = 1)

M - Model Example (M1) (If M Code not shown, then part is used on all Models)

Expanded Model Nomenclature:

Example M1 - Model#1 M2 - Model#2 M3 - Model#3

Goodman Company, L.P. is not responsible for personal injury or property damage resulting from improper service. Review all service information before beginning repairs.

Warranty service must be performed by an authorized technician, using authorized factory parts. If service is required after the warranty expires, Goodman Company, L.P. also recommends contacting an authorized technician and using authorized factory parts.

Goodman Manufacturing Company, L.P. reserves the right to discontinue, or change at any time, specifications or designs without notice or without incurring obligations.

For assistance within the U.S.A. contact:

Consumer Affairs Department

Goodman Company, L.P.

7401 Security Way

Houston, Texas 77040

877-254-4729-Telephone

713-863-2382-Facsimile

For assistance outside the U.S.A. contact:

International Division

Goodman Company, L.P.

7401 Security Way

Houston, Texas 77040

713-861-2500-Telephone

713-863-2382-Facsimile

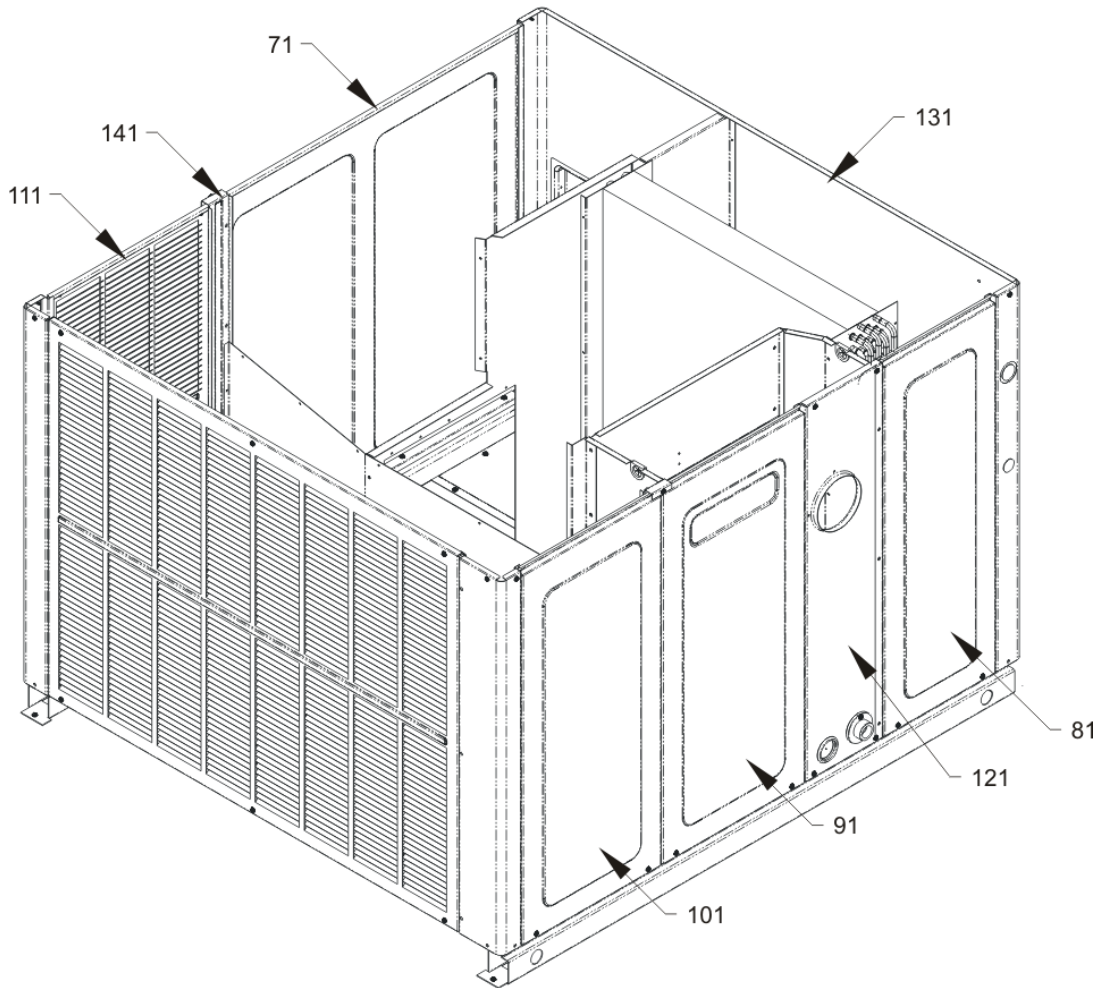
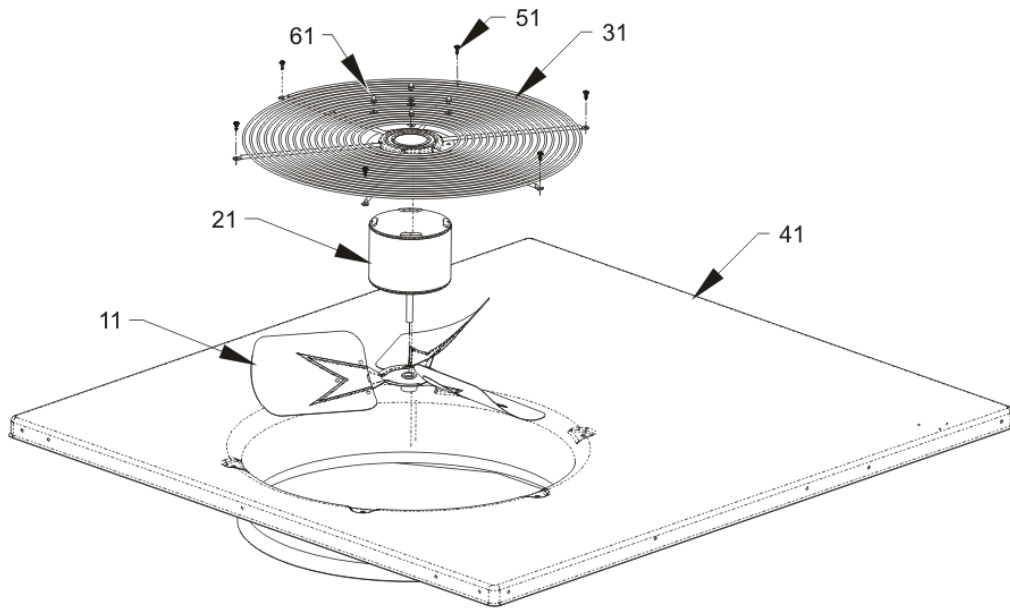
Functional Parts

Part

No: Description:

0130M00025	24V RELAY (M10, M11, M12, M13, M14, M15, M25, M26, M27, M28, M29, M30)	10728342	LIMIT SWITCH (M1, M2, M3, M4, M16, M17, M18, M19)
11091202	BLOWER MOTOR 1/3 HP, 3 SP, 6 PL (M3, M4, M18, M19)	10728343	LIMIT SWITCH (M5, M6, M7, M15, M20, M21, M22, M30)
11091203	BLOWER MOTOR 1/3 HP, 3 SP, 6 PL (M5, M6, M7, M8, M9, M20, M21, M22, M23, M24)	10123532	MANUAL RESET LIMIT 350°F
11091207	BLOWER MOTOR 1/4 HP, 3 SP, 8 PL (M1, M2, M16, M17)	0131M00522	MOTOR - 1 HP PROGRAMMED SELEC (M13, M14, M15, M28, M29, M30)
D6723303	BLOWER WHEEL (M5, M6, M7, M20, M21, M22)	0131M00527	MOTOR - 1 HP PROGRAMMED SELEC (M10, M11, M12, M25, M26, M27)
D6723306	BLOWER WHEEL (M8, M9, M23, M24)	0131G00007	MOTOR, ID BLOWER
B1368058	BLOWER WHEEL 10 X 8 (M1, M2, M16, M17)	10716003	ORIFICE (QTY 2)
B1368016	BLOWER WHEEL 10 X 8 (M3, M4, M18, M19)	11112501	PRESSURE SWITCH
B1368000	BLOWER WHEEL 11 X 10 (M10, M11, M12, M13, M14, M15, M25, M26, M27, M28, M29, M30)	0130M00138	TRANSFORMER 208/230, 24V
CAP100000370LA	CAPACITOR 10/370V (M1, M2, M3, M4, M5, M6, M7, M8, M9, M16, M17, M18, M19, M20, M21, M22, M23, M24)	0151M00013S	VALVE, GAS (HW) SINGLE STAGE
CAP050350440CS	CAPACITOR 5/35/440V (M1, M2, M16, M17)	DY6.186.070	VENT MOTOR CAPACITOR
CAP050400440CT	CAPACITOR 5/40/440V/DUAL RD (M3, M4, M18, M19)	Expanded Model Nomenclature	
CAP050450440CT	CAPACITOR 5/45/440V/DUAL RD (M5, M6, M7, M8, M9, M10, M11, M12, M20, M21, M22, M23, M24, M25, M26, M27)	M1 - APG1324045M41BA	
CAP050700440CT	CAPACITOR 5/70/440V/DUAL RD (M13, M14, M15, M28, M29, M30)	M2 - APG1324070M41BA	
ZP20K5EPFV130	COMPRESSOR 20000, 208/230/60/1 (M1, M2, M16, M17)	M3 - APG1330045M41BA	
ZP25K5EPFV130	COMPRESSOR 25200, 208/230/60/1 (M3, M4, M18, M19)	M4 - APG1330070M41BA	
ZP31K5EPFV130	COMPRESSOR 31100, 208/230/60/1 (M5, M6, M7, M20, M21, M22)	M5 - APG1336045M41BA	
ZP34K5EPFV130	COMPRESSOR 34500, 208/230/60/1 (M8, M9, M23, M24)	M6 - APG1336070M41BA	
ZP39K5EPFV130	COMPRESSOR 39000, 208/230/60/1 (M10, M11, M12, M25, M26, M27)	M7 - APG1336090M41BA	
ZP51K5EPFV130	COMPRESSOR 51000, 208/230/60/1 (M13, M14, M15, M28, M29, M30)	M8 - APG1342070M41BA	
0131M00061	COND MOTOR 1/4 HP, 1 SP, 8 PL (M5, M6, M7, M20, M21, M22)	M9 - APG1342090M41BA	
0131M00429	COND MOTOR 1/4 HP, 1 SP, 6 PL (M3, M4, M8, M9, M10, M11, M12, M13, M14, M15, M18, M19, M23, M24, M25, M26, M27, M28, M29, M30)	M10 - APG1348070M41BA	
0131M00009P	COND MOTOR 1/6 HP, 1 SP, 8 PL (M1, M2, M16, M17)	M11 - APG1348090M41BA	
CONT1P025024V	CONTACTOR 25 AMP, 1P, 24V (M1, M2, M3, M4, M5, M6, M7, M16, M17, M18, M19, M20, M21, M22)	M12 - APG1348115M41BA	
CONT1P030024V	CONTACTOR 30 AMP, 1P, 24V (M8, M9, M10, M11, M12, M13, M14, M15, M23, M24, M25, M26, M27, M28, M29, M30)	M13 - APG1360090M41BA	
0130M00074	CUT-OUT SWITCH, HIGH PRESSURE	M14 - APG1360115M41BA	
B1086775	FAN BLADE (M3, M4, M18, M19)	M15 - APG1360140M41BA	
B1086773	FAN BLADE 22" (M1, M2, M16, M17)	M16 - GPG1324045M41BA	
0150G00003	FAN BLADE SWEPT-WING (M8, M9, M10, M11, M12, M13, M14, M15, M23, M24, M25, M26, M27, M28, M29, M30)	M17 - GPG1324070M41BA	
0150G00002	FAN BLADE SWEPT-WING (M5, M6, M7, M20, M21, M22)	M18 - GPG1330045M41BA	
0130F00010	FLAME SENSOR	M19 - GPG1330070M41BA	
PCBAG123	IGNITION BOARD, DSI INTEGRATED	M20 - GPG1336045M41BA	
0130F00014	IGNITOR	M21 - GPG1336070M41BA	
10728344	LIMIT SWITCH (M8, M9, M10, M11, M12, M13, M14, M23, M24, M25, M26, M27, M28, M29)	M22 - GPG1336090M41BA	
		M23 - GPG1342070M41BA	
		M24 - GPG1342090M41BA	
		M25 - GPG1348070M41BA	
		M26 - GPG1348090M41BA	
		M27 - GPG1348115M41BA	
		M28 - GPG1360090M41BA	
		M29 - GPG1360115M41BA	
		M30 - GPG1360140M41BA	

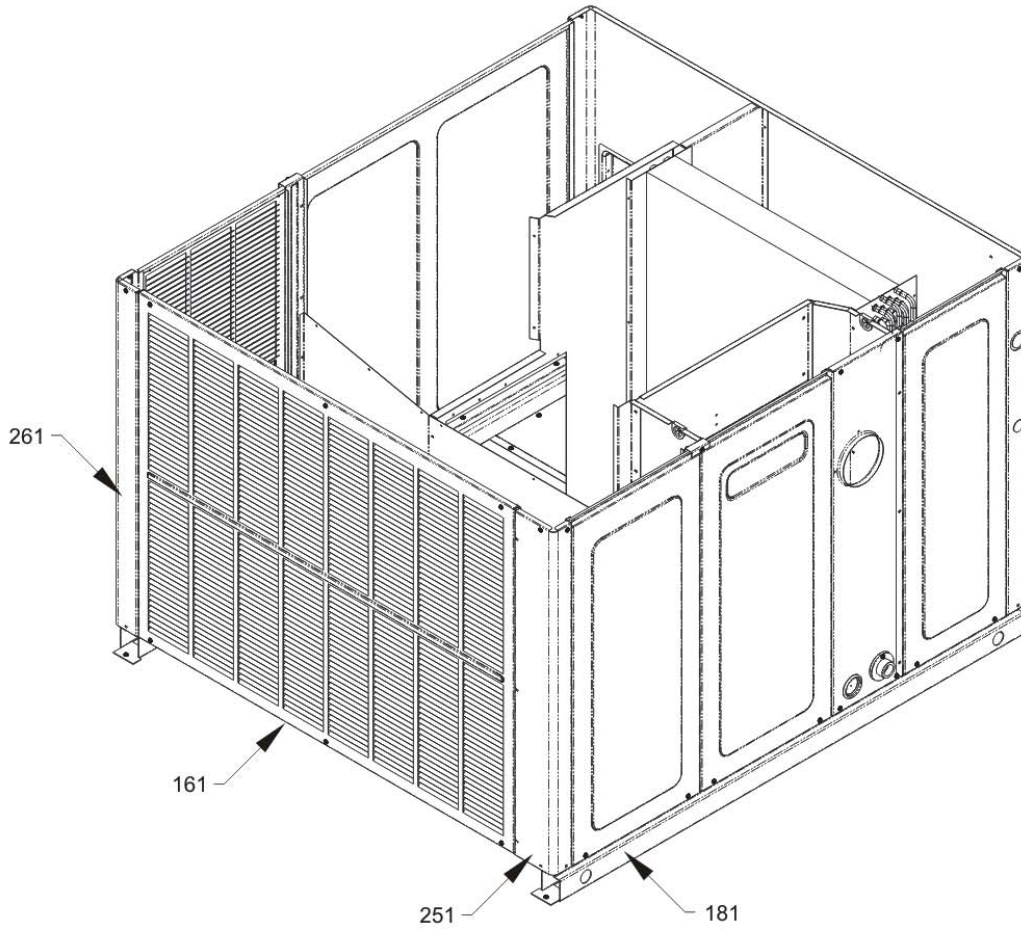
Top Panel / Fan / Cabinet



Top Panel / Fan / Cabinet

Ref. Part No: No:	Description:	Ref. Part No: No:	Description:
Image 1:		Expanded Model Nomenclature	
11	B1086775 FAN BLADE (M3, M4, M18, M19)	M1 -	APG1324045M41BA
11	B1086773 FAN BLADE 22" (M1, M2, M16, M17)	M2 -	APG1324070M41BA
11	0150G00002 FAN BLADE SWEPT-WING (M5, M6, M7, M20, M21, M22)	M3 -	APG1330045M41BA
11	0150G00003 FAN BLADE SWEPT-WING (M8, M9, M10, M11, M12, M13, M14, M15, M23, M24, M25, M26, M27, M28, M29, M30)	M4 -	APG1330070M41BA
21	0131M00061 COND MOTOR 1/4 HP, 1 SP, 8 PL (M5, M6, M7, M20, M21, M22)	M5 -	APG1336045M41BA
21	0131M00429 COND MOTOR 1/4 HP, 1 SP, 6 PL (M3, M4, M8, M9, M10, M11, M12, M13, M14, M15, M18, M19, M23, M24, M25, M26, M27, M28, M29, M30)	M6 -	APG1336070M41BA
21	0131M00009P COND MOTOR 1/6 HP, 1 SP, 8 PL (M1, M2, M16, M17)	M7 -	APG1336090M41BA
31	0152G00003 FAN GRILLE	M8 -	APG1342070M41BA
41	0121G00156PDG PNL, TOP	M9 -	APG1342090M41BA
51	M0221817 SMALL SCREW (QTY 6)	M10 -	APG1348070M41BA
61	0163M00006P ACORN NUT 5/16 HEX BLACK (QTY 4)	M11 -	APG1348090M41BA
71	20464801PDG BLOWER DOOR 32" (M1, M2, M3, M4, M5, M6, M7, M16, M17, M18, M19, M20, M21, M22)	M12 -	APG1348115M41BA
71	20464806PDG BLOWER DOOR 40" (M8, M9, M10, M11, M12, M13, M14, M15, M23, M24, M25, M26, M27, M28, M29, M30)	M13 -	APG1360090M41BA
81	20464802PDG EVAP/CONTROL DOOR 32" (M1, M2, M3, M4, M5, M6, M7, M16, M17, M18, M19, M20, M21, M22)	M14 -	APG1360115M41BA
81	20464807PDG EVAP/CONTROL DOOR 40" (M8, M9, M10, M11, M12, M13, M14, M15, M23, M24, M25, M26, M27, M28, M29, M30)	M15 -	APG1360140M41BA
91	0121G00526DG DOOR-HT EXCHANGE 32 (M1, M2, M3, M4, M5, M6, M7, M16, M17, M18, M19, M20, M21, M22)	M16 -	GPG1324045M41BA
91	0121G00527DG DOOR-HT EXCHANGE 38 (M8, M9, M10, M11, M12, M13, M14, M15, M23, M24, M25, M26, M27, M28, M29, M30)	M17 -	GPG1324070M41BA
101	20464804PDG COMPRESSOR DOOR 32" (M1, M2, M3, M4, M5, M6, M7, M16, M17, M18, M19, M20, M21, M22)	M18 -	GPG1330045M41BA
101	20464809PDG COMPRESSOR DOOR 40" (M8, M9, M10, M11, M12, M13, M14, M15, M23, M24, M25, M26, M27, M28, M29, M30)	M19 -	GPG1330070M41BA
111	20467701PDG LOUVERED PANEL, COND SIDE 32" (M18, M19)	M20 -	GPG1336045M41BA
111	20467701PLG LOUVERED PANEL, COND SIDE 32" (M3, M4)	M21 -	GPG1336070M41BA
111	0121G00465DG PANEL-COND SIDE 32, PNT (M1, M2, M5, M6, M7, M16, M17, M20, M21, M22)	M22 -	GPG1336090M41BA
111	0121G00467DG PANEL-COND SIDE 40, PNT (M8, M9, M10, M11, M12, M13, M14, M15, M23, M24, M25, M26, M27, M28, M29, M30)	M23 -	GPG1342070M41BA
121	20466101PDG UTILITY PANEL 32" (M1, M2, M3, M4, M5, M6, M7, M16, M17, M18, M19, M20, M21, M22)	M24 -	GPG1342090M41BA
121	20466102PDG UTILITY PANEL 40" (M8, M9, M10, M11, M12, M13, M14, M15, M23, M24, M25, M26, M27, M28, M29, M30)	M25 -	GPG1348070M41BA
131	0121G00239DG DUCT PANEL 32.5" (M1, M2, M3, M4, M5, M6, M7, M16, M17, M18, M19, M20, M21, M22)	M26 -	GPG1348090M41BA
131	0121G00240DG DUCT PANEL 40" (M8, M9, M10, M11, M12, M13, M14, M15, M23, M24, M25, M26, M27, M28, M29, M30)	M27 -	GPG1348115M41BA
		M28 -	GPG1360090M41BA
		M29 -	GPG1360115M41BA
		M30 -	GPG1360140M41BA

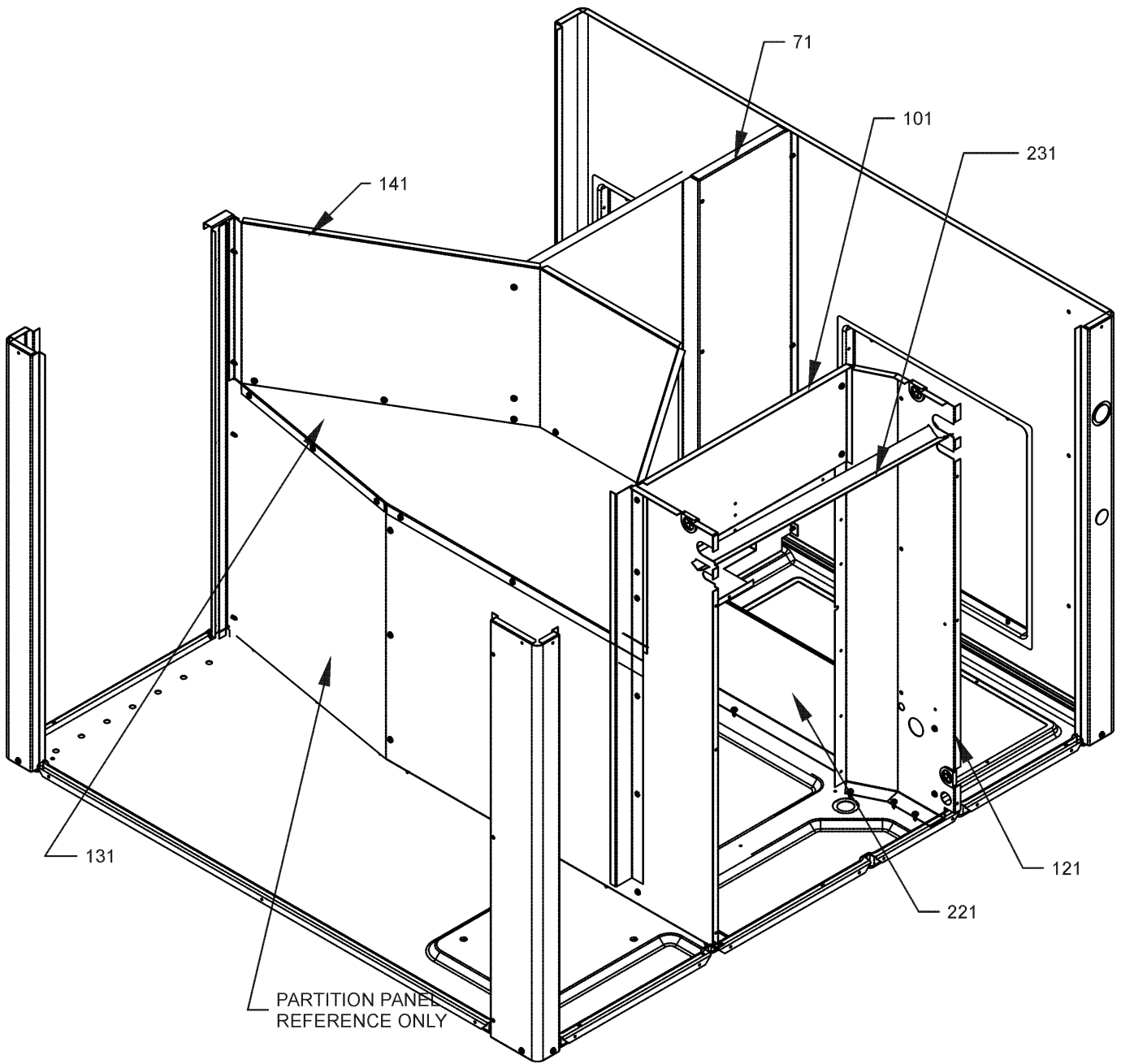
Cabinet



Cabinet

Ref. Part No:	No:	Description:	Ref. Part No:	No:	Description:
<i>Image 1:</i>			Expanded Model Nomenclature		
161	20464401PDG	LOUVERED PANEL, COND SIDE 32" (M16, M17, M18, M19, M20, M21, M22)	M1	-	APG1324045M41BA
161	20464401PLG	LOUVERED PANEL, COND SIDE 32" (M1, M2, M3, M4, M5, M6, M7)	M2	-	APG1324070M41BA
161	20464402PDG	LOUVERED PANEL, COND SIDE 40" (M23, M24, M25, M26, M27, M28, M29, M30)	M3	-	APG1330045M41BA
161	20464402PLG	LOUVERED PANEL, COND SIDE 40" (M8, M9, M10, M11, M12, M13, M14, M15)	M4	-	APG1330070M41BA
251	20464201PDG	CORNER POST-COMP END 32" (M3, M4, M18, M19)	M5	-	APG1336045M41BA
251	0121G00453DG	CORNER-POST COMP END, PNT (M1, M2, M5, M6, M7, M16, M17, M20, M21, M22)	M6	-	APG1336070M41BA
251	0121G00455DG	CORNER-POST COMP END, PNT (M8, M9, M10, M11, M12, M13, M14, M15, M23, M24, M25, M26, M27, M28, M29, M30)	M7	-	APG1336090M41BA
261	20464301PDG	CORNER POST-HAIRPIN END 32" (M3, M4, M18, M19)	M8	-	APG1342070M41BA
261	20464302PDG	CORNER POST-HAIRPIN END 40" (M8, M9, M10, M11, M12, M13, M14, M15, M23, M24, M25, M26, M27, M28, M29, M30)	M9	-	APG1342090M41BA
261	0121G00454DG	CORNER-POST HPIN END, PNT (M1, M2, M5, M6, M7, M16, M17, M20, M21, M22)	M10	-	APG1348070M41BA
NS	0121G00323	FLUE HOOD (QTY 2)	M11	-	APG1348090M41BA
NS	0270G00070	FLUE HOOD ASSY	M12	-	APG1348115M41BA
NS	0121G00190	FLUE HOOD-LOWER	M13	-	APG1360090M41BA
NS	B1910012	GAS LINE GROMMET	M14	-	APG1360115M41BA
NS	17788000083F	PVC CONDUIT 8.25"	M15	-	APG1360140M41BA
NS	20472601	SCREEN-FLUE HOOD	M16	-	GPG1324045M41BA
			M17	-	GPG1324070M41BA
			M18	-	GPG1330045M41BA
			M19	-	GPG1330070M41BA
			M20	-	GPG1336045M41BA
			M21	-	GPG1336070M41BA
			M22	-	GPG1336090M41BA
			M23	-	GPG1342070M41BA
			M24	-	GPG1342090M41BA
			M25	-	GPG1348070M41BA
			M26	-	GPG1348090M41BA
			M27	-	GPG1348115M41BA
			M28	-	GPG1360090M41BA
			M29	-	GPG1360115M41BA
			M30	-	GPG1360140M41BA

Partition Assembly



Partition Assembly

Ref. Part No:	No:	Description:	Ref. Part No:	Description:
<i>Image 1:</i>			Expanded Model Nomenclature	
71	20465305	BLOWER DIVIDER (M1, M2, M3, M4, M16, M17, M18, M19)	M1 -	APG1324045M41BA
71	20465306	BLOWER DIVIDER (M8, M9, M23, M24)	M2 -	APG1324070M41BA
71	20465304	BLOWER DIVIDER 32" 10 X 9 (M5, M6, M7, M20, M21, M22)	M3 -	APG1330045M41BA
71	0121G00177	BLOWER DIVIDER 38" (M10, M11, M12, M13, M14, M15, M25, M26, M27, M28, M29, M30)	M4 -	APG1330070M41BA
101	20465201	FILLER PANEL, HEAT EXCHANGER 32" (M1, M2, M3, M4, M5, M6, M7, M16, M17, M18, M19, M20, M21, M22)	M5 -	APG1336045M41BA
121	20465501	EVAP/HEAT EXCHANGER DIVIDER 32" (M1, M2, M3, M4, M5, M6, M7, M16, M17, M18, M19, M20, M21, M22)	M6 -	APG1336070M41BA
121	20465502	EVAP/HEAT EXCHANGER DIVIDER 38" (M8, M9, M10, M11, M12, M13, M14, M15, M23, M24, M25, M26, M27, M28, M29, M30)	M7 -	APG1336090M41BA
131	20465701	FAN PARTITION SHELF	M8 -	APG1342070M41BA
141	20465801	FAN SURROUND 32" (M1, M2, M3, M4, M5, M6, M7, M16, M17, M18, M19, M20, M21, M22)	M9 -	APG1342090M41BA
141	20465802	FAN SURROUND 40" (M8, M9, M10, M11, M12, M13, M14, M15, M23, M24, M25, M26, M27, M28, M29, M30)	M10 -	APG1348070M41BA
221	20463802	EVAP/BASEPAN BLOCK 32" (M1, M2, M3, M4, M5, M6, M7, M16, M17, M18, M19, M20, M21, M22)	M11 -	APG1348090M41BA
221	20463801	EVAP/BASEPAN BLOCK 40" (M8, M9, M10, M11, M12, M13, M14, M15, M23, M24, M25, M26, M27, M28, M29, M30)	M12 -	APG1348115M41BA
231	0121G00555	CHANNEL, SUCT TB DRAIN	M13 -	APG1360090M41BA
			M14 -	APG1360115M41BA
			M15 -	APG1360140M41BA
			M16 -	GPG1324045M41BA
			M17 -	GPG1324070M41BA
			M18 -	GPG1330045M41BA
			M19 -	GPG1330070M41BA
			M20 -	GPG1336045M41BA
			M21 -	GPG1336070M41BA
			M22 -	GPG1336090M41BA
			M23 -	GPG1342070M41BA
			M24 -	GPG1342090M41BA
			M25 -	GPG1348070M41BA
			M26 -	GPG1348090M41BA
			M27 -	GPG1348115M41BA
			M28 -	GPG1360090M41BA
			M29 -	GPG1360115M41BA
			M30 -	GPG1360140M41BA

Basepan / Blower Assembly

Image 1

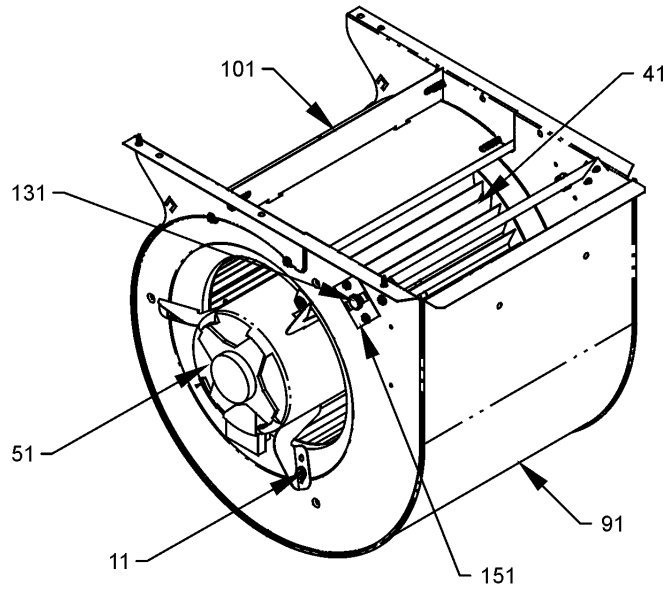
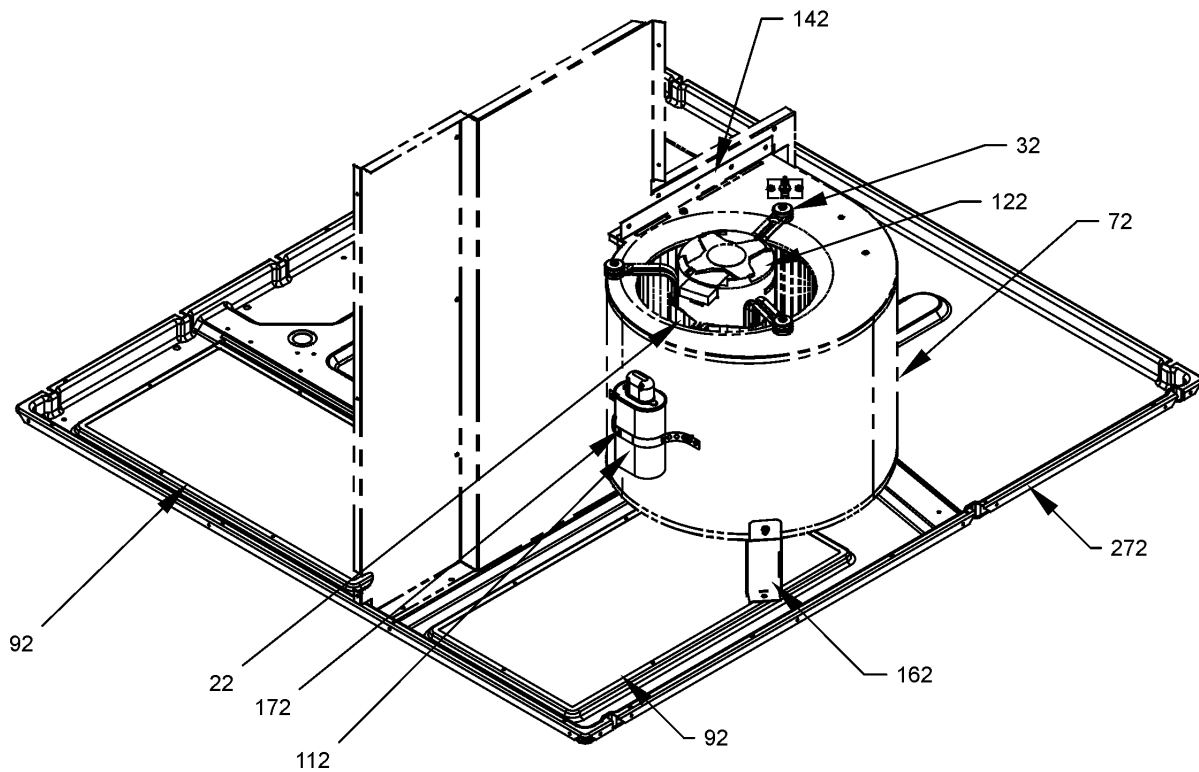


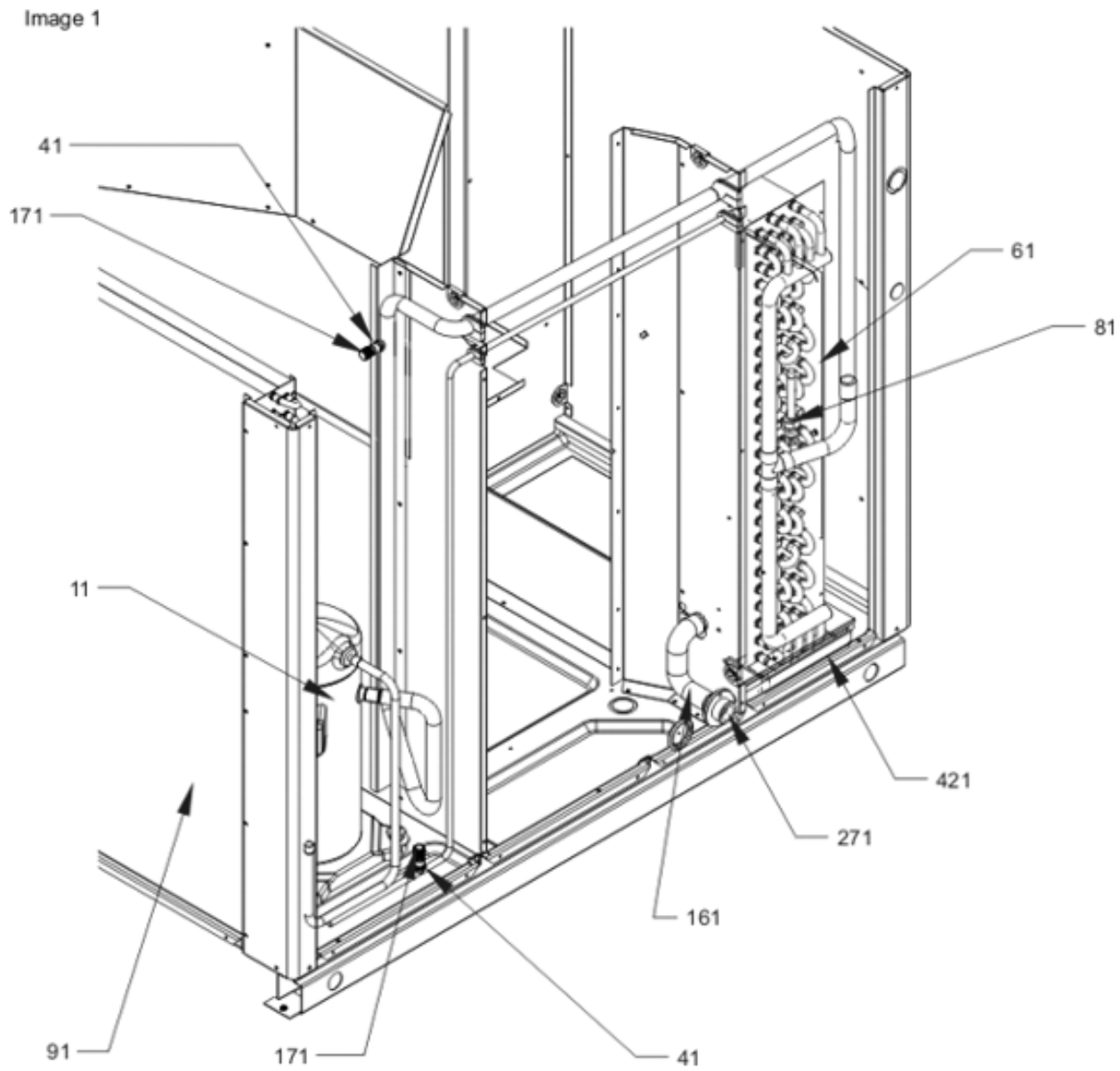
Image 2



Basepan / Blower Assembly

Ref. Part No: No:	Description:	Ref. Part No: No:	Description:
Image 1:		Image 2:	
11	M0250558 TC SCREW (M1, M2, M3, M4, M5, M6, M7, M8, M9, M16, M17, M18, M19, M20, M21, M22, M23, M24)	NS	B821700 CAPACITOR BOOT (M1, M2, M3, M4, M5, M6, M7, M8, M9, M16, M17, M18, M19, M20, M21, M22, M23, M24)
11	M0250565 TC SCREW 1.25" (M10, M11, M12, M13, M14, M15, M25, M26, M27, M28, M29, M30)	NS	B1393800 LOCKNUT, NYLON, INSERT 1/4, 20 (M10, M11, M12, M13, M14, M15, M25, M26, M27, M28, M29, M30)
41	D6723303 BLOWER WHEEL (M5, M6, M7, M20, M21, M22)	NS	B1393553 SCREW,HWH,14X5/8,A,BZ,SLOT (M10, M11, M12, M13, M14, M15, M25, M26, M27, M28, M29, M30)
41	D6723306 BLOWER WHEEL (M8, M9, M23, M24)		
41	B1368016 BLOWER WHEEL 10 X 8 (M3, M4, M18, M19)		
41	B1368058 BLOWER WHEEL 10 X 8 (M1, M2, M16, M17)		
41	B1368000 BLOWER WHEEL 11 X 10 (M10, M11, M12, M13, M14, M15, M25, M26, M27, M28, M29, M30)		
51	11091202 BLOWER MOTOR 1/3 HP, 3 SP, 6 PL (M3, M4, M18, M19)		
51	11091203 BLOWER MOTOR 1/3 HP, 3 SP, 6 PL (M5, M6, M7, M8, M9, M20, M21, M22, M23, M24)		
51	11091207 BLOWER MOTOR 1/4 HP, 3 SP, 8 PL (M1, M2, M16, M17)		
71	2539309 BLOWER HOUSING ASSY 11 X 10 (M10, M11, M12, M13, M14, M15, M25, M26, M27, M28, M29, M30)		
91	0271F00057 BLOWER HOUSING ASSY 10 X 10 (M8, M9, M23, M24)		
91	0271F00001P BLOWER HOUSING ASSY 10 X 8 (M1, M2, M16, M17)		
91	0271G00025 BLOWER HOUSING ASSY 10 X 8 (M3, M4, M18, M19)		
91	0271G00024 BLOWER HOUSING ASSY 10 X 9 (M5, M6, M7, M20, M21, M22)		
101	764742 BLOWER BLOCK-OFF (M5, M6, M7, M20, M21, M22)		
101	764741 BLOWER BLOCK-OFF 10 X 10 (M8, M9, M23, M24)		
101	764740 BLOWER BLOCK-OFF 10 X 8 (M1, M2, M3, M4, M16, M17, M18, M19)		
101	1864703F BLOWER CUT-OFF (M10, M11, M12, M13, M14, M15, M25, M26, M27, M28, M29, M30)		
131	20269903 AUXILIARY LIMIT, AUTO RESET		
151	2509503F AUXILIARY LIMIT BRACKET		
NS	B1392143 GROMMET, 26TAL F/TORSIN FLEX (M1, M2, M8, M9, M16, M17, M23, M24)		
Image 2:		Expanded Model Nomenclature	
22	0121M00038 MOTOR MOUNT BAND (M10, M11, M12, M13, M14, M15, M25, M26, M27, M28, M29, M30)	M1	- APG1324045M41BA
32	B1376857 MOTOR MOUNT ARM (M10, M11, M12, M13, M14, M15, M25, M26, M27, M28, M29, M30)	M2	- APG1324070M41BA
92	0121G00148 SINGLE COVER, DOWN DISCHARGE (QTY 2)	M3	- APG1330045M41BA
112	CAP100000370LA CAPACITOR 10/370V (M1, M2, M3, M4, M5, M6, M7, M8, M9, M16, M17, M18, M19, M20, M21, M22, M23, M24)	M4	- APG1330070M41BA
122	0131M00522 MOTOR - 1 HP PROGRAMMED SELEC (M13, M14, M15, M28, M29, M30)	M5	- APG1336045M41BA
122	0131M00527 MOTOR - 1 HP PROGRAMMED SELEC (M10, M11, M12, M25, M26, M27)	M6	- APG1336070M41BA
142	20463701 11 X 10 BLOWER MOUNTING (M10, M11, M12, M13, M14, M15, M25, M26, M27, M28, M29, M30)	M7	- APG1336090M41BA
172	20520901 CAPACITOR STRAP (M1, M2, M16, M17)	M8	- APG1342070M41BA
272	0121G00444 BASEPAN, PACKAGE	M9	- APG1342090M41BA
		M10	- APG1348070M41BA
		M11	- APG1348090M41BA
		M12	- APG1348115M41BA
		M13	- APG1360090M41BA
		M14	- APG1360115M41BA
		M15	- APG1360140M41BA
		M16	- GPG1324045M41BA
		M17	- GPG1324070M41BA
		M18	- GPG1330045M41BA
		M19	- GPG1330070M41BA
		M20	- GPG1336045M41BA
		M21	- GPG1336070M41BA
		M22	- GPG1336090M41BA
		M23	- GPG1342070M41BA
		M24	- GPG1342090M41BA
		M25	- GPG1348070M41BA
		M26	- GPG1348090M41BA
		M27	- GPG1348115M41BA
		M28	- GPG1360090M41BA
		M29	- GPG1360115M41BA
		M30	- GPG1360140M41BA

Compressor / Tubing Assembly



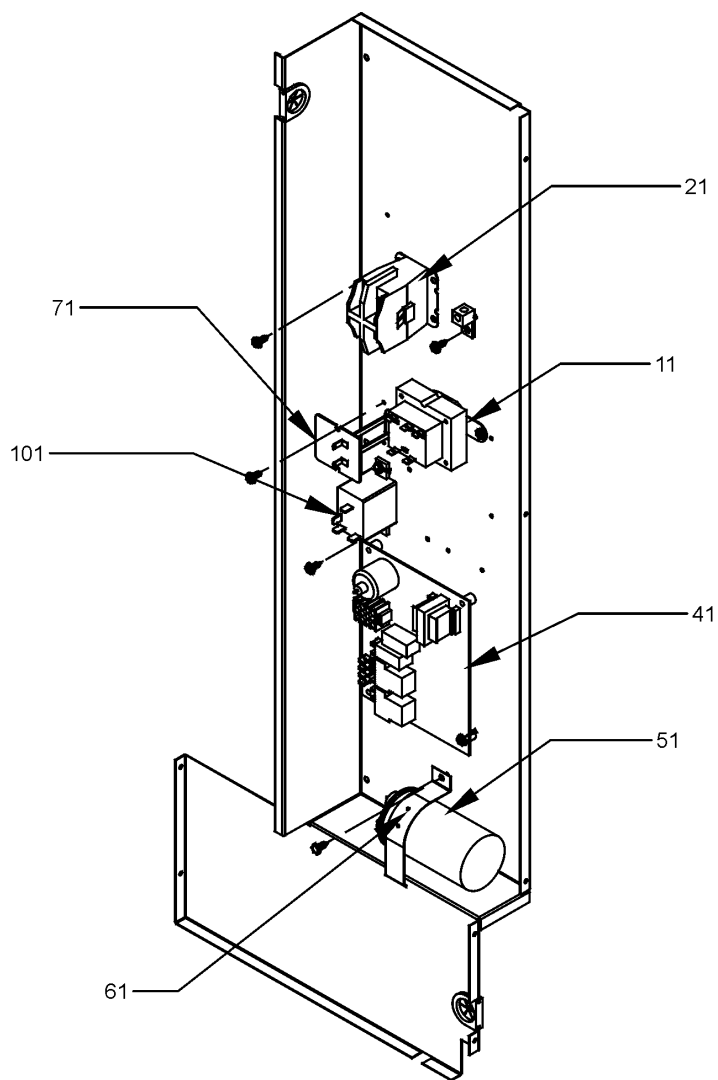
Compressor / Tubing Assembly

Ref. Part No: No:	Description:	Ref. Part No: No:	Description:
Image 1:		Expanded Model Nomenclature	
11	ZP20K5EPFV130	COMPRESSOR 20000, 208/230/60/1 (M1, M2, M16, M17)	M1 - APG1324045M41BA
11	ZP25K5EPFV130	COMPRESSOR 25200, 208/230/60/1 (M3, M4, M18, M19)	M2 - APG1324070M41BA
11	ZP31K5EPFV130	COMPRESSOR 31100, 208/230/60/1 (M5, M6, M7, M20, M21, M22)	M3 - APG1330045M41BA
11	ZP34K5EPFV130	COMPRESSOR 34500, 208/230/60/1 (M8, M9, M23, M24)	M4 - APG1330070M41BA
11	ZP39K5EPFV130	COMPRESSOR 39000, 208/230/60/1 (M10, M11, M12, M25, M26, M27)	M5 - APG1336045M41BA
11	ZP51K5EPFV130	COMPRESSOR 51000, 208/230/60/1 (M13, M14, M15, M28, M29, M30)	M6 - APG1336070M41BA
41	B1373315	ACCESS FITTING (QTY 2)	M7 - APG1336090M41BA
61	0202G00525	EVAP COIL ASSY (M1, M2, M16, M17)	M8 - APG1342070M41BA
61	0202G00526	EVAP COIL ASSY (M3, M4, M18, M19)	M9 - APG1342090M41BA
61	0202G00527	EVAP COIL ASSY (M5, M6, M7, M20, M21, M22)	M10 - APG1348070M41BA
61	0202G00529	EVAP COIL ASSY (M13, M14, M15, M28, M29, M30)	M11 - APG1348090M41BA
61	0202G00530	EVAP COIL ASSY (M8, M9, M23, M24)	M12 - APG1348115M41BA
61	0202G00531	EVAP COIL ASSY (M10, M11, M12, M25, M26, M27)	M13 - APG1360090M41BA
81	0162M00171	FLOWRATOR, ALUM W/ COPPER STUB (M8, M9, M23, M24)	M14 - APG1360115M41BA
81	0162M00176	FLOWRATOR, ALUM W/ COPPER STUB (M3, M4, M18, M19)	M15 - APG1360140M41BA
81	0162M00179	FLOWRATOR, ALUM W/ COPPER STUB (M10, M11, M12, M25, M26, M27)	M16 - GPG1324045M41BA
81	0162M00194	FLOWRATOR, ALUM W/ COPPER STUB (M1, M2, M16, M17)	M17 - GPG1324070M41BA
81	0162M00195	FLOWRATOR, ALUM W/ COPPER STUB (M5, M6, M7, M20, M21, M22)	M18 - GPG1330045M41BA
81	0162M00196	FLOWRATOR, ALUM W/ COPPER STUB (M13, M14, M15, M28, M29, M30)	M19 - GPG1330070M41BA
91	0201G00142	COND COIL TUBING ASSY (M3, M4, M18, M19)	M20 - GPG1336045M41BA
91	0201G00247	CONDENSER COIL ASSY (M1, M2, M16, M17)	M21 - GPG1336070M41BA
91	0201G00249	CONDENSER COIL ASSY (M5, M6, M7, M10, M11, M12, M20, M21, M22, M25, M26, M27)	M22 - GPG1336090M41BA
91	0201G00252	CONDENSER COIL ASSY (M13, M14, M15, M28, M29, M30)	M23 - GPG1342070M41BA
91	0201G00254	CONDENSER COIL ASSY (M8, M9, M23, M24)	M24 - GPG1342090M41BA
161	20498302	DRAIN TUBE 32" (M1, M2, M3, M4, M5, M6, M7, M16, M17, M18, M19, M20, M21, M22)	M25 - GPG1348070M41BA
161	20498301	DRAIN TUBE 40" (M8, M9, M10, M11, M12, M13, M14, M15, M23, M24, M25, M26, M27, M28, M29, M30)	M26 - GPG1348090M41BA
171	0163M00175	CAP WITH O-RING (QTY 2)	M27 - GPG1348115M41BA
271	20513001	EVAP DRAIN FITTING	M28 - GPG1360090M41BA
421	20464901DF	DRAIN PAN-EVAP COIL	M29 - GPG1360115M41BA
NS	B1339533	COMPRESSOR GROMMET (QTY 4)	M30 - GPG1360140M41BA
NS	0159G00002	COMPRESSOR SCROLL HARNESS (M1, M2, M3, M4, M5, M6, M7, M16, M17, M18, M19, M20, M21, M22)	
NS	0159G00006	COMPRESSOR SCROLL HARNESS (M8, M9, M10, M11, M12, M13, M14, M15, M23, M24, M25, M26, M27, M28, M29, M30)	
NS	0130M00074	CUT-OUT SWITCH, HIGH PRESSURE	
NS	B1810011	HOSE CLAMP 1.25 (QTY 2)	
NS	B1219225	SINGLE-FLOW FILTER DRIER, STEEL	
NS	M0221641	TF SHOULDER SCREW (QTY 4)	

Heat Exchanger / Manifold / Gas Valve

Ref. Part No:	Description:	Ref. Part No:	Description:
Image 1:		Image 1:	
21	0131G00007 MOTOR, ID BLOWER	NS	0154G00003 GASKET, ID BLOWER & PLATE (M1, M2, M3, M4, M5, M6, M7, M16, M17, M18, M19, M20, M21, M22)
31	0121G00433 PLATE-ID BLWR LRG BRNR 1.75 (M8, M10, M23, M25)	NS	0154G00004 GASKET, ID BLOWER & PLATE (M8, M9, M10, M11, M12, M13, M14, M15, M23, M24, M25, M26, M27, M28, M29, M30)
31	0121G00430 PLATE-ID BLWR LRG 4 BRNR 2 (M9, M11, M13, M24, M26, M28)	NS	DY6.186.070 VENT MOTOR CAPACITOR
31	0121G00431 PLATE-ID BLWR LRG 5 BRNR 3 (M12, M14, M27, M29)	Expanded Model Nomenclature	
31	0121G00432 PLATE-ID BLWR LRG 6 BRNR 3.5 (M15, M30)	M1 - APG1324045M41BA	
31	0121G00427 PLATE-ID BLWR SML 2 BRNR 1.5 (M1, M3, M5, M16, M18, M20)	M2 - APG1324070M41BA	
31	0121G00428 PLATE-ID BLWR SML 3 BRNR 1.75 (M2, M4, M6, M17, M19, M21)	M3 - APG1330045M41BA	
31	0121G00429 PLATE-ID BLWR SML 4 BRNR 2 (M7, M22)	M4 - APG1330070M41BA	
41	11112501 PRESSURE SWITCH	M5 - APG1336045M41BA	
51	4305019 HEAT EXCHANGER ASSY 6B (M30)	M6 - APG1336070M41BA	
51	20490714 PART/TUBE ASSY (M16, M18, M20)	M7 - APG1336090M41BA	
51	20490715 PART/TUBE ASSY (M1, M3, M5)	M8 - APG1342070M41BA	
51	20490716 PART/TUBE ASSY (M23, M25)	M9 - APG1342090M41BA	
51	20490717 PART/TUBE ASSY (M8, M10)	M10 - APG1348070M41BA	
51	20490718 PART/TUBE ASSY (M15)	M11 - APG1348090M41BA	
51	20490707 PART/TUBE ASSY 3B (M17, M19, M21)	M12 - APG1348115M41BA	
51	20490710 PART/TUBE ASSY 3B (M2, M4, M6)	M13 - APG1360090M41BA	
51	20490703 PART/TUBE ASSY 4B (M22)	M14 - APG1360115M41BA	
51	20490704 PART/TUBE ASSY 4B (M24, M26, M28)	M15 - APG1360140M41BA	
51	20490711 PART/TUBE ASSY 4B (M7)	M16 - GPG1324045M41BA	
51	20490712 PART/TUBE ASSY 4B (M9, M11, M13)	M17 - GPG1324070M41BA	
51	20490705 PART/TUBE ASSY 5B (M27, M29)	M18 - GPG1330045M41BA	
51	20490713 PART/TUBE ASSY 5B (M12, M14)	M19 - GPG1330070M41BA	
71	0130F00014 IGNITOR	M20 - GPG1336045M41BA	
81	0151M00013S VALVE, GAS (HW) SINGLE STAGE	M21 - GPG1336070M41BA	
91	0130F00010 FLAME SENSOR	M22 - GPG1336090M41BA	
101	0121M00035P MANIFOLD - 2 BRNR (M1, M3, M5, M16, M18, M20)	M23 - GPG1342070M41BA	
101	0121M00036P MANIFOLD - 3 BRNR (M8, M10, M23, M25)	M24 - GPG1342090M41BA	
101	20493103 MANIFOLD - 3 BRNR (M2, M4, M6, M17, M19, M21)	M25 - GPG1348070M41BA	
101	20493104 MANIFOLD - 4 BRNR (M7, M22)	M26 - GPG1348090M41BA	
101	20493105 MANIFOLD - 4 BRNR (M9, M11, M13, M24, M26, M28)	M27 - GPG1348115M41BA	
101	20493106 MANIFOLD - 5 BRNR (M12, M14, M27, M29)	M28 - GPG1360090M41BA	
101	20493107 MANIFOLD - 6 BRNR (M15, M30)	M29 - GPG1360115M41BA	
121	20190410 BURNER BRACKET 2B (M1, M3, M5, M16, M18, M20)	M30 - GPG1360140M41BA	
121	20190411 BURNER BRACKET 3B (M2, M4, M6, M8, M10, M17, M19, M21, M23, M25)		
121	20190412 BURNER BRACKET 4B (M7, M9, M11, M13, M22, M24, M26, M28)		
121	20190413 BURNER BRACKET 5B (M12, M14, M27, M29)		
121	0121F00145 BURNER BRACKET 6B (M15, M30)		
131	10123532 MANUAL RESET LIMIT 350°F		
141	20484401 ELBOW-FLUE LEFT		
141	20484402 ELBOW-FLUE RIGHT		
151	11072201 ORIFICE SHIELD (M1, M3, M5, M16, M18, M20)		
151	11072202 ORIFICE SHIELD (M2, M4, M6, M8, M10, M17, M19, M21, M23, M25)		
151	11072203 ORIFICE SHIELD (M7, M9, M11, M13, M22, M24, M26, M28)		
151	11072204 ORIFICE SHIELD (M12, M14, M27, M29)		
151	11072205 ORIFICE SHIELD (M15, M30)		
161	10716003 ORIFICE (QTY 2)		

Control Panel



Control Panel

**Ref. Part
No: No:**

Description:

**Ref. Part
No: No:**

Description:

Image 1:

21	CONT1P025024V	CONTACTOR 25 AMP, 1P, 24V (M1, M2, M3, M4, M5, M6, M7, M16, M17, M18, M19, M20, M21, M22)
21	CONT1P030024V	CONTACTOR 30 AMP, 1P, 24V (M8, M9, M10, M11, M12, M13, M14, M15, M23, M24, M25, M26, M27, M28, M29, M30)
21	0130M00138	TRANSFORMER 208/230, 24V
41	PCBAG123	IGNITION BOARD, DSI INTEGRATED
51	CAP050350440CS	CAPACITOR 5/35/440V (M1, M2, M16, M17)
51	CAP050400440CT	CAPACITOR 5/40/440V/DUAL RD (M3, M4, M18, M19)
51	CAP050450440CT	CAPACITOR 5/45/440V/DUAL RD (M5, M6, M7, M8, M9, M10, M11, M12, M20, M21, M22, M23, M24, M25, M26, M27)
51	CAP050700440CT	CAPACITOR 5/70/440V/DUAL RD (M13, M14, M15, M28, M29, M30)
61	20520901	CAPACITOR STRAP
71	10728342	LIMIT SWITCH (M1, M2, M3, M4, M16, M17, M18, M19)
71	10728343	LIMIT SWITCH (M5, M6, M7, M15, M20, M21, M22, M30)
71	10728344	LIMIT SWITCH (M8, M9, M10, M11, M12, M13, M14, M23, M24, M25, M26, M27, M28, M29)
101	0130M00025	24V RELAY (M10, M11, M12, M13, M14, M15, M25, M26, M27, M28, M29, M30)
NS	0259G00009	BLOWER HARNESS (M1, M2, M3, M4, M5, M6, M7, M8, M9, M16, M17, M18, M19, M20, M21, M22, M23, M24)
NS	0259G00143	ECONOMIZER HARNESS
NS	0259G00023	HARNESS, BLOWER (M10, M11, M12, M13, M14, M15, M25, M26, M27, M28, M29, M30)
NS	0259G00081	HARNESS-CONTROL (M8, M9, M23, M24)
NS	0259G00083	HARNESS-CONTROL (M10, M11, M12, M25, M26, M27)
NS	0259G00084	HARNESS-CONTROL (M13, M14, M15, M28, M29, M30)
NS	0259G00086	HARNESS-CONTROL (M5, M6, M7, M20, M21, M22)
NS	0259G00118	HARNESS-CONTROL, FAN (M2, M3, M4, M17, M18, M19)
NS	0259G00119	HARNESS-CONTROL, FAN (M1, M16)
NS	0259G00113	PLUG ASSY, 12 PIN MALE (M8, M9, M10, M11, M12, M13, M14, M15, M23, M24, M25, M26, M27, M28, M29, M30)
NS	0259G00116	PLUG ASSY, 12 PIN MALE (M1, M2, M3, M4, M5, M6, M7, M16, M17, M18, M19, M20, M21, M22)

Expanded Model Nomenclature

M1 - APG1324045M41BA
M2 - APG1324070M41BA
M3 - APG1330045M41BA
M4 - APG1330070M41BA
M5 - APG1336045M41BA
M6 - APG1336070M41BA
M7 - APG1336090M41BA
M8 - APG1342070M41BA
M9 - APG1342090M41BA
M10 - APG1348070M41BA
M11 - APG1348090M41BA
M12 - APG1348115M41BA
M13 - APG1360090M41BA
M14 - APG1360115M41BA
M15 - APG1360140M41BA
M16 - GPG1324045M41BA
M17 - GPG1324070M41BA
M18 - GPG1330045M41BA
M19 - GPG1330070M41BA
M20 - GPG1336045M41BA
M21 - GPG1336070M41BA
M22 - GPG1336090M41BA
M23 - GPG1342070M41BA
M24 - GPG1342090M41BA
M25 - GPG1348070M41BA
M26 - GPG1348090M41BA
M27 - GPG1348115M41BA
M28 - GPG1360090M41BA
M29 - GPG1360115M41BA
M30 - GPG1360140M41BA