

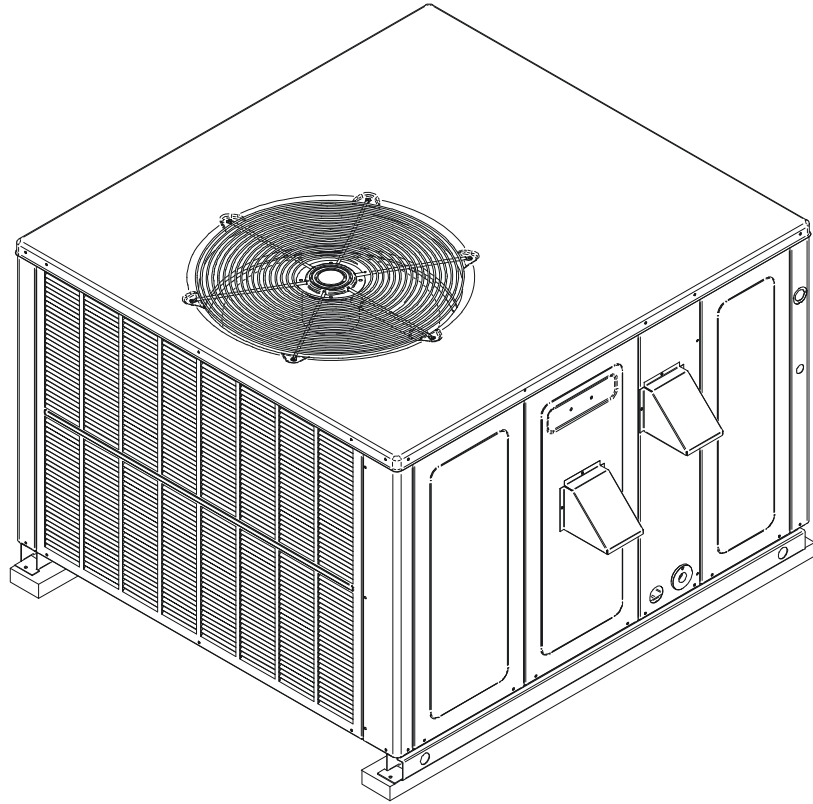
REPAIR PARTS

APG13 Package Gas Units

APG1336045M41CA

APG1336070M41CA

APG1336090M41CA



This manual is to be used by qualified technicians only.

© 2009,2012 Goodman Manufacturing Company, L.P. ♦ 5151 San Felipe, Suite 500 ♦ Houston, TX 77056

Important Information

Index

Functional Parts List	3
Illustration and Parts	4 - 15

Views shown are for parts illustrations only, not servicing procedures.

This system uses R410A refrigerant. If sealed system work is required, use approved equipment and follow service procedures. Refer to Service Manual or Installation Instructions for service procedures.

CA Revision: changes the current 1 row condenser coil to a 2 row 5/16 condenser with a liquid manifold.

Text Codes:

AR - As Required

NA - Not Available

NS - Not Shown

00000000 - See Note

QTY - Quantity Example (QTY 3) (If Quantity not shown, Quantity = 1)

M - Model Example (M1) (If M Code not shown, then part is used on all Models)

Expanded Model Nomenclature:

Example M1 - Model#1 M2 - Model#2 M3 - Model#3

Goodman Manufacturing Company, L.P. is not responsible for personal injury or property damage resulting from improper service. Review all service information before beginning repairs.

Warranty service must be performed by an authorized technician, using authorized factory parts. If service is required after the warranty expires, Goodman Manufacturing Company, L.P. also recommends contacting an authorized technician and using authorized factory parts.

Goodman Manufacturing Company, L.P. reserves the right to discontinue, or change at any time, specifications or designs without notice or without incurring obligations.

For assistance within the U.S.A. contact:
Consumer Affairs Department
Goodman Manufacturing Company, L.P.
7401 Security Way
Houston, Texas 77040
877-254-4729-Telephone
713-863-2382-Facsimile

For assistance outside the U.S.A. contact:
International Division
Goodman Manufacturing Company, L.P.
7401 Security Way
Houston, Texas 77040
713-861-2500-Telephone
713-863-2382-Facsimile

Functional Parts

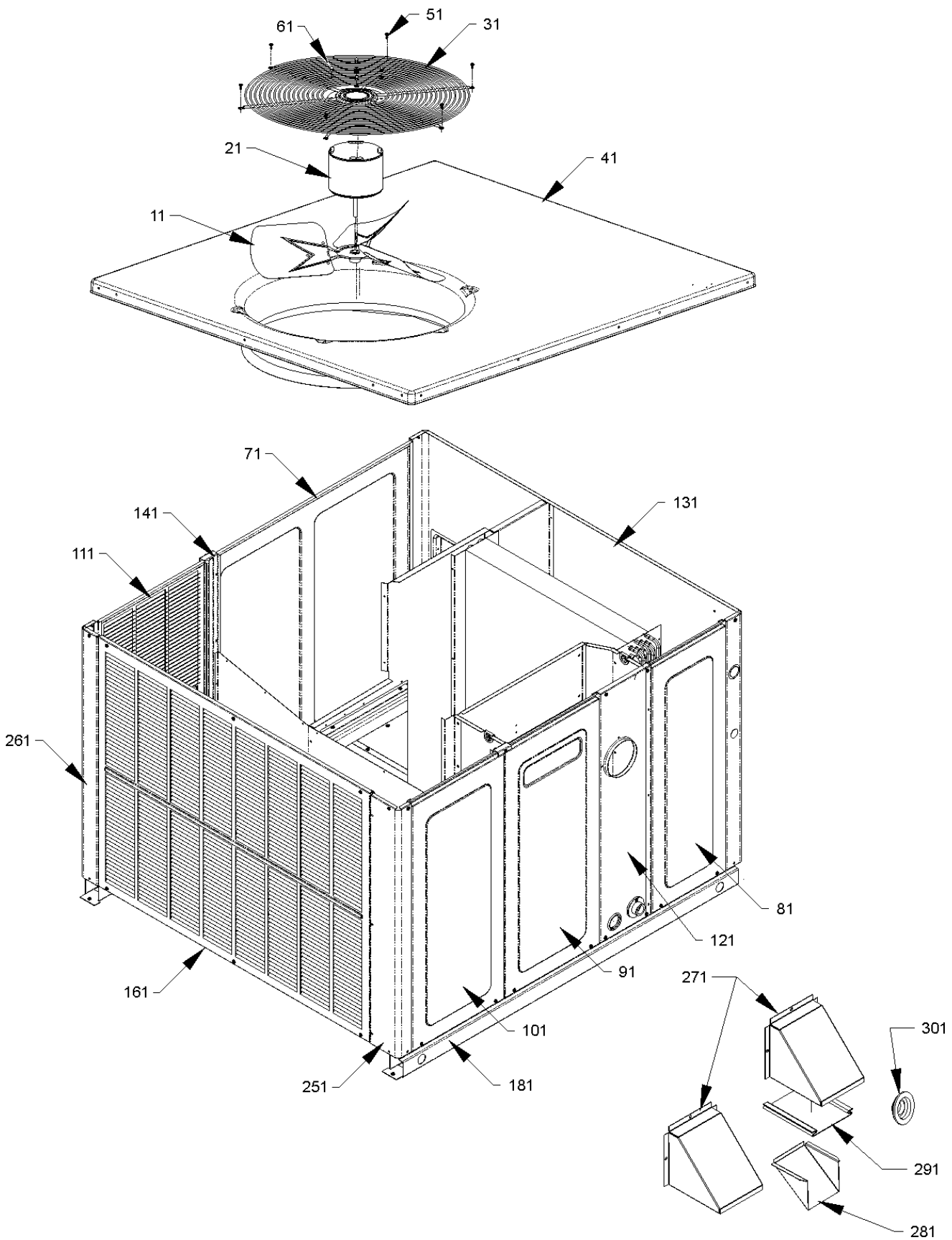
Part

No:

Description:

20269903	AUXILIARY LIMIT, AUTO RESET
11091203S	BLOWER MOTOR 1/3 HP, 3 SP, 6 PL
D6723303S	BLOWER WHEEL
CAP100000370VAS	CAPACITOR 10/370V [BLOWER]
CAP050450440RTS	CAPACITOR 5/45/440V
ZP31K5EPFV830	COMPRESSOR 31100, 208/230/60/1
CONT2P025024VS	CONTACTOR 25 AMP, 2P, 24V
0130M00018S	CUT-OUT SWITCH, HIGH PRESSURE
0130F00010	FLAME SENSOR
PCBAG123S	IGNITION BOARD, DSI INTEGRATED
0130F00014S	IGNITOR
10728343	LIMIT SWITCH
10123532	MANUAL RESET LIMIT 350°F
0131M00061S	MOTOR, 1/4HP, 1SP, 8PL
0131G00007S	MOTOR, ID BLOWER
11112501S	PRESSURE SWITCH
B1141643	TRANSFORMER 208/230, 24V
0151M00013	VALVE, GAS (HW) SINGLE STAGE

Top Panel/Fan/Cabinet



Top Panel/Fan/Cabinet

Ref. Part No: No:	Description:	Ref. Part No: No:	Description:
-------------------	--------------	-------------------	--------------

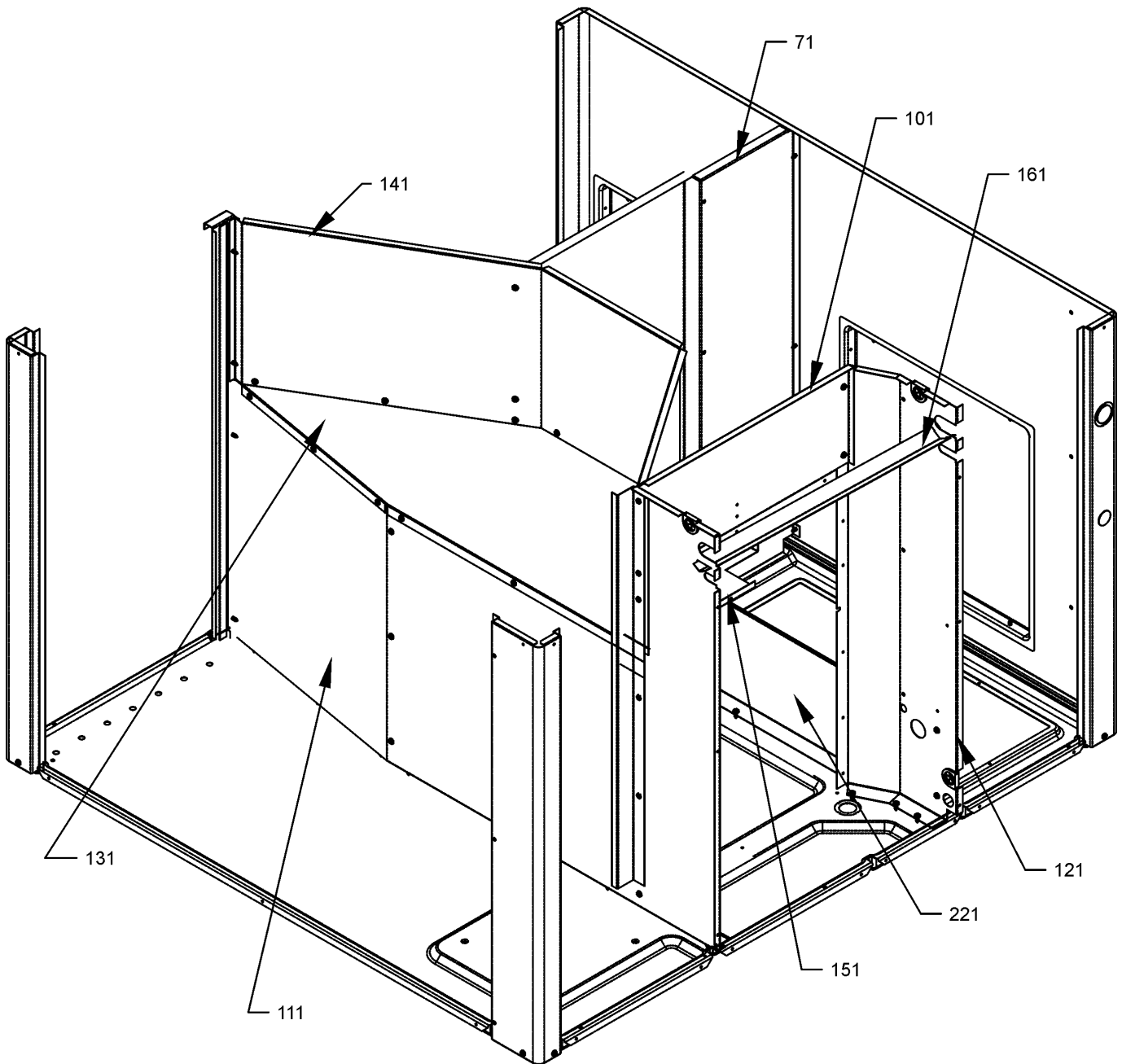
Image 1:

11	0150G00002S	FAN BLADE SWEPT-WING
21	0131M00061S	MOTOR, 1/4HP, 1SP, 8PL
31	0152G00002S	GRILLE-FAN
41	20466001PDGS	TOP PANEL
51	B1393500	SCREW,#10X1/2,"A"BLKCK (QTY 6)
61	0163M00006P	ACORN NUT 5/16 HEX BLACK (QTY 4)
71	0260G00025PS	INSULATED ASSY, BLOWER PANEL 32.5"
81	20464802PDGS	DOOR-EVAP/CONTROL 32 W/PAINT
91	0121G00179DGS	HEAT EXCHANGER DOOR 32"
101	20464804PDGS	DOOR-COMPRESSOR 32 W/PAINT
111	20467701PLGS	LOUVERED PANEL, COND SIDE 32"
121	20466101PDGS	UTILITY PANEL 32"
131	0121G00239DGS	PNL, DUCT, GAS 32.5"
141	0121G00208	SUPPORT POST 32"
161	20464401PLGS	PANEL-COND LOUVERED 32 W/PAINT
251	20464201PDGS	CORNER POST-COMP END 32"
261	20464301PDGS	CORNER POST-HAIRPIN END 32"
271	0121G00323	FLUE HOOD (QTY 2)
281	0121G00190S	FLUE HOOD-LOWER
291	20472601	SCREEN-FLUE HOOD
301	B1910012	GAS LINE GROMMET
NS	0270G00070S	FLUE HOOD ASSY
NS	1778800083F	PVC CONDUIT 8.25"

Expanded Model Nomenclature

M1 - APG1336045M41CA
M2 - APG1336070M41CA
M3 - APG1336090M41CA

Partition Panels



Partition Panels

Ref. Part No: No:	Description:	Ref. Part No: No:	Description:
------------------------------	---------------------	------------------------------	---------------------

Image 1:

71	20465304	BLOWER DIVIDER 32" 10 X 9
101	20465201	FILLER PANEL, HEAT EXCHANGER 32"
111	0121G00360	PNL, PTN, 32.5"
121	20465501	EVAP/HEAT EXCHANGER DIVIDER 32"
131	20465701	FAN PARTITION SHELF
141	20465801	FAN SURROUND 32"
151	20472501	SHIELD, HEAT EXCHANGER TUBES
161	20496801	DRAIN CHANNEL, SUCTION TUBE
221	20463802	EVAP/BASEPAN BLOCK 32"

Expanded Model Nomenclature

M1 - APG1336045M41CA
M2 - APG1336070M41CA
M3 - APG1336090M41CA

Basepan/Blower Assembly

Image 1

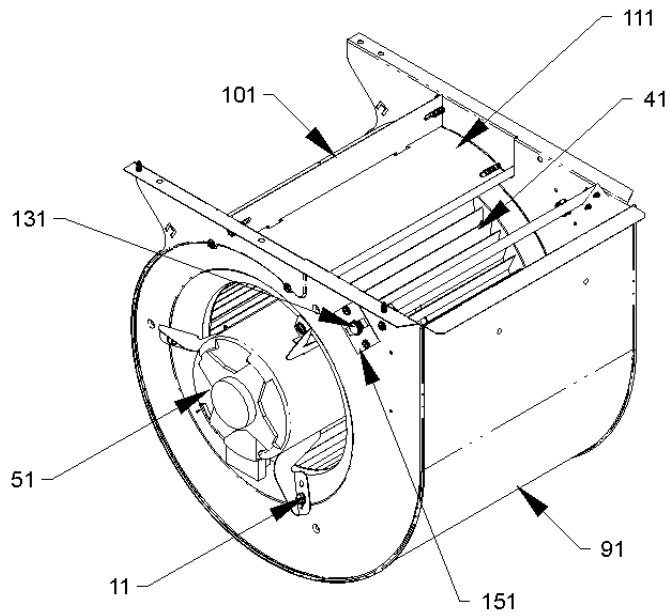
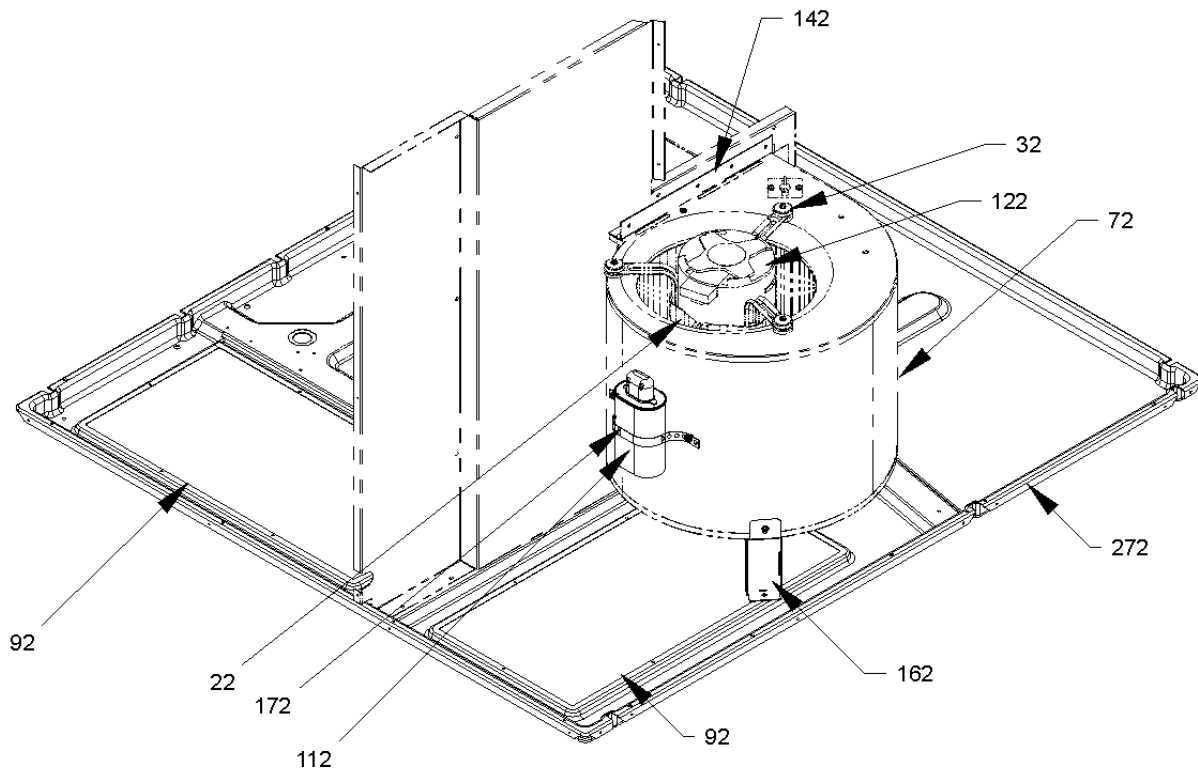


Image 2



Basepan/Blower Assembly

Ref. Part No: No:	Description:	Ref. Part No: No:	Description:
-------------------	--------------	-------------------	--------------

Image 1:

11	M0250558	TC SCREW (QTY 3)
41	D6723303S	BLOWER WHEEL
51	11091203S	BLOWER MOTOR 1/3 HP, 3 SP, 6 PL
91	0271G00024S	BLOWER HOUSING ASSY 10 X 9
101	764742	BLOWER BLOCK-OFF
131	20269903	AUXILIARY LIMIT, AUTO RESET
151	2509503F	AUXILIARY LIMIT BRACKET

Image 2:

92	0121G00148	SINGLE COVER, DOWN DISCHARGE (QTY 2)
112	CAP100000370VAS	CAPACITOR 10/370V [BLOWER]
172	20520901	CAPACITOR STRAP
272	0121G00444	BASEPAN, PACKAGE
NS	B821700	CAPACITOR BOOT

Expanded Model Nomenclature

M1 - APG1336045M41CA
M2 - APG1336070M41CA
M3 - APG1336090M41CA

Compressor/Tubing Assembly

Image 1

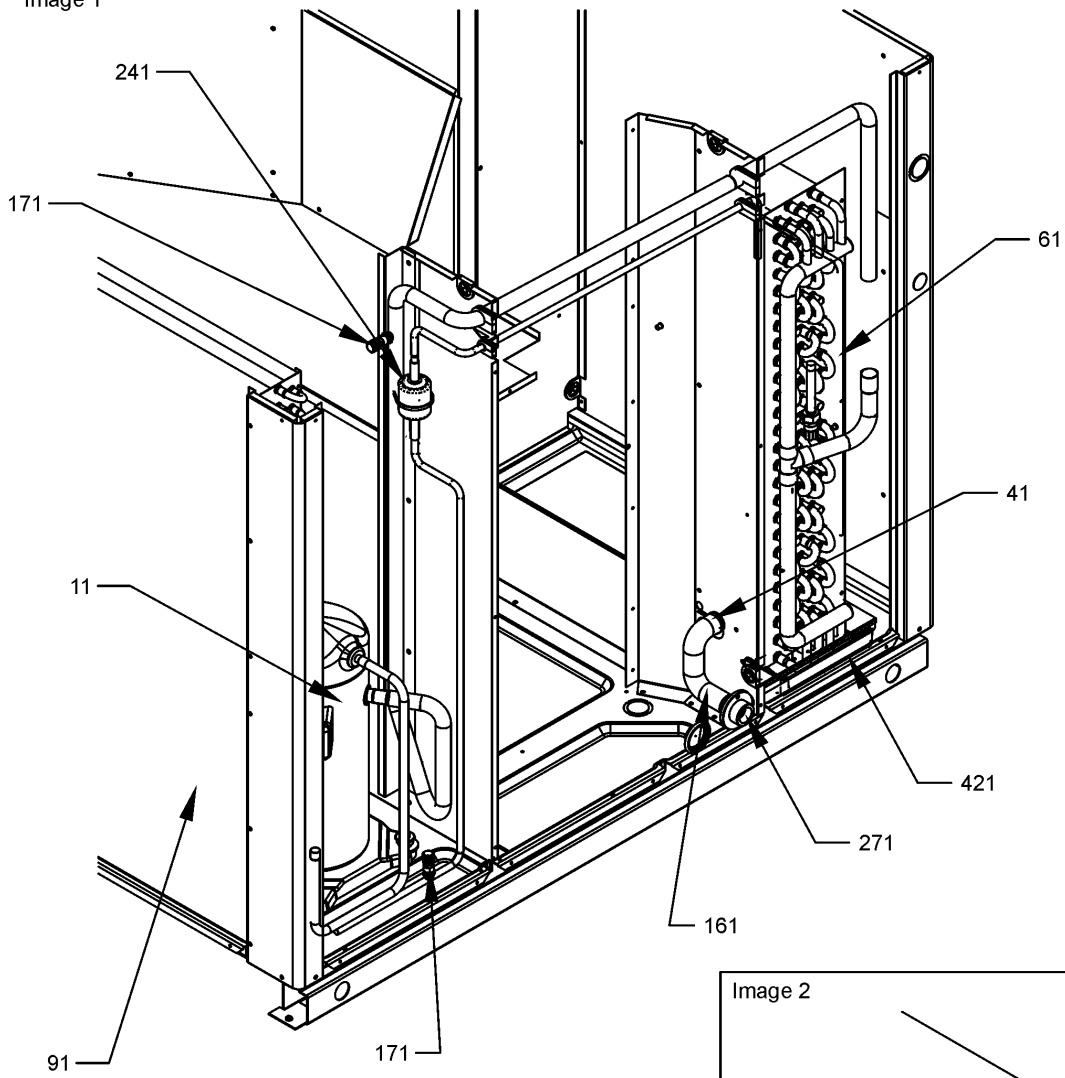
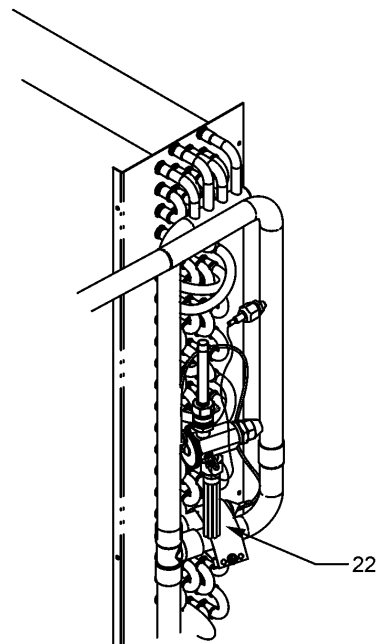


Image 2



Compressor/Tubing Assembly

Ref. Part No: No:	Description:	Ref. Part No: No:	Description:
-------------------	--------------	-------------------	--------------

Image 1:

11	ZP31K5EPFV830	COMPRESSOR 31100, 208/230/60/1
41	B1810011	HOSE CLAMP 1.25 (QTY 2)
61	0202G00290S	EVAP COIL ASSY
91	0201G00272	COND COIL ASSY
161	20498302	DRAIN TUBE 32"
171	B9102097	CAP W/O-RING (QTY 2)
241	B1219225	SINGLE-FLOW FILTER DRIER, STEEL
271	20513001	EVAP DRAIN FITTING
421	20464901DF	DRAIN PAN-EVAP COIL
NS	B1339533	COMPRESSOR GROMMET (QTY 4)
NS	0159G00002	COMPRESSOR SCROLL HARNESS
NS	0130M00018S	CUT-OUT SWITCH, HIGH PRESSURE
NS	0121G00324	EVAP DRIP SHIELD
NS	M0221641	TF SHOULDER SCREW (QTY 4)

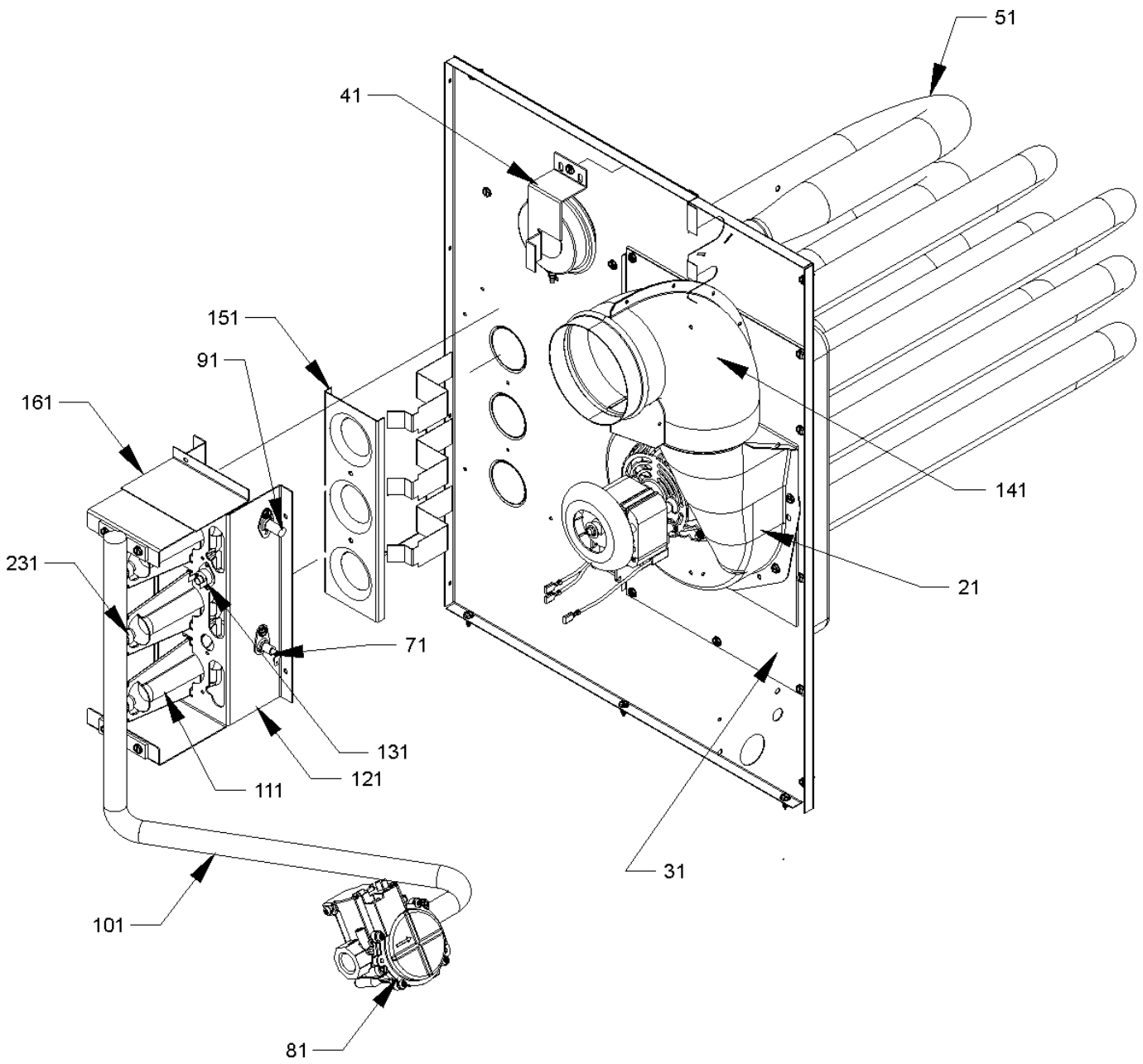
Image 2:

22	0162M00118	FLOWRATOR .072
----	------------	----------------

Expanded Model Nomenclature

M1 - APG1336045M41CA
M2 - APG1336070M41CA
M3 - APG1336090M41CA

Heat Exchanger/Manifold/Gas Valve



Heat Exchanger/Manifold/Gas Valve

Ref. Part No: No:	Description:	Ref. Part No: No:	Description:
-------------------	--------------	-------------------	--------------

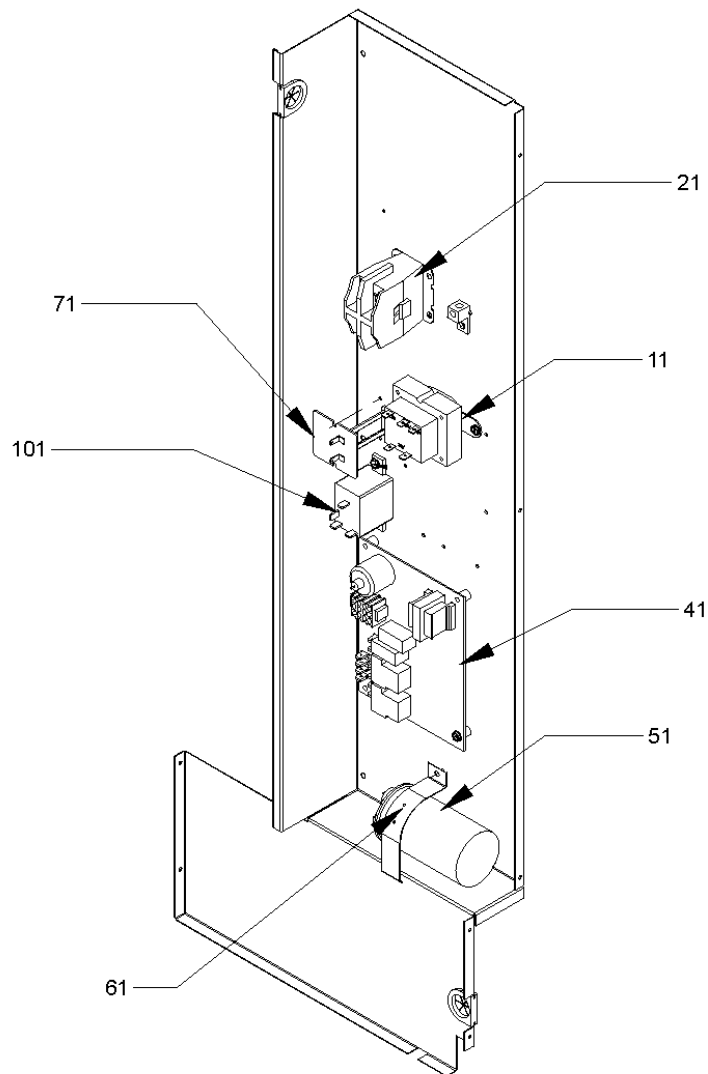
Image 1:

21	0131G00007S	MOTOR, ID BLOWER
31	0121G00427	PLATE-ID BLWR SML 2 BRNR (M1)
31	0121G00428	PLATE-ID BLWR SML 3 BRNR (M2)
31	0121G00429	PLATE-ID BLWR SML 4 BRNR (M3)
41	11112501S	PRESSURE SWITCH
51	0257G00058	HEAT EXCHANGER ASSY (M1)
51	0257G00059	HEAT EXCHANGER ASSY (M2)
51	0257G00060	HEAT EXCHANGER ASSY (M3)
71	0130F00014S	IGNITOR
81	0151M00013	VALVE, GAS (HW) SINGLE STAGE
91	0130F00010	FLAME SENSOR
101	0121M00035P	MANIFOLD - 2 BRNR (M1)
101	20493103	MANIFOLD - 3 BRNR (M2)
101	20493104	MANIFOLD - 4 BRNR (M3)
111	10735102S	BECKETT BURNER (QTY 2)
121	20190410	BURNER BRACKET 2B (M1)
121	20190411	BURNER BRACKET 3B (M2)
121	20190412	BURNER BRACKET 4B (M3)
131	10123532	MANUAL RESET LIMIT 350°F
141	20484401W	FLUE ELBOW LEFT
141	20484402W	FLUE ELBOW RIGHT
151	11072201	ORIFICE SHIELD (M1)
151	11072202	ORIFICE SHIELD (M2)
151	11072203	ORIFICE SHIELD (M3)
161	11190202	HEAT DEFLECTOR
231	10716003	ORIFICE (QTY A/R)
NS	0154G00003	GASKET, ID BLOWER & PLATE

Expanded Model Nomenclature

M1 - APG1336045M41CA
M2 - APG1336070M41CA
M3 - APG1336090M41CA

Control Panel



Control Panel

Ref. Part**No: No:****Description:****Ref. Part****No: No:****Description:***Image 1:*

11	B1141643	TRANSFORMER 208/230, 24V
21	CONT2P025024VS	CONTACTOR 25 AMP, 2P, 24V
41	PCBAG123S	IGNITION BOARD, DSI INTEGRATED
51	CAP050450440RTS	CAPACITOR 5/45/440V
61	20520901	CAPACITOR STRAP
71	10728343	LIMIT SWITCH
NS	0259G00091	ASSY, FEMALE PLUG
NS	0259G00009	BLOWER HARNESS
NS	0259G00086	HARNESS-CONTROL
NS	0259G00093	PLUG ASSY, 12 PIN MALE

Expanded Model Nomenclature

M1 - APG1336045M41CA
M2 - APG1336070M41CA
M3 - APG1336090M41CA