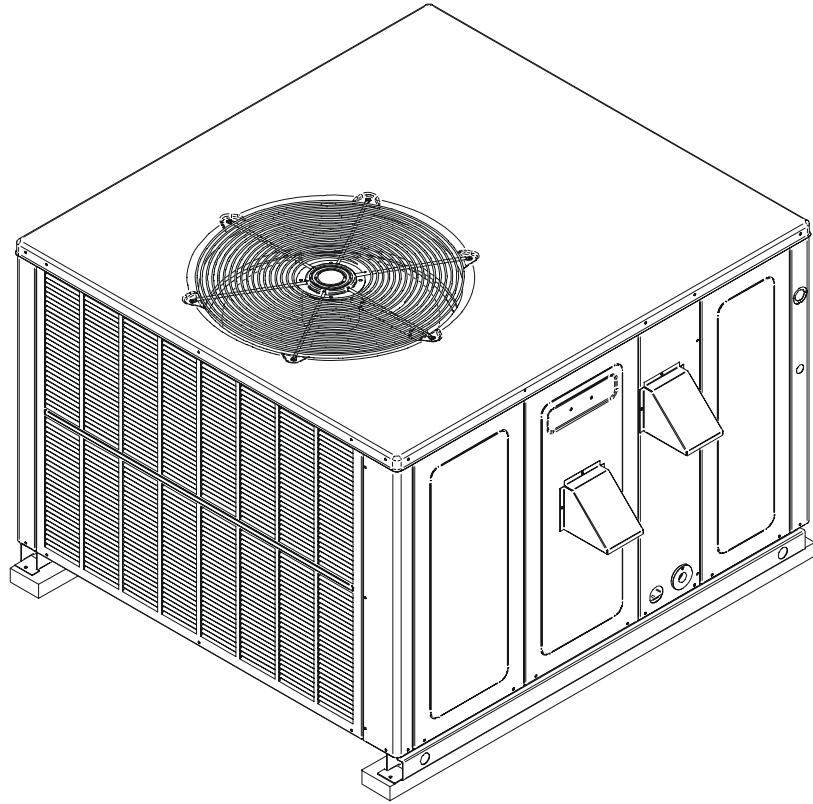


APG13 Package Gas Units

APG1324045M41AA
APG1324070M41AA
APG1330045M41AA
APG1330070M41AA
APG1336045M41AA
APG1336070M41AA
APG1336090M41AA
APG1342070M41AA
APG1342090M41AA
APG1348070M41AA
APG1348090M41AA
APG1348115M41AA
APG1360090M41AA
APG1360115M41AA
APG1360140M41AA



Amana is a registered trademark of Maytag Corporation or its related companies and is used under license to Goodman Company, L.P., Houston, TX. All rights reserved.

This manual is to be used by qualified technicians only.

© 2009 Goodman Company, L.P. ♦ 5151 San Felipe, Suite 500 ♦ Houston, TX 77056

Important Information

Index

Functional Parts List	3
Illustration and Parts	4 - 15

Views shown are for parts illustrations only, not servicing procedures.

This system uses R410A refrigerant. If sealed system work is required, use approved equipment and follow service procedures. Refer to Service Manual or Installation Instructions for service procedures.

Text Codes:

AR - As Required

NA - Not Available

NS - Not Shown

00000000 - See Note

QTY - Quantity Example (QTY 3) (If Quantity not shown, Quantity = 1)

M - Model Example (M1) (If M Code not shown, then part is used on all Models)

Expanded Model Nomenclature:

Example M1 - Model#1 M2 - Model#2 M3 - Model#3

Goodman Company, L.P. is not responsible for personal injury or property damage resulting from improper service. Review all service information before beginning repairs.

Warranty service must be performed by an authorized technician, using authorized factory parts. If service is required after the warranty expires, Goodman Company, L.P. also recommends contacting an authorized technician and using authorized factory parts.

Goodman Company, L.P. reserves the right to discontinue, or change at any time, specifications or designs without notice or without incurring obligations.

For assistance within the U.S.A. contact:

Consumer Affairs Department
Goodman Company, L.P.
7401 Security Way
Houston, Texas 77040
877-254-4729-Telephone
713-863-2382-Facsimile

For assistance outside the U.S.A. contact:

International Division
Goodman Company, L.P.
7401 Security Way
Houston, Texas 77040
713-861-2500-Telephone
713-863-2382-Facsimile

Functional Parts

Part

No: Description:

Part No:	Description:	Part No:	Description:
0130M00025S	24V RELAY (M10, M11, M12, M13, M14, M15)	10716003	ORIFICE (QTY 2)
20269903	AUXILIARY LIMIT, AUTO RESET (M3, M4, M5, M6, M7, M8, M9, M10, M11, M12, M13, M14, M15)	11112501S	PRESSURE SWITCH (M1, M2, M3, M4, M5, M6)
11091202S	BLOWER MOTOR 1/3 HP, 3 SP, 6 PL (M3, M4)	B1141643	TRANSFORMER 208/230, 24V
11091203S	BLOWER MOTOR 1/3 HP, 3 SP, 6 PL (M5, M6, M7, M8, M9)		
11091207S	BLOWER MOTOR 1/4 HP, 3 SP, 8 PL (M1, M2)		
0231K00039	BLOWER MOTOR 3/4 HP PROGRAMMED X13 (M10, M11, M12)		
CAP100000370VAS	CAPACITOR 10/370V [BLOWER] (M1, M2)		
CAP050350440RSS	CAPACITOR 5/35/440V [CONTROL BOX] (M1, M2, M3, M4)		
CAP050450440RTS	CAPACITOR 5/45/440V [CONTROL BOX] (M5, M6, M7, M8, M9, M10, M11, M12)		
CAP050700440RTS	CAPACITOR 5/70/440V [CONTROL BOX] (M13, M14, M15)		
ZP31K5EPFV830	COMPRESSOR 31100, 208/230/60/1 (M5, M6, M7)		
ZP34K5EPFV830	COMPRESSOR 34500, 208/230/60/1 (M8, M9)		
ZP39K5EPFV830	COMPRESSOR 39000, 208/230/60/1 (M10, M11, M12)		
ZP51K5EPFV830	COMPRESSOR 51000, 208/230/60/1 (M13, M14, M15)		
760001-2001-10	COMPRESSOR, BRISTOL (M1, M2)		
760005-2001-10	COMPRESSOR, BRISTOL (M3, M4)		
0131M00007PS	COND MOTOR 1/4 HP, 1 SP, 6 PL (M3, M4, M8, M9, M10, M11, M12, M13, M14, M15)		
0131M00061S	COND MOTOR, 1/4HP, 1SP, 8PL (M1, M2, M5, M6, M7)		
CONT2P025024VS	CONTACTOR 25 AMP, 2P, 24V (M1, M2, M3, M4, M5, M6, M7)		
CONT2P030024VS	CONTACTOR 30 AMP, 2P, 24V (M8, M9, M10, M11, M12, M13, M14, M15)		
0130M00018S	CUT-OUT SWITCH, HIGH PRESSURE (M8, M9, M10, M11, M12, M13, M14, M15)		
0130F00010	FLAME SENSOR		
B1282628	GAS VALVE (36G)		
0131G00000PS	ID BLOWER (M7, M8, M9, M10, M11, M12, M13, M14, M15)		
PCBAG123S	IGNITION BOARD, DSI INTEGRATED		
0130F00014S	IGNITOR		
10728342	LIMIT SWITCH (M1, M2, M3, M4)		
10728343	LIMIT SWITCH (M5, M6, M7, M15)		
10728344	LIMIT SWITCH (M8, M9, M10, M11, M12, M13, M14)		
10123529	MANUAL RESET LIMIT		
0231K00040	MOTOR-1 HP PROGRAMMED X13 (M13, M14, M15)		
0231K00041	MOTOR-3/4 HP PROGRAMMED X13 (M10, M11, M12)		

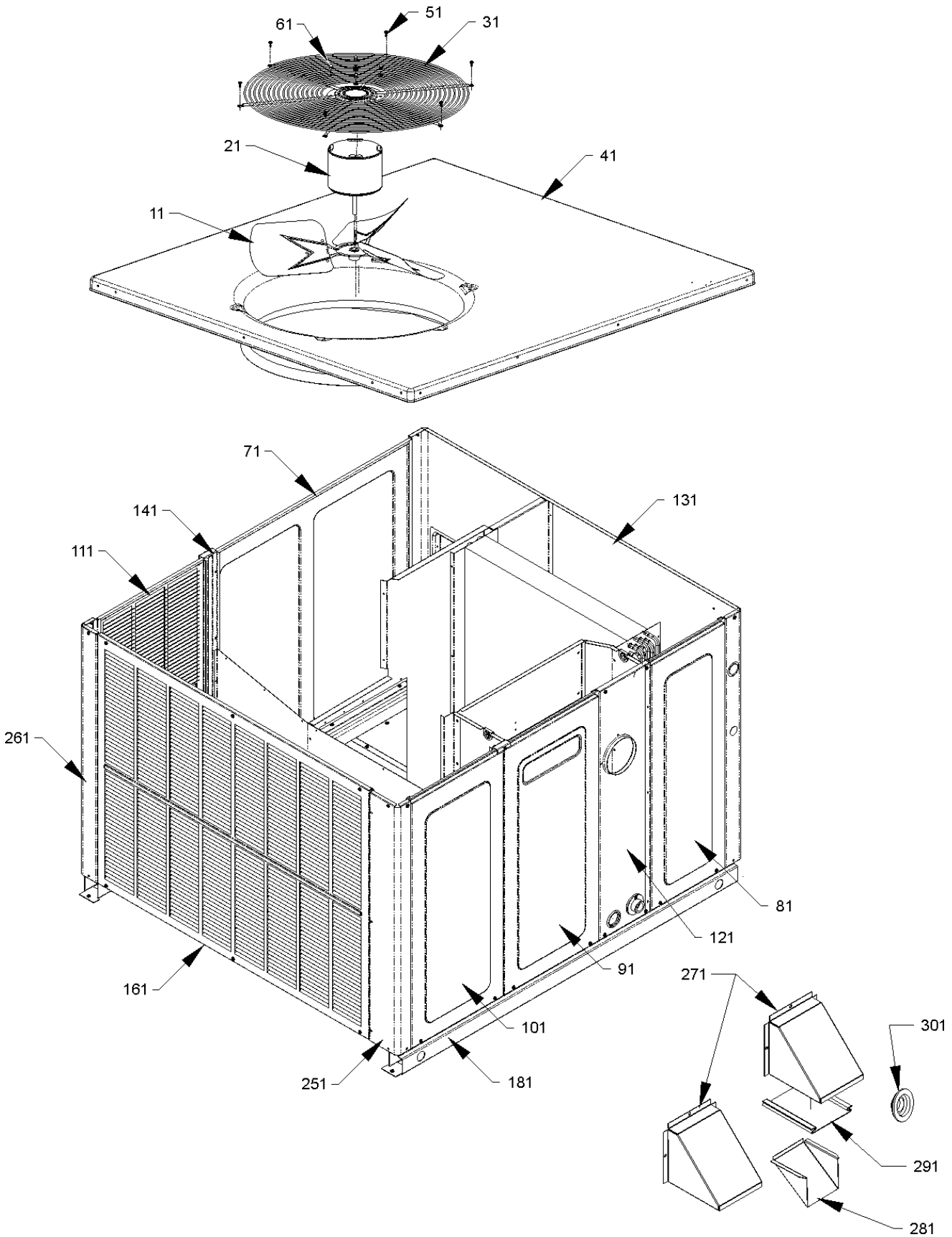
SPECIAL PARTS

IO-357	I&O
IO-653C	INSTALLATION INSTRUCTION
IO-604	SPECIAL INSTR., 36G VALVE
HI-116	USERS MANUAL

Expanded Model Nomenclature

M1 - APG1324045M41AA
M2 - APG1324070M41AA
M3 - APG1330045M41AA
M4 - APG1330070M41AA
M5 - APG1336045M41AA
M6 - APG1336070M41AA
M7 - APG1336090M41AA
M8 - APG1342070M41AA
M9 - APG1342090M41AA
M10 - APG1348070M41AA
M11 - APG1348090M41AA
M12 - APG1348115M41AA
M13 - APG1360090M41AA
M14 - APG1360115M41AA
M15 - APG1360140M41AA

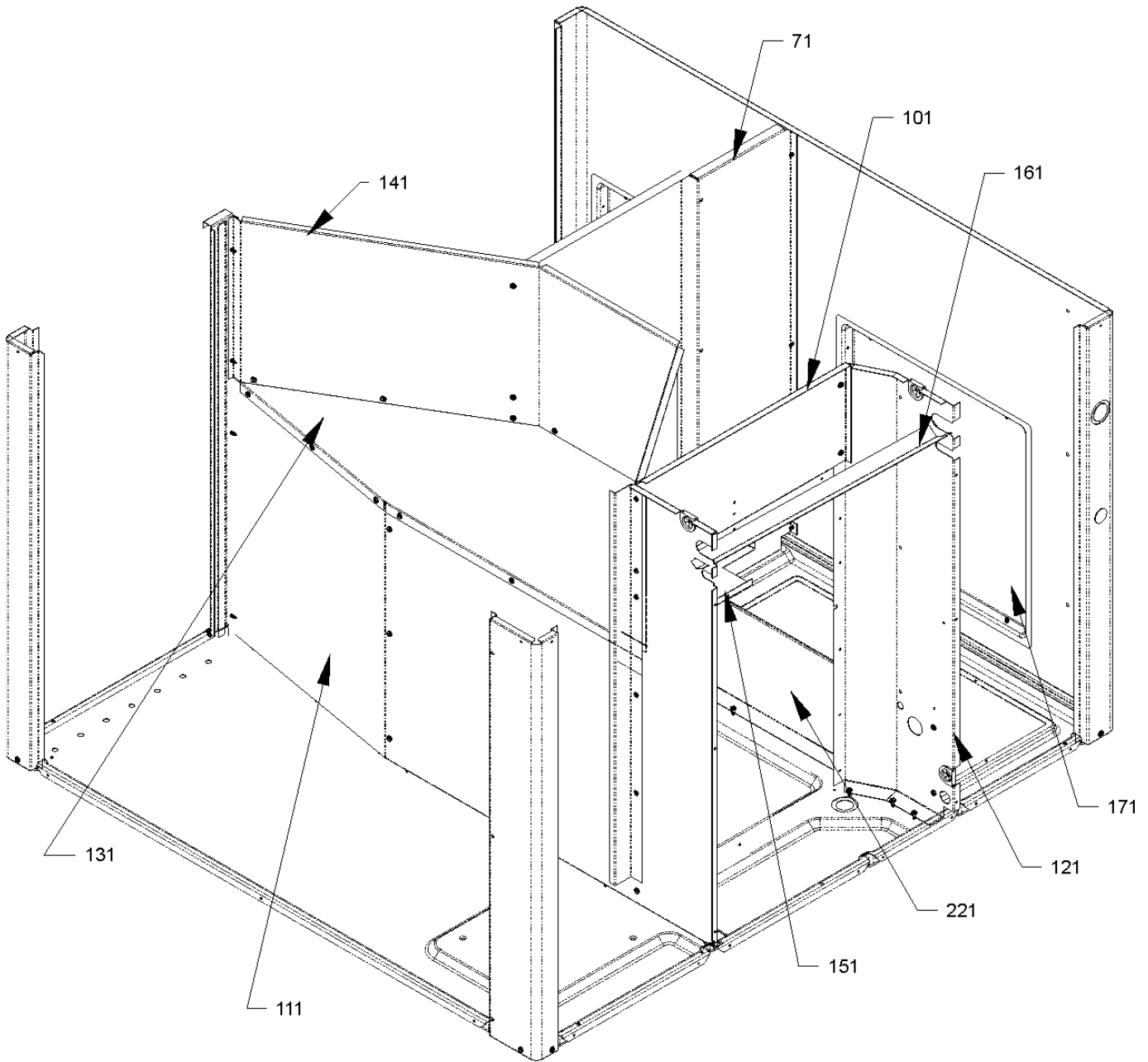
Top Panel/Fan/Cabinet



Top Panel/Fan/Cabinet

Ref. Part No:	No:	Description:	Ref. Part No:	No:	Description:															
<i>Image 1:</i>			<i>Image 1:</i>																	
11	0150G00003S	BLADE, FAN 26 SWEPT WING (M8, M9, M10, M11, M12, M13, M14, M15)	271	0121G00323	FLUE HOOD (QTY 2)															
11	0150M00016S	FAN BLADE (M1, M2)	281	0121G00190S	FLUE HOOD-LOWER															
11	B1086775S	FAN BLADE (M3, M4)	291	20472601	SCREEN-FLUE HOOD															
11	0150G00002S	FAN BLADE-SWEPT WING (M5, M6, M7)	301	B1910012	GAS LINE GROMMET															
21	0131M00007PS	COND MOTOR 1/4 HP, 1 SP, 6 PL (M3, M4, M8, M9, M10, M11, M12, M13, M14, M15)	NS	0270G00131	FLUE HOOD ASSY															
21	0131M00061S	COND MOTOR, 1/4HP, 1SP, 8PL (M1, M2, M5, M6, M7)	NS	17788000083F	PVC CONDUIT 8.25"															
31	0152G00002S	FAN GRILLE	Expanded Model Nomenclature																	
41	20466001PDGS	TOP PANEL	<table border="1"> <tr><td>M1 - APG1324045M41AA</td></tr> <tr><td>M2 - APG1324070M41AA</td></tr> <tr><td>M3 - APG1330045M41AA</td></tr> <tr><td>M4 - APG1330070M41AA</td></tr> <tr><td>M5 - APG1336045M41AA</td></tr> <tr><td>M6 - APG1336070M41AA</td></tr> <tr><td>M7 - APG1336090M41AA</td></tr> <tr><td>M8 - APG1342070M41AA</td></tr> <tr><td>M9 - APG1342090M41AA</td></tr> <tr><td>M10 - APG1348070M41AA</td></tr> <tr><td>M11 - APG1348090M41AA</td></tr> <tr><td>M12 - APG1348115M41AA</td></tr> <tr><td>M13 - APG1360090M41AA</td></tr> <tr><td>M14 - APG1360115M41AA</td></tr> <tr><td>M15 - APG1360140M41AA</td></tr> </table>			M1 - APG1324045M41AA	M2 - APG1324070M41AA	M3 - APG1330045M41AA	M4 - APG1330070M41AA	M5 - APG1336045M41AA	M6 - APG1336070M41AA	M7 - APG1336090M41AA	M8 - APG1342070M41AA	M9 - APG1342090M41AA	M10 - APG1348070M41AA	M11 - APG1348090M41AA	M12 - APG1348115M41AA	M13 - APG1360090M41AA	M14 - APG1360115M41AA	M15 - APG1360140M41AA
M1 - APG1324045M41AA																				
M2 - APG1324070M41AA																				
M3 - APG1330045M41AA																				
M4 - APG1330070M41AA																				
M5 - APG1336045M41AA																				
M6 - APG1336070M41AA																				
M7 - APG1336090M41AA																				
M8 - APG1342070M41AA																				
M9 - APG1342090M41AA																				
M10 - APG1348070M41AA																				
M11 - APG1348090M41AA																				
M12 - APG1348115M41AA																				
M13 - APG1360090M41AA																				
M14 - APG1360115M41AA																				
M15 - APG1360140M41AA																				
51	0163M00003P	SCREW,HWH,10X1/2,SD,BZ,UNSL0TD (M1, M2)																		
61	0163M00006P	ACORN NUT 5/16 HEX BLACK (QTY 4)																		
71	0260G00025PS	INSULATED ASSY, BLOWER PANEL 32.5" (M1, M2, M3, M4, M5, M6, M7)																		
71	0260G00026PS	INSULATED ASSY, BLOWER PANEL 40" (M8, M9, M10, M11, M12, M13, M14, M15)																		
81	20464802PDGS	DOOR-EVAP/CONTROL 32 W/PAINT (M1, M2, M3, M4, M5, M6, M7)																		
81	20464807PDGS	EVAP/CONTROL DOOR 40" (M8, M9, M10, M11, M12, M13, M14, M15)																		
91	0121G00179DGS	HEAT EXCHANGER DOOR 32" (M1, M2, M3, M4, M5, M6, M7)																		
91	0121G00181DGS	HEAT EXCHANGER DOOR 40" (M8, M9, M10, M11, M12, M13, M14, M15)																		
101	20464809PDG	COMPRESSOR DOOR 40" (M8, M9, M10, M11, M12, M13, M14, M15)																		
101	20464804PDGS	DOOR-COMPRESSOR 32 W/PAINT (M1, M2, M3, M4, M5, M6, M7)																		
111	20467701PLG	LOUVERED PANEL, COND SIDE 32" (M1, M2, M3, M4, M5, M6, M7)																		
111	20467702PLGS	LOUVERED PANEL, COND SIDE 40" (M8, M9, M10, M11, M12, M13, M14, M15)																		
121	20466101PDGS	UTILITY PANEL 32" (M1, M2, M3, M4, M5, M6, M7)																		
121	20466102PDGS	UTILITY PANEL 40" (M8, M9, M10, M11, M12, M13, M14, M15)																		
131	0121G00239DGS	DUCT PANEL 32.5" (M1, M2, M3, M4)																		
131	0121G00240DGS	DUCT PANEL 40" (M8, M9, M10, M11, M12, M13, M14, M15)																		
141	0121G00208	SUPPORT POST 32" (M5, M6, M7)																		
141	0121G00209	SUPPORT POST 40" (M8, M9, M10, M11, M12, M13, M14, M15)																		
161	20464401PLG	LOUVERED PANEL, COND SIDE 32" (M1, M2, M3, M4, M5, M6, M7)																		
161	20464402PLG	LOUVERED PANEL, COND SIDE 40" (M8, M9, M10, M11, M12, M13, M14, M15)																		
251	20464201PDGS	CORNER POST-COMP END 32" (M1, M2, M3, M4)																		
251	20464202PDGS	CORNER POST-COMP END 40" (M8, M9, M10, M11, M12, M13, M14, M15)																		
261	20464301PDGS	CORNER POST-HAIRPIN END 32" (M1, M2, M3, M4)																		
261	20464302PDGS	CORNER POST-HAIRPIN END 40" (M8, M9, M10, M11, M12, M13, M14, M15)																		

Partition Panels



Partition Panels

Ref. Part No:	No:	Description:	Ref. Part No:	No:	Description:
<i>Image 1:</i>					
71	20465304	BLOWER DIVIDER (M5, M6, M7)			
71	20465305	BLOWER DIVIDER (M1, M2, M3, M4)			
71	20465306	BLOWER DIVIDER (M8, M9)			
71	0121G00177	BLOWER DIVIDER 38" (M10, M11, M12, M13, M14, M15)			
101	20465201	FILLER PANEL, HEAT EXCHANGER 32" (M1, M2, M3, M4)			
111	0121G00198	PARTITION PANEL 32.5" (M5, M6, M7)			
111	0121G00199	PARTITION PANEL 40" (M8, M9, M10, M11, M12, M13, M14, M15)			
121	20465501	EVAP/HEAT EXCHANGER DIVIDER 32" (M5, M6, M7)			
121	20465502	EVAP/HEAT EXCHANGER DIVIDER 38" (M8, M9, M10, M11, M12, M13, M14, M15)			
131	20465701	FAN PARTITION SHELF (M5, M6, M7, M8, M9, M10, M11, M12, M13, M14, M15)			
141	20465801	FAN SURROUND 32" (M5, M6, M7)			
161	20496801	DRAIN CHANNEL, SUCTION TUBE (M5, M6, M7, M8, M9, M10, M11, M12, M13, M14, M15)			
221	20463801	EVAP/BASEPAN BLOCK 40" (M8, M9, M10, M11, M12, M13, M14, M15)			

Expanded Model Nomenclature

M1 - APG1324045M41AA
M2 - APG1324070M41AA
M3 - APG1330045M41AA
M4 - APG1330070M41AA
M5 - APG1336045M41AA
M6 - APG1336070M41AA
M7 - APG1336090M41AA
M8 - APG1342070M41AA
M9 - APG1342090M41AA
M10 - APG1348070M41AA
M11 - APG1348090M41AA
M12 - APG1348115M41AA
M13 - APG1360090M41AA
M14 - APG1360115M41AA
M15 - APG1360140M41AA

Basepan/Blower Assembly

Image 1

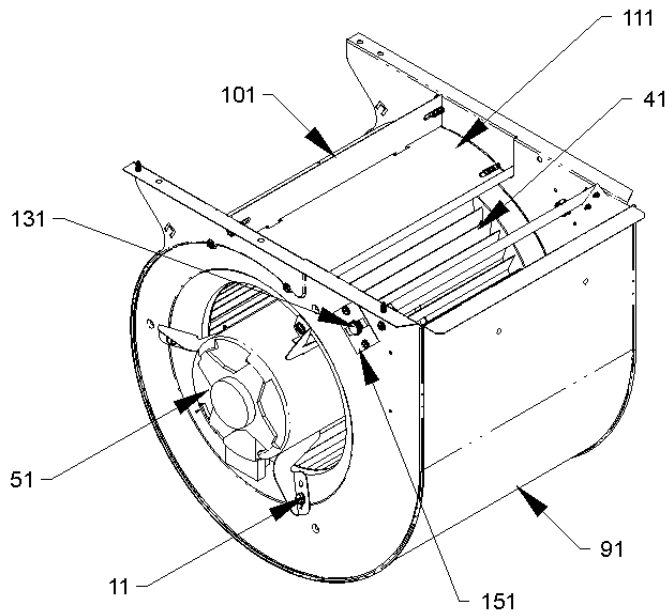
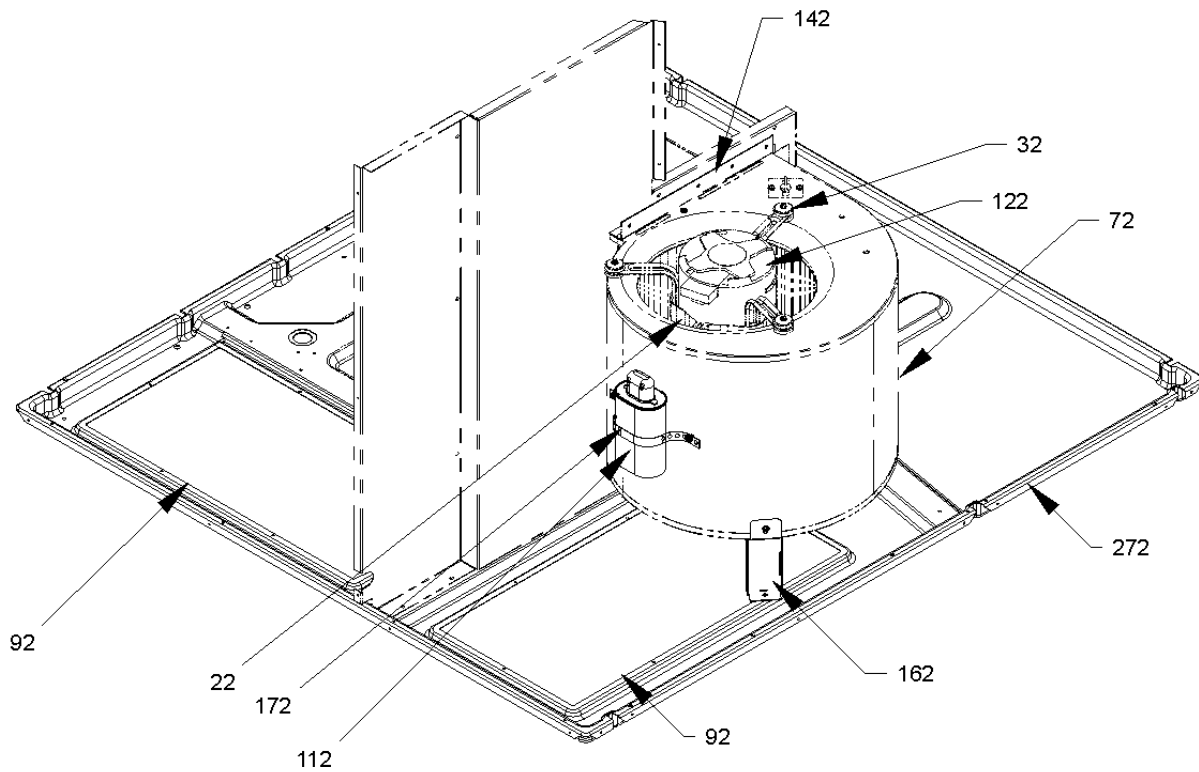


Image 2



Basepan/Blower Assembly

**Ref. Part
No: No:**

Description:

**Ref. Part
No: No:**

Description:

Image 1:

11	M0250558	TC SCREW (M3, M4, M5, M6, M7, M8, M9)
41	D6723303S	BLOWER WHEEL (M5, M6, M7)
41	D6723306S	BLOWER WHEEL (M8, M9)
41	B1368016S	BLOWER WHEEL 10 X 8 (M3, M4)
41	B1368058S	BLOWER WHEEL 10 X 8 (M1, M2)
41	B1368000S	BLOWER WHEEL 11 X 10 (M10, M11, M12, M13, M14, M15)
51	11091202S	BLOWER MOTOR 1/3 HP, 3 SP, 6 PL (M3, M4)
51	11091203S	BLOWER MOTOR 1/3 HP, 3 SP, 6 PL (M5, M6, M7, M8, M9)
51	11091207S	BLOWER MOTOR 1/4 HP, 3 SP, 8 PL (M1, M2)
51	0231K00039	BLOWER MOTOR 3/4 HP PROGRAMMED X13 (M10, M11, M12)
51	0231K00040	MOTOR-1 HP PROGRAMMED X13 (M13, M14, M15)
51	0231K00041	MOTOR-3/4 HP PROGRAMMED X13 (M10, M11, M12)
61	20269903	AUXILIARY LIMIT, AUTO RESET (M3, M4, M5, M6, M7, M8, M9, M10, M11, M12, M13, M14, M15)
91	0271F00057	BLOWER HOUSING ASSY 10 X 10 (M8, M9)
91	0271F00001PS	BLOWER HOUSING ASSY 10 X 8 (M1, M2)
91	0271G00025	BLOWER HOUSING ASSY 10 X 8 (M3, M4)
91	0271G00024S	BLOWER HOUSING ASSY 10 X 9 (M5, M6, M7)
101	764742	BLOWER BLOCK-OFF (M5, M6, M7)
101	764741F	BLOWER BLOCK-OFF 10 X 10 (M8, M9)
101	764740F	BLOWER BLOCK-OFF 10 X 8 (M1, M2, M3, M4)
101	1864703F	BLOWER CUT-OFF (M10, M11, M12, M13, M14, M15)
151	2509503F	AUXILIARY LIMIT BRACKET (M1, M2)
NS	B821700	CAPACITOR BOOT (M3, M4, M5, M6, M7, M8, M9)
NS	B1392143	GROMMET, 26TAL F/TORSIN FLEX (M3, M4, M8, M9)

Expanded Model Nomenclature

M1 - APG1324045M41AA
M2 - APG1324070M41AA
M3 - APG1330045M41AA
M4 - APG1330070M41AA
M5 - APG1336045M41AA
M6 - APG1336070M41AA
M7 - APG1336090M41AA
M8 - APG1342070M41AA
M9 - APG1342090M41AA
M10 - APG1348070M41AA
M11 - APG1348090M41AA
M12 - APG1348115M41AA
M13 - APG1360090M41AA
M14 - APG1360115M41AA
M15 - APG1360140M41AA

Image 2:

21	CAP100000370VAS	CAPACITOR 10/370V [BLOWER] (M1, M2)
22	0121M00038	MOTOR MOUNT BAND (M10, M11, M12, M13, M14, M15)
32	B1376857	MOTOR MOUNT ARM (M10, M11, M12, M13, M14, M15)
72	2539309S	BLOWER HOUSING ASSY 11 X 10 (M10, M11, M12, M13, M14, M15)
92	0121G00148	SINGLE COVER, DOWN DISCHARGE (M1, M2, M3, M4, M5, M6, M7, M8, M9)
142	20463701	11 X 10 BLOWER MOUNTING (M10, M11, M12, M13, M14, M15)
162	4322801	11 X 10 BLOWER SUPPORT LRG (M10, M11, M12, M13, M14, M15)
172	20520901	STRAP-CAPACITOR (M1, M2)
272	0121G00289	BASE PAN (M1, M2, M3, M4, M5, M6, M7, M8, M9)
NS	B1393800	LOCKNUT, NYLON, INSERT 1/4, 20 (M10, M11, M12, M13, M14, M15)

Compressor/Tubing Assembly

Image 1

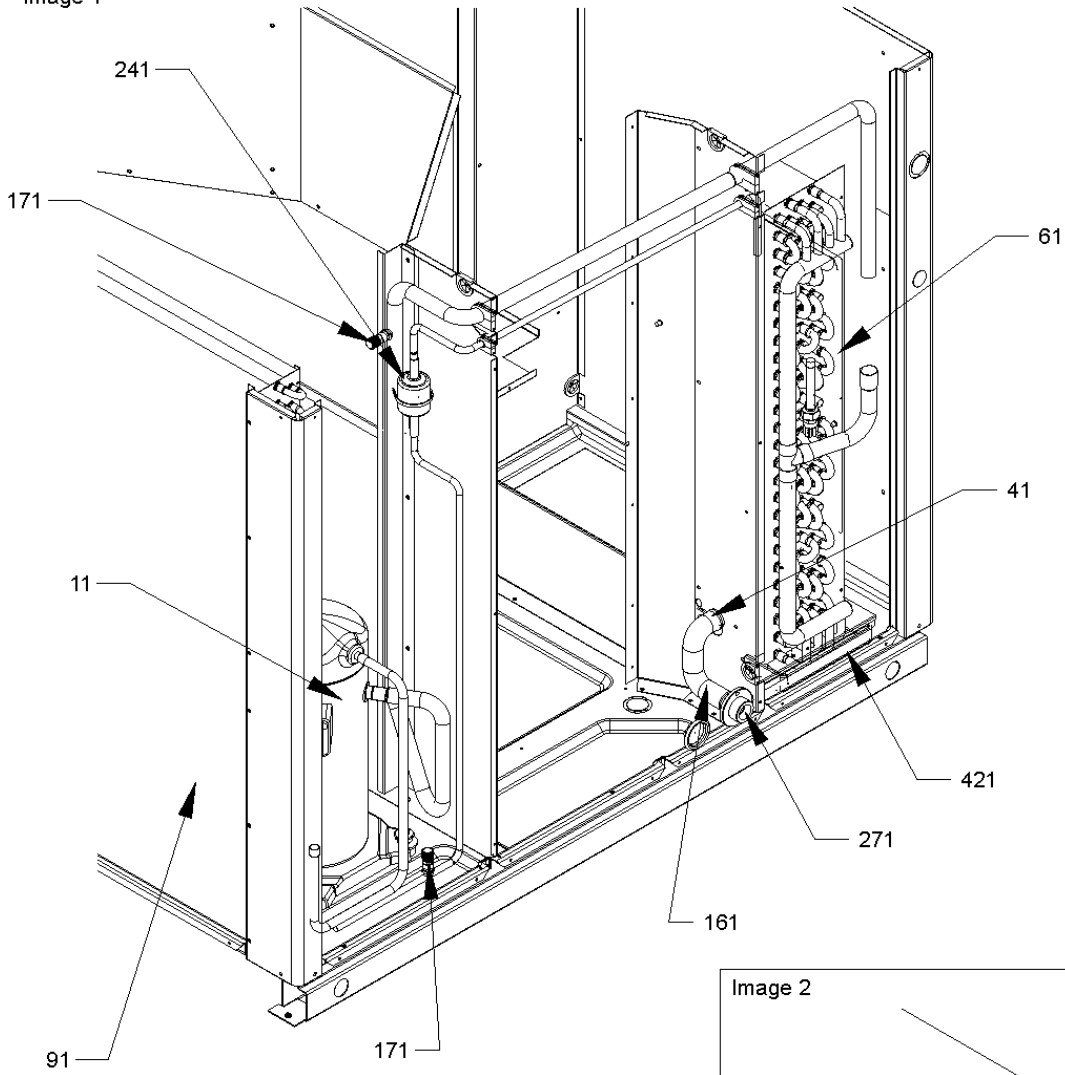
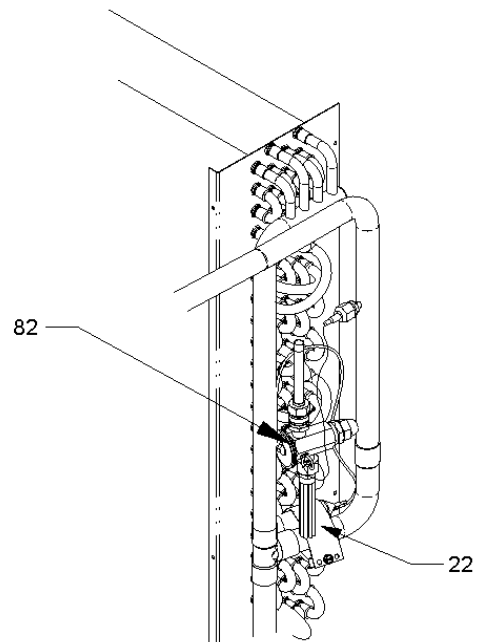


Image 2



Compressor/Tubing Assembly

Ref. Part No: No:	Description:	Ref. Part No: No:	Description:
-------------------	--------------	-------------------	--------------

Image 1:

11	ZP31K5EPFV830	COMPRESSOR 31100, 208/230/60/1 (M5, M6, M7)
11	ZP34K5EPFV830	COMPRESSOR 34500, 208/230/60/1 (M8, M9)
11	ZP39K5EPFV830	COMPRESSOR 39000, 208/230/60/1 (M10, M11, M12)
11	ZP51K5EPFV830	COMPRESSOR 51000, 208/230/60/1 (M13, M14, M15)
11	760001-2001-10	COMPRESSOR, BRISTOL (M1, M2)
11	760005-2001-10	COMPRESSOR, BRISTOL (M3, M4)
41	B1810011	HOSE CLAMP 1.25 (M1, M2, M3, M4, M5, M6, M7)
61	0202G00282S	EVAP COIL TUBING ASSY (M10, M11, M12)
61	0202G00283S	EVAP COIL TUBING ASSY (M1, M2)
61	0202G00288	EVAP COIL TUBING ASSY (M3, M4)
61	0202G00290	EVAP COIL TUBING ASSY (M5, M6, M7)
61	0202G00291S	EVAP COIL TUBING ASSY (M8, M9)
61	0202G00292	EVAP COIL TUBING ASSY (M13, M14, M15)
91	0201G00139	COND COIL TUBING ASSY (M8, M9)
91	0201G00142	COND COIL TUBING ASSY (M1, M2, M3, M4, M5, M6, M7)
91	0201G00143	COND COIL TUBING ASSY (M13, M14, M15)
91	0201G00144	COND COIL TUBING ASSY (M10, M11, M12)
171	B9102097	CAP W/O-RING (M3, M4, M5, M6, M7, M8, M9, M10, M11, M12, M13, M14, M15)
241	B1219212	SINGLE-FLOW FILTER DRIER, STEEL (M1, M2, M3, M4, M5, M6, M7)
241	B1219225	SINGLE-FLOW FILTER DRIER, STEEL (M8, M9, M10, M11, M12, M13, M14, M15)
271	20513001	EVAP DRAIN FITTING (M8, M9, M10, M11, M12, M13, M14, M15)
421	20464901	DRIP PAN, EVAP COIL (M5, M6, M7, M8, M9, M10, M11, M12, M13, M14, M15)
NS	B1373315	ACCESS FITTING (M1, M2)
NS	B1339530	COMPRESSOR GROMMET (M1, M2)
NS	B1339533	COMPRESSOR GROMMET (M5, M6, M7, M8, M9, M10, M11, M12, M13, M14, M15)
NS	0159G00002	COMPRESSOR SCROLL HARNESS (M5, M6, M7)
NS	0159G00006	COMPRESSOR SCROLL HARNESS (M8, M9, M10, M11, M12, M13, M14, M15)
NS	0130M00018S	CUT-OUT SWITCH, HIGH PRESSURE (M8, M9, M10, M11, M12, M13, M14, M15)
NS	0121G00324	EVAP DRIP SHIELD (M1, M2, M3, M4, M5, M6, M7)
NS	M0221641	TF SHOULDER SCREW (M3, M4, M5, M6, M7, M8, M9, M10, M11, M12, M13, M14, M15)

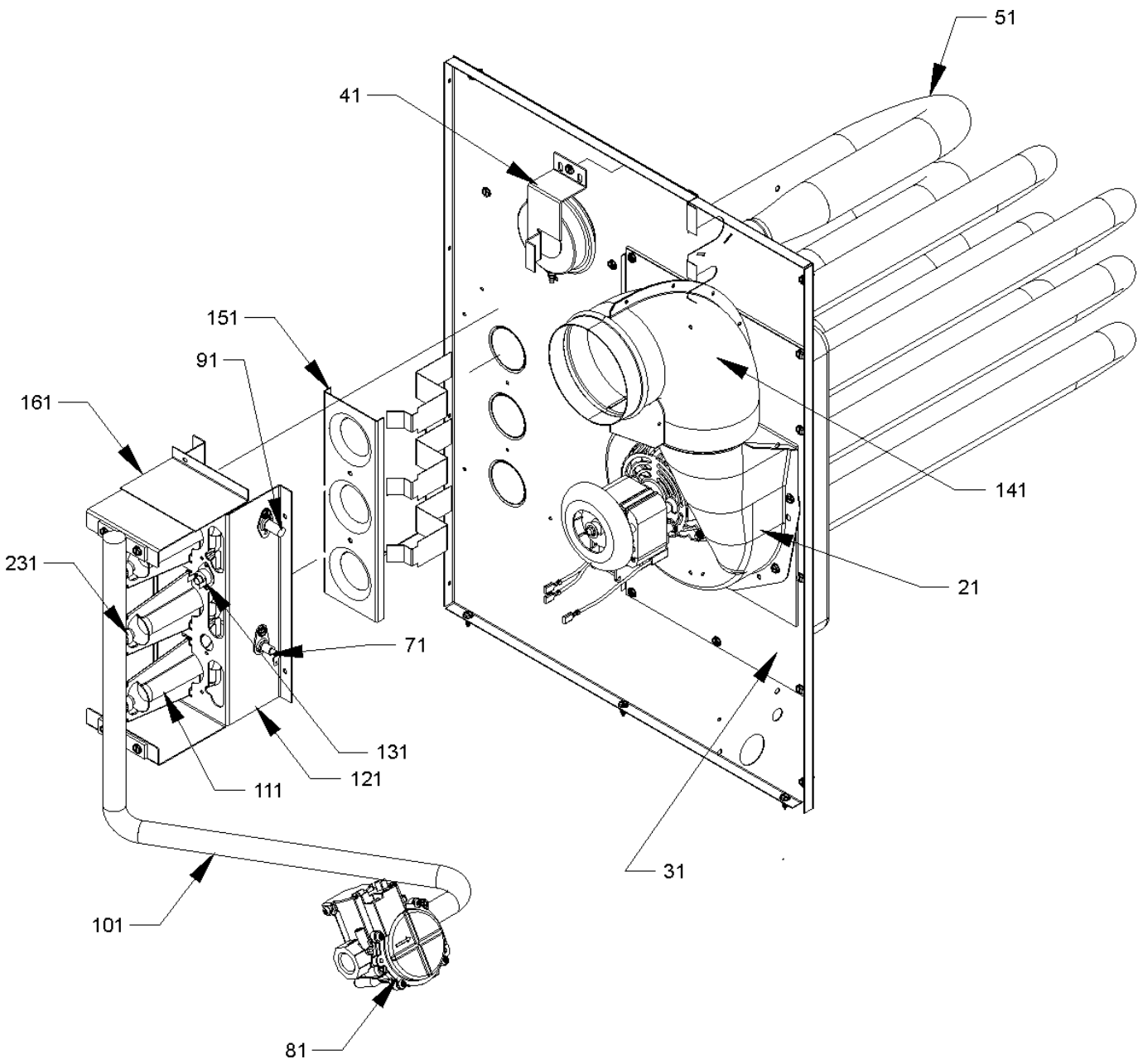
Expanded Model Nomenclature

M1 - APG1324045M41AA
M2 - APG1324070M41AA
M3 - APG1330045M41AA
M4 - APG1330070M41AA
M5 - APG1336045M41AA
M6 - APG1336070M41AA
M7 - APG1336090M41AA
M8 - APG1342070M41AA
M9 - APG1342090M41AA
M10 - APG1348070M41AA
M11 - APG1348090M41AA
M12 - APG1348115M41AA
M13 - APG1360090M41AA
M14 - APG1360115M41AA
M15 - APG1360140M41AA

Image 2:

22	0162M00116	FLOWRATOR .053 (M1, M2)
22	0162M00117	FLOWRATOR .070 (M5, M6, M7)
22	0162M00118	FLOWRATOR .072 (M8, M9)
22	0162M00119	FLOWRATOR .087 (M13, M14, M15)

Heat Exchanger/Manifold/Gas Valve



Heat Exchanger/Manifold/Gas Valve

**Ref. Part
No: No:**

Description:

**Ref. Part
No: No:**

Description:

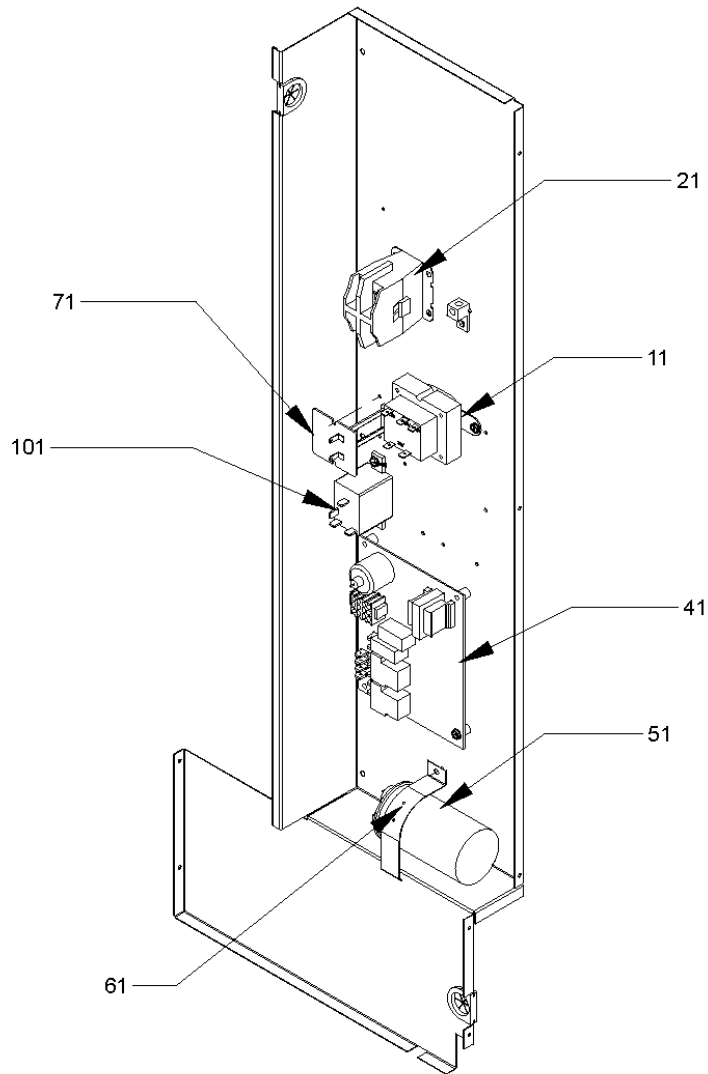
Image 1:

Expanded Model Nomenclature

21	0131G00000PS	ID BLOWER (M7, M8, M9, M10, M11, M12, M13, M14, M15)
31	20463204	ID BLOWER PLATE (M8, M10)
31	20463202	ID BLOWER PLATE LRG (M12, M14)
31	20463203	ID BLOWER PLATE LRG (M15)
31	20463103	ID BLOWER PLATE LRG 4 BRNR (M7)
31	20463201	ID BLOWER PLATE LRG 4 BRNR (M9, M11, M13)
31	20463101	ID BLOWER PLATE SML 2 BRNR (M1, M3, M5)
31	20463102	ID BLOWER PLATE SML 3 BRNR (M2, M4, M6)
41	11112501S	PRESSURE SWITCH (M1, M2, M3, M4, M5, M6)
51	4305022	HEAT EXCHANGER ASSY (M1, M3, M5)
51	4305023	HEAT EXCHANGER ASSY (M2, M4, M6)
51	4305025	HEAT EXCHANGER ASSY (M8, M10)
51	4305026	HEAT EXCHANGER ASSY (M15)
51	4305017	HEAT EXCHANGER ASSY 4B (LRG-12) (M9, M11, M13)
51	4305016	HEAT EXCHANGER ASSY 4B (MED-12) (M7)
51	4305018	HEAT EXCHANGER ASSY 5B (LRG-12) (M12, M14)
71	0130F00014S	IGNITOR
81	B1282628	GAS VALVE (36G)
91	0130F00010	FLAME SENSOR
111	10735102S	BECKETT BURNER (QTY 2)
121	20190411	BURNER BRACKET 3B (M2, M4, M6, M8, M10)
121	20190412	BURNER BRACKET 4B (M7, M9, M11, M13)
121	20190413	BURNER BRACKET 5B (M12, M14)
121	0121F00145	BURNER BRACKET 6B (M15)
131	10123529	MANUAL RESET LIMIT
141	20484401W	FLUE ELBOW LEFT (M7, M8, M9, M10, M11, M12, M13, M14, M15)
141	20484402W	FLUE ELBOW RIGHT (M1, M2, M3, M4, M5, M6)
151	11072201	ORIFICE SHIELD (M1, M3, M5)
151	11072202	ORIFICE SHIELD (M8, M10)
151	11072203	ORIFICE SHIELD (M7, M9, M11, M13)
151	11072204	ORIFICE SHIELD (M12, M14)
151	11072205	ORIFICE SHIELD (M15)
231	10716003	ORIFICE (QTY 2)
NS	20463001	ID BLOWER PLATE GASKET LRG (M8, M9, M10, M11, M12, M13, M14, M15)
NS	20462801	ID BLOWER PLATE GASKET SML (M7)

M1 - APG1324045M41AA
M2 - APG1324070M41AA
M3 - APG1330045M41AA
M4 - APG1330070M41AA
M5 - APG1336045M41AA
M6 - APG1336070M41AA
M7 - APG1336090M41AA
M8 - APG1342070M41AA
M9 - APG1342090M41AA
M10 - APG1348070M41AA
M11 - APG1348090M41AA
M12 - APG1348115M41AA
M13 - APG1360090M41AA
M14 - APG1360115M41AA
M15 - APG1360140M41AA

Control Panel



Control Panel

Ref. Part No:	Ref. Part No:	Description:	Description:
<i>Image 1:</i>			
11	B1141643	TRANSFORMER 208/230, 24V	
21	CONT2P025024VS	CONTACTOR 25 AMP, 2P, 24V (M1, M2, M3, M4, M5, M6, M7)	
21	CONT2P030024VS	CONTACTOR 30 AMP, 2P, 24V (M8, M9, M10, M11, M12, M13, M14, M15)	
41	PCBAG123S	IGNITION BOARD, DSI INTEGRATED	
51	CAP050350440RSS	CAPACITOR 5/35/440V [CONTROL BOX] (M1, M2, M3, M4)	
51	CAP050450440RTS	CAPACITOR 5/45/440V [CONTROL BOX] (M5, M6, M7, M8, M9, M10, M11, M12)	
51	CAP050700440RTS	CAPACITOR 5/70/440V [CONTROL BOX] (M13, M14, M15)	
61	20520901	STRAP-CAPACITOR (M3, M4, M5, M6, M7, M8, M9)	
71	10728342	LIMIT SWITCH (M1, M2, M3, M4)	
71	10728343	LIMIT SWITCH (M5, M6, M7, M15)	
71	10728344	LIMIT SWITCH (M8, M9, M10, M11, M12, M13, M14)	
101	0130M00025S	24V RELAY (M10, M11, M12, M13, M14, M15)	
NS	0259G00090	12 PIN MALE PLUG ASSY (M8, M9, M10, M11, M12, M13, M14, M15)	
NS	0259G00091	ASSY, FEMALE PLUG	
NS	0259G00009	BLOWER HARNESS (M1, M2, M3, M4, M5, M6, M7, M8, M9)	
NS	0259G00023	BLOWER HARNESS (M10, M11, M12, M13, M14, M15)	
NS	0259G00081	CONTROL HARNESS (M8, M9)	
NS	0259G00083	CONTROL HARNESS (M10, M11, M12)	
NS	0259G00084	CONTROL HARNESS (M13, M14, M15)	
NS	0259G00085	CONTROL HARNESS (M3, M4)	
NS	0259G00086	CONTROL HARNESS (M5, M6, M7)	
NS	0259G00080	HARNESS-CONTROL (M1, M2)	
NS	0259G00093	PLUG ASSY, 12 PIN MALE (M1, M2, M3, M4, M5, M6, M7)	

Expanded Model Nomenclature

M1 - APG1324045M41AA
M2 - APG1324070M41AA
M3 - APG1330045M41AA
M4 - APG1330070M41AA
M5 - APG1336045M41AA
M6 - APG1336070M41AA
M7 - APG1336090M41AA
M8 - APG1342070M41AA
M9 - APG1342090M41AA
M10 - APG1348070M41AA
M11 - APG1348090M41AA
M12 - APG1348115M41AA
M13 - APG1360090M41AA
M14 - APG1360115M41AA
M15 - APG1360140M41AA