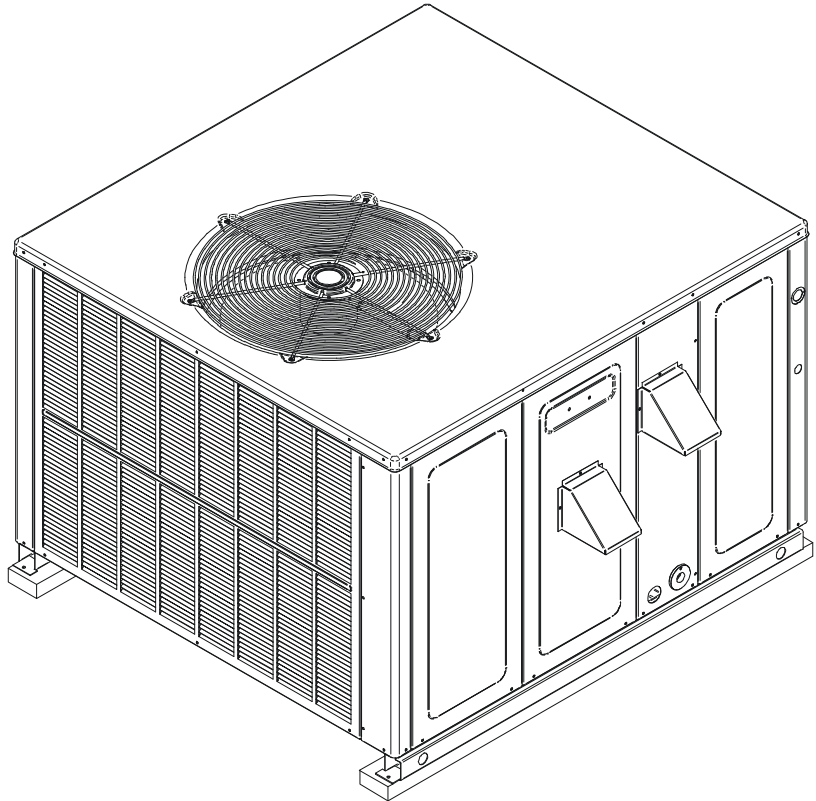


## APG13 Multi-Position Package Gas Units

APG1324045M41AD  
APG1324070M41AD  
APG1330045M41AD  
APG1330070M41AD  
APG1336045M41AD  
APG1336070M41AD  
APG1336090M41AD  
APG1342070M41AD  
APG1342090M41AD  
APG1348070M41AD  
APG1348090M41AD  
APG1348115M41AD  
APG1360090M41AD  
APG1360115M41AD  
APG1360140M41AD



Amana® is a registered trademark of Maytag Corporation or its related companies and is used under license. All rights reserved.

This manual is to be used by qualified technicians only.

This manual replaces RP-668A.

© 2011, 2015, 2017 Goodman Company, L.P. ♦ 5151 San Felipe St, Suite 500 ♦ Houston, TX 77056

# Important Information

---

## Index

Functional Parts List .....	3
Illustration and Parts .....	4 - 13

*Views shown are for parts illustrations only, not servicing procedures*

### Text Codes:

AR - As Required

NA - Not Available

NS - Not Shown

00000000 - See Note

QTY - Quantity Example (QTY 3) (If Quantity not shown, Quantity = 1)

M - Model Example (M1) (If M Code not shown, then part is used on all Models)

### Expanded Model Nomenclature:

Example M1 - Model#1 M2 - Model#2 M3 - Model#3
---

Goodman Company, L.P. is not responsible for personal injury or property damage resulting from improper service. Review all service information before beginning repairs.

Warranty service must be performed by an authorized technician, using authorized factory parts. If service is required after the warranty expires, Goodman Company, L.P. also recommends contacting an authorized technician and using authorized factory parts.

Goodman Company, L.P. reserves the right to discontinue, or change at any time, specifications or designs without notice or without incurring obligations.

For assistance within the U.S.A. contact:

Homeowner Support  
Goodman Company, L.P.  
19001 Kermier Road  
Waller, Texas 77484  
877-254-4729-Telephone  
713-863-2382-Facsimile

For assistance outside the U.S.A. contact:

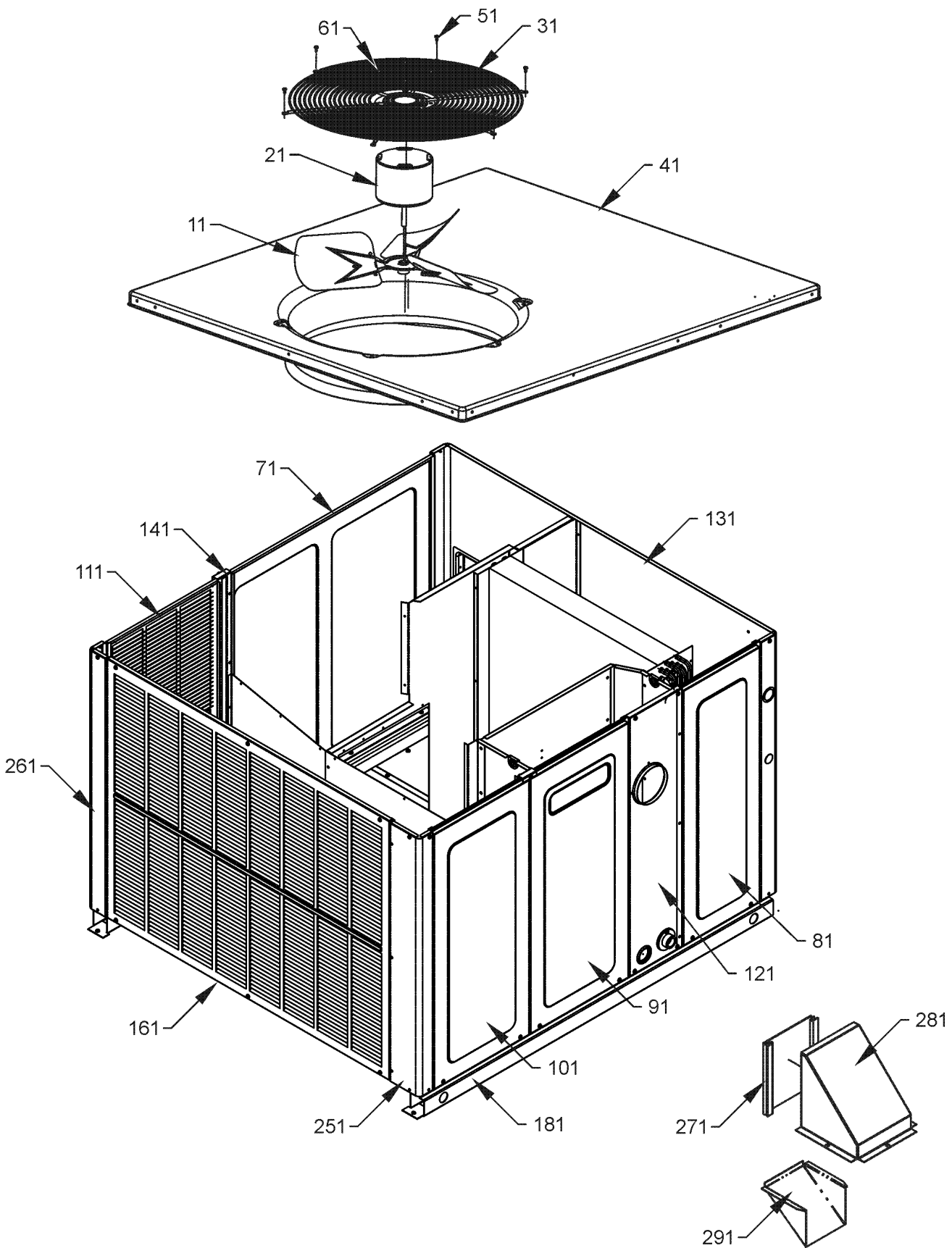
International Division  
Goodman Company, L.P.  
19001 Kermier Road  
Waller, Texas 77484  
713-861-2500-Telephone  
713-863-2382-Facsimile

# Functional Parts

**Part No:**      **Description:**

Part No:	Description:	Expanded Model Nomenclature
0130M00242	24V RELAY (M10, M11, M12, M13, M14, M15)	M1 - APG1324045M41AD
10735102	BECKETT BURNER (QTY 2)	M2 - APG1324070M41AD
11091202	BLOWER MOTOR 1/3 HP, 3 SP, 6 PL (M3, M4)	M3 - APG1330045M41AD
11091203	BLOWER MOTOR 1/3 HP, 3 SP, 6 PL (M5, M6, M7, M8, M9)	M4 - APG1330070M41AD
11091207	BLOWER MOTOR 1/4 HP, 3 SP, 8 PL (M1, M2)	M5 - APG1336045M41AD
D6723306	BLOWER WHEEL (M8, M9)	M6 - APG1336070M41AD
D6723303	BLOWER WHEEL (M5, M6, M7)	M7 - APG1336090M41AD
B1368058	BLOWER WHEEL 10 X 8 (M1, M2)	M8 - APG1342070M41AD
B1368016	BLOWER WHEEL 10 X 8 (M3, M4)	M9 - APG1342090M41AD
B1368000	BLOWER WHEEL 11 X 10 (M10, M11, M12, M13, M14, M15)	M10 - APG1348070M41AD
CAP100000370LA	CAPACITOR 10/370V (M1, M2, M3, M4, M5, M6, M7, M8, M9)	M11 - APG1348090M41AD
CAP050350440CS	CAPACITOR 5/35/440V (M1, M2, M3, M4)	M12 - APG1348115M41AD
CAP050450440CT	CAPACITOR 5/45/440V/DUAL RD (M5, M6, M7, M8, M9, M10, M11, M12)	M13 - APG1360090M41AD
CAP050700440CT	CAPACITOR 5/70/440V/DUAL RD (M13, M14, M15)	M14 - APG1360115M41AD
ZP31K5EPFV130	COMPRESSOR 31100, 208/230/60/1 (M5, M6, M7)	M15 - APG1360140M41AD
ZP34K5EPFV130	COMPRESSOR 34500, 208/230/60/1 (M8, M9)	
ZP39K5EPFV130	COMPRESSOR 39000, 208/230/60/1 (M10, M11, M12)	
ZP51K5EPFV130	COMPRESSOR 51000, 208/230/60/1 (M13, M14, M15)	
760001-2001-20	COMPRESSOR, BRISTOL (M1, M2)	
760005-2001-20	COMPRESSOR, BRISTOL (M3, M4)	
0131M00061	COND MOTOR 1/4 HP, 1 SP, 8 PL (M1, M2, M5, M6, M7)	
0131M00429	COND MOTOR 1/4 HP, 1 SP, 6 PL (M3, M4, M8, M9, M10, M11, M12, M13, M14, M15)	
CONT1P025024V	CONTACTOR 25 AMP, 1P, 24V (M1, M2, M3, M4, M5, M6, M7)	
CONT1P030024V	CONTACTOR 30 AMP, 1P, 24V (M8, M9, M10, M11, M12, M13, M14, M15)	
0130M00018	CUT-OUT SWITCH, HIGH PRESSURE	
0150M00016	FAN BLADE (M1, M2)	
B1086775	FAN BLADE (M3, M4)	
0150G00002	FAN BLADE SWEPT-WING (M5, M6, M7)	
0150G00003	FAN BLADE SWEPT-WING (M8, M9, M10, M11, M12, M13, M14, M15)	
0130F00010	FLAME SENSOR	
0151M00013	GAS VALVE (HW) SINGLE STAGE	
PCBAG123	IGNITION BOARD, DSI INTEGRATED	
0130F00014	IGNITOR	
10728342	LIMIT SWITCH (M1, M2, M3, M4)	
10728343	LIMIT SWITCH (M5, M6, M7, M15)	
10728344	LIMIT SWITCH (M8, M9, M10, M11, M12, M13, M14)	
10123532	MANUAL RESET LIMIT 350°F	
0131M00522	MOTOR - 1 HP PROGRAMMED SELEC (M13, M14, M15)	
0131M00527	MOTOR - 1 HP PROGRAMMED SELEC (M10, M11, M12)	
0131G00007	MOTOR, ID BLOWER	
11112501	PRESSURE SWITCH	
0130M00138	TRANSFORMER 208/230, 24V	
DY6.186.070	VENT MOTOR CAPACITOR	

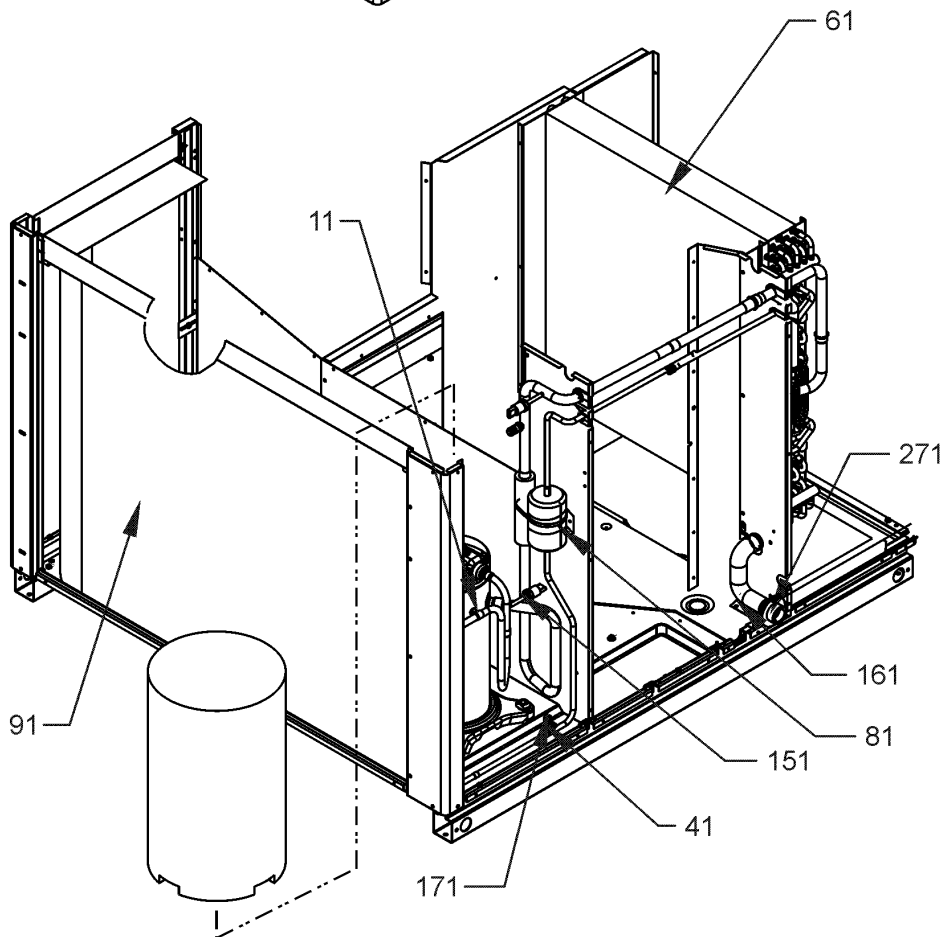
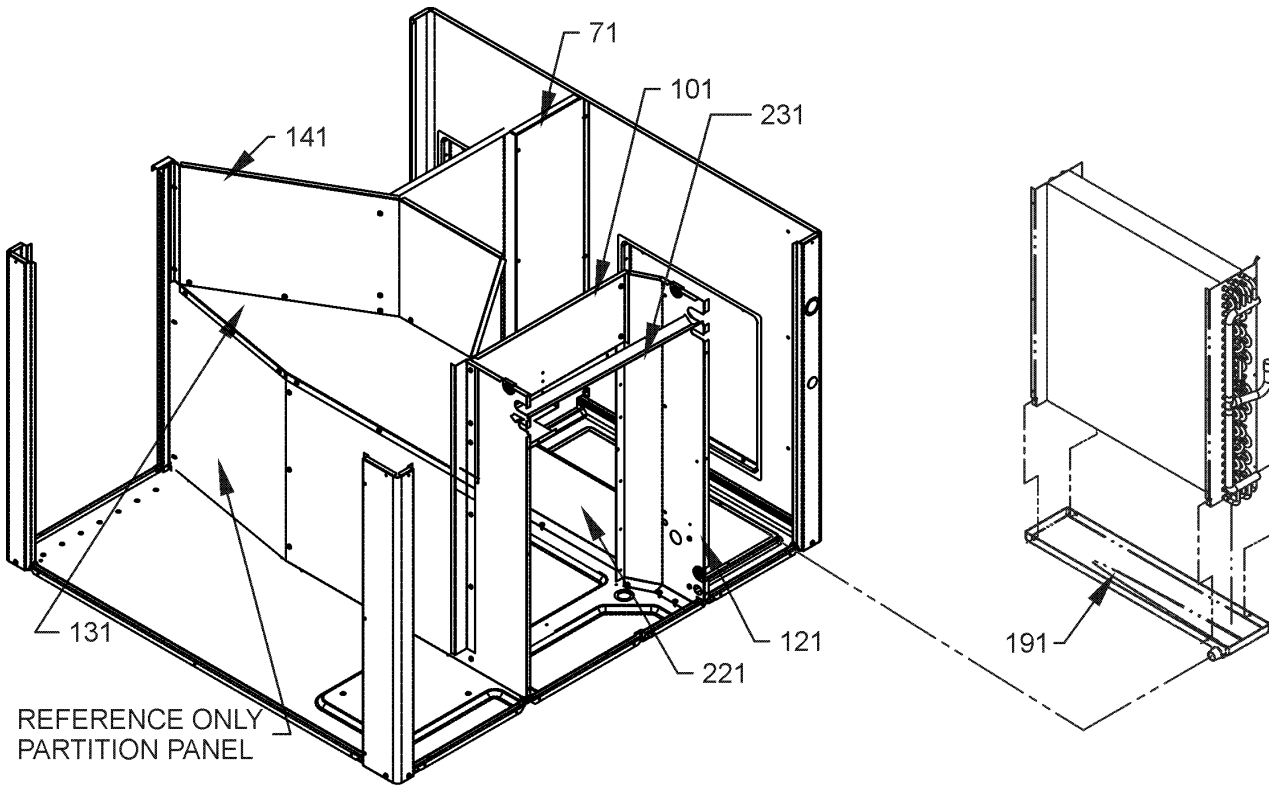
# Top Panel and Cabinet Assembly



# Top Panel and Cabinet Assembly

Ref. Part No: No:	Description:	Ref. Part No: No:	Description:															
<b>Image 1:</b>		<b>Image 1:</b>																
11	0150M00016 FAN BLADE (M1, M2)	281	0121G00323 FLUE HOOD (QTY 2)															
11	B1086775 FAN BLADE (M3, M4)	291	0121G00190 FLUE HOOD-LOWER															
11	0150G00002 FAN BLADE SWEPT-WING (M5, M6, M7)	NS	B1910012 GAS LINE GROMMET															
11	0150G00003 FAN BLADE SWEPT-WING (M8, M9, M10, M11, M12, M13, M14, M15)	NS	17788000083F PVC CONDUIT 8.25"															
21	0131M00061 COND MOTOR 1/4 HP, 1 SP, 8 PL (M1, M2, M5, M6, M7)	<b>Expanded Model Nomenclature</b>																
21	0131M00429 COND MOTOR 1/4 HP, 1 SP, 6 PL (M3, M4, M8, M9, M10, M11, M12, M13, M14, M15)	<table border="1"> <tr><td>M1 - APG1324045M41AD</td></tr> <tr><td>M2 - APG1324070M41AD</td></tr> <tr><td>M3 - APG1330045M41AD</td></tr> <tr><td>M4 - APG1330070M41AD</td></tr> <tr><td>M5 - APG1336045M41AD</td></tr> <tr><td>M6 - APG1336070M41AD</td></tr> <tr><td>M7 - APG1336090M41AD</td></tr> <tr><td>M8 - APG1342070M41AD</td></tr> <tr><td>M9 - APG1342090M41AD</td></tr> <tr><td>M10 - APG1348070M41AD</td></tr> <tr><td>M11 - APG1348090M41AD</td></tr> <tr><td>M12 - APG1348115M41AD</td></tr> <tr><td>M13 - APG1360090M41AD</td></tr> <tr><td>M14 - APG1360115M41AD</td></tr> <tr><td>M15 - APG1360140M41AD</td></tr> </table>		M1 - APG1324045M41AD	M2 - APG1324070M41AD	M3 - APG1330045M41AD	M4 - APG1330070M41AD	M5 - APG1336045M41AD	M6 - APG1336070M41AD	M7 - APG1336090M41AD	M8 - APG1342070M41AD	M9 - APG1342090M41AD	M10 - APG1348070M41AD	M11 - APG1348090M41AD	M12 - APG1348115M41AD	M13 - APG1360090M41AD	M14 - APG1360115M41AD	M15 - APG1360140M41AD
M1 - APG1324045M41AD																		
M2 - APG1324070M41AD																		
M3 - APG1330045M41AD																		
M4 - APG1330070M41AD																		
M5 - APG1336045M41AD																		
M6 - APG1336070M41AD																		
M7 - APG1336090M41AD																		
M8 - APG1342070M41AD																		
M9 - APG1342090M41AD																		
M10 - APG1348070M41AD																		
M11 - APG1348090M41AD																		
M12 - APG1348115M41AD																		
M13 - APG1360090M41AD																		
M14 - APG1360115M41AD																		
M15 - APG1360140M41AD																		
31	0152G00003 FAN GRILLE																	
41	0121G00156PDG TOP PANEL																	
51	M0221817 SMALL SCREW (QTY 6)																	
61	0163M00006P ACORN NUT 5/16 HEX BLACK (QTY 4)																	
71	20464801PDG BLOWER DOOR 32" (M1, M2, M3, M4, M5, M6, M7)																	
71	20464806PDG BLOWER DOOR 40" (M8, M9, M10, M11, M12, M13, M14, M15)																	
81	20464807PDG DOOR-EVAP/CONTROL 40 W/PAINT (M8, M9, M10, M11, M12, M13, M14, M15)																	
81	20464802PDG EVAP/CONTROL DOOR 32" (M1, M2, M3, M4, M5, M6, M7)																	
91	0121G00526DG DOOR-HT EXCHANGE 32 (M1, M2, M3, M4, M5, M6, M7)																	
91	0121G00527DG DOOR-HT EXCHANGE 38 (M8, M9, M10, M11, M12, M13, M14, M15)																	
101	20464804PDG COMPRESSOR DOOR 32" (M1, M2, M3, M4, M5, M6, M7)																	
101	20464809PDG COMPRESSOR DOOR 40" (M8, M9, M10, M11, M12, M13, M14, M15)																	
111	20467701PLG LOUVERED PANEL, COND SIDE 32" (M1, M2, M3, M4, M5, M6, M7)																	
111	20467702PLG LOUVERED PANEL, COND SIDE 40" (M8, M9, M10, M11, M12, M13, M14, M15)																	
121	20466101PDG UTILITY PANEL 32" (M1, M2, M3, M4, M5, M6, M7)																	
121	20466102PDG UTILITY PANEL 40" (M8, M9, M10, M11, M12, M13, M14, M15)																	
131	0121G00673DG PNL, DUCT, GAS 32.5" (M1, M2, M3, M4, M5, M6, M7)																	
131	0121G00674DG PNL, DUCT, GAS 40" (M8, M9, M10, M11, M12, M13, M14, M15)																	
141	0121G00460 POST-SUPPORT, SIDE (M1, M2, M3, M4, M5, M6, M7)																	
141	0121G00615 POST-SUPPORT, SIDE 40 (M8, M9, M10, M11, M12, M13, M14, M15)																	
161	20464401PLG LOUVERED PANEL, COND SIDE 32" (M1, M2, M3, M4, M5, M6, M7)																	
161	20464402PLG LOUVERED PANEL, COND SIDE 40" (M8, M9, M10, M11, M12, M13, M14, M15)																	
181	0121G00290 BASE PAN RAIL (QTY 2)																	
251	20464201PDG CORNER POST-COMP END 32" (M1, M2, M3, M4, M5, M6, M7)																	
251	20464202PDG CORNER POST-COMP END 40" (M8, M9, M10, M11, M12, M13, M14, M15)																	
261	20464301PDG CORNER POST-HAIRPIN END 32" (M1, M2, M3, M4, M5, M6, M7)																	
261	20464302PDG CORNER POST-HAIRPIN END 40" (M8, M9, M10, M11, M12, M13, M14, M15)																	
271	20472601 SCREEN-FLUE HOOD																	

# Partition Panel / Tubing Assy



# Partition Panel / Tubing Assy

Ref. Part No: No:	Description:	Ref. Part No: No:	Description:															
<b>Image 1:</b>		<b>Image 1:</b>																
11	ZP31K5EPFV130 COMPRESSOR 31100, 208/230/60/1 (M5, M6, M7)	NS 0159G00006	COMPRESSOR SCROLL HARNESS (M8, M9, M10, M11, M12, M13, M14, M15)															
11	ZP34K5EPFV130 COMPRESSOR 34500, 208/230/60/1 (M8, M9)	NS B1810011	HOSE CLAMP 1.25 (QTY 2)															
11	ZP39K5EPFV130 COMPRESSOR 39000, 208/230/60/1 (M10, M11, M12)	NS M0221641	TF SHOULDER SCREW (QTY 4)															
11	ZP51K5EPFV130 COMPRESSOR 51000, 208/230/60/1 (M13, M14, M15)	<b>Expanded Model Nomenclature</b>																
11	760001-2001-20 COMPRESSOR, BRISTOL (M1, M2)	<table border="1"> <tr><td>M1 - APG1324045M41AD</td></tr> <tr><td>M2 - APG1324070M41AD</td></tr> <tr><td>M3 - APG1330045M41AD</td></tr> <tr><td>M4 - APG1330070M41AD</td></tr> <tr><td>M5 - APG1336045M41AD</td></tr> <tr><td>M6 - APG1336070M41AD</td></tr> <tr><td>M7 - APG1336090M41AD</td></tr> <tr><td>M8 - APG1342070M41AD</td></tr> <tr><td>M9 - APG1342090M41AD</td></tr> <tr><td>M10 - APG1348070M41AD</td></tr> <tr><td>M11 - APG1348090M41AD</td></tr> <tr><td>M12 - APG1348115M41AD</td></tr> <tr><td>M13 - APG1360090M41AD</td></tr> <tr><td>M14 - APG1360115M41AD</td></tr> <tr><td>M15 - APG1360140M41AD</td></tr> </table>		M1 - APG1324045M41AD	M2 - APG1324070M41AD	M3 - APG1330045M41AD	M4 - APG1330070M41AD	M5 - APG1336045M41AD	M6 - APG1336070M41AD	M7 - APG1336090M41AD	M8 - APG1342070M41AD	M9 - APG1342090M41AD	M10 - APG1348070M41AD	M11 - APG1348090M41AD	M12 - APG1348115M41AD	M13 - APG1360090M41AD	M14 - APG1360115M41AD	M15 - APG1360140M41AD
M1 - APG1324045M41AD																		
M2 - APG1324070M41AD																		
M3 - APG1330045M41AD																		
M4 - APG1330070M41AD																		
M5 - APG1336045M41AD																		
M6 - APG1336070M41AD																		
M7 - APG1336090M41AD																		
M8 - APG1342070M41AD																		
M9 - APG1342090M41AD																		
M10 - APG1348070M41AD																		
M11 - APG1348090M41AD																		
M12 - APG1348115M41AD																		
M13 - APG1360090M41AD																		
M14 - APG1360115M41AD																		
M15 - APG1360140M41AD																		
11	760005-2001-20 COMPRESSOR, BRISTOL (M3, M4)																	
41	B1373315 ACCESS FITTING (QTY 2)																	
61	0202G00282 EVAP COIL TUBING ASSY (M10, M11, M12)																	
61	0202G00283 EVAP COIL TUBING ASSY (M1, M2)																	
61	0202G00288 EVAP COIL TUBING ASSY (M3, M4)																	
61	0202G00290 EVAP COIL TUBING ASSY (M5, M6, M7)																	
61	0202G00292 EVAP COIL TUBING ASSY (M13, M14, M15)																	
61	0202G00316 TUBING ASSY, EVAP COIL (M8, M9)																	
71	20465302 BLOWER DIVIDER (M10, M11, M12, M13, M14, M15)																	
71	20465305 BLOWER DIVIDER (M1, M2, M3, M4)																	
71	20465306 BLOWER DIVIDER (M8, M9)																	
71	20465304 BLOWER DIVIDER 32" 10 X 9 (M5, M6, M7)																	
81	B1219212 SINGLE-FLOW FILTER DRIER, STEEL (M1, M2, M3, M4, M5, M6, M7)																	
81	B1219225 SINGLE-FLOW FILTER DRIER, STEEL (M8, M9, M10, M11, M12, M13, M14, M15)																	
91	0201G00139 COND COIL ASSY (M8, M9)																	
91	0201G00142 COND COIL TUBING ASSY (M1, M2, M3, M4, M5, M6, M7)																	
91	0201G00143 COND COIL TUBING ASSY (M13, M14, M15)																	
91	0201G00144 COND COIL TUBING ASSY (M10, M11, M12)																	
101	20465201 FILLER PANEL, HEAT EXCHANGER 32" (M1, M2, M3, M4, M5, M6, M7)																	
101	20465202 FILLER PANEL, HEAT EXCHANGER 40" (M8, M9, M10, M11, M12, M13, M14, M15)																	
121	0121G00757 DIVIDER, EVAP/HT EXCH 32 (M1, M2, M3, M4, M5, M6, M7)																	
121	0121G00758 DIVIDER, EVAP/HT EXCH 38 (M8, M9, M10, M11, M12, M13, M14, M15)																	
131	20465701 FAN PARTITION SHELF																	
141	20465801 FAN SURROUND 32" (M1, M2, M3, M4, M5, M6, M7)																	
141	20465802 FAN SURROUND 40" (M8, M9, M10, M11, M12, M13, M14, M15)																	
151	0130M00018 CUT-OUT SWITCH, HIGH PRESSURE																	
161	20498302 DRAIN TUBE 32" (M1, M2, M3, M4, M5, M6, M7)																	
161	20498301 DRAIN TUBE 40" (M8, M9, M10, M11, M12, M13, M14, M15)																	
171	0163M00175 CAP WITH O-RING (QTY 2)																	
191	20464901DF DRAIN PAN-EVAP COIL																	
221	20463802 EVAP/BASEPAN BLOCK 32" (M1, M2, M3, M4, M5, M6, M7)																	
221	20463801 EVAP/BASEPAN BLOCK 40" (M8, M9, M10, M11, M12, M13, M14, M15)																	
231	0121G00555 DRAIN CHANNEL, SUCTION TUBE																	
271	20513001 EVAP DRAIN FITTING																	
NS	B1339530 COMPRESSOR GROMMET (M1, M2, M3, M4)																	
NS	B1339533 COMPRESSOR GROMMET (M5, M6, M7, M8, M9, M10, M11, M12, M13, M14, M15)																	
NS	0159G00002 COMPRESSOR SCROLL HARNESS (M5, M6, M7)																	

# Basepan/Blower Assembly

IMAGE 1

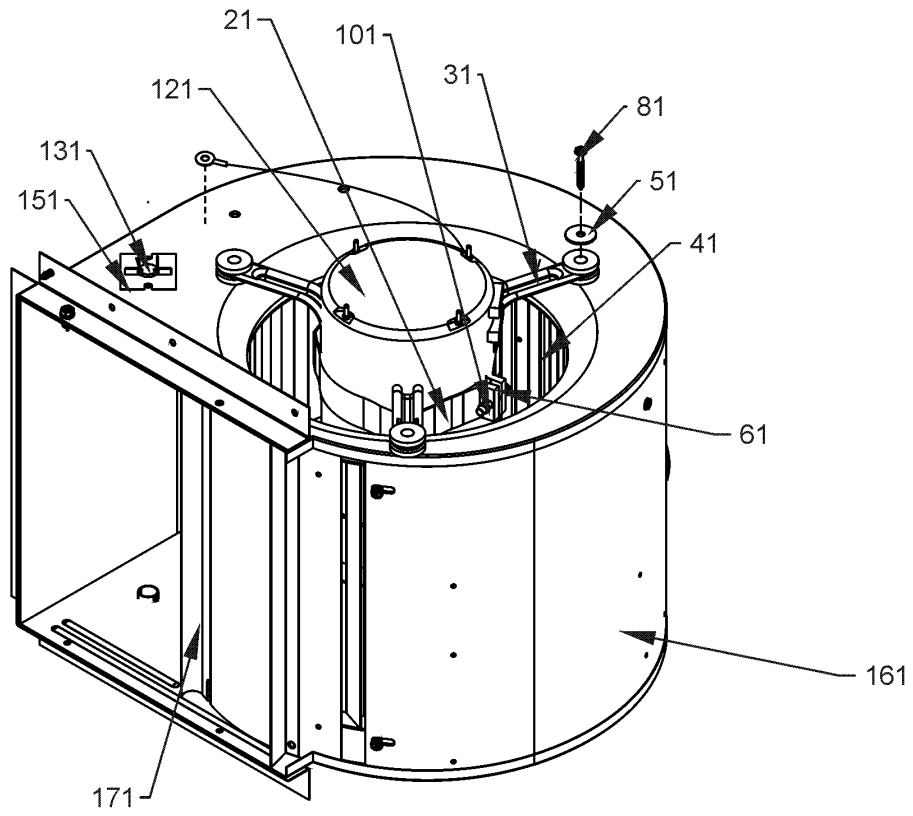
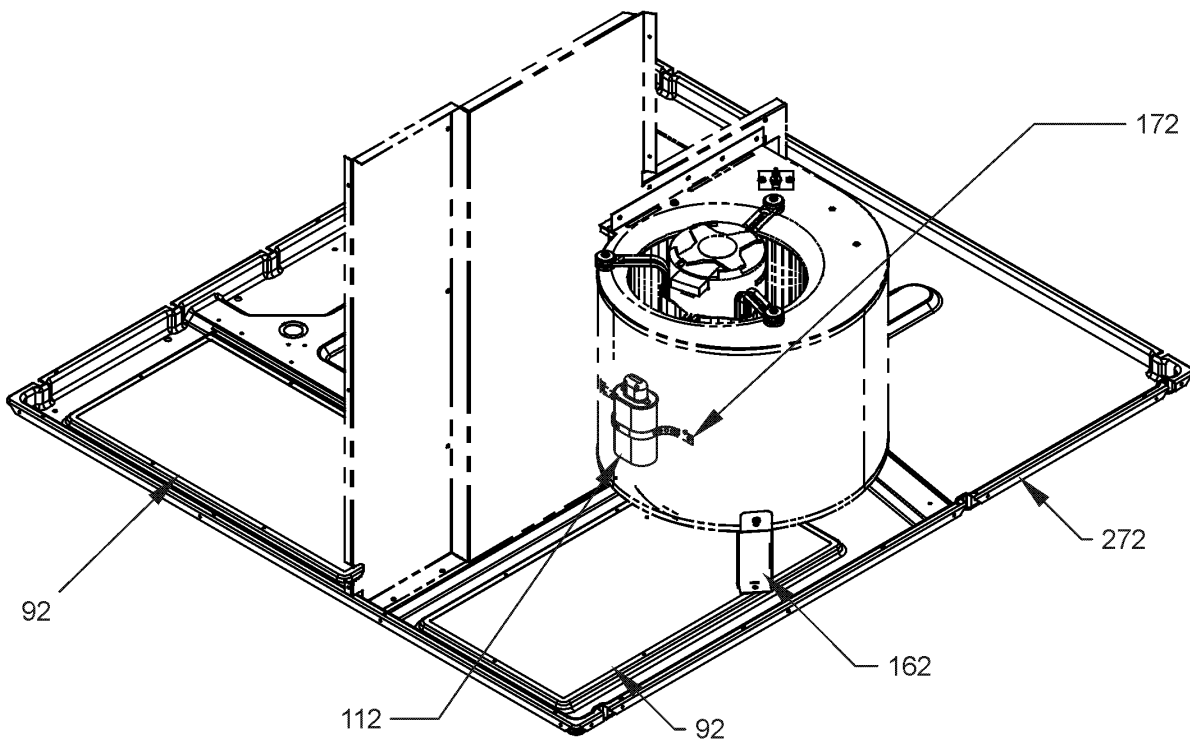


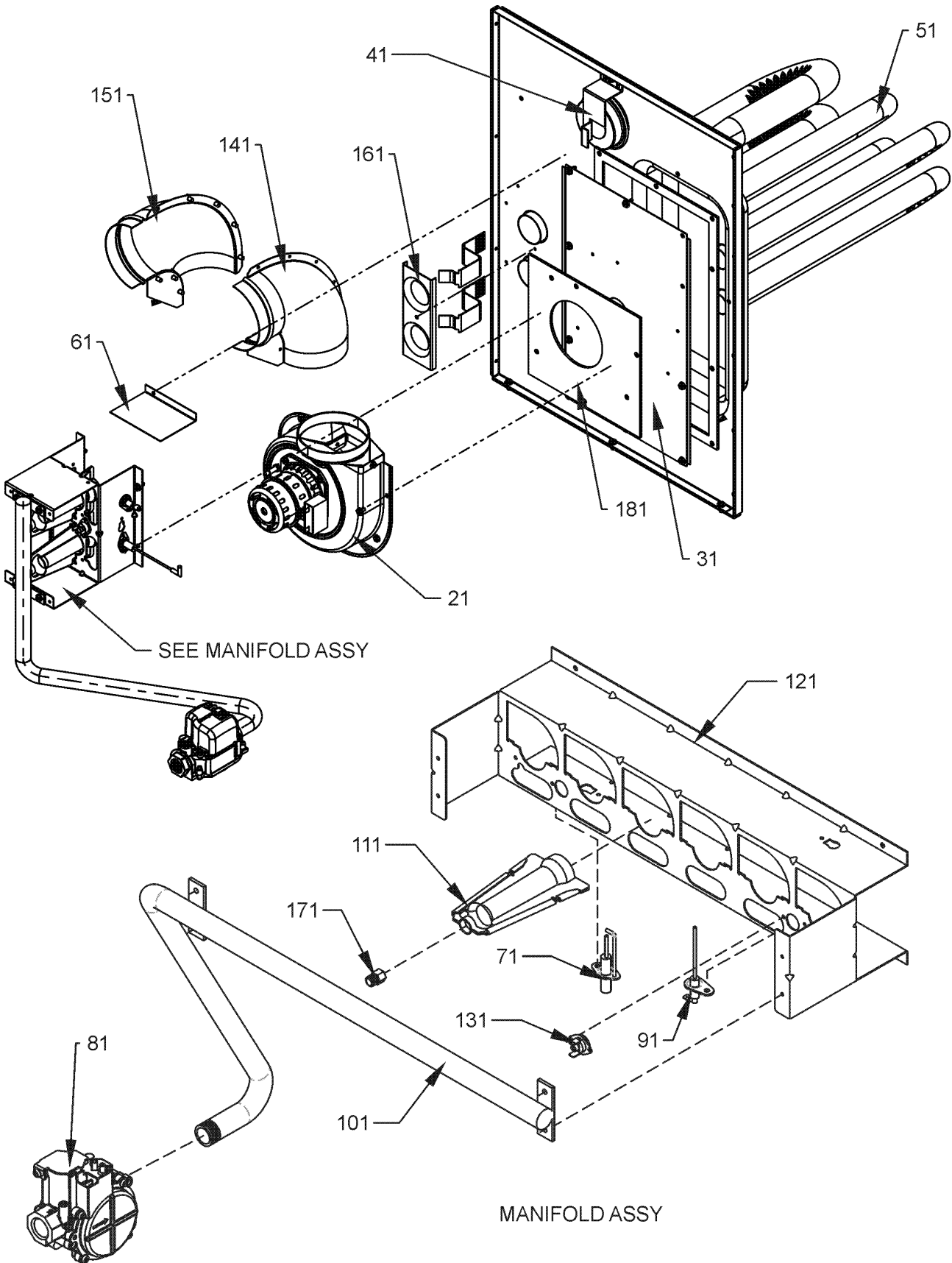
IMAGE 2



# Basepan/Blower Assembly

Ref. Part No:	No:	Description:	Ref. Part No:	No:	Description:
<b>Image 1:</b>			<b>Expanded Model Nomenclature</b>		
21	0121M00038	MOTOR MOUNT BAND (M10, M11, M12, M13, M14, M15)	M1	-	APG1324045M41AD
31	B1376857	MOTOR MOUNT ARM (M10, M11, M12, M13, M14, M15)	M2	-	APG1324070M41AD
41	D6723303	BLOWER WHEEL (M5, M6, M7)	M3	-	APG1330045M41AD
41	D6723306	BLOWER WHEEL (M8, M9)	M4	-	APG1330070M41AD
41	B1368016	BLOWER WHEEL 10 X 8 (M3, M4)	M5	-	APG1336045M41AD
41	B1368058	BLOWER WHEEL 10 X 8 (M1, M2)	M6	-	APG1336070M41AD
41	B1368000	BLOWER WHEEL 11 X 10 (M10, M11, M12, M13, M14, M15)	M7	-	APG1336090M41AD
51	B1392918	WASHER FLAT 1/4 ID X 1 OD (M10, M11, M12, M13, M14, M15)	M8	-	APG1342070M41AD
61	B1393323	MACHINE SCREW HWH 1/4-20 X 1-1/2 BZ (M10, M11, M12, M13, M14, M15)	M9	-	APG1342090M41AD
81	M0250558	TC SCREW (M1, M2, M3, M4, M5, M6, M7, M8, M9)	M10	-	APG1348070M41AD
81	M0250565	TC SCREW 1.25" (M10, M11, M12, M13, M14, M15)	M11	-	APG1348090M41AD
101	B1393800	LOCKNUT, NYLON, INSERT 1/4, 20 (M10, M11, M12, M13, M14, M15)	M12	-	APG1348115M41AD
121	11091202	BLOWER MOTOR 1/3 HP, 3 SP, 6 PL (M3, M4)	M13	-	APG1360090M41AD
121	11091203	BLOWER MOTOR 1/3 HP, 3 SP, 6 PL (M5, M6, M7, M8, M9)	M14	-	APG1360115M41AD
121	11091207	BLOWER MOTOR 1/4 HP, 3 SP, 8 PL (M1, M2)	M15	-	APG1360140M41AD
121	0131M00522	MOTOR - 1 HP PROGRAMMED SELEC (M13, M14, M15)			
121	0131M00527	MOTOR - 1 HP PROGRAMMED SELEC (M10, M11, M12)			
131	20269903	AUXILIARY LIMIT, AUTO RESET			
151	2509503F	AUXILIARY LIMIT BRACKET			
161	0271F00057	BLOWER HOUSING ASSY 10 X 10 (M8, M9)			
161	0271F00001P	BLOWER HOUSING ASSY 10 X 8 (M1, M2)			
161	0271G00025	BLOWER HOUSING ASSY 10 X 8 (M3, M4)			
161	0271G00024	BLOWER HOUSING ASSY 10 X 9 (M5, M6, M7)			
161	2539309	BLOWER HOUSING ASSY 11 X 10 (M10, M11, M12, M13, M14, M15)			
171	764742	BLOWER BLOCK-OFF (M5, M6, M7)			
171	764741	BLOWER BLOCK-OFF 10 X 10 (M8, M9)			
171	764740	BLOWER BLOCK-OFF 10 X 8 (M1, M2, M3, M4)			
NS	0259G00009	BLOWER HARNESS (M1, M2, M3, M4, M5, M6, M7, M8, M9)			
NS	0259G00023	BLOWER HARNESS (M10, M11, M12, M13, M14, M15)			
NS	B1392143	GROMMET, 26TAL F/TORSIN FLEX (M1, M2, M8, M9)			
<b>Image 2:</b>					
92	0121G00148	SINGLE COVER, DOWN DISCHARGE (M1, M2, M3, M4, M5, M6, M7, M8, M9)			
112	CAP100000370LA	CAPACITOR 10/370V (M1, M2, M3, M4, M5, M6, M7, M8, M9)			
162	4322801	11 X 10 BLOWER SUPPORT LRG (M10, M11, M12, M13, M14, M15)			
172	20520901	CAPACITOR STRAP (M1, M2, M3, M4, M5, M6, M7, M8, M9)			
272	0121G00444	BASEPAN, PACKAGE			
NS	20463701	11 X 10 BLOWER MOUNTING (M10, M11, M12, M13, M14, M15)			
NS	B821700	CAPACITOR BOOT (M1, M2, M3, M4, M5, M6, M7, M8, M9)			

# Heat Exchanger/Manifold/Gas Valve



# Heat Exchanger/Manifold/Gas Valve

**Ref. Part  
No: No:**

**Description:**

**Ref. Part  
No: No:**

**Description:**

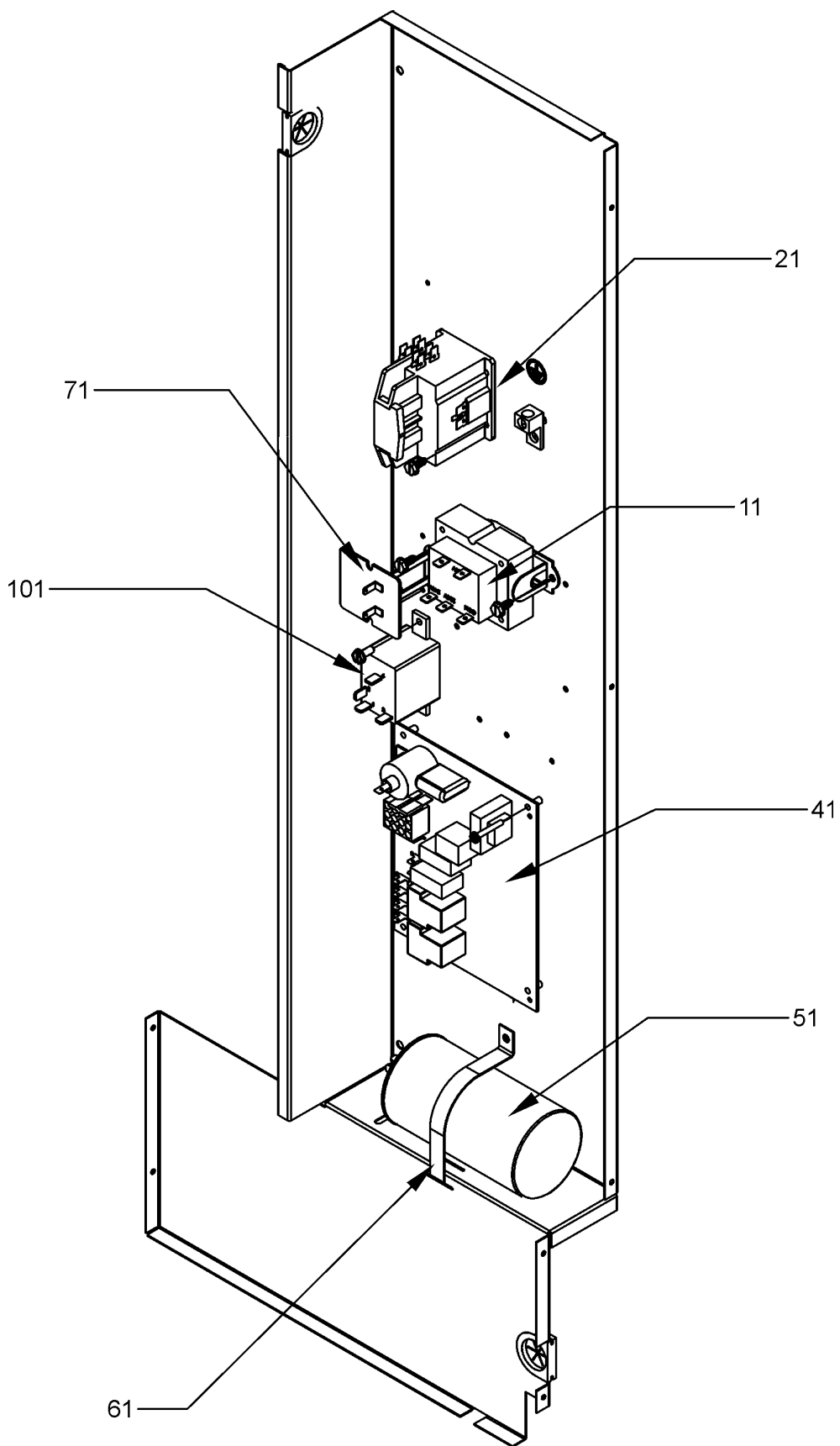
**Image 1:**

21	0131G00007	MOTOR, ID BLOWER
31	0121G00433	PLATE-ID BLWR LRG BRNR 1.75 (M8, M10)
31	0121G00430	PLATE-ID BLWR LRG 4 BRNR 2 (M9, M11, M13)
31	0121G00431	PLATE-ID BLWR LRG 5 BRNR 3 (M12, M14)
31	0121G00432	PLATE-ID BLWR LRG 6 BRNR 3.5 (M15)
31	0121G00427	PLATE-ID BLWR SML 2 BRNR 1.5 (M1, M3, M5)
31	0121G00428	PLATE-ID BLWR SML 3 BRNR 1.75 (M2, M4, M6)
31	0121G00429	PLATE-ID BLWR SML 4 BRNR 2 (M7)
41	11112501	PRESSURE SWITCH
51	20490715	PART/TUBE ASSY (M1, M3, M5)
51	20490717	PART/TUBE ASSY (M8, M10)
51	20490718	PART/TUBE ASSY (M15)
51	20490710	PART/TUBE ASSY 3B (M2, M4, M6)
51	20490711	PART/TUBE ASSY 4B (M7)
51	20490712	PART/TUBE ASSY 4B (M9, M11, M13)
51	20490713	PART/TUBE ASSY 5B (M12, M14)
61	11190202	HEAT DEFLECTOR
71	0130F00014	IGNITOR
81	0151M00013	GAS VALVE (HW) SINGLE STAGE
91	0130F00010	FLAME SENSOR
101	0121M00035P	MANIFOLD - 2 BRNR (M1, M3, M5)
101	0121M00036P	MANIFOLD - 3 BRNR (M8, M10)
101	20493103	MANIFOLD - 3 BRNR (M2, M4, M6)
101	20493104	MANIFOLD - 4 BRNR (M7)
101	20493105	MANIFOLD - 4 BRNR (M9, M11, M13)
101	20493106	MANIFOLD - 5 BRNR (M12, M14)
101	20493107	MANIFOLD - 6 BRNR (M15)
111	10735102	BECKETT BURNER (QTY 2)
121	20190410	BURNER BRACKET 2B (M1, M3, M5)
121	20190411	BURNER BRACKET 3B (M2, M4, M6, M8, M10)
121	20190412	BURNER BRACKET 4B (M7, M9, M11, M13)
121	20190413	BURNER BRACKET 5B (M12, M14)
121	0121F00145	BURNER BRACKET 6B (M15)
131	10123532	MANUAL RESET LIMIT 350°F
141	20484401	FLUE ELBOW LEFT
151	20484402	FLUE ELBOW RIGHT
161	11072201	ORIFICE SHIELD (M1, M3, M5)
161	11072202	ORIFICE SHIELD (M2, M4, M6, M8, M10)
161	11072203	ORIFICE SHIELD (M7, M9, M11, M13)
161	11072204	ORIFICE SHIELD (M12, M14)
161	11072205	ORIFICE SHIELD (M15)
171	0163F00018	ORIFICE (QTY 2)
181	0154G00003	GASKET, ID BLOWER & PLATE (M1, M2, M3, M4, M5, M6, M7)
181	0154G00004	GASKET, ID BLOWER & PLATE (M8, M9, M10, M11, M12, M13, M14, M15)
NS	DY6.186.070	VENT MOTOR CAPACITOR

**Expanded Model Nomenclature**

M1 - APG1324045M41AD
M2 - APG1324070M41AD
M3 - APG1330045M41AD
M4 - APG1330070M41AD
M5 - APG1336045M41AD
M6 - APG1336070M41AD
M7 - APG1336090M41AD
M8 - APG1342070M41AD
M9 - APG1342090M41AD
M10 - APG1348070M41AD
M11 - APG1348090M41AD
M12 - APG1348115M41AD
M13 - APG1360090M41AD
M14 - APG1360115M41AD
M15 - APG1360140M41AD

# Control Panel Assembly



# Control Panel Assembly

Ref. Part No:	Ref. Part No:	Description:	Description:
<b>Image 1:</b>			
11	0130M00138	TRANSFORMER 208/230, 24V	
21	CONT1P025024V	CONTACTOR 25 AMP, 1P, 24V (M1, M2, M3, M4, M5, M6, M7)	
21	CONT1P030024V	CONTACTOR 30 AMP, 1P, 24V (M8, M9, M10, M11, M12, M13, M14, M15)	
41	PCBAG123	IGNITION BOARD, DSI INTEGRATED	
51	CAP050350440CS	CAPACITOR 5/35/440V (M1, M2, M3, M4)	
51	CAP050450440CT	CAPACITOR 5/45/440V/DUAL RD (M5, M6, M7, M8, M9, M10, M11, M12)	
51	CAP050700440CT	CAPACITOR 5/70/440V/DUAL RD (M13, M14, M15)	
61	20520901	CAPACITOR STRAP	
71	10728342	LIMIT SWITCH (M1, M2, M3, M4)	
71	10728343	LIMIT SWITCH (M5, M6, M7, M15)	
71	10728344	LIMIT SWITCH (M8, M9, M10, M11, M12, M13, M14)	
101	0130M00242	24V RELAY (M10, M11, M12, M13, M14, M15)	
NS	0259G00091	ASSY, FEMALE PLUG	
NS	0259G00009	BLOWER HARNESS (M1, M2, M3, M4, M5, M6, M7, M8, M9)	
NS	0259G00023	HARNESS, BLOWER (M10, M11, M12, M13, M14, M15)	
NS	0259G00080	HARNESS-CONTROL (M1, M2)	
NS	0259G00081	HARNESS-CONTROL (M8, M9)	
NS	0259G00084	HARNESS-CONTROL (M13, M14, M15)	
NS	0259G00085	HARNESS-CONTROL (M3, M4)	
NS	0259G00086	HARNESS-CONTROL (M5, M6, M7)	
NS	0259G00083	HARNESS-CONTROL, FAN (M10, M11, M12)	
NS	0259G00090	PLUG ASSY, 12 PIN MALE (M8, M9, M10, M11, M12, M13, M14, M15)	
NS	0259G00093	PLUG ASSY, 12 PIN MALE (M1, M2, M3, M4, M5, M6, M7)	

## Expanded Model Nomenclature

- M1 - APG1324045M41AD
- M2 - APG1324070M41AD
- M3 - APG1330045M41AD
- M4 - APG1330070M41AD
- M5 - APG1336045M41AD
- M6 - APG1336070M41AD
- M7 - APG1336090M41AD
- M8 - APG1342070M41AD
- M9 - APG1342090M41AD
- M10 - APG1348070M41AD
- M11 - APG1348090M41AD
- M12 - APG1348115M41AD
- M13 - APG1360090M41AD
- M14 - APG1360115M41AD
- M15 - APG1360140M41AD