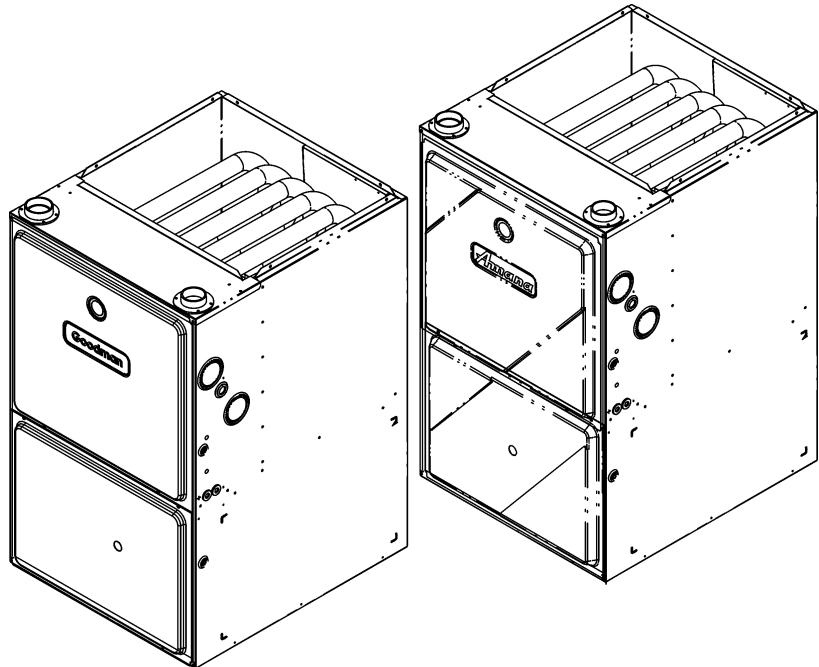


REPAIR PARTS

*MVC95 Upflow Variable Speed Furnace

AMVC950453BXBA
AMVC950704CXBA
AMVC950905CXBA
AMVC950905DXBA
AMVC951155DXBA
GMVC950453BXBA
GMVC950704CXBA
GMVC950905CXBA
GMVC950905DXBA
GMVC951155DXBA



Amana® is a registered trademark of Maytag Corporation or its related companies and is used under license. All rights reserved.

This manual is to be used by qualified technicians only.

This manual replaces RP-765A.

© 2013, 2015, 2017 Goodman Manufacturing Company, L.P. ♦ 5151 San Felipe St., Suite 500 ♦ Houston, TX 77056

Important Information

Index

Functional Parts List	3
Illustration and Parts	4 - 11

Views shown are for parts illustrations only, not servicing procedures

Text Codes:

AR - As Required

NA - Not Available

NS - Not Shown

00000000 - See Note

QTY - Quantity Example (QTY 3) (If Quantity not shown, Quantity = 1)

M - Model Example (M1) (If M Code not shown, then part is used on all Models)

Expanded Model Nomenclature:

Example M1 - Model#1 M2 - Model#2 M3 - Model#3

Goodman Manufacturing Company, L.P. is not responsible for personal injury or property damage resulting from improper service. Review all service information before beginning repairs.

Warranty service must be performed by an authorized technician, using authorized factory parts. If service is required after the warranty expires, Goodman Manufacturing Company, L.P. also recommends contacting an authorized technician and using authorized factory parts.

Goodman Manufacturing Company, L.P. reserves the right to discontinue, or change at any time, specifications or designs without notice or without incurring obligations.

For assistance within the U.S.A. contact:
Homeowner Support
Goodman Manufacturing Company, L.P.
19001 Kermier Road
Waller, Texas 77484
877-254-4729-Telephone
713-863-2382-Facsimile

For assistance outside the U.S.A. contact:
International Division
Goodman Manufacturing Company, L.P.
19001 Kermier Road
Waller, Texas 77484
713-861-2500-Telephone
713-863-2382-Facsimile

Functional Parts

Part No: **Description:**

20162904	*PRIMARY LIMIT-TEMPERATURE CONTROL (M5, M10) *Refer to service bulletin SF-054
10735102	BECKETT BURNER (QTY A/R)
D6723311	BLOWER WHEEL (M3, M4, M5, M8, M9, M10)
B1368047	BLOWER WHEEL 10 X 10 (M2, M7)
B1368016	BLOWER WHEEL 10 X 8 (M1, M6)
0130F00010	FLAME SENSOR
0257F00205	HEAT EXCHANGER ASSY (M3)
0257F00206	HEAT EXCHANGER ASSY (M8)
0257F00137	HEAT EXCHANGER ASSY 2B (M1)
0257F00143	HEAT EXCHANGER ASSY 2B (M6)
0257F00139	HEAT EXCHANGER ASSY 3B (M7)
0257F00138	HEAT EXCHANGER ASSY 3B (M2)
0257F00135	HEAT EXCHANGER ASSY 4B (M4)
0257F00140	HEAT EXCHANGER ASSY 4B (M9)
0257F00180	HEAT EXCHANGER ASSY 5B (M10)
0257F00174	HEAT EXCHANGER ASSY 5B (M5)
0130F00008	IGNITOR-SINI 17 SEC
0130M00141	INDUCTOR, 5.9 AMPS (GMPE100-4) (M2, M3, M4, M5, M7, M8, M9, M10)
10690402	INTERLOCK SWITCH
0130F00105	LIMIT SWITCH (M3, M8)
10123533	LIMIT-RESET MAN-YELLOW (M2, M3, M5, M7, M8, M10)
10123518	MANUAL RESET LIMIT (M1, M6)
10123536	MANUAL RESET LIMIT 180°F (M4, M9)
10123537	MANUAL RESET LIMIT-GRAY (M2, M4, M7, M9)
10123535	MANUAL RESET LIMIT-RED (M1, M6)
0130F00336	MEMORY CHIP (M5)
0130F00335	MEMORY CHIP (M4)
0130F00318	MEMORY CHIP (M6)
0130F00322	MEMORY CHIP (M10)
0130F00321	MEMORY CHIP (M9)
0130F00320	MEMORY CHIP (M8)
0130F00334	MEMORY CHIP (M3)
0130F00333	MEMORY CHIP (M2)
0130F00319	MEMORY CHIP (M7)
0130F00332	MEMORY CHIP (M1)
0131M00272	MOTOR, 1 HP, SERIAL ECM (M3, M4, M5, M8, M9, M10)
0131M00270	MOTOR, 1/2 HP, SERIAL ECM (M1, M6)
0131M00271	MOTOR, 3/4 HP, SERIAL ECM (M2, M7)
PCBKF105	PCB CONTROL BOARD
11177113	PRESSURE SWITCH-GRAY (M1, M2, M6, M7)
11177114	PRESSURE SWITCH-OLIVE (M4, M5, M9, M10)
20197308	PRESSURE SWITCH-YELLOW
20162907	PRIMARY LIMIT (M2, M7)
20162905	PRIMARY LIMIT-YELLOW (M1, M4, M6, M9)
0130F00251	SWITCH-PRESSURE (M3, M8)
0130M00140	TRANSFORMER 120V TO 24V, 40VA
0151M00028	VALVE,GAS(HW)VR92

SPECIAL PARTS

0161M00032	AMANA NAMEPLATE (M1, M2, M3, M4, M5)
0161F00086	GOODMAN NAMEPLATE (M6, M7, M8, M9, M10)

Expanded Model Nomenclature

M1 - AMVC950453BXBA
M2 - AMVC950704CXBA
M3 - AMVC950905CXBA
M4 - AMVC950905DXBA
M5 - AMVC951155DXBA
M6 - GMVC950453BXBA
M7 - GMVC950704CXBA
M8 - GMVC950905CXBA
M9 - GMVC950905DXBA
M10 - GMVC951155DXBA

Cabinet Assembly

IMAGE 1

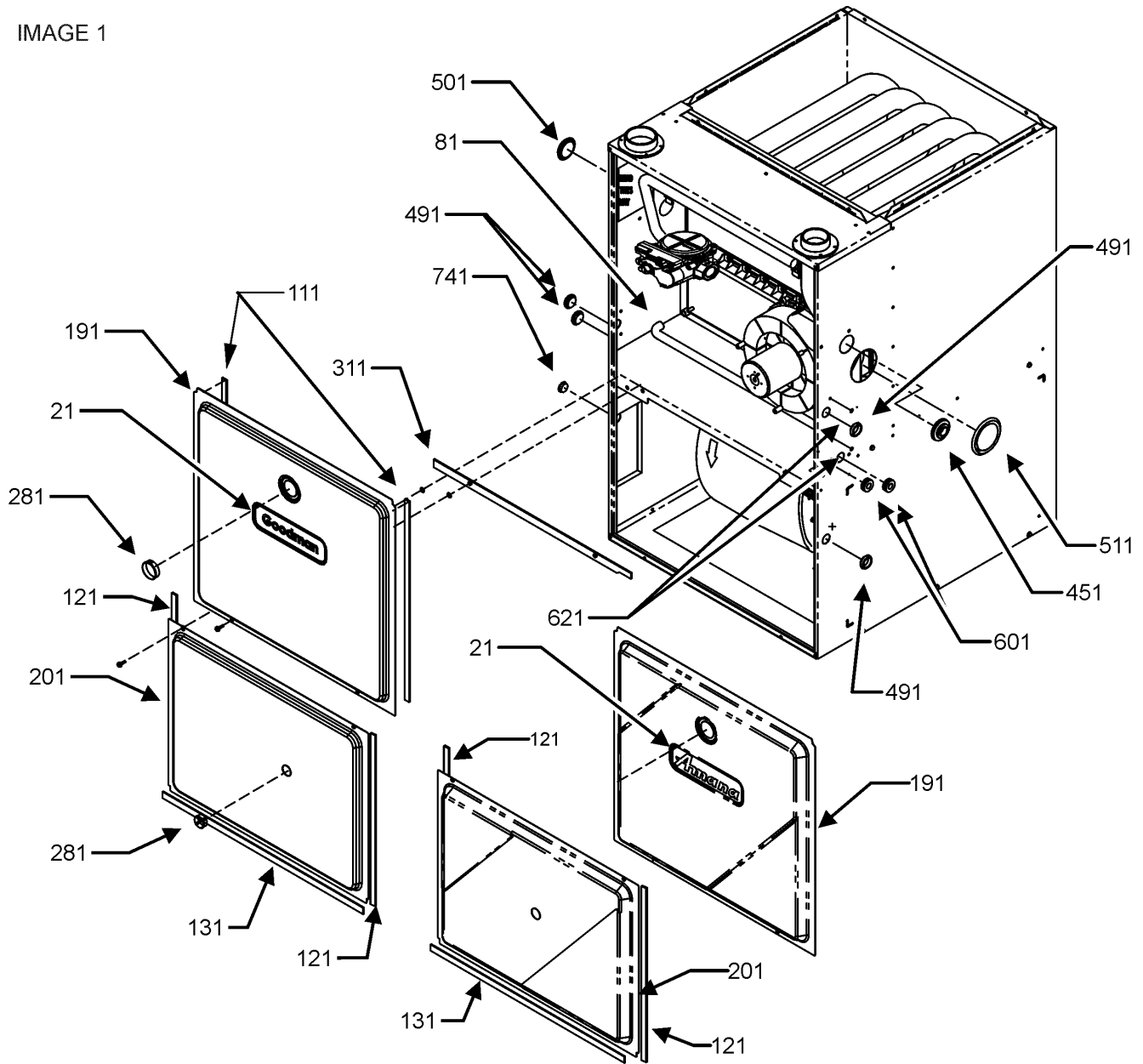
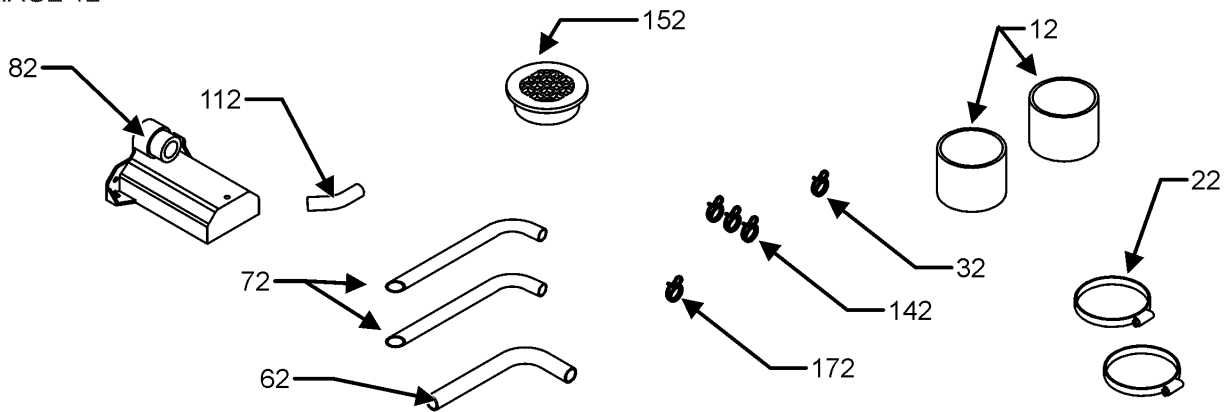


IMAGE 12



Cabinet Assembly

Ref. Part No: No:	Description:	Ref. Part No: No:	Description:
-------------------	--------------	-------------------	--------------

Image 1:

21	0161M00032	AMANA NAMEPLATE (M1, M2, M3, M4, M5)
21	0161F00086	GOODMAN NAMEPLATE (M6, M7, M8, M9, M10)
81	20201902	DRAIN HOSE
111	20179308	GASKET (QTY 2)
121	20179311	GASKET (QTY 2)
131	20179312	GASKET (M2, M3, M7, M8)
131	20179313	GASKET (M4, M5, M9, M10)
131	20194605	GASKET (M1, M6)
191	0121F00066LG	ACCESS DOOR (M1)
191	0121F00067LG	ACCESS DOOR (M2, M3)
191	0121F00068LG	ACCESS DOOR (M4, M5)
191	0121F00072DG	ACCESS DOOR (M6)
191	0121F00073DG	ACCESS DOOR (M7, M8)
191	0121F00074DG	ACCESS DOOR (M9, M10)
201	0121F00063LG	BLOWER DOOR (M1)
201	0121F00064LG	BLOWER DOOR (M2, M3)
201	0121F00065LG	BLOWER DOOR (M4, M5)
201	0121F00069DG	BLOWER DOOR (M6)
201	0121F00070DG	BLOWER DOOR (M7, M8)
201	0121F00071DG	BLOWER DOOR (M9, M10)
281	B1392139	VIEW PORT BUSHING-BLOWER DOOR (QTY 2)
311	22320001	DECK GASKET (M1, M6)
311	22320002	DECK GASKET (M2, M3, M7, M8)
311	22320003	DECK GASKET (M4, M5, M9, M10)
451	M0501301	PIPE GROMMET
491	M0570808	BUTTON PLUG (QTY 4)
501	M0570806	BUTTON PLUG
511	M0570807	BUTTON PLUG
601	A4691701	GROMMET (QTY 2)
621	M0310345	BUTTON PLUG (QTY 2)
741	B1392104	UNIVERSAL BUSHING UB 875
NS	10195517	STANDPIPE BAG ASSY

Image 2:

12	10254303	RUBBER COUPLING
22	0163M00049	HOSE CLAMP (QTY 2)
32	M0119207	HOSE CLAMP
62	20201901	DRAIN HOSE
72	20201802	DRAIN TUBE (QTY 2)
82	20171701	DRAIN TRAP
112	20214203	DRAIN ANGLE
142	M0119205	HOSE CLAMP (QTY 3)
152	B2810816	2" MESH INSERT
172	M0119206	HOSE CLAMP

Expanded Model Nomenclature

- | |
|----------------------|
| M1 - AMVC950453BXBA |
| M2 - AMVC950704CXBA |
| M3 - AMVC950905CXBA |
| M4 - AMVC950905DXBA |
| M5 - AMVC951155DXBA |
| M6 - GMVC950453BXBA |
| M7 - GMVC950704CXBA |
| M8 - GMVC950905CXBA |
| M9 - GMVC950905DXBA |
| M10 - GMVC951155DXBA |

Blower Assembly

IMAGE 1

*If end bells are needed please order the following:
 0131M00182 - 1/2 HP
 0131M00183 - 3/4 HP
 0131M00184 - 1 HP

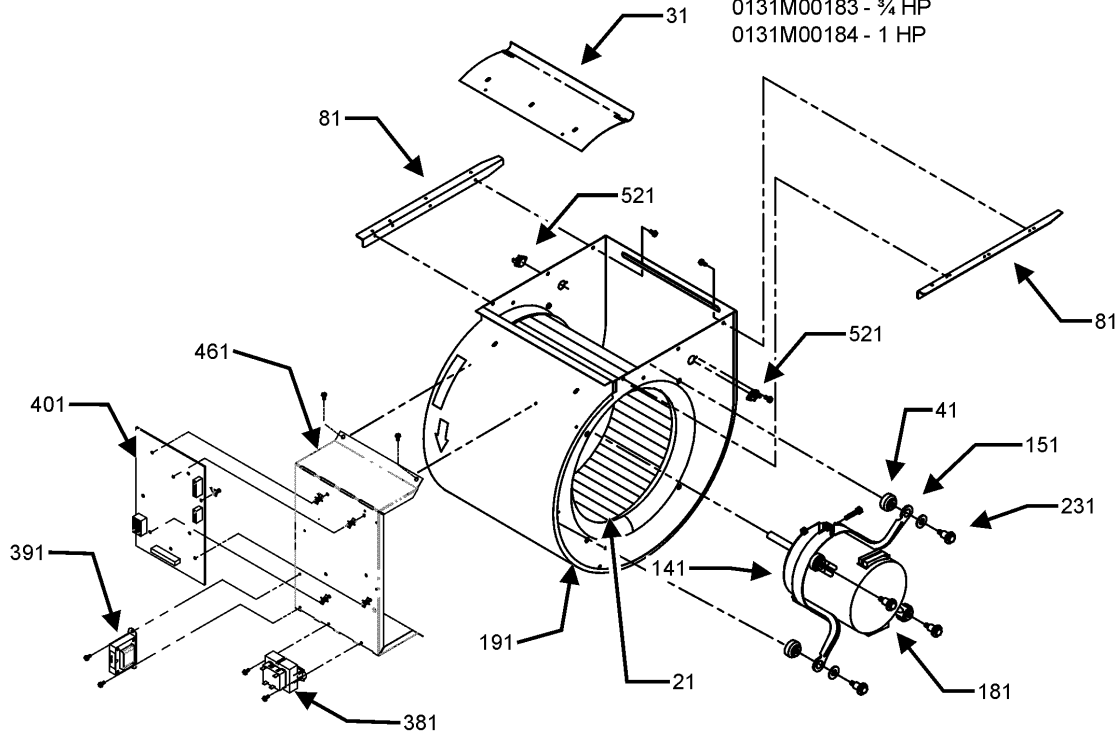
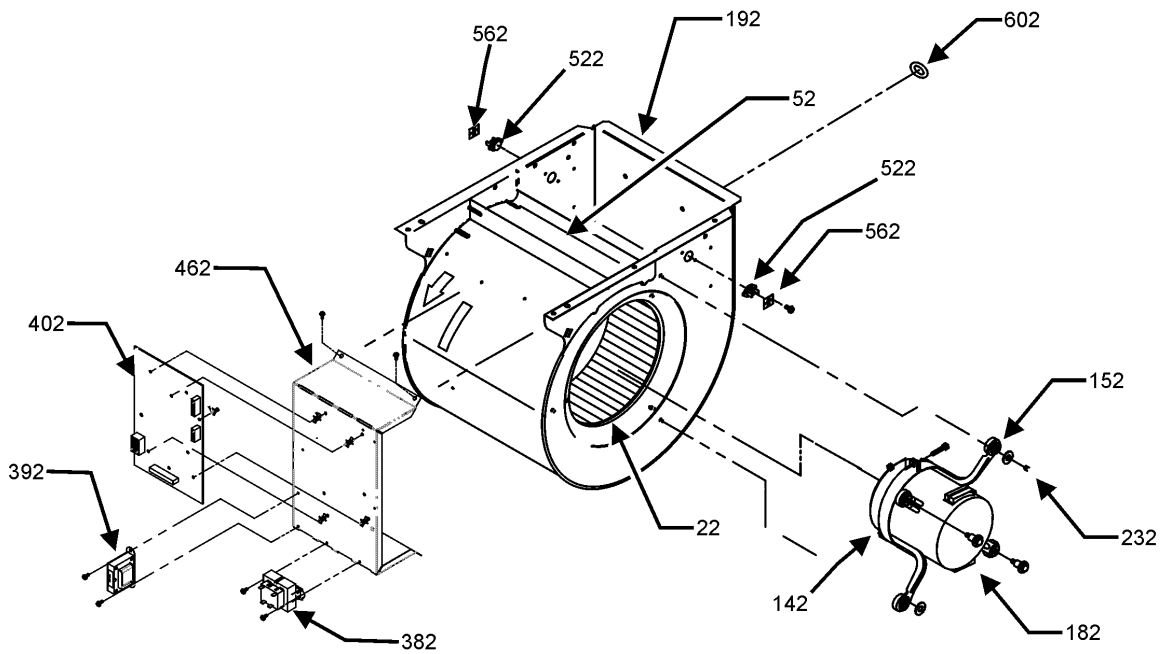


IMAGE 2



Blower Assembly

**Ref. Part
No: No:**

Description:

**Ref. Part
No: No:**

Description:

Image 1:

21	D6723311	BLOWER WHEEL (M3, M4, M5, M8, M9, M10)
31	C6121807	BLOWER CUT-OFF (M3, M4, M5, M8, M9, M10)
41	A4002702	BLOWER MOTOR GROMMET (M3, M4, M5, M8, M9, M10)
141	10441601	MOTOR MOUNT BAND (M3, M4, M5, M8, M9, M10)
151	10441501	MOTOR MOUNT ARM (M3, M4, M5, M8, M9, M10)
181	0131M00272	MOTOR, 1 HP, SERIAL ECM (M3, M4, M5, M8, M9, M10)
191	0271F00047	BLOWER HOUSING ASSY 11 X 10 (M3, M4, M5, M8, M9, M10)
231	0163F00028	SCREW (M3, M4, M8, M9)
231	M0221461	TC SCREW (M5, M10)
381	0130M00140	TRANSFORMER 120V TO 24V, 40VA (M3, M4, M5, M8, M9, M10)
391	0130M00141	INDUCTOR, 5.9 AMPS (GMPE100-4) (M3, M4, M5, M8, M9, M10)
401	PCBKF105	PCB CONTROL BOARD (M3, M4, M5, M8, M9, M10)
461	0121F00094	CONTROL MOUNT PANEL (M3, M4, M5, M8, M9, M10)
521	10123536	MANUAL RESET LIMIT 180°F (M4, M9)
521	10123533	MANUAL RESET LIMIT-YELLOW (M3, M5, M8, M10)
NS	0259F00024	BLOWER WIRE HARNESS
NS	0259F00040	CONTROL HARNESS
NS	0130F00320	MEMORY CHIP (M8)
NS	0130F00321	MEMORY CHIP (M9)
NS	0130F00322	MEMORY CHIP (M10)
NS	0130F00334	MEMORY CHIP (M3)
NS	0130F00335	MEMORY CHIP (M4)
NS	0130F00336	MEMORY CHIP (M5)
NS	0259F00041	POWER HARNESS
NS	0159F00022	WIRING HARNESS

Expanded Model Nomenclature

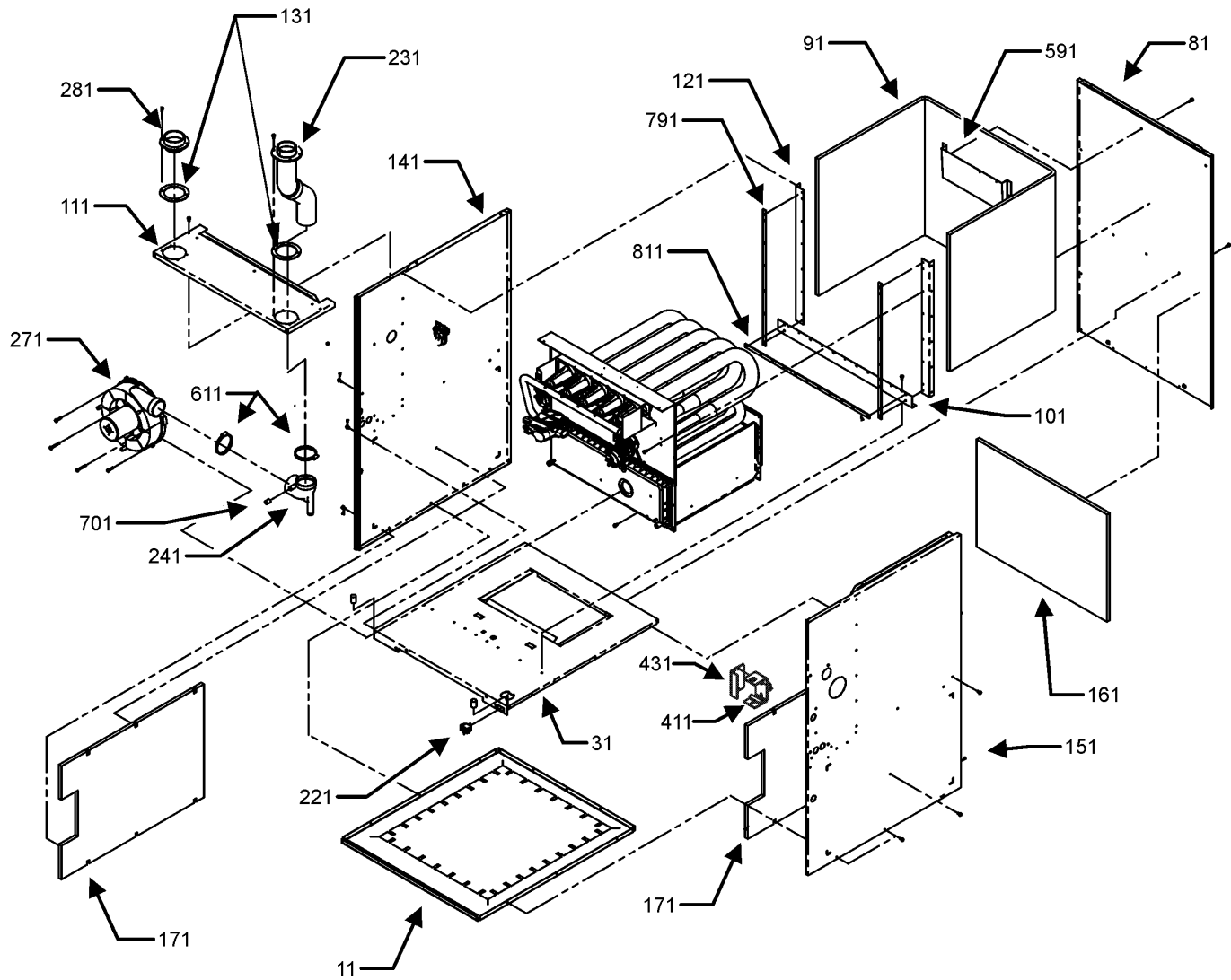
M1 - AMVC950453BXBA
M2 - AMVC950704CXBA
M3 - AMVC950905CXBA
M4 - AMVC950905DXBA
M5 - AMVC951155DXBA
M6 - GMVC950453BXBA
M7 - GMVC950704CXBA
M8 - GMVC950905CXBA
M9 - GMVC950905DXBA
M10 - GMVC951155DXBA

*If end bells are needed please order the following:
 0131M00182 - 1/2 HP
 0131M00183 - 3/4 HP
 0131M00184 - 1 HP

Image 2:

22	B1368047	BLOWER WHEEL 10 X 10 (M2, M7)
22	B1368016	BLOWER WHEEL 10 X 8 (M1, M6)
52	764741	BLOWER BLOCK-OFF 10 X 10 (M2, M7)
52	764740	BLOWER BLOCK-OFF 10 X 8 (M1, M6)
142	0121M00038	MOTOR MOUNT BAND (M1, M2, M6, M7)
152	B1376857	MOTOR MOUNT ARM (M1, M2, M6, M7)
182	0131M00270	MOTOR, 1/2 HP, SERIAL ECM (M1, M6)
182	0131M00271	MOTOR, 3/4 HP, SERIAL ECM (M2, M7)
192	0271F00004P	BLOWER HOUSING ASSY 10 X 10 (M2, M7)
192	0271F00074	BLOWER HOUSING ASSY 10 X 8 (M1, M6)
232	M0250565	TC SCREW 1.25" (M1, M2, M6, M7)
382	0130M00140	TRANSFORMER 120V TO 24V, 40VA (M1, M2, M6, M7)
392	0130M00141	INDUCTOR, 5.9 AMPS (GMPE100-4) (M2, M7)
402	PCBKF105	PCB CONTROL BOARD (M1, M2, M6, M7)
462	0121F00094	CONTROL MOUNT PANEL (M1, M2, M6, M7)
522	10123537	MANUAL RESET LIMIT-GRAY (M2, M7)
522	10123535	MANUAL RESET LIMIT-RED (M1, M6)
562	2509503F	AUXILIARY LIMIT BRACKET (M1, M2, M6, M7)
602	B1392021	PLASTIC PLUG, 1" (2713-BLK) (M1, M2, M6, M7)
NS	0259F00040	CONTROL HARNESS
NS	0130F00318	MEMORY CHIP (M6)
NS	0130F00319	MEMORY CHIP (M7)
NS	0130F00332	MEMORY CHIP (M1)
NS	0130F00333	MEMORY CHIP (M2)
NS	0259F00041	POWER HARNESS HIGH VOLTAGE
NS	0259F00024	WIRE HARNESS-BLOWER
NS	0159F00022	WIRING HARNESS

Chassis Assembly



Chassis Assembly

**Ref. Part
No: No:**

Description:

**Ref. Part
No: No:**

Description:

Image 1:

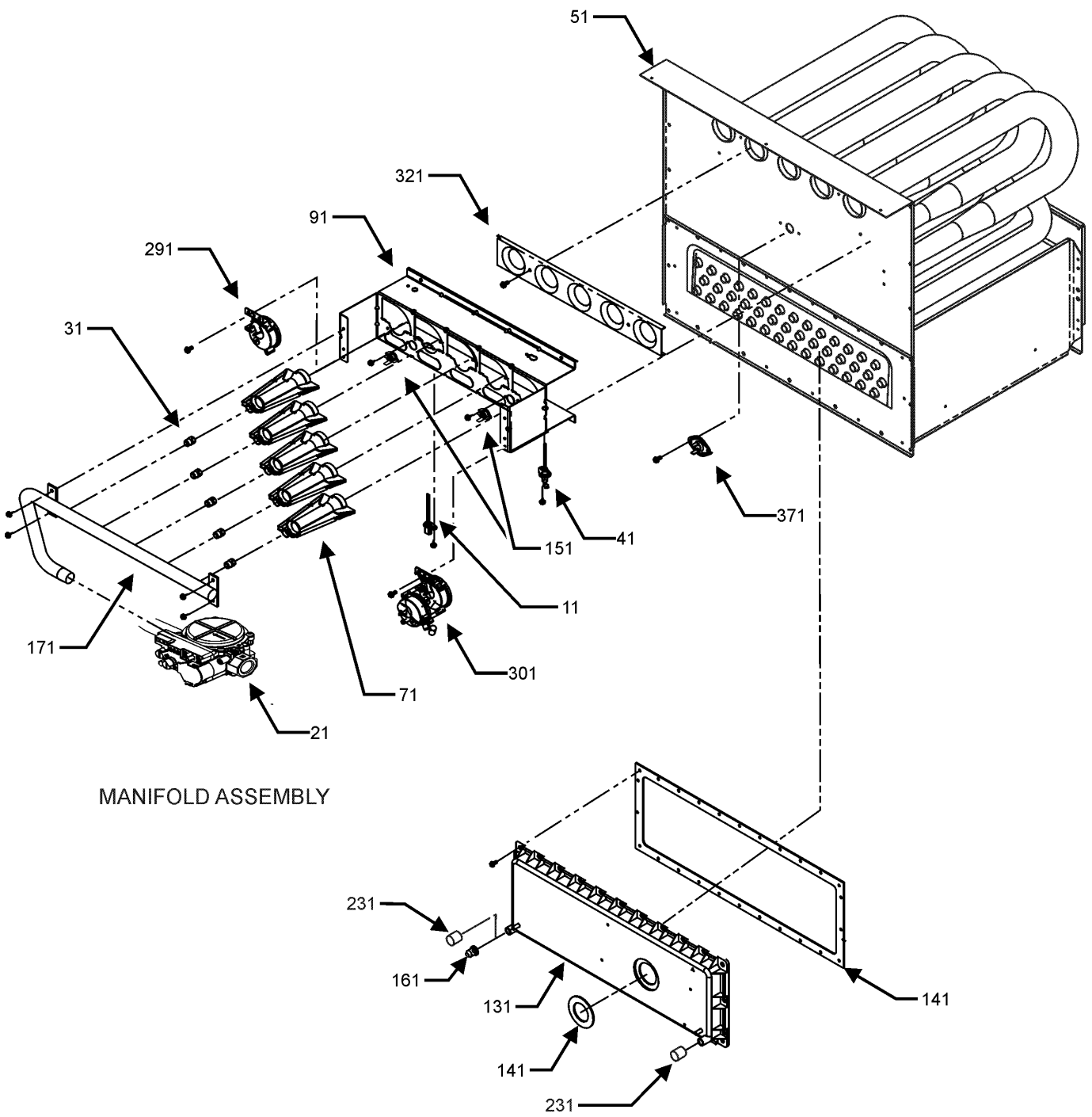
11	0121F00050DG	BASE PAN (M1, M6)
11	0121F00051DG	BASE PAN (M2, M3, M7, M8)
11	0121F00052DG	BASE PAN (M4, M5, M9, M10)
31	0121F00043	BLOWER DECK (M1, M6)
31	0121F00045	BLOWER DECK (M2, M7)
31	0121F00048	BLOWER DECK (M4, M5, M9, M10)
31	0121F00246	BLOWER DECK (M3, M8)
81	20273208	BACK PANEL (M1, M6)
81	20273209	BACK PANEL (M2, M3, M7, M8)
81	20273211	BACK PANEL (M4, M5, M9, M10)
91	C6415909	HEAT EXCHANGER INSULATION (M4, M5, M9, M10)
91	C6415910	HEAT EXCHANGER INSULATION (M1, M6)
91	C6415911	HEAT EXCHANGER INSULATION (M2, M3, M7, M8)
101	0121F00018P	DECK RAIL (M1, M6)
101	0121F00019P	DECK RAIL (M2, M3, M7, M8)
101	20191303	DECK RAIL (M4, M5, M9, M10)
111	0270F00100P	TOP COVER ASSY (M1, M6)
111	0270F00101P	TOP COVER ASSY (M2, M3, M7, M8)
111	0270F00102P	TOP COVER ASSY (M4, M5, M9, M10)
121	20191602	SIDE RAIL (M1, M6)
121	20191603	SIDE RAIL (M2, M3, M7, M8)
121	20191604	SIDE RAIL (M4, M5, M9, M10)
131	0154F00000P	COIL GASKET (M1, M6)
131	0154F00001P	COIL GASKET (M2, M3, M7, M8)
131	0154F00002P	COIL GASKET (M4, M5, M9, M10)
141	0121F00429DG	PANEL- SIDE LH UF FUR PNT
151	0121F00428DG	PANEL- SIDE RH UF FUR PNT
161	20006601	INSULATION (M1, M6)
161	20006602	INSULATION (M2, M3, M7, M8)
161	20006603	INSULATION (M4, M5, M9, M10)
171	20243503	SIDE INSULATION (QTY 2)
221	10690402	INTERLOCK SWITCH
231	22309501	FLUE PIPE
241	20171802	ELBOW
271	0271F00126	ID BLOWER ASSEMBLY
281	20049701	FA COUPLING
411	0161F00012	JUNCTION BOX-PLA
431	0161F00013	JUNCTION BOX-LID
591	11165107	ID BLOWER SHIELD
611	0163M00049	HOSE CLAMP (QTY 2)
701	M0326804	TUBE PLUG
791	20194608	GASKET (QTY 2)
811	20194605	GASKET (M1, M6)
811	20194606	GASKET (M2, M3, M7, M8)
811	20194607	GASKET (M4, M5, M9, M10)
NS	0164M00030	21" PRESSURE SWITCH HOSES (M2)
NS	0164M00029	25" PRESSURE SWITCH HOSES (M3)
NS	0164M00014	HOSE-PRESSURE SW (M5)
NS	0164M00019	HOSE-PRESSURE SW 6" (M4, M9)
NS	0164M00016	HOSE-PRESSURE SWITCH (M4)
NS	0164M00002	PRESSURE SWITCH HOSE (M1, M2, M3, M4, M5, M6, M7, M8, M10)
NS	0164M00007	PRESSURE SWITCH HOSE (M3)
NS	0164M00008	PRESSURE SWITCH HOSE (M1, M2, M5, M6, M7, M8, M10)
NS	0164M00011	PRESSURE SWITCH HOSE (M6)
NS	0164M00012	PRESSURE SWITCH HOSE (M1)
NS	0164M00013	PRESSURE SWITCH HOSE

Expanded Model Nomenclature

M1 - AMVC950453BXBA
M2 - AMVC950704CXBA
M3 - AMVC950905CXBA
M4 - AMVC950905DXBA
M5 - AMVC951155DXBA
M6 - GMVC950453BXBA
M7 - GMVC950704CXBA
M8 - GMVC950905CXBA
M9 - GMVC950905DXBA
M10 - GMVC951155DXBA

Heat Exchange Assembly

HEAT EXCHANGE ASSEMBLY



Heat Exchange Assembly

Ref. Part No: No:	Description:	Ref. Part No: No:	Description:
Image 1:		Image 1:	
11	0130F00008	IGNITOR-SINI 17 SEC	
21	0151M00028	VALVE,GAS(HW)VR92	
31	10716003	ORIFICE (QTY A/R)	
41	0130F00010	FLAME SENSOR	
51	0257F00205	HEAT EXCHANGER ASSY (M3)	
51	0257F00206	HEAT EXCHANGER ASSY (M8)	
51	0257F00137	HEAT EXCHANGER ASSY 2B (M1)	
51	0257F00143	HEAT EXCHANGER ASSY 2B (M6)	
51	0257F00138	HEAT EXCHANGER ASSY 3B (M2)	
51	0257F00139	HEAT EXCHANGER ASSY 3B (M7)	
51	0257F00135	HEAT EXCHANGER ASSY 4B (M4)	
51	0257F00140	HEAT EXCHANGER ASSY 4B (M9)	
51	0257F00174	HEAT EXCHANGER ASSY 5B (M5)	
51	0257F00180	HEAT EXCHANGER ASSY 5B (M10)	
71	10735102	BECKETT BURNER (QTY A/R)	
91	0121L02164	BRKT-BURNER 3B FUR (M2, M7)	
91	20190410	BURNER BRACKET 2B (M1, M6)	
91	20190412	BURNER BRACKET 4B (M3, M4, M8, M9)	
91	20190413	BURNER BRACKET 5B (M5, M10)	
131	20170804A	FRONT COVER (M1, M6)	
131	20170903A	FRONT COVER (M2, M7)	
131	20170906A	FRONT COVER (M3, M8)	
131	20171003A	FRONT COVER (M4, M9)	
131	20171004A	FRONT COVER (M5, M10)	
141	0154F00000P	COIL GASKET (M1, M6)	
141	0154F00001P	COIL GASKET (M2, M3, M7, M8)	
141	0154F00002P	COIL GASKET (M4, M5, M9, M10)	
151	10123518	MANUAL RESET LIMIT (M1, M6)	
151	10123537	MANUAL RESET LIMIT-GRAY (M4, M9)	
151	10123533	MANUAL RESET LIMIT-YELLOW (M2, M3, M5, M7, M8, M10)	
161	M0326804	TUBE PLUG	
171	20196401	MANIFOLD - 2 BRNR (M1, M6)	
171	20196402	MANIFOLD - 3 BRNR (M2, M7)	
171	20196403	MANIFOLD - 4 BRNR (M3, M4, M8, M9)	
171	20196404	MANIFOLD - 5 BRNR (M5, M10)	
231	A1781105	CAP-VINYL .500 (QTY 2)	
291	20197308	PRESSURE SWITCH-YELLOW	
301	11177113	PRESSURE SWITCH-GRAY (M1, M2, M6, M7)	
301	11177114	PRESSURE SWITCH-OLIVE (M4, M5, M9, M10)	
301	0130F00251	SWITCH-PRESSURE (M3, M8)	
321	11072201	ORIFICE SHIELD (M1, M6)	
321	11072202	ORIFICE SHIELD (M2, M7)	
321	11072203	ORIFICE SHIELD (M3, M4, M8, M9)	
321	11072204	ORIFICE SHIELD (M5, M10)	
371	20162904	*PRIMARY LIMIT-TEMPERATURE CONTROL (M5, M10)	
		*Refer to service bulletin SF-054	
371	0130F00105	LIMIT SWITCH (M3, M8)	
371	20162907	PRIMARY LIMIT (M2, M7)	
371	20162905	PRIMARY LIMIT-YELLOW (M1, M4, M6, M9)	
NS	22320701	REAR COVER GASKET, HEAT EXCHANGER (M1, M6)	
NS	22320702	REAR COVER GASKET, HEAT EXCHANGER (M2, M3, M7, M8)	
NS	22320703	REAR COVER GASKET, HEAT EXCHANGER (M4, M5, M9, M10)	
NS	20167201	REAR COVER, HEAT EXCHANGER (M1, M6)	
NS	20167202	REAR COVER, HEAT EXCHANGER (M2, M3, M7, M8)	

Expanded Model Nomenclature

M1 - AMVC950453BXBA
M2 - AMVC950704CXBA
M3 - AMVC950905CXBA
M4 - AMVC950905DXBA
M5 - AMVC951155DXBA
M6 - GMVC950453BXBA
M7 - GMVC950704CXBA
M8 - GMVC950905CXBA
M9 - GMVC950905DXBA
M10 - GMVC951155DXBA