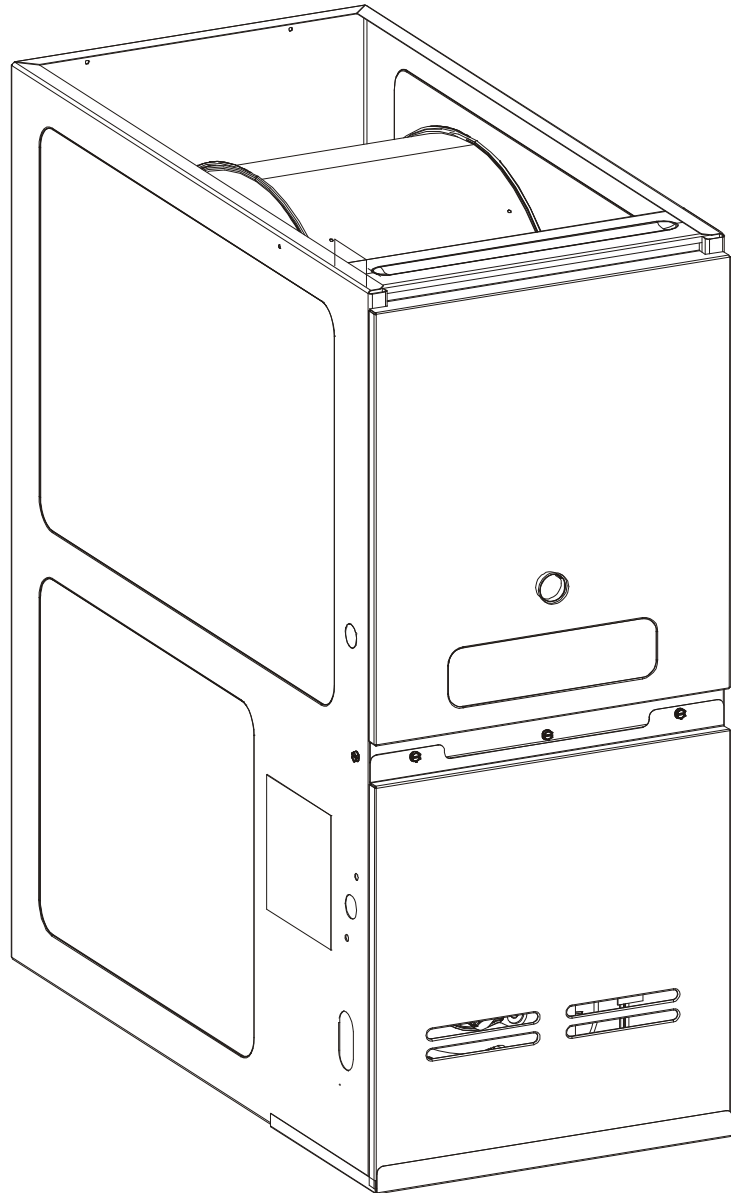


ADVC8 80% Variable Speed Communicating Furnace

ADVC80603BNAA
ADVC80603BNBA
ADVC80603BNBB
ADVC80603BXAA
ADVC80603BXBA
ADVC80603BXBB
ADVC80703BXAA
ADVC80805CNAA
ADVC80805CNBA
ADVC80805CNBB
ADVC80805CXAA
ADVC80805CXBA
ADVC80805CXBB
ADVC80905CXAA
ADVC81005CNAA
ADVC81005CNBA
ADVC81005CNBB
ADVC81005CXAA
ADVC81005CXBA
ADVC81005CXBB
ADVC81155CXAA



Amana® is a registered trademark of Maytag Corporation or its related companies and is used under license. All rights reserved.

This manual is to be used by qualified technicians only.

This manual replaces RP-584C.

© 2009, 2012, 2018 Goodman Company, L.P. ♦ 5151 San Felipe St, Suite 500 ♦ Houston, TX 77056

Important Information

Index

Functional Parts List	3
Illustration and Parts	4 - 9

Views shown are for parts illustrations only, not servicing procedures.

Text Codes:

AR - As Required

NA - Not Available

NS - Not Shown

00000000 - See Note

QTY - Quantity Example (QTY 3) (If Quantity not shown, Quantity = 1)

M - Model Example (M1) (If M Code not shown, then part is used on all Models)

Expanded Model Nomenclature:

Example M1 - Model#1 M2 - Model#2 M3 - Model#3

Goodman Company, L.P. is not responsible for personal injury or property damage resulting from improper service. Review all service information before beginning repairs.

Warranty service must be performed by an authorized technician, using authorized factory parts. If service is required after the warranty expires, Goodman Company, L.P. also recommends contacting an authorized technician and using authorized factory parts.

Goodman Company, L.P. reserves the right to discontinue, or change at any time, specifications or designs without notice or without incurring obligations.

For assistance within the U.S.A. contact:

Homeowner Support
Goodman Company, L.P.
19001 Kermier Road
Waller, Texas 77484
877-254-4729-Telephone
713-863-2382-Facsimile

For assistance outside the U.S.A. contact:

International Division
Goodman Company, L.P.
19001 Kermier Road
Waller, Texas 77484
713-861-2500-Telephone
713-863-2382-Facsimile

Functional Parts

Part

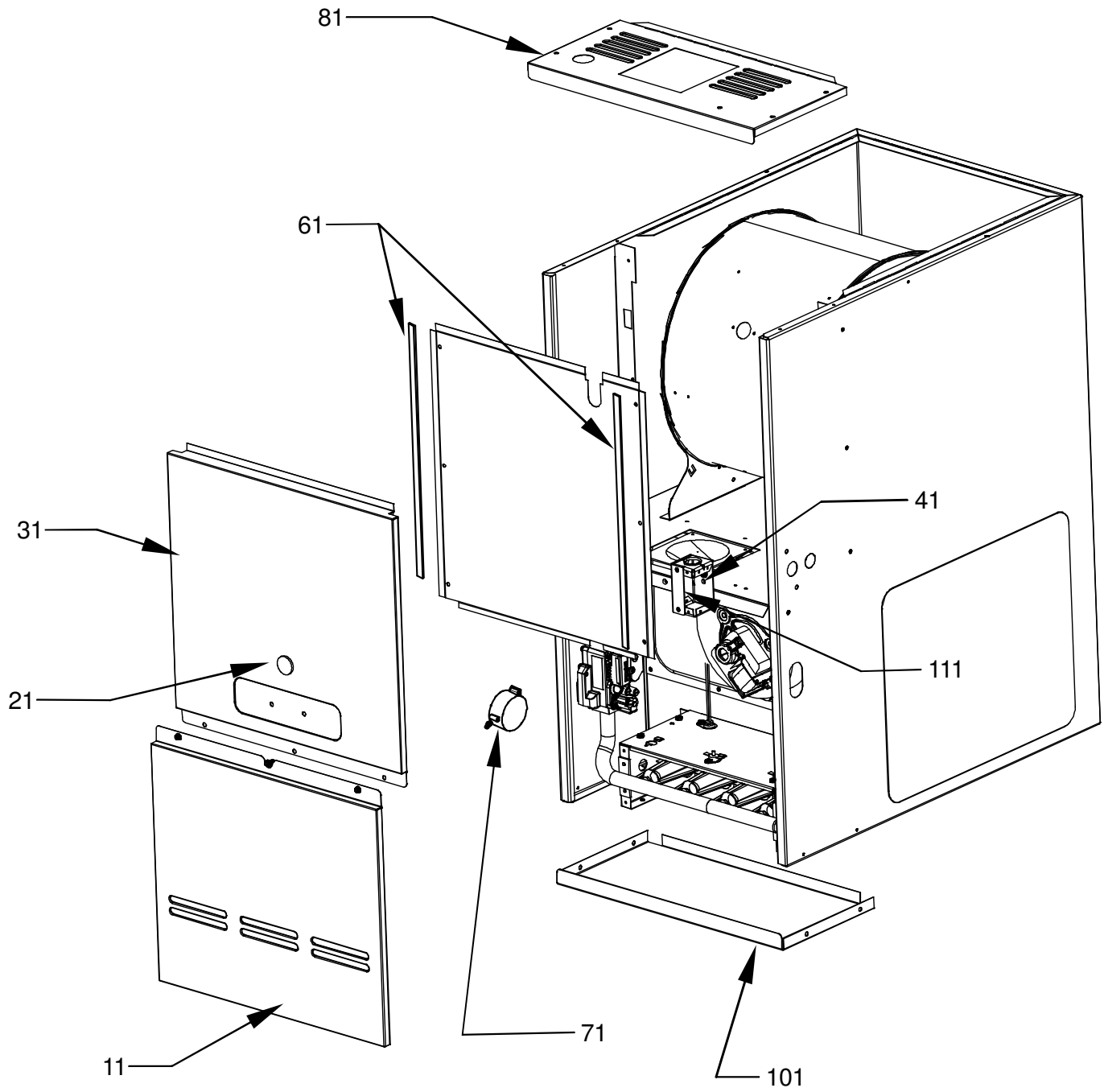
No: **Description:**

Part No:	Description:	Expanded Model Nomenclature
0130F00049	AIR PRESSURE SWITCH (M9, M10, M12, M13, M16, M17, M20)	M1 - ADVC80603BNAA
0130F00247	DATA, FURNACE PCB (M16)	M2 - ADVC80603BNBA
0130F00064	DATA, FURNACE PCB (M7)	M3 - ADVC80603BNBB
0130F00065	DATA, FURNACE PCB (M14)	M4 - ADVC80603BXAA
0130F00066	DATA, FURNACE PCB (M21)	M5 - ADVC80603BXBA
0130F00227	DATA, FURNACE PCB (M1)	M6 - ADVC80603BXBB
0130F00228	DATA, FURNACE PCB (M8)	M7 - ADVC80703BXAA
0130F00229	DATA, FURNACE PCB (M15)	M8 - ADVC80805CNAA
0130F00230	DATA, FURNACE PCB (M4)	M9 - ADVC80805CNBA
0130F00231	DATA, FURNACE PCB (M11)	M10 - ADVC80805CNBB
0130F00232	DATA, FURNACE PCB (M18)	M11 - ADVC80805CXAA
0130F00246	DATA, FURNACE PCB (M9)	M12 - ADVC80805CXBA
0130F00248	DATA, FURNACE PCB (M5)	M13 - ADVC80805CXBB
0130F00249	DATA, FURNACE PCB (M12)	M14 - ADVC80905CXAA
0130F00250	DATA, FURNACE PCB (M19)	M15 - ADVC81005CNAA
0130F00245	DATA, FURNACE PCB (M2)	M16 - ADVC81005CNBA
0130F00257	DATA, FURNACE PCB (M20)	M17 - ADVC81005CNBB
0130F00010	FLAME SENSOR	M18 - ADVC81005CXAA
0130F00008	IGNITOR-SINI 17 SEC	M19 - ADVC81005CXBA
B1141666	INDUCTOR-5.9 AMP	M20 - ADVC81005CXBB
B1370818	INTERLOCK SWITCH	M21 - ADVC81155CXAA
0130F00067	LIMIT (M1, M2, M3, M4, M5, M6, M7, M8, M9, M10, M11, M12, M13, M14)	
0130F00071	LIMIT SWITCH (M15, M18, M21)	
10123529	MANUAL RESET LIMIT	
0130F00065	MEMORY CHIP (M8, M9, M11, M12, M14)	
0130F00252	MEMORY CHIP (M3)	
0130F00254	MEMORY CHIP (M10)	
0130F00255	MEMORY CHIP (M13)	
0130F00064	MEMORY CHIP (M1, M2, M4, M5, M7)	
0130F00256	MEMORY CHIP (M17)	
0130F00257	MEMORY CHIP (M20)	
0130F00066	MEMORY CHIP (M15, M16, M18, M19, M21)	
0130F00253	MEMORY CHIP (M6)	
0131M00271	MOTOR, 3/4 HP, SERIAL ECM	
0131M00003P	MOTOR, VENT 2-STAGE	
PCBKF103	PCB, CONTROL, FURNACE	
B1370210	PRESSURE SWITCH, PINK (M1, M2, M3, M4, M5, M6, M7, M8, M11, M14, M15, M18, M19, M21)	
0130F00038	PRIMARY LIMIT - LT BLUE 120°	
0130F00036	PRIMARY LIMIT, PINK 180°	
B1141605	TRANSFORMER 120V TO 24V, 40 VA	
0151M00028	VALVE,GAS(HW)VR92	

SPECIAL PARTS

0161F00006	AMANA NAMEPLATE
0259F00066	INDUCER HARNESS ASSY

Cabinet



Cabinet

Ref. Part No:	No:	Description:	Ref. Part No:	No:	Description:
Image 1:			Expanded Model Nomenclature		
11	0121F00119LG	CONTROL ACCESS DOOR 17.5" (M1, M2, M3, M4, M5, M6, M7)	M1 -	ADVC80603BNAA	
11	0121F00120LG	CONTROL ACCESS DOOR 21" (M8, M9, M10, M11, M12, M13, M14, M15, M16, M17, M18, M19, M20, M21)	M2 -	ADVC80603BNBA	
21	B1392139	VIEW PORT BUSHING-BLOWER DOOR	M3 -	ADVC80603BNBB	
31	0121F00123LG	BLOWER ACCESS DOOR 17.5" (M1, M2, M3, M4, M5, M6, M7)	M4 -	ADVC80603BXAA	
31	0121F00124LG	BLOWER ACCESS DOOR 21" (M8, M9, M10, M11, M12, M13, M14, M15, M16, M17, M18, M19, M20, M21)	M5 -	ADVC80603BXBA	
41	4014502	J-BOX	M6 -	ADVC80603BXBB	
61	B13926112	SEAL STRIP, 1/8 X 1/2 X 17.5 (M1, M2, M3, M4, M5, M6, M7)	M7 -	ADVC80703BXAA	
61	B13926113	SEAL STRIP, 1/8 X 1/2 X 21 (M8, M9, M10, M11, M12, M13, M14, M15, M16, M17, M18, M19, M20, M21)	M8 -	ADVC80805CNAA	
71	0130F00049	AIR PRESSURE SWITCH (M9, M10, M12, M13, M16, M17, M20)	M9 -	ADVC80805CNBA	
71	B1370210	PRESSURE SWITCH, PINK (M1, M2, M3, M4, M5, M6, M7, M8, M11, M14, M15, M18, M19, M21)	M10 -	ADVC80805CNBB	
81	0121F00142DG	TOP 17.5" (M1, M2, M3, M4, M5, M6, M7)	M11 -	ADVC80805CXAA	
81	0121F00143DG	TOP 21" (M8, M9, M10, M11, M12, M13, M14, M15, M16, M17, M18, M19, M20, M21)	M12 -	ADVC80805CXBA	
101	0121F00190DG	FURNACE BOTTOM 17.5" (M1, M2, M3, M4, M5, M6, M7)	M13 -	ADVC80805CXBB	
101	0121F00191DG	FURNACE BOTTOM 21" (M8, M9, M10, M11, M12, M13, M14, M15, M16, M17, M18, M19, M20, M21)	M14 -	ADVC80905CXAA	
111	4015502	J-BOX COVER	M15 -	ADVC81005CNAA	
NS	0161F00006	AMANA NAMEPLATE	M16 -	ADVC81005CNBA	
NS	0259F00066	INDUCER HARNESS ASSY	M17 -	ADVC81005CNBB	
NS	B1370818	INTERLOCK SWITCH	M18 -	ADVC81005CXAA	
NS	B1392147	UNIVERSAL BUSHING WITH SLICE	M19 -	ADVC81005CXBA	
NS	0259F00064	WIRE HARNESS ASSY (M7, M14, M21)	M20 -	ADVC81005CXBB	
NS	0259F00065	WIRE HARNESS ASSY	M21 -	ADVC81155CXAA	
NS	0259F00076	WIRE HARNESS ASSY (M1, M2, M4, M5, M8, M9, M11, M12, M15, M16, M18, M19)			
NS	0259F00080	WIRE HARNESS ASSY (M3, M6, M10, M13, M17, M20)			

Heat Exchanger Assy

Image 1

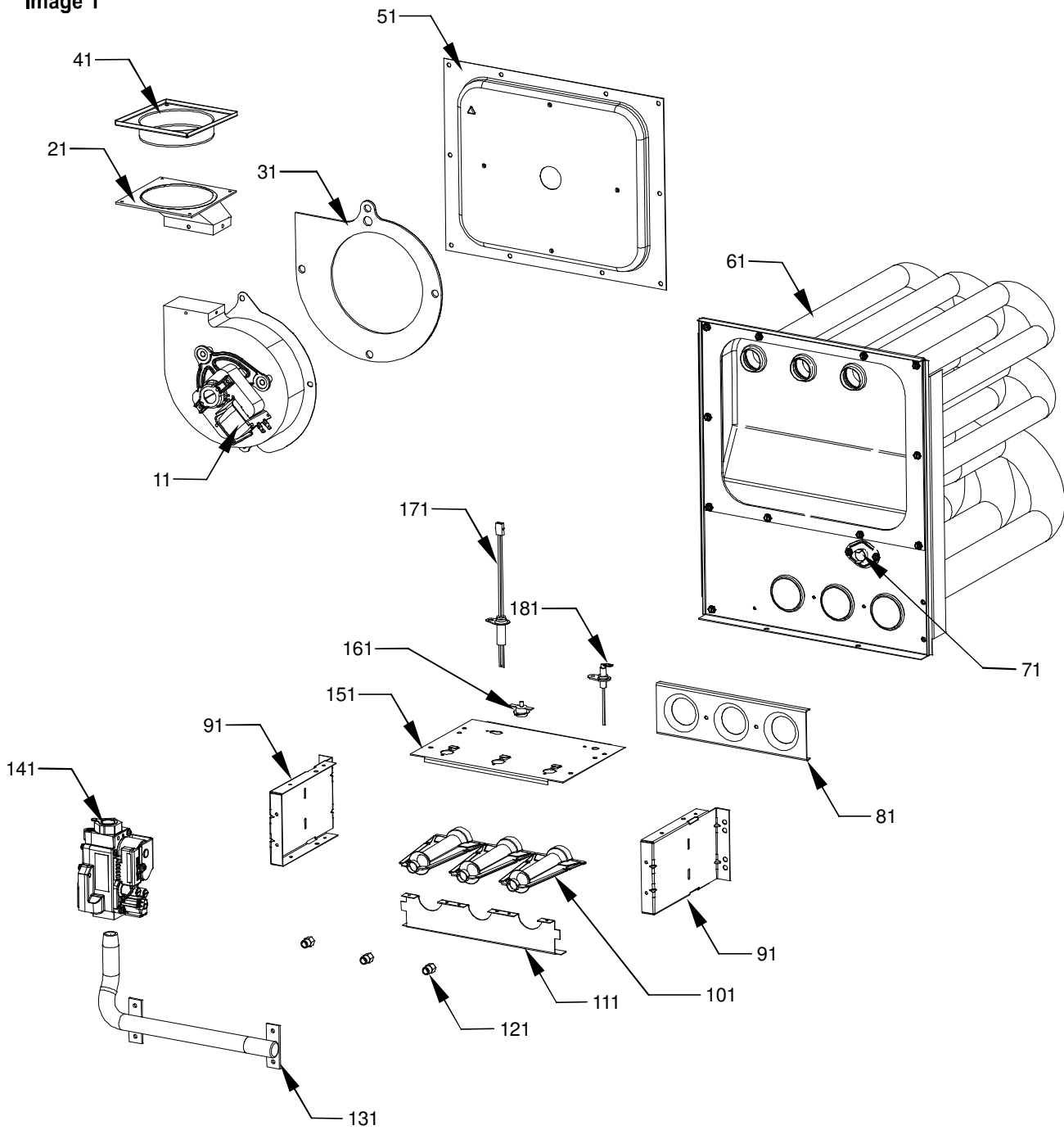
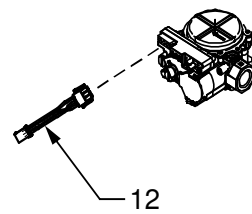


Image 2



Heat Exchanger Assy

Ref. Part No:	Ref. Part No:	Description:	Description:
Image 1:		Image 1:	
11	0131M00003P	MOTOR, VENT 2-STAGE	151 0121F00163 BURNER BOX TOP 3 CELL (M1, M2, M3, M4, M5, M6, M7)
21	0128F00006	CHIMNEY TRANSITION BOTTOM	151 0121F00164 BURNER BOX TOP 4 CELL (M8, M9, M10, M11, M12, M13, M14)
31	0154F00004	VENT MOTOR GASKET 17.5" (M1, M2, M3, M4, M5, M6, M7)	151 0121F00165 BURNER BOX TOP 5 CELL (M15, M16, M17, M18, M19, M20, M21)
31	0154F00005	VENT MOTOR GASKET 21" (M8, M9, M10, M11, M12, M13, M14, M15, M16, M17, M18, M19, M20, M21)	161 10123529 MANUAL RESET LIMIT
41	4023500	CHIMNEY TRANSITION TOP	171 0130F00008 IGNITOR-SINI 17 SEC
51	0121F00332	17.5" FLUE COLLECTOR BOX 1.375" DIA (M2, M3, M5, M6)	181 0130F00010 FLAME SENSOR
51	0121F00333	21" FLUE COLLECTOR BOX 1.75" DIA (M16, M17, M19, M20)	NS 0130F00036 PRIMARY LIMIT, PINK 180°
51	0121F00365	21" FLUE COLLECTOR BOX 1.437" DIA. (M9, M10, M12, M13)	Image 2:
51	0121F00161	FLUE COLLECTOR BOX KIT 17.5" 2.0 DIA (M1, M4, M7)	12 0259M00004 WIRE HARNESS, ADAPTOR (M7, M14, M21)
51	0121F00130	FLUE COLLECTOR BOX KIT 21" 2.25 DIA (M8, M11, M14)	Expanded Model Nomenclature
51	0121F00223	FLUE COLLECTOR BOX KIT 21" 2.625 DIA (M15, M18, M21)	M1 - ADV C80603BNA A
61	0270F00933	HEAT EXCHANGER ASSY (M1, M2, M3, M4, M5, M6, M7)	M2 - ADV C80603BNBA
61	0270F00935	HEAT EXCHANGER ASSY (M8, M9, M10, M11, M12, M13, M14)	M3 - ADV C80603BNBB
61	0270F00936	HEAT EXCHANGER ASSY (M15, M16, M17, M18, M19, M20, M21)	M4 - ADV C80603BXAA
71	0130F00067	LIMIT (M1, M2, M3, M4, M5, M6, M7, M8, M9, M10, M11, M12, M13, M14)	M5 - ADV C80603BXBA
71	0130F00071	LIMIT SWITCH (M15, M18, M21)	M6 - ADV C80603BXBB
81	4028001	ORIFICE SHIELD 3 CELL (M1, M2, M3, M4, M5, M6, M7)	M7 - ADV C80703BXAA
81	4028002	ORIFICE SHIELD 4 CELL (M8, M9, M10, M11, M12, M13, M14)	M8 - ADV C80805CNA A
81	4028003	ORIFICE SHIELD 5 CELL (M15, M16, M17, M18, M19, M20, M21)	M9 - ADV C80805CNBA
91	0121F00146	BURNER BOX SIDE (QTY 2)	M10 - ADV C80805CNBB
101	B4022700	INSHOT BURNER ASSY 3" (QTY A/R)	M11 - ADV C80805CXAA
111	0121F00168	BURNER BRACKET 3B (M1, M2, M3, M4, M5, M6, M7)	M12 - ADV C80805CXBA
111	0121F00169	BURNER BRACKET 4B (M8, M9, M10, M11, M12, M13, M14)	M13 - ADV C80805CXBB
111	0121F00170	BURNER BRACKET 5B (M15, M16, M17, M18, M19, M20, M21)	M14 - ADV C80905CXAA
121	10716003	ORIFICE (M1, M4, M7, M8, M11, M14, M15, M18, M21)	M15 - ADV C81005CNA A
121	B4089345	ORIFICE (M2, M3, M5, M6, M9, M10, M12, M13, M16, M17, M19, M20)	M16 - ADV C81005CNBA
131	0120F00007	MANIFOLD (M1, M2, M3, M4, M5, M6, M7)	M17 - ADV C81005CNBB
131	0120F00008	MANIFOLD (M8, M9, M10, M11, M12, M13, M14)	M18 - ADV C81005CXAA
131	0120F00009	MANIFOLD (M15, M16, M17, M18, M19, M20, M21)	M19 - ADV C81005CXBA
141	0151M00028	VALVE,GAS(HW)VR92	M20 - ADV C81005CXBB
			M21 - ADV C81155CXAA

Blower and Control Panel

Image 1

*If end bells are needed please order the following:

0131M00182 - 1/2 HP

0131M00183 - 3/4 HP

0131M00184 - 1 HP

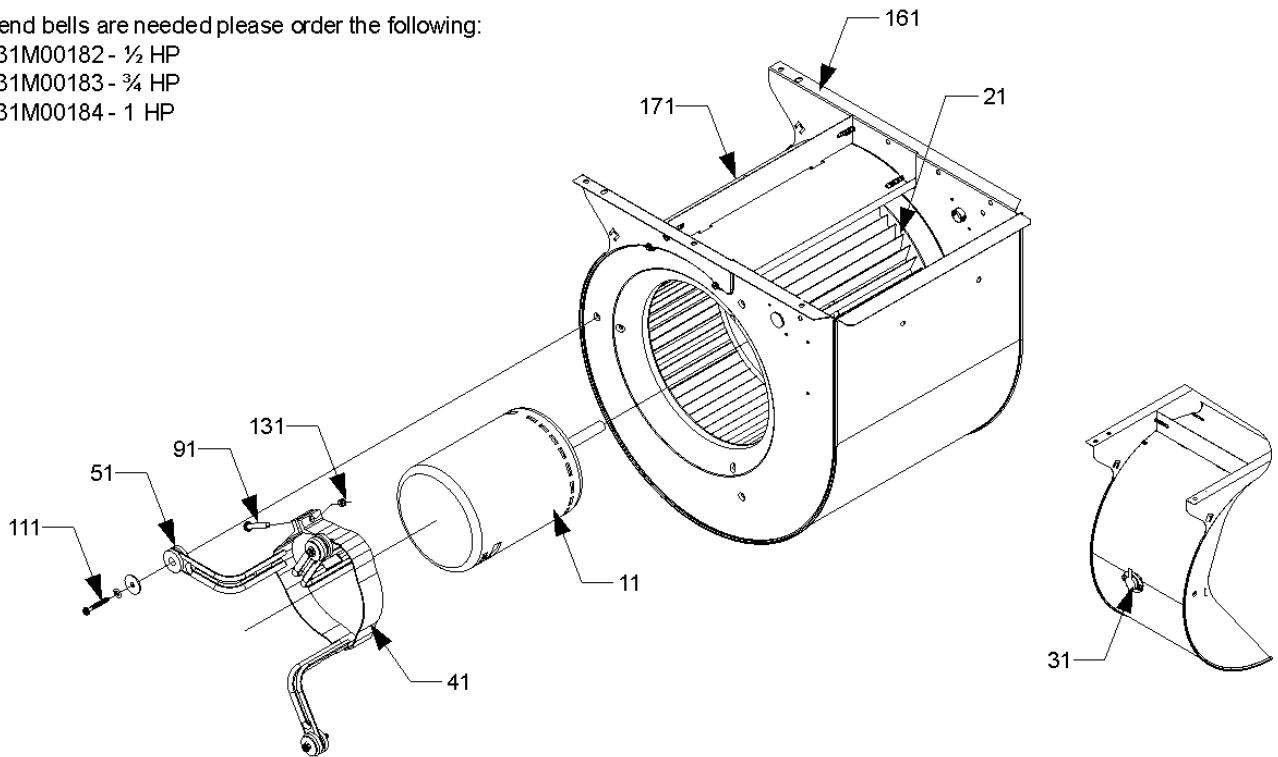
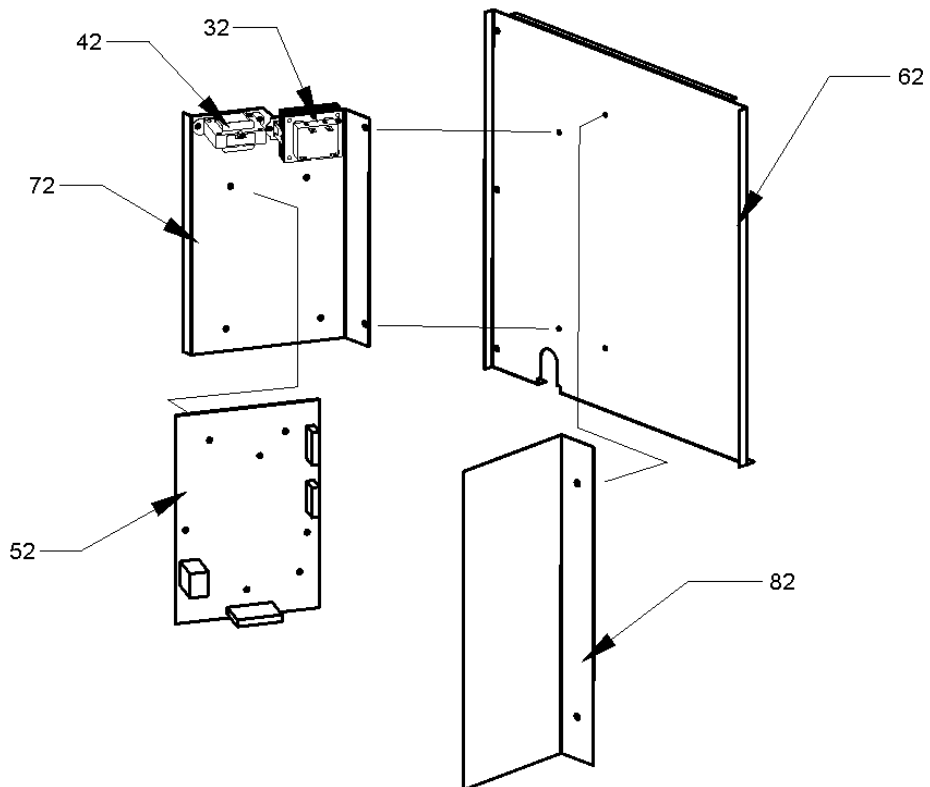


Image 2



Blower and Control Panel

Ref. Part No:	Ref. Part No:	Description:	Description:	
Image 1:		Image 2:		
11	0131M00271	MOTOR, 3/4 HP, SERIAL ECM	NS 0130F00254 MEMORY CHIP (M10)	
21	B1368047	BLOWER WHEEL 10 X 10 (M8, M9, M10, M11, M12, M13, M14, M15, M16, M17, M18, M19, M20, M21)	NS 0130F00255 MEMORY CHIP (M13)	
21	B1368016S	BLOWER WHEEL 10 X 8 (M1, M2, M3, M4, M5, M6, M7)	NS 0130F00256 MEMORY CHIP (M17)	
31	0130F00038	PRIMARY LIMIT - LT BLUE 120°	NS 0130F00257 MEMORY CHIP (M20)	
41	0121M00038	MOTOR MOUNT BAND	Expanded Model Nomenclature	
51	B1376853	MOTOR MOUNT ARM (M1, M2, M3, M4, M5, M6, M7)	M1 - ADVC80603BNAA	
51	B1376857	MOTOR MOUNT ARM (M8, M9, M10, M11, M12, M13, M14, M15, M16, M17, M18, M19, M20, M21)	M2 - ADVC80603BNBA	
91	B1393323	MACHINE SCREW HWH 1/4-20 X 1-1/2 BZ	M3 - ADVC80603BNBB	
111	M0250565	TC SCREW 1.25" (QTY 3)	M4 - ADVC80603BXAA	
131	B1393800	LOCKNUT, NYLON, INSERT 1/4, 20	M5 - ADVC80603BXBA	
161	2539307	BLOWER HOUSING 10 X 10 (M8, M9, M10, M11, M12, M13, M14, M15, M16, M17, M18, M19, M20, M21)	M6 - ADVC80603BXBB	
161	2539306	BLOWER HOUSING 10 X 8 (M1, M2, M3, M4, M5, M6, M7)	M7 - ADVC80703BXAA	
171	764741F	BLOWER BLOCK-OFF 10 X 10 (M8, M9, M10, M11, M12, M13, M14, M15, M16, M17, M18, M19, M20, M21)	M8 - ADVC80805CNAA	
171	764740F	BLOWER BLOCK-OFF 10 X 8 (M1, M2, M3, M4, M5, M6, M7)	M9 - ADVC80805CNBA	
NS	0259F00067	CONTROL HARNESS	M10 - ADVC80805CNBB	
NS	0259F00068	POWER HARNESS	M11 - ADVC80805CXAA	
Image 2:		M12 - ADVC80805CXBA		
32	B1141605	TRANSFORMER 120V TO 24V, 40 VA	M13 - ADVC80805CXBB	
42	B1141666	INDUCTOR-5.9 AMP	M14 - ADVC80905CXAA	
52	PCBKF103	PCB, CONTROL, FURNACE	M15 - ADVC81005CNAA	
62	0121F00227	DOOR, INNER 17.5" (M1, M2, M3, M4, M5, M6, M7)	M16 - ADVC81005CNBA	
62	0121F00228	DOOR, INNER 21" (M8, M9, M10, M11, M12, M13, M14, M15, M16, M17, M18, M19, M20, M21)	M17 - ADVC81005CNBB	
72	0121F00186	BRACKET, CONTROL	M18 - ADVC81005CXAA	
82	0121F00229	HEAT SHIELD	M19 - ADVC81005CXBA	
NS	0130F00064	DATA, FURNACE PCB (M7)	M20 - ADVC81005CXBB	
NS	0130F00065	DATA, FURNACE PCB (M14)	M21 - ADVC81155CXAA	
NS	0130F00066	DATA, FURNACE PCB (M21)		
NS	0130F00227	DATA, FURNACE PCB (M1)		
NS	0130F00228	DATA, FURNACE PCB (M8)		
NS	0130F00229	DATA, FURNACE PCB (M15)		
NS	0130F00230	DATA, FURNACE PCB (M4)		
NS	0130F00231	DATA, FURNACE PCB (M11)		
NS	0130F00232	DATA, FURNACE PCB (M18)		
NS	0130F00245	DATA, FURNACE PCB (M2)		
NS	0130F00246	DATA, FURNACE PCB (M9)		
NS	0130F00247	DATA, FURNACE PCB (M16)		
NS	0130F00248	DATA, FURNACE PCB (M5)		
NS	0130F00249	DATA, FURNACE PCB (M12)		
NS	0130F00250	DATA, FURNACE PCB (M19)		
NS	0130F00257	DATA, FURNACE PCB (M20)		
NS	0130F00064	MEMORY CHIP (M1, M2, M4, M5, M7)		
NS	0130F00065	MEMORY CHIP (M8, M9, M11, M12, M14)		
NS	0130F00066	MEMORY CHIP (M15, M16, M18, M19, M21)		
NS	0130F00252	MEMORY CHIP (M3)		
NS	0130F00253	MEMORY CHIP (M6)		

*If end bells are needed please order the following:
 0131M00182 - 1/2 HP
 0131M00183 - 3/4 HP
 0131M00184 - 1 HP