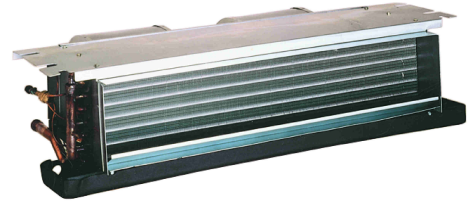


REPAIR PARTS

ACNF Horizontal Fan Coil

ACNF300516DF
ACNF300516DG
ACNF300816DF
ACNF300816DG
ACNF301016DF
ACNF301016DG
ACNF310016AC
ACNF310516AC
ACNF310616AC
ACNF310816AC
ACNF311016AC



This manual is to be used by qualified technicians only.

© 2023 Goodman Manufacturing Company, L.P. ♦ 19001 Kermier Rd. ♦ Waller, TX 77484

Important Information

Index

Functional Parts List	3
Illustration and Parts	4 - 9

Views shown are for parts illustrations only, not servicing procedures.

Text Codes:

AR - As Required

NA - Not Available

NS - Not Shown

00000000 - See Note

QTY - Quantity Example (QTY 3) (If Quantity not shown, Quantity = 1)

M - Model Example (M1) (If M Code not shown, then part is used on all Models)

Expanded Model Nomenclature:

Example
M1 - Model#1
M2 - Model#2
M3 - Model#3

Goodman Manufacturing Company, L.P. is not responsible for personal injury or property damage resulting from improper service. Review all service information before beginning repairs.

Warranty service must be performed by an authorized technician, using authorized factory parts. If service is required after the warranty expires, Goodman Manufacturing Company, L.P. also recommends contacting an authorized technician and using authorized factory parts.

Goodman Manufacturing Company, L.P. reserves the right to discontinue, or change at any time, specifications or designs without notice or without incurring obligations.

For assistance within the U.S.A. contact:
Homeowner Support
Goodman Manufacturing Company, L.P.
19001 Kermier Road
Waller, Texas 77484
877-254-4729-Telephone
713-863-2382-Facsimile

For assistance outside the U.S.A. contact:
International Division
Goodman Manufacturing Company, L.P.
19001 Kermier Road
Waller, Texas 77484
713-861-2500-Telephone
713-863-2382-Facsimile

Functional Parts

Part

No: **Description:**

0131M00780	ACNF31 BLDC CONTROLLER-1/4HP (M7, M8, M9, M10, M11)
0131M00778	BLDC MOTOR-1/4 HP (M7, M8, M9, M10, M11)
CAP050000370LA	CAPACITOR 5/370V (M1, M2, M3, M4, M5, M6)
CONT2P040024V	CONTACTOR 40 AMP, 2P, 24V (M1, M2, M3, M4, M5, M6, M8, M9, M10, M11)
0175A00000	HEAT ELEMENT 4.8 KW (M1, M2, M8)
0175A00001	HEAT ELEMENT 6.0 KW (M9)
0175A00002	HEAT ELEMENT 7.3 KW (M3, M4, M10)
0175A00003	HEAT ELEMENT 9.8 KW (M5, M6, M11)
0131M00803	MOTOR, 1/4 HP, 2 SP, 4 PL (M1, M2, M3, M4, M5, M6)
PCBFM132	PCB, TIME DELAY (M2, M4, M6)
PCBFM103	PCB, TIME DELAY, EBTDR (M1, M3, M5)
0130M00138	TRANSFORMER 208/230, 24V

SPECIAL PARTS

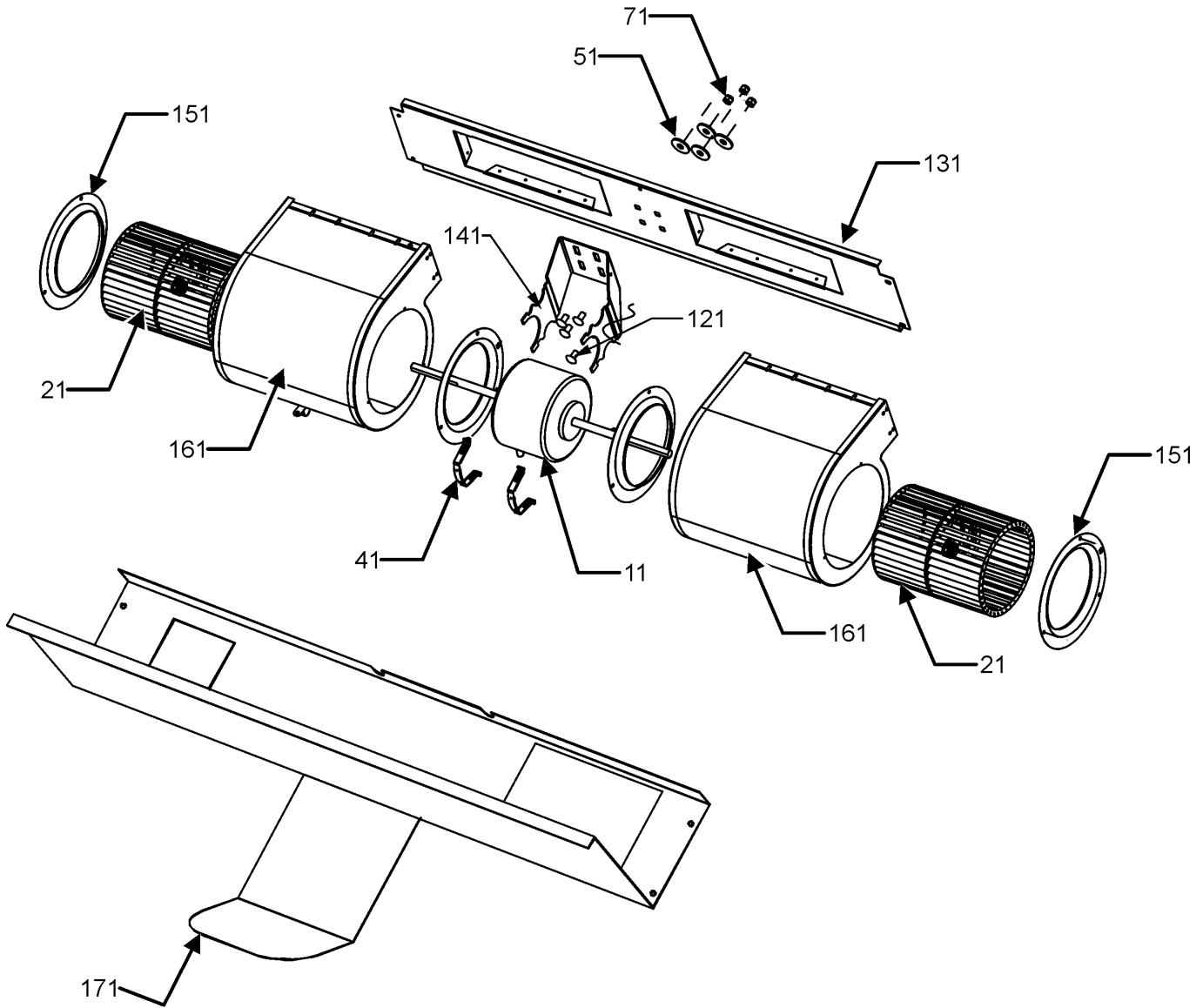
PKCG-4001ZC PISTON KIT CHART

Expanded Model Nomenclature

M1 - ACNF300516DF
M2 - ACNF300516DG
M3 - ACNF300816DF
M4 - ACNF300816DG
M5 - ACNF301016DF
M6 - ACNF301016DG
M7 - ACNF310016AC
M8 - ACNF310516AC
M9 - ACNF310616AC
M10 - ACNF310816AC
M11 - ACNF311016AC

Blower Assembly

BLOWER ASSEMBLY



Blower Assembly

Ref. Part No:	No:	Description:	Ref. Part No:	No:	Description:
---------------	-----	--------------	---------------	-----	--------------

Image 1:

11	0131M00778	BLDC MOTOR-1/4 HP (M7, M8, M9, M10, M11)
11	0131M00803	MOTOR, 1/4 HP, 2 SP, 4 PL (M1, M2, M3, M4, M5, M6)
21	0150M00027	Blower Wheel 6.70 X 8.06 (QTY 2)
41	BT1392500	MOTOR MOUNT CLAMP (QTY 2)
51	B1392919	WASHER, 3/8 FENDER (QTY 4)
71	B1393804	NYLON LOCKNUT, .31-18 (QTY 4)
121	BT1393706	CARRIAGE BOLT .31 - 18 X .625" (QTY 4)
131	3614005	BLOWER DECK 10.75", LARGE
141	3616000	MOTOR MOUNT BRACKET
151	3642001	VENTURI 0.5" (QTY 4)
161	3660201	BLOWER HOUSING (QTY 2)
171	3617000	MOTOR SHIELD

Expanded Model Nomenclature

M1 - ACNF300516DF
M2 - ACNF300516DG
M3 - ACNF300816DF
M4 - ACNF300816DG
M5 - ACNF301016DF
M6 - ACNF301016DG
M7 - ACNF310016AC
M8 - ACNF310516AC
M9 - ACNF310616AC
M10 - ACNF310816AC
M11 - ACNF311016AC

Coil/ Coil Pan/ Heater Assemblies

IMAGE 1

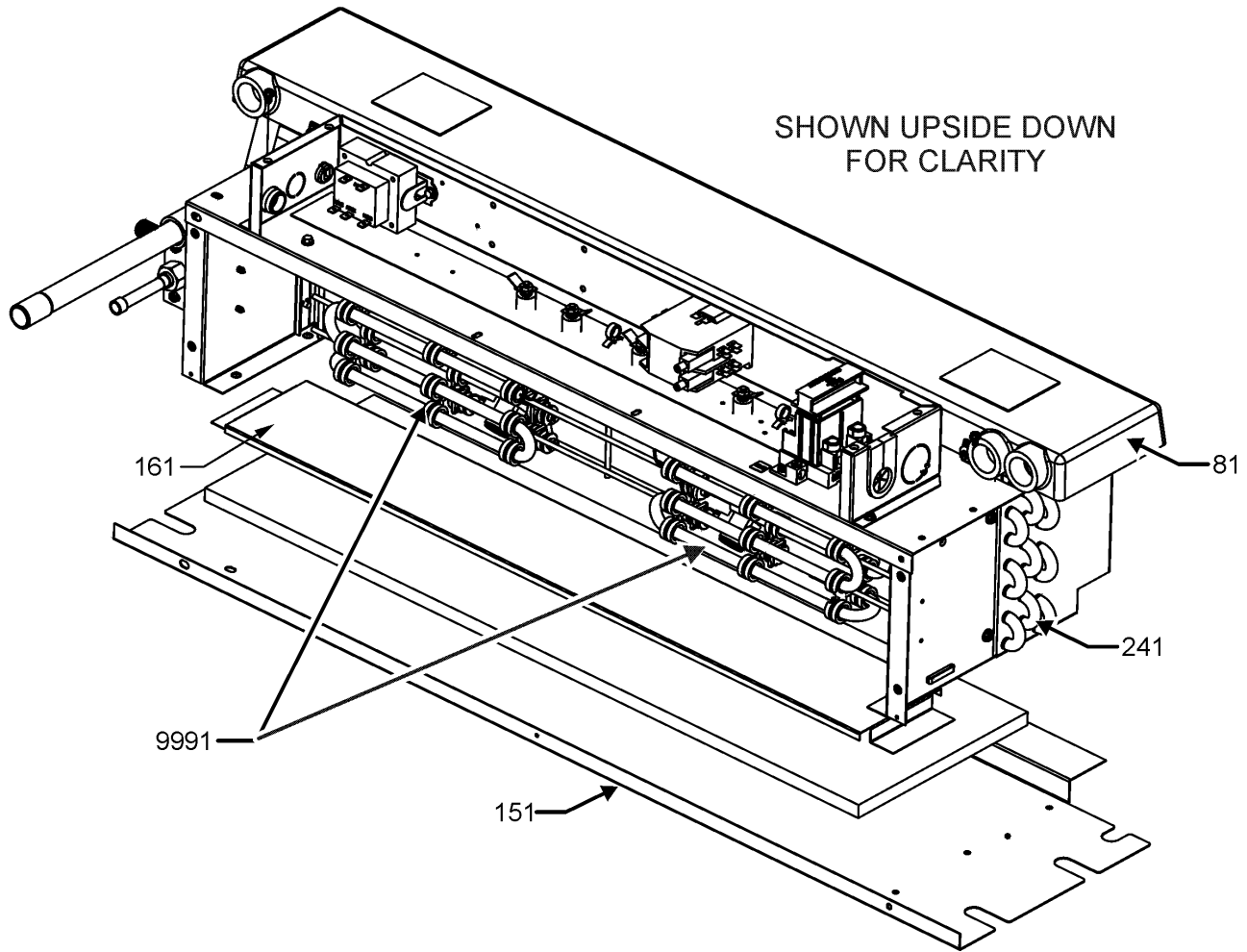
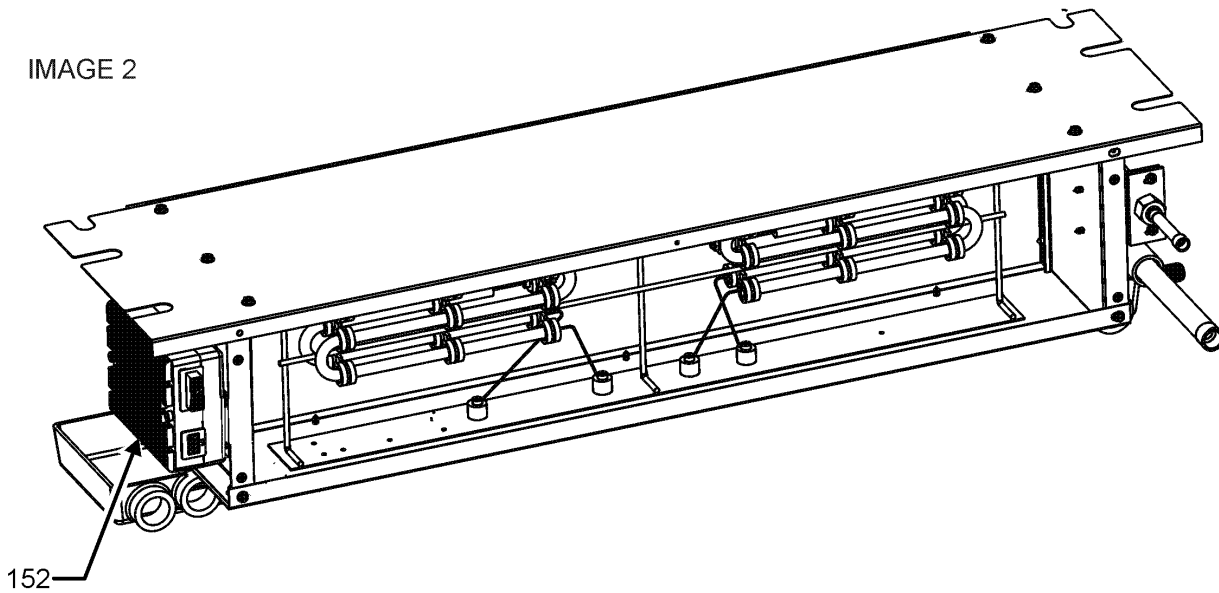


IMAGE 2



Coil/ Coil Pan/ Heater Assemblies

Ref. Part No:	Ref. Part No:	Description:	Description:
---------------	---------------	--------------	--------------

Image 1:

81	BT3076504DF	DRAINPAN, LARGE, FCA, ACHAC
151	3613002	EVAP TOP PANEL
161	3615002	EVAP COIL BLOCK-OFF
241	0270A01259	COIL TUBING ASSY
9991	0175A00000	HEAT ELEMENT 4.8 KW (M1, M2, M8)
9991	0175A00001	HEAT ELEMENT 6.0 KW (M9)
9991	0175A00002	HEAT ELEMENT 7.3 KW (M3, M4, M10)
9991	0175A00003	HEAT ELEMENT 9.8 KW (M5, M6, M11)
NS	0163M00175	CAP WITH O-RING
NS	3631002	DRIP SHIELD, 3 TON
NS	3630005	EVAP SUPPORT ASSY LRG
NS	3630002	EVAP. SUPPORT, 3 TON
NS	0151M00104	VALVE CORE

Image 2:

152	0131M00780	ACNF31 BLDC CONTROLLER-1/4HP (M7, M8, M9, M10, M11)
-----	------------	---

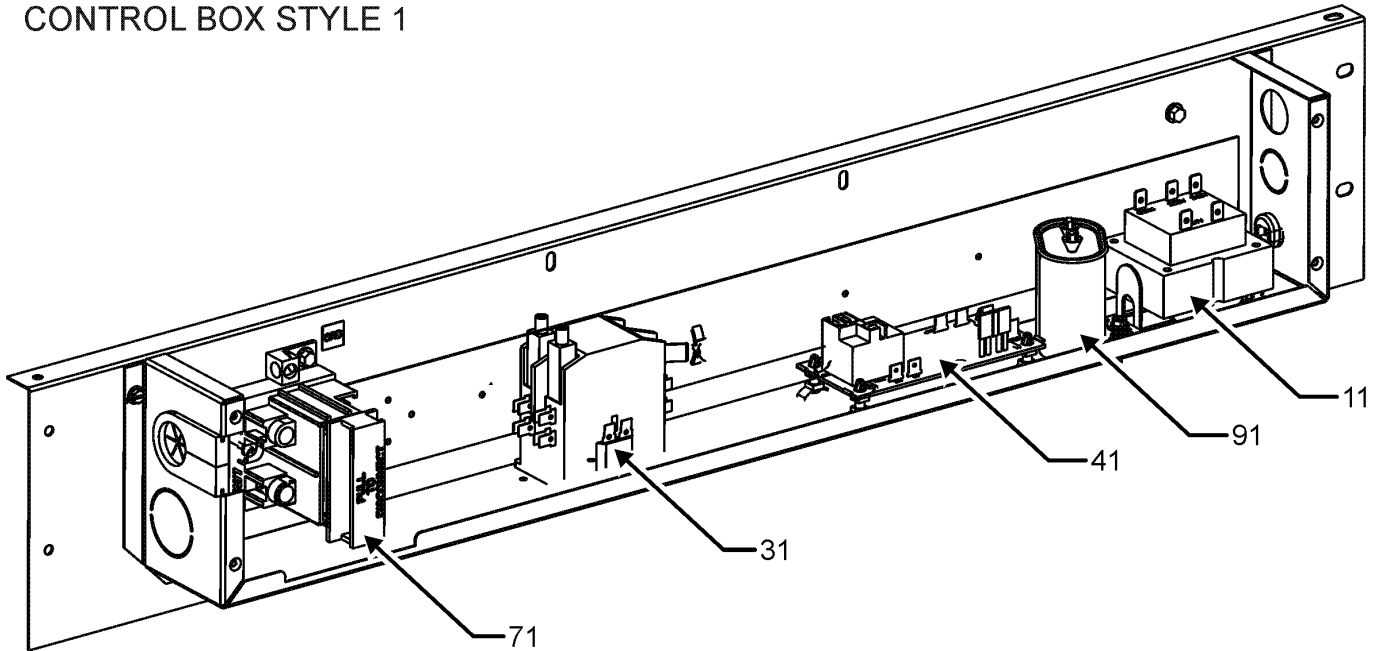
Expanded Model Nomenclature

- | |
|--------------------|
| M1 - ACNF300516DF |
| M2 - ACNF300516DG |
| M3 - ACNF300816DF |
| M4 - ACNF300816DG |
| M5 - ACNF301016DF |
| M6 - ACNF301016DG |
| M7 - ACNF310016AC |
| M8 - ACNF310516AC |
| M9 - ACNF310616AC |
| M10 - ACNF310816AC |
| M11 - ACNF311016AC |

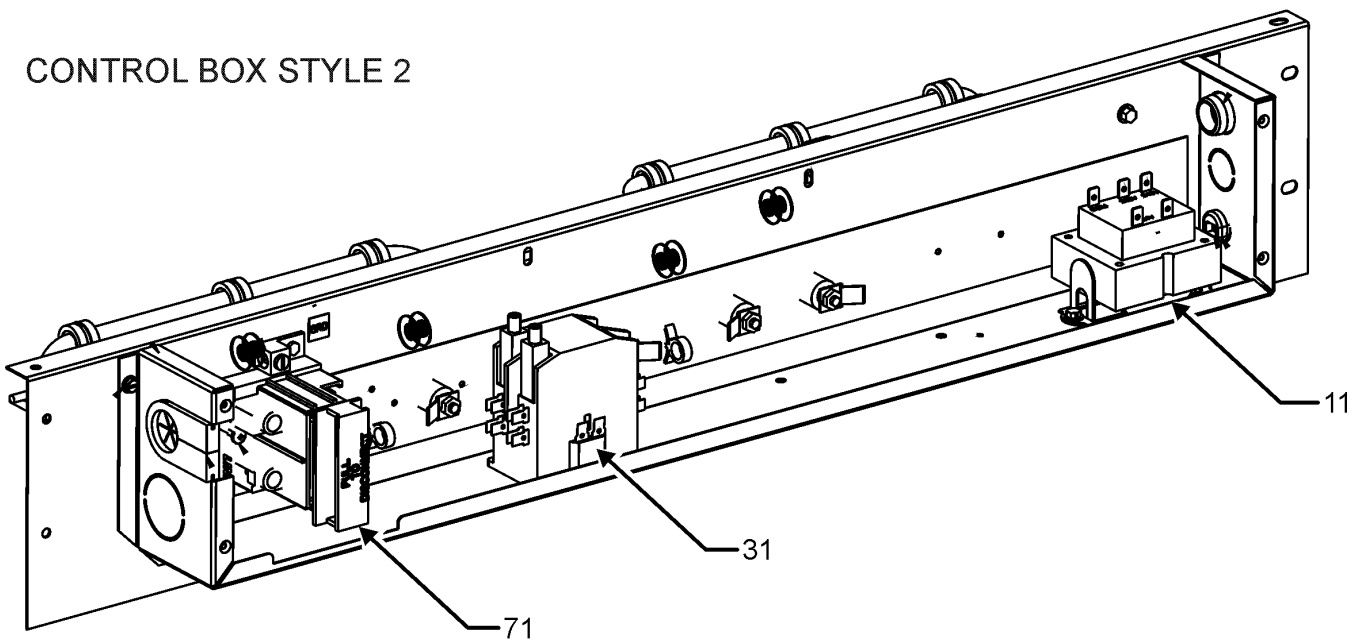
Control Box Assembly

SHOWN UPSIDE DOWN FOR CLARITY

CONTROL BOX STYLE 1



CONTROL BOX STYLE 2



Control Box Assembly

Ref. Part No:	No:	Description:	Ref. Part No:	No:	Description:
---------------	-----	--------------	---------------	-----	--------------

Image 1:

11	0130M00138	TRANSFORMER 208/230, 24V
31	CONT2P040024V	CONTACTOR 40 AMP, 2P, 24V (M1, M2, M3, M4, M5, M6, M8, M9, M10, M11)
41	PCBFM132	PCB, TIME DELAY (M2, M4, M6)
41	PCBFM103	PCB, TIME DELAY, EBTD (M1, M3, M5)
71	0130A00167	DISCONNECT, PULLOUT (M1, M2, M3, M4, M5, M6, M8, M9, M10, M11)
71	0130A00168	DISCONNECT, PULLOUT (M7)
91	CAP050000370LA	CAPACITOR 5/370V (M1, M2, M3, M4, M5, M6)
NS	0159A00003	WIRE HARNESS (M7, M8, M9, M10, M11)
NS	0230M00002	X-13 POWER HARNESS (M7, M8, M9, M10, M11)

Expanded Model Nomenclature

M1 - ACNF300516DF
M2 - ACNF300516DG
M3 - ACNF300816DF
M4 - ACNF300816DG
M5 - ACNF301016DF
M6 - ACNF301016DG
M7 - ACNF310016AC
M8 - ACNF310516AC
M9 - ACNF310616AC
M10 - ACNF310816AC
M11 - ACNF311016AC