

REPAIR PARTS

ACNF Horizontal Fan Coil

ACNF250016AA
ACNF250516AA
ACNF250616AA
ACNF250816AA
ACNF251016AA
ACNF310016AA
ACNF310516AA
ACNF310616AA
ACNF310816AA
ACNF311016AA



This manual is to be used by qualified technicians only.

© 2016 Goodman Manufacturing Company, L.P. ♦ 5151 San Felipe St., Suite 500 ♦ Houston, TX 77056

Important Information

Index

Functional Parts List	3
Illustration and Parts	4 - 9

Views shown are for parts illustrations only, not servicing procedures

Text Codes:

AR - As Required

NA - Not Available

NS - Not Shown

00000000 - See Note

QTY - Quantity Example (QTY 3) (If Quantity not shown, Quantity = 1)

M - Model Example (M1) (If M Code not shown, then part is used on all Models)

Expanded Model Nomenclature:

Example M1 - Model#1 M2 - Model#2 M3 - Model#3

Goodman Manufacturing Company, L.P. is not responsible for personal injury or property damage resulting from improper service. Review all service information before beginning repairs.

Warranty service must be performed by an authorized technician, using authorized factory parts. If service is required after the warranty expires, Goodman Manufacturing Company, L.P. also recommends contacting an authorized technician and using authorized factory parts.

Goodman Manufacturing Company, L.P. reserves the right to discontinue, or change at any time, specifications or designs without notice or without incurring obligations.

For assistance within the U.S.A. contact:
Consumer Affairs Department
Goodman Manufacturing Company, L.P.
7401 Security Way
Houston, Texas 77040
877-254-4729-Telephone
713-863-2382-Facsimile

For assistance outside the U.S.A. contact:
International Division
Goodman Manufacturing Company, L.P.
7401 Security Way
Houston, Texas 77040
713-861-2500-Telephone
713-863-2382-Facsimile

Functional Parts

Part

No: **Description:**

0131M00757	ACNF31 BLDC CONTROLLER-1/4 HP (M6, M7, M8, M9, M10)
0131M00756	ACNF25 BLDC CONTROLLER-1/4 HP (M1, M2, M3, M4, M5)
0131M00760	BLDC MOTOR-1/4 HP
CONT2P040024V	CONTACTOR 40 AMP, 2P, 24V (M2, M3, M4, M5, M7, M8, M9, M10)
0175A00000	HEAT ELEMENT 4.8 KW (M2, M7)
0175A00001	HEAT ELEMENT 6.0 KW (M3, M8)
0175A00002	HEAT ELEMENT 7.3 KW (M4, M9)
0175A00003	HEAT ELEMENT 9.8 KW (M5, M10)
0130M00138	TRANSFORMER 208/230, 24V

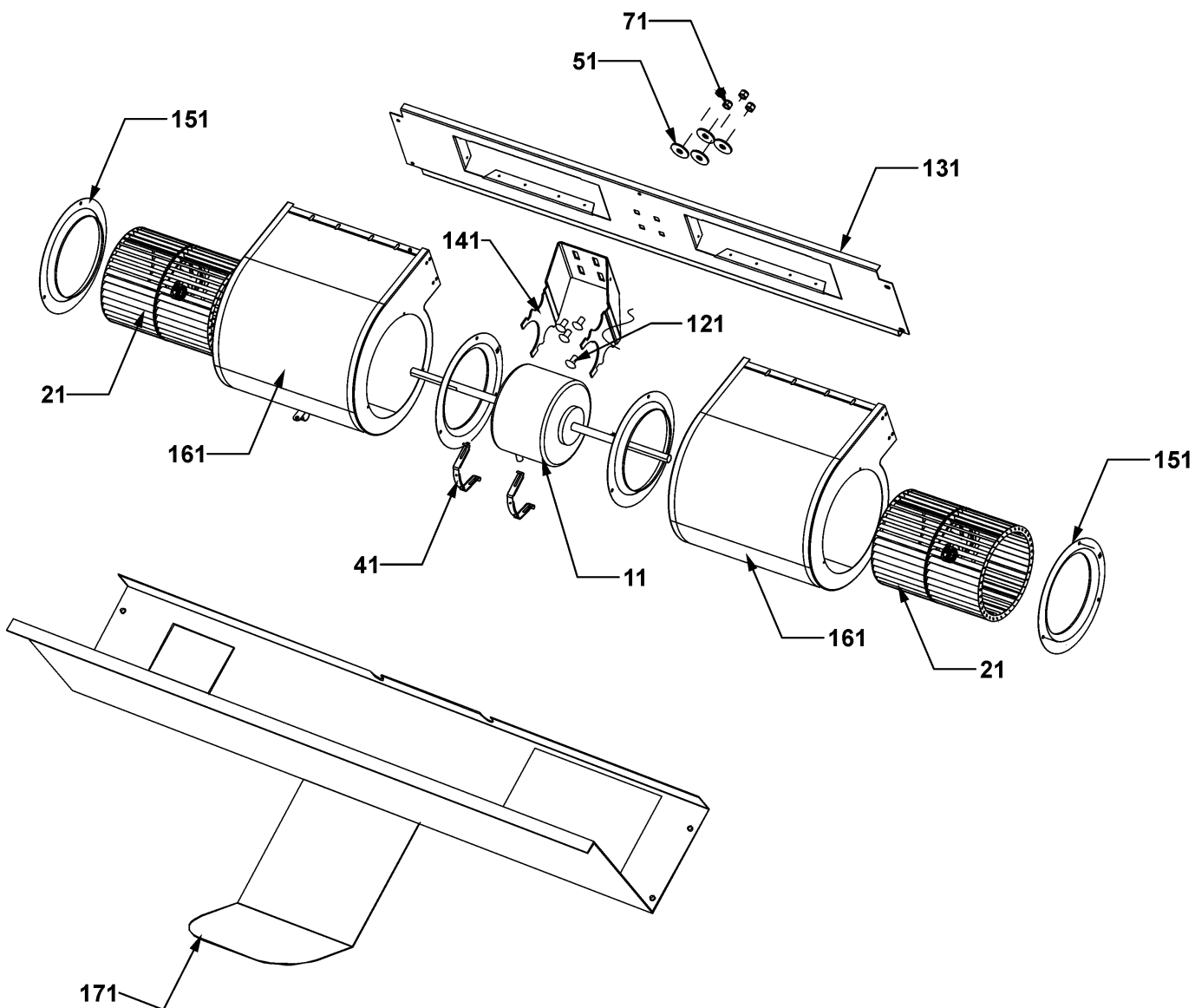
SPECIAL PARTS

PKCG-4001L PISTON KIT CHART

Expanded Model Nomenclature

M1 - ACNF250016AA
M2 - ACNF250516AA
M3 - ACNF250616AA
M4 - ACNF250816AA
M5 - ACNF251016AA
M6 - ACNF310016AA
M7 - ACNF310516AA
M8 - ACNF310616AA
M9 - ACNF310816AA
M10 - ACNF311016AA

Blower Assembly



Blower Assembly

Ref. Part No: No:	Description:	Ref. Part No: No:	Description:
-------------------	--------------	-------------------	--------------

Image 1:

11	0131M00760	BLDC MOTOR-1/4 HP
21	0150M00026	Blower Wheel 6.30 X 8.06 (M1, M2, M3, M4, M5)
21	0150M00027	Blower Wheel 6.70 X 8.06 (M6, M7, M8, M9, M10)
41	BT1392500	MOTOR MOUNT CLAMP (QTY 2)
51	B1392919	WASHER, 3/8 FENDER (QTY 4)
71	B1393804	NYLON LOCKNUT, .31-18 (QTY 4)
121	BT1393706	CARRIAGE BOLT .31 - 18 X .625" (QTY 4)
131	3614005	BLOWER DECK 10.75", LARGE (M6, M7, M8, M9, M10)
131	3614003	BLOWER DECK 10.750", MED (M1, M2, M3, M4, M5)
141	3616000	MOTOR MOUNT BRACKET
151	3642001	VENTURI 0.5" (QTY 4)
161	3660201	BLOWER HOUSING (QTY 2)
171	3617000	MOTOR SHIELD

Expanded Model Nomenclature

M1 - ACNF250016AA
M2 - ACNF250516AA
M3 - ACNF250616AA
M4 - ACNF250816AA
M5 - ACNF251016AA
M6 - ACNF310016AA
M7 - ACNF310516AA
M8 - ACNF310616AA
M9 - ACNF310816AA
M10 - ACNF311016AA

Coil/ Coil Pan/ Heater Assemblies

IMAGE 1

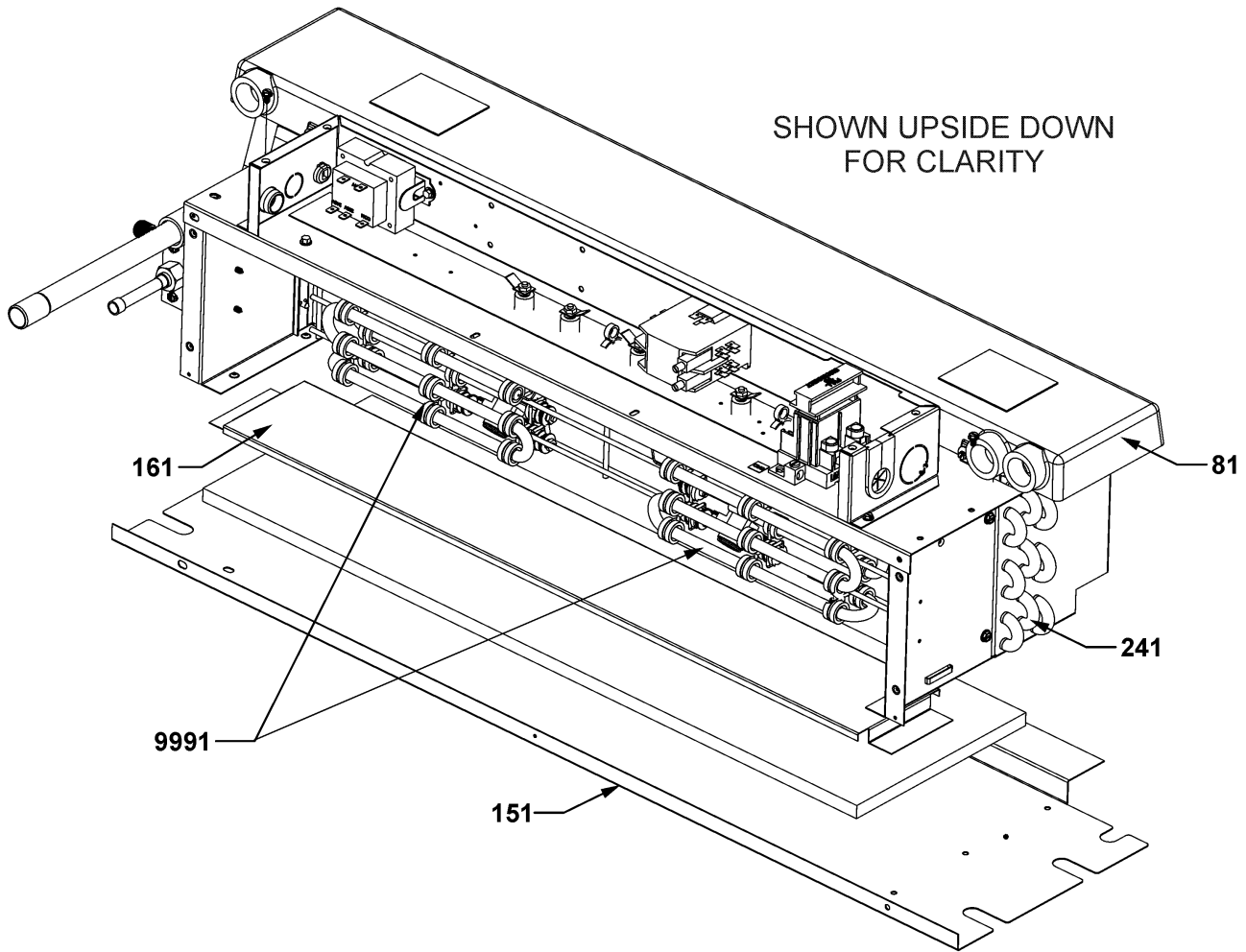
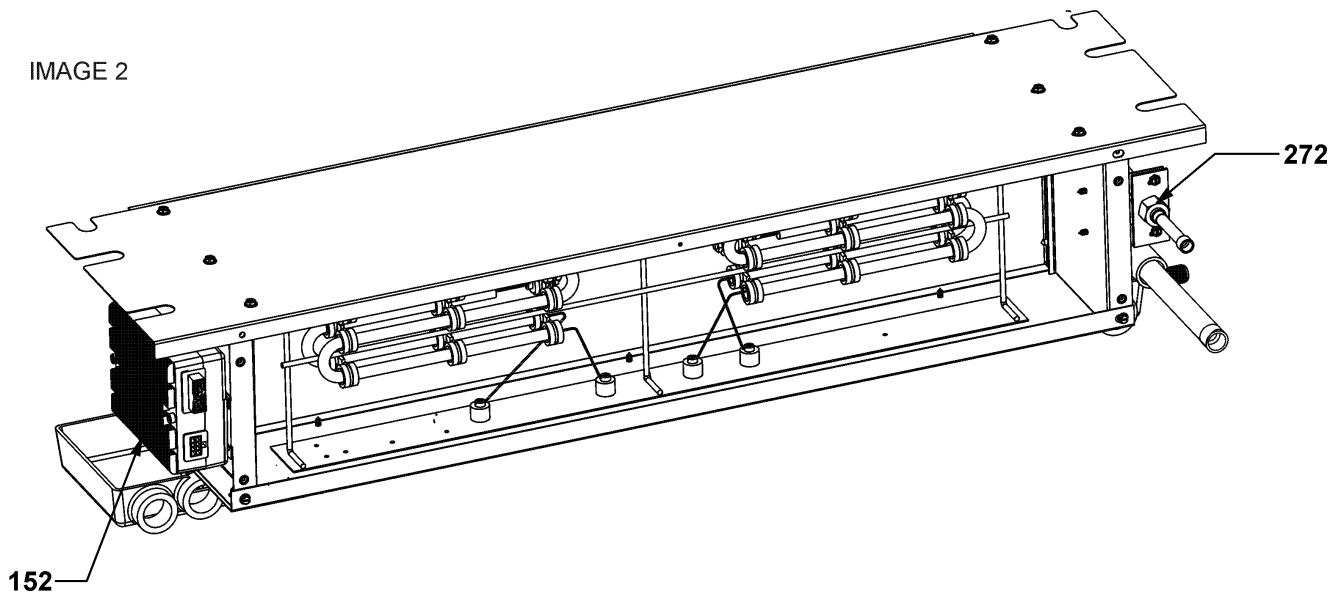


IMAGE 2



Coil/ Coil Pan/ Heater Assemblies

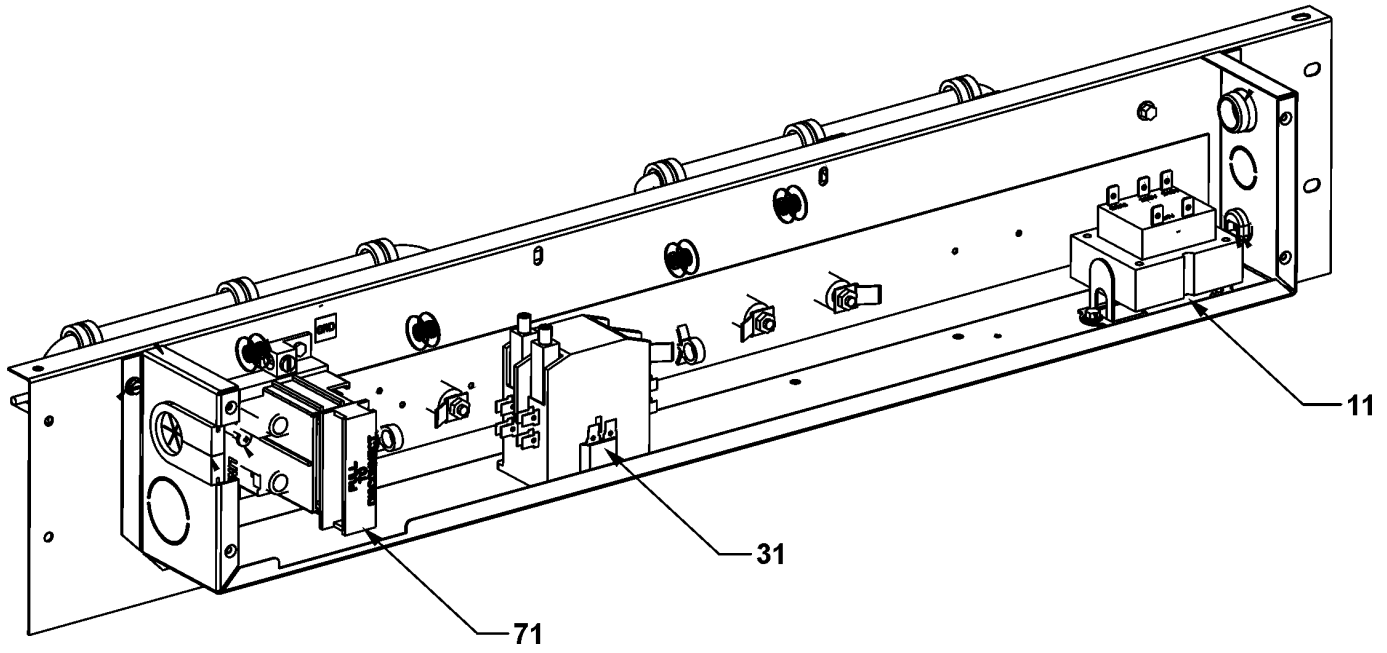
Ref. Part No:	No:	Description:	Ref. Part No:	No:	Description:
Image 1:					
81	BT3076504DF	DRAINPAN, LARGE, FCA, ACHAC (M6, M7, M8, M9, M10)			
81	BT3076503DF	DRAINPAN, MEDIUM, FCA, AHCAC (M1, M2, M3, M4, M5)			
151	3613001	EVAP TOP PANEL (M1, M2, M3, M4, M5)			
151	3613002	EVAP TOP PANEL (M6, M7, M8, M9, M10)			
161	3615001	EVAP COIL BLOCK-OFF (M1, M2, M3, M4, M5)			
161	3615002	EVAP COIL BLOCK-OFF (M6, M7, M8, M9, M10)			
241	0270A00837	COIL TUBING ASSY (M1, M2, M3, M4, M5)			
241	0270A00838	COIL TUBING ASSY (M6, M7, M8, M9, M10)			
9991	0175A00000	HEAT ELEMENT 4.8 KW (M2, M7)			
9991	0175A00001	HEAT ELEMENT 6.0 KW (M3, M8)			
9991	0175A00002	HEAT ELEMENT 7.3 KW (M4, M9)			
9991	0175A00003	HEAT ELEMENT 9.8 KW (M5, M10)			
NS	0163M00175	CAP WITH O-RING			
NS	3631001	DRIP SHIELD, 2.5 TON (M1, M2, M3, M4, M5)			
NS	3631002	DRIP SHIELD, 3 TON (M6, M7, M8, M9, M10)			
NS	3630005	EVAP SUPPORT ASSY LRG (M6, M7, M8, M9, M10)			
NS	3630004	EVAP SUPPORT ASSY MED (M1, M2, M3, M4, M5)			
NS	B1787000	VALVE CORE			
Image 2:					
152	0131M00756	BLDC MOTOR-1/4 HP (M1, M2, M3, M4, M5)			
152	0131M00757	BLDC MOTOR-1/4 HP (M6, M7, M8, M9, M10)			

Expanded Model Nomenclature

M1 - ACNF250016AA
M2 - ACNF250516AA
M3 - ACNF250616AA
M4 - ACNF250816AA
M5 - ACNF251016AA
M6 - ACNF310016AA
M7 - ACNF310516AA
M8 - ACNF310616AA
M9 - ACNF310816AA
M10 - ACNF311016AA

Control Box Assembly

SHOWN UPSIDE DOWN FOR CLARITY



Control Box Assembly

Ref. Part No:	No:	Description:	Ref. Part No:	No:	Description:
---------------	-----	--------------	---------------	-----	--------------

Image 1:

11	0130M00138	TRANSFORMER 208/230, 24V			
31	CONT2P040024V	CONTACTOR 40 AMP, 2P, 24V (M2, M3, M4, M5, M7, M8, M9, M10)			
71	BT1753510	DISCONNECT, PULL OUT (M1, M6, M7)			
71	0130A00091	DISCONNECT, PULLOUT (M2, M3, M4, M5, M8, M9, M10)			
NS	0130A00135	X13 MOTOR LOW VOLTAGE			
NS	0130M00022	X-13 POWER HARNESS			

Expanded Model Nomenclature

M1 - ACNF250016AA
M2 - ACNF250516AA
M3 - ACNF250616AA
M4 - ACNF250816AA
M5 - ACNF251016AA
M6 - ACNF310016AA
M7 - ACNF310516AA
M8 - ACNF310616AA
M9 - ACNF310816AA
M10 - ACNF311016AA