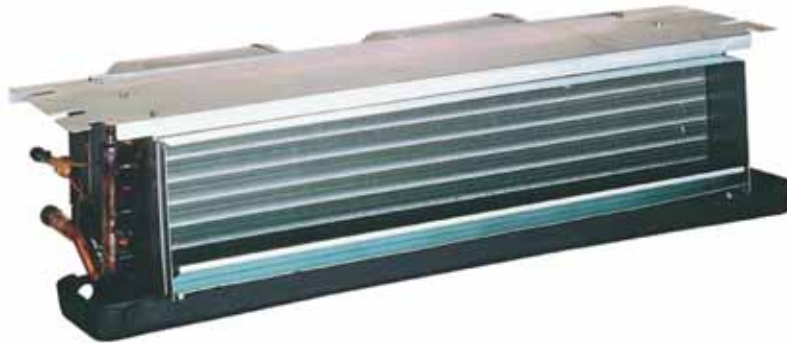


REPAIR PARTS

ACNF Ceiling Mount Air Handlers

ACNF180016AA
ACNF180016AB
ACNF180516AA
ACNF180516AB
ACNF180616AA
ACNF180616AB
ACNF180816AA
ACNF180816AB
ACNF240016AA
ACNF240016AB
ACNF240516AA
ACNF240516AB
ACNF240616AA
ACNF240616AB
ACNF240816AA
ACNF240816AB
ACNF241016AA
ACNF241016AB
ACNF300016AA
ACNF300016AB
ACNF300516AA
ACNF300516AB
ACNF300616AA
ACNF300616AB
ACNF300816AA
ACNF300816AB
ACNF301016AA
ACNF301016AB



This manual is to be used by qualified technicians only.

This manual replaces RP-496.

© 2009, 2012 Goodman Manufacturing Company, L.P. ♦ 5151 San Felipe, Suite 500 ♦ Houston, TX 77056

Important Information

Index

Functional Parts List	3
Illustration and Parts	4 - 9

Views shown are for parts illustrations only, not servicing procedures.

This system uses R410A refrigerant. If sealed system work is required, use approved equipment and follow service procedures. Refer to Service Manual or Installation Instructions for service procedures.

Text Codes:

AR - As Required

NA - Not Available

NS - Not Shown

00000000 - See Note

QTY - Quantity Example (QTY 3) (If Quantity not shown, Quantity = 1)

M - Model Example (M1) (If M Code not shown, then part is used on all Models)

Expanded Model Nomenclature:

Example M1 - Model#1 M2 - Model#2 M3 - Model#3

Goodman Manufacturing Company, L.P. is not responsible for personal injury or property damage resulting from improper service. Review all service information before beginning repairs.

Warranty service must be performed by an authorized technician, using authorized factory parts. If service is required after the warranty expires, Goodman Manufacturing Company, L.P. also recommends contacting an authorized technician and using authorized factory parts.

Goodman Manufacturing Company, L.P. reserves the right to discontinue, or change at any time, specifications or designs without notice or without incurring obligations.

For assistance within the U.S.A. contact:
Consumer Affairs Department
Goodman Manufacturing Company, L.P.
7401 Security Way
Houston, Texas 77040
877-254-4729-Telephone
713-863-2382-Facsimile

For assistance outside the U.S.A. contact:
International Division
Goodman Manufacturing Company, L.P.
7401 Security Way
Houston, Texas 77040
713-861-2500-Telephone
713-863-2382-Facsimile

Functional Parts

Part

No: Description:

Expanded Model Nomenclature

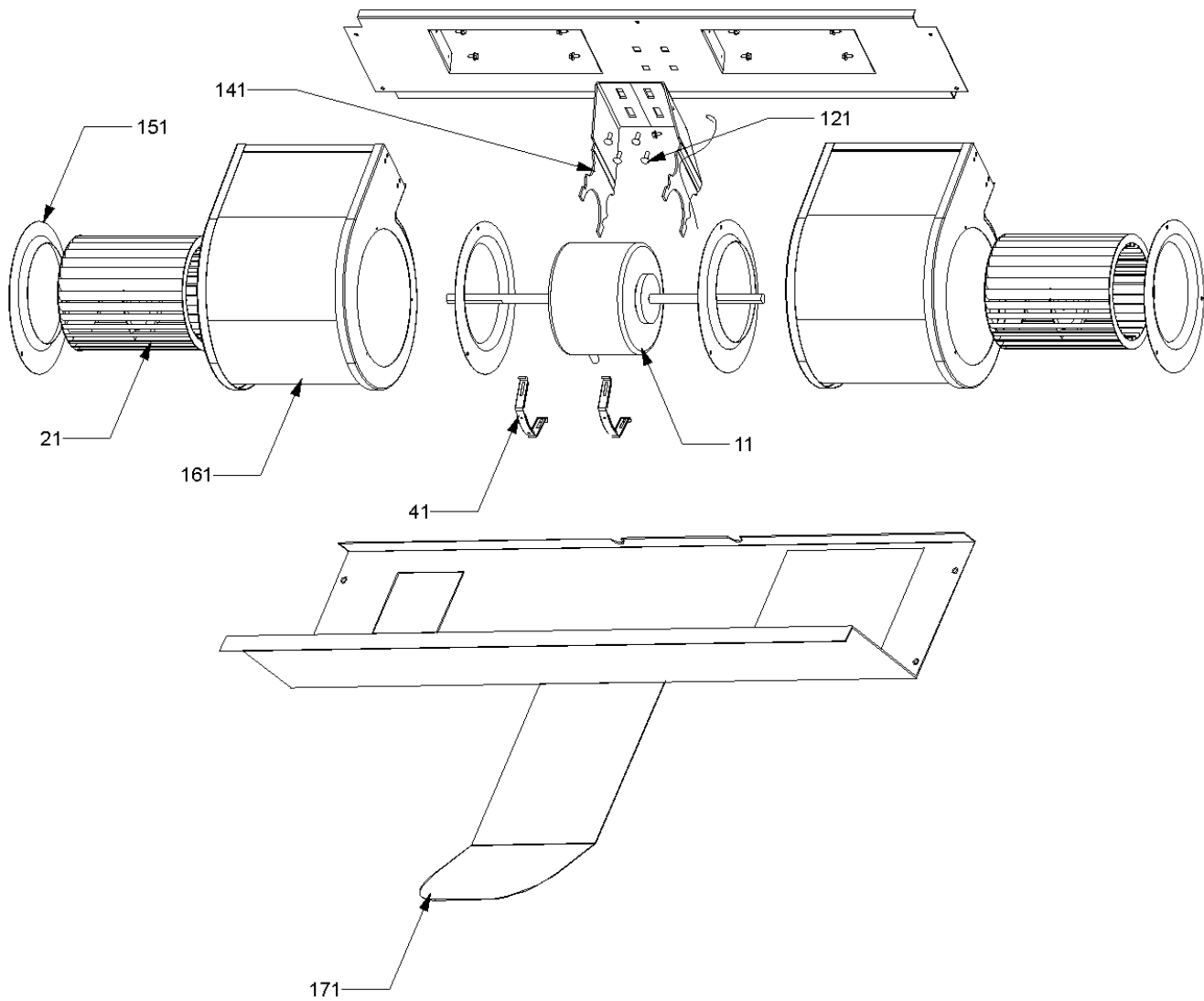
BT1340015	BLOWER MOTOR 1/4 HP, 2 SP, 4 PL (M9, M10, M11, M12, M13, M14, M15, M16, M17, M18, M19, M20, M21, M22, M23, M24, M25, M26, M27, M28)
BT1340014	BLOWER MOTOR 1/8 HP, 2 SP, 4 PL (M1, M2, M3, M4, M5, M6, M7, M8)
CAP050000370VA	CAPACITOR 5/370V
PCBFM131	ELECTRONIC BLOWER TIME DELAY RELAY
0175A00000	HEAT ELEMENT 4.8 KW (M3, M4, M11, M12, M21, M22)
0175A00001	HEAT ELEMENT 6.0 KW (M5, M6, M13, M14, M23, M24)
0175A00002	HEAT ELEMENT 7.3 KW (M7, M8, M15, M16, M25, M26)
0175A00003	HEAT ELEMENT 9.8 KW (M17, M18, M27, M28)
B1256551	SEQUENCER 5 KW (M3, M4, M11, M12, M21, M22)
B1256552	SEQUENCER 8 - 10 KW (M5, M6, M7, M8, M13, M14, M15, M16, M17, M18, M23, M24, M25, M26, M27, M28)
B1141643	TRANSFORMER 208/230, 24V

M1 - ACNF180016AA
M2 - ACNF180016AB
M3 - ACNF180516AA
M4 - ACNF180516AB
M5 - ACNF180616AA
M6 - ACNF180616AB
M7 - ACNF180816AA
M8 - ACNF180816AB
M9 - ACNF240016AA
M10 - ACNF240016AB
M11 - ACNF240516AA
M12 - ACNF240516AB
M13 - ACNF240616AA
M14 - ACNF240616AB
M15 - ACNF240816AA
M16 - ACNF240816AB
M17 - ACNF241016AA
M18 - ACNF241016AB
M19 - ACNF300016AA
M20 - ACNF300016AB
M21 - ACNF300516AA
M22 - ACNF300516AB
M23 - ACNF300616AA
M24 - ACNF300616AB
M25 - ACNF300816AA
M26 - ACNF300816AB
M27 - ACNF301016AA
M28 - ACNF301016AB

SPECIAL PARTS

PKC-02	PISTON KIT CHART
--------	------------------

Blower Assembly



Blower Assembly

**Ref. Part
No: No:**

Description:

**Ref. Part
No: No:**

Description:

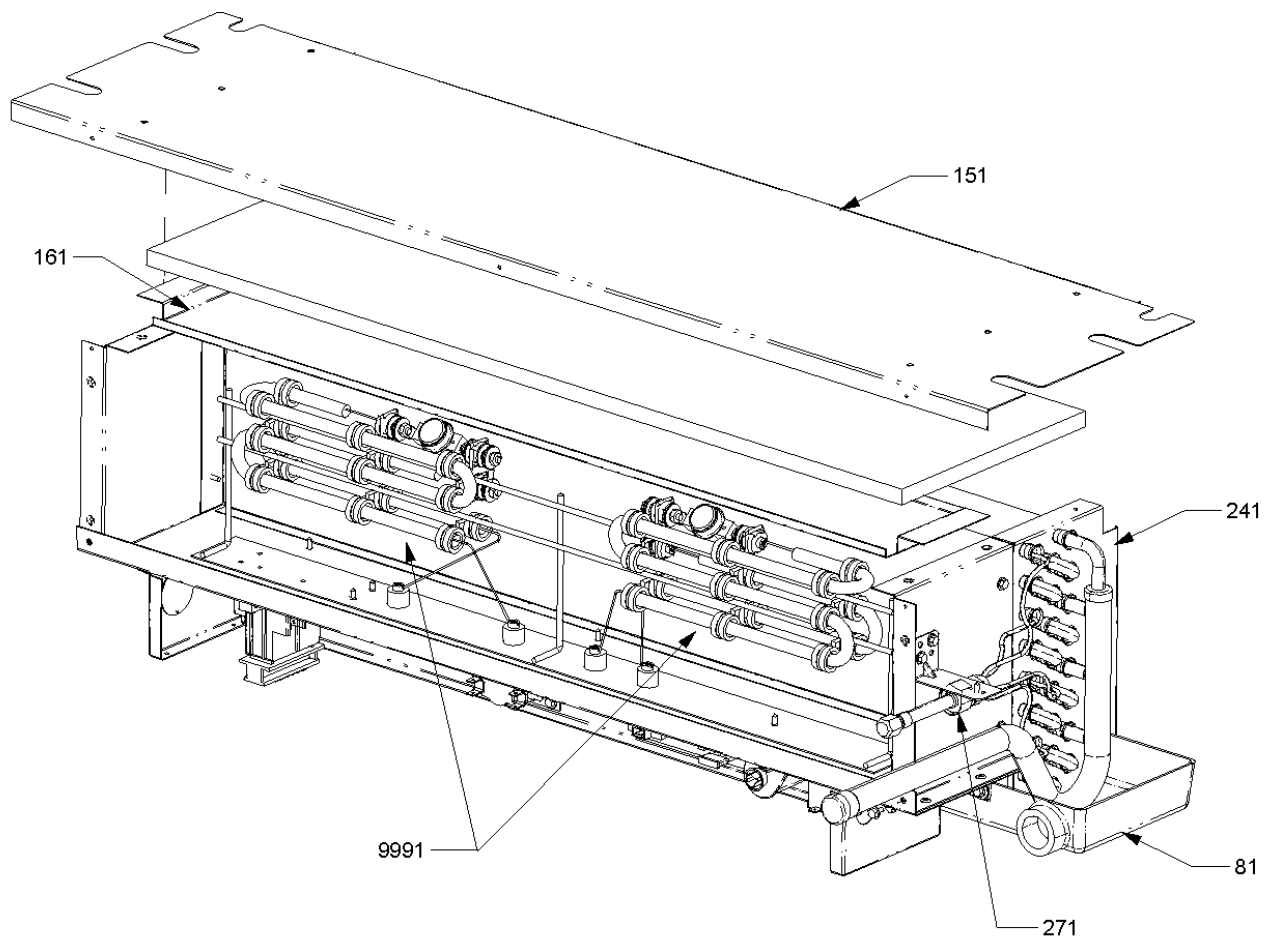
Image 1:

11	BT1340015	BLOWER MOTOR 1/4 HP, 2 SP, 4 PL (M9, M10, M11, M12, M13, M14, M15, M16, M17, M18, M19, M20, M21, M22, M23, M24, M25, M26, M27, M28)
11	BT1340014	BLOWER MOTOR 1/8 HP, 2 SP, 4 PL (M1, M2, M3, M4, M5, M6, M7, M8)
21	0150M00025	Blower Wheel 5.75 X 6.50 (M1, M2, M3, M4, M5, M6, M7, M8)
21	0150M00026	Blower Wheel 6.30 X 8.06 (M9, M10, M11, M12, M13, M14, M15, M16, M17, M18)
21	0150M00027	Blower Wheel 6.70 X 8.06 (M19, M20, M21, M22, M23, M24, M25, M26, M27, M28)
41	BT1392500	MOTOR MOUNT CLAMP (QTY 2)
141	3616000	MOTOR MOUNT BRACKET
151	3642000	VENTURI .375" (M1, M2, M3, M4, M5, M6, M7, M8)
151	3642001	VENTURI 0.5" (M9, M10, M11, M12, M13, M14, M15, M16, M17, M18, M19, M20, M21, M22, M23, M24, M25, M26, M27, M28)
161	3660201	BLOWER HOUSING ASM.10.75 (M9, M10, M11, M12, M13, M14, M15, M16, M17, M18, M19, M20, M21, M22, M23, M24, M25, M26, M27, M28)
161	3660200	BLOWER HOUSING ASM.8" (M1, M2, M3, M4, M5, M6, M7, M8)
171	3617000	MOTOR SHIELD

Expanded Model Nomenclature

M1 - ACNF180016AA
M2 - ACNF180016AB
M3 - ACNF180516AA
M4 - ACNF180516AB
M5 - ACNF180616AA
M6 - ACNF180616AB
M7 - ACNF180816AA
M8 - ACNF180816AB
M9 - ACNF240016AA
M10 - ACNF240016AB
M11 - ACNF240516AA
M12 - ACNF240516AB
M13 - ACNF240616AA
M14 - ACNF240616AB
M15 - ACNF240816AA
M16 - ACNF240816AB
M17 - ACNF241016AA
M18 - ACNF241016AB
M19 - ACNF300016AA
M20 - ACNF300016AB
M21 - ACNF300516AA
M22 - ACNF300516AB
M23 - ACNF300616AA
M24 - ACNF300616AB
M25 - ACNF300816AA
M26 - ACNF300816AB
M27 - ACNF301016AA
M28 - ACNF301016AB

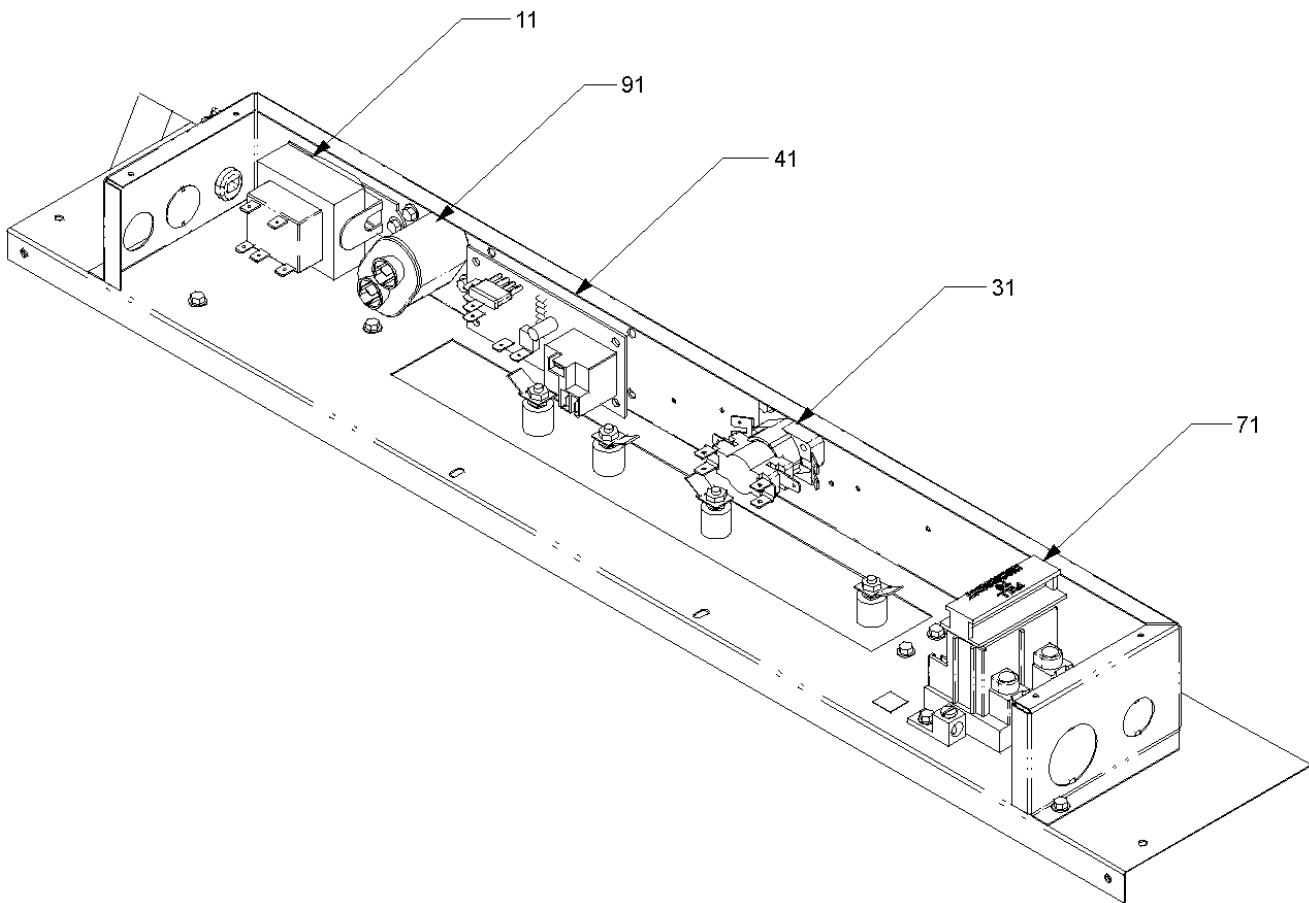
Coil/ Coil Pan/ Heater Assemblies



Coil/ Coil Pan/ Heater Assemblies

Ref. Part No:	No:	Description:	Ref. Part No:	No:	Description:
<i>Image 1:</i>			Expanded Model Nomenclature		
81	BT3076502DF	DRAINPAN, SML, FCA, ACHAC (M1, M2, M3, M4, M5, M6, M7, M8)	M1 -	ACNF180016AA	
81	BT3076504DF	DRAINPAN, SML, FCA, ACHAC (M19, M20, M21, M22, M23, M24, M25, M26, M27, M28)	M2 -	ACNF180016AB	
81	BT3076503DF	DRAINPAN, SML, FCA, AHCAC (M9, M10, M11, M12, M13, M14, M15, M16, M17, M18)	M3 -	ACNF180516AA	
151	3613000	EVAP TOP PANEL (M1, M2, M3, M4, M5, M6, M7, M8)	M4 -	ACNF180516AB	
151	3613001	EVAP TOP PANEL (M9, M10, M11, M12, M13, M14, M15, M16, M17, M18)	M5 -	ACNF180616AA	
151	3613002	EVAP TOP PANEL (M19, M20, M21, M22, M23, M24, M25, M26, M27, M28)	M6 -	ACNF180616AB	
161	3615000	EVAP COIL BLOCK-OFF (M1, M2, M3, M4, M5, M6, M7, M8)	M7 -	ACNF180816AA	
161	3615001	EVAP COIL BLOCK-OFF (M9, M10, M11, M12, M13, M14, M15, M16, M17, M18)	M8 -	ACNF180816AB	
161	3615002	EVAP COIL BLOCK-OFF (M19, M20, M21, M22, M23, M24, M25, M26, M27, M28)	M9 -	ACNF240016AA	
241	0270A00197	TUBING ASSY, EVAP COIL (M1, M2, M3, M4, M5, M6, M7, M8)	M10 -	ACNF240016AB	
241	0270A00209	TUBING ASSY, EVAP COIL (M9, M10, M11, M12, M13, M14, M15, M16, M17, M18)	M11 -	ACNF240516AA	
241	0270A00224	TUBING ASSY, EVAP COIL (M19, M20, M21, M22, M23, M24, M25, M26, M27, M28)	M12 -	ACNF240516AB	
9991	0175A00000	HEAT ELEMENT 4.8 KW (M3, M4, M11, M12, M21, M22)	M13 -	ACNF240616AA	
9991	0175A00001	HEAT ELEMENT 6.0 KW (M5, M6, M13, M14, M23, M24)	M14 -	ACNF240616AB	
9991	0175A00002	HEAT ELEMENT 7.3 KW (M7, M8, M15, M16, M25, M26)	M15 -	ACNF240816AA	
9991	0175A00003	HEAT ELEMENT 9.8 KW (M17, M18, M27, M28)	M16 -	ACNF240816AB	
NS	3630005	EVAP SUPPORT ASSY LRG (M19, M20, M21, M22, M23, M24, M25, M26, M27, M28)	M17 -	ACNF241016AA	
NS	3630004	EVAP SUPPORT ASSY MED (M9, M10, M11, M12, M13, M14, M15, M16, M17, M18)	M18 -	ACNF241016AB	
NS	3630003	EVAP SUPPORT ASSY SML (M1, M2, M3, M4, M5, M6, M7, M8)	M19 -	ACNF300016AA	
NS	BT1787000	VALVE CORE	M20 -	ACNF300016AB	
			M21 -	ACNF300516AA	
			M22 -	ACNF300516AB	
			M23 -	ACNF300616AA	
			M24 -	ACNF300616AB	
			M25 -	ACNF300816AA	
			M26 -	ACNF300816AB	
			M27 -	ACNF301016AA	
			M28 -	ACNF301016AB	

Control Box Assembly



Control Box Assembly

Ref. Part No: No:	Description:	Ref. Part No: No:	Description:
-------------------	--------------	-------------------	--------------

Image 1:

11	B1141643	TRANSFORMER 208/230, 24V
31	B1256551	SEQUENCER 5 KW (M3, M4, M11, M12, M21, M22)
31	B1256552	SEQUENCER 8 - 10 KW (M5, M6, M7, M8, M13, M14, M15, M16, M17, M18, M23, M24, M25, M26, M27, M28)
41	PCBFM131	ELECTRONIC BLOWER TIME DELAY RELAY
71	BT1753510	DISCONNECT, PULL OUT
91	CAP050000370VA	CAPACITOR 5/370V

Expanded Model Nomenclature

M1 - ACNF180016AA
M2 - ACNF180016AB
M3 - ACNF180516AA
M4 - ACNF180516AB
M5 - ACNF180616AA
M6 - ACNF180616AB
M7 - ACNF180816AA
M8 - ACNF180816AB
M9 - ACNF240016AA
M10 - ACNF240016AB
M11 - ACNF240516AA
M12 - ACNF240516AB
M13 - ACNF240616AA
M14 - ACNF240616AB
M15 - ACNF240816AA
M16 - ACNF240816AB
M17 - ACNF241016AA
M18 - ACNF241016AB
M19 - ACNF300016AA
M20 - ACNF300016AB
M21 - ACNF300516AA
M22 - ACNF300516AB
M23 - ACNF300616AA
M24 - ACNF300616AB
M25 - ACNF300816AA
M26 - ACNF300816AB
M27 - ACNF301016AA
M28 - ACNF301016AB

SHOWN UPSIDE DOWN FOR CLARITY