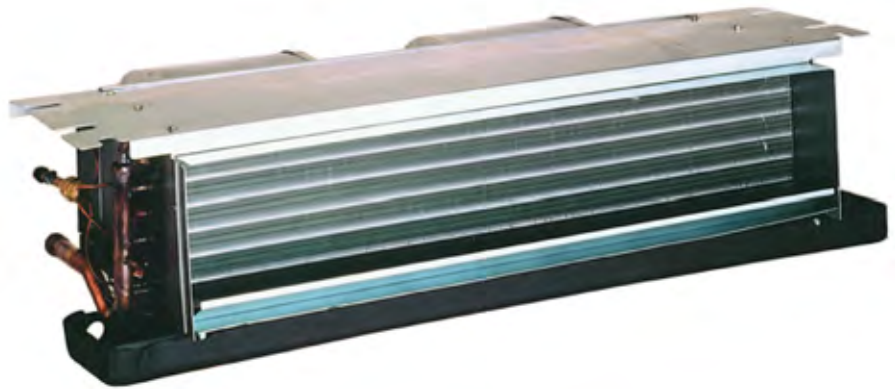


# REPAIR PARTS

---

## 13 SEER ACNF Ceiling Mount Air Handlers

ACNF18001AA  
ACNF18051AA  
ACNF18061AA  
ACNF18081AA  
ACNF24001AA  
ACNF24001BA  
ACNF24051AA  
ACNF24051BA  
ACNF24061AA  
ACNF24061BA  
ACNF24081AA  
ACNF24081BA  
ACNF24101AA  
ACNF24101BA  
ACNF30001AA  
ACNF30051AA  
ACNF30061AA  
ACNF30081AA  
ACNF30101AA



Goodman Manufacturing Company, L.P.  
5151 San Felipe, Suite 500  
Houston, TX 77056

[www.goodmanmfg.com](http://www.goodmanmfg.com) [www.amana-hac.com](http://www.amana-hac.com)

RP-374B  
April 2007

# Important Information

---

## Index

Functional Parts List .....	3
Illustration and Parts .....	4 - 9

*Views shown are for parts illustrations only, not servicing procedures*

Rev. B: Added "BA" models.

### Text Codes:

AR - As Required

NA - Not Available

NS - Not Shown

00000000 - See Note

QTY - Quantity Example (QTY 3) (If Quantity not shown, Quantity = 1)

M - Model Example (M1) (If M Code not shown, then part is used on all Models)

### Expanded Model Nomenclature:

Example M1 - Model#1 M2 - Model#2 M3 - Model#3
---

Goodman Manufacturing Company, L.P. is not responsible for personal injury or property damage resulting from improper service. Review all service information before beginning repairs.

Warranty service must be performed by an authorized technician, using authorized factory parts. If service is required after the warranty expires, Goodman Manufacturing Company, L.P. also recommends contacting an authorized technician and using authorized factory parts.

Goodman Manufacturing Company, L.P. reserves the right to discontinue, or change at any time, specifications or designs without notice or without incurring obligations.

For assistance within the U.S.A. contact:  
Consumer Affairs Department  
Goodman Manufacturing Company, L.P.  
7401 Security Way  
Houston, Texas 77040  
877-254-4729-Telephone  
713-863-2382-Facsimile

For assistance outside the U.S.A. contact:  
International Division  
Goodman Manufacturing Company, L.P.  
7401 Security Way  
Houston, Texas 77040  
713-861-2500-Telephone  
713-863-2382-Facsimile

# Functional Parts

**Part**

**No: Description:**

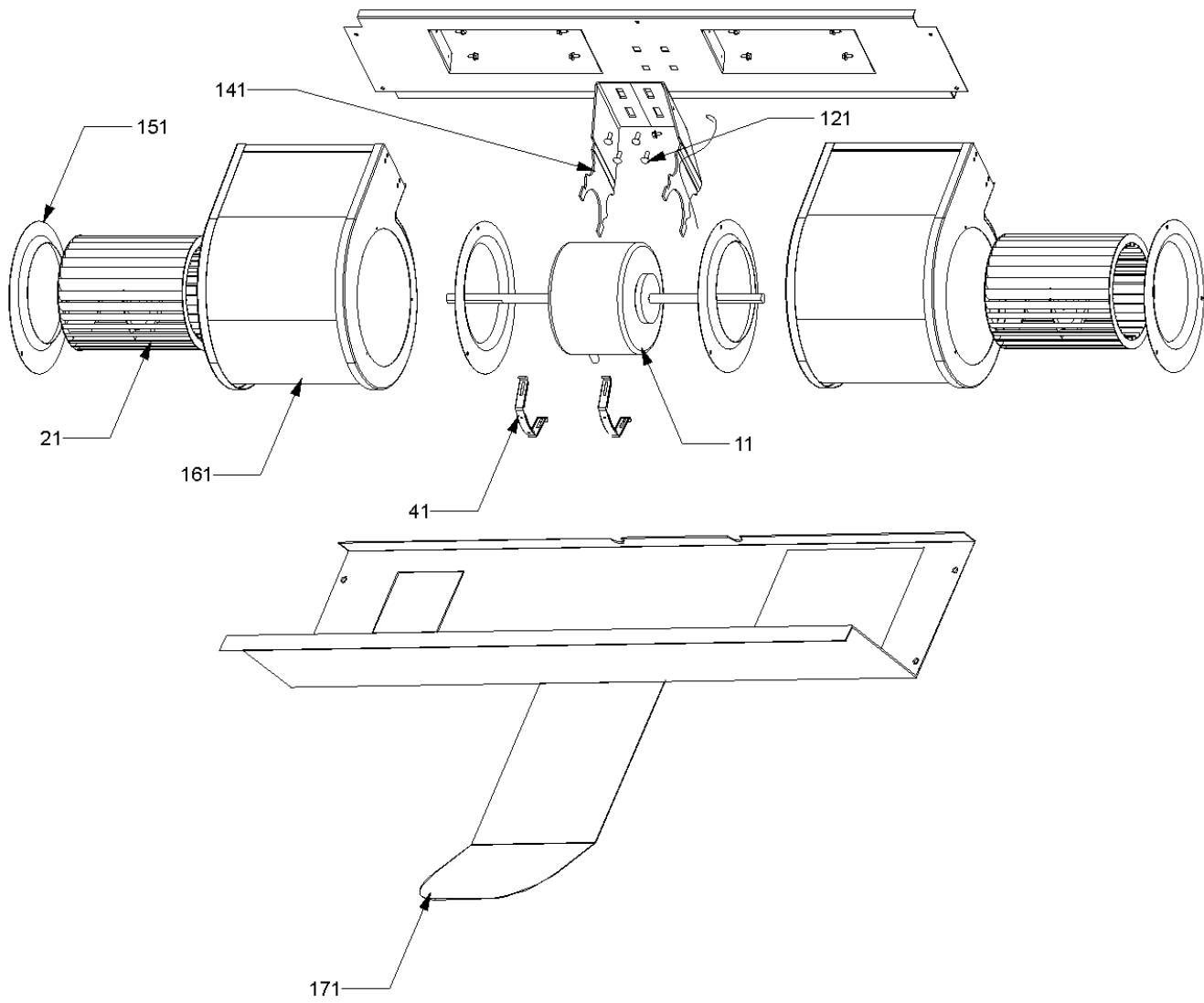
Expanded Model Nomenclature

0270A00079PS	ASSY, EVAP COIL (M1, M2, M3, M4)	M1 - ACNF18001AA
0270A00080PS	ASSY, EVAP COIL (M5, M7, M9, M11, M13)	M2 - ACNF18051AA
0270A00081PS	ASSY, EVAP COIL (M15, M16, M17, M18, M19)	M3 - ACNF18061AA
B1370735S	BOARD, ELECTRONIC TIME DELAY RELAY	M4 - ACNF18081AA
CAP050000370VA	CAPACITOR 5/370V	M5 - ACNF24001AA
BT1753510S	DISCONNECT, PULL-OUT	M6 - ACNF24001BA
0175A00000	HEAT ELEMENT 4.8 KW (M2, M7, M8, M16)	M7 - ACNF24051AA
0175A00001	HEAT ELEMENT 6.0 KW (M3, M9, M10, M17)	M8 - ACNF24051BA
0175A00002	HEAT ELEMENT 7.3 KW (M4, M11, M12, M18)	M9 - ACNF24061AA
0175A00003	HEAT ELEMENT 9.8 KW (M13, M14, M19)	M10 - ACNF24061BA
BT1340015S	MOTOR 1/4 HP, 2 SP, 4 PL (M5, M6, M7, M8, M9, M10, M11, M12, M13, M14, M15, M16, M17, M18, M19)	M11 - ACNF24081AA
BT1340014S	MOTOR 1/8 HP, 2 SP, 4 PL (M1, M2, M3, M4)	M12 - ACNF24081BA
B1256551	SEQUENCER 5 KW (M2, M7, M8)	M13 - ACNF24101AA
B1256552	SEQUENCER 8-10 KW (M3, M4, M9, M10, M11, M12, M13, M14, M17, M18, M19)	M14 - ACNF24101BA
B1141643	TRANSFORMER 208/230, 24V	M15 - ACNF30001AA
BT1787000	VALVE CORE	M16 - ACNF30051AA
		M17 - ACNF30061AA
		M18 - ACNF30081AA
		M19 - ACNF30101AA

**SPECIAL PARTS**

IO-282A	INSTALLATION INSTRUCTIONS
PKC-00X	PISTON KIT CHART
RP-374B	REPAIR PARTS MANUAL

# Blower Assembly



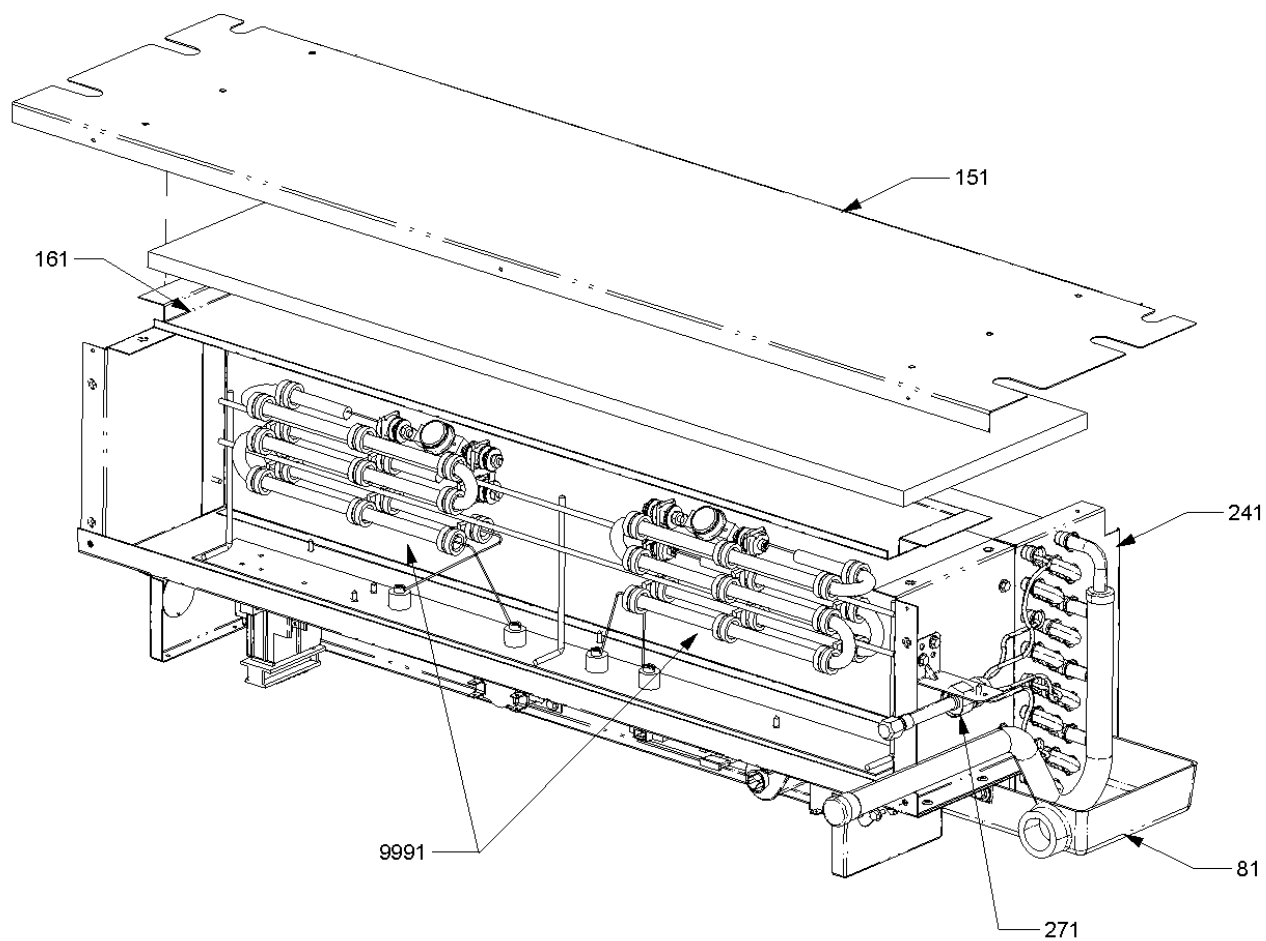
# Blower Assembly

Ref Part No:	Description:	Ref. Part No:	Description:
<i>Image 1:</i>			
11	BT1340015S		MOTOR 1/4 HP, 2 SP, 4 PL (M5, M6, M7, M8, M9, M10, M11, M12, M13, M14, M15, M16, M17, M18, M19)
11	BT1340014S		MOTOR 1/8 HP, 2 SP, 4 PL (M1, M2, M3, M4)
21	BT1368011		BLOWER WHEEL 5.75 X 6.75 (M1, M2, M3, M4)
21	BT1368012		BLOWER WHEEL 6.31 X 8.25 (M5, M6, M7, M8, M9, M10, M11, M12, M13, M14)
21	BT1368013		BLOWER WHEEL 6.75 X 8.25 (M15, M16, M17, M18, M19)
41	BT1392500		CLAMP, MOTOR MOUNT (QTY 2)
121	BT1393706		CARRIAGE BOLT, .31 - 18 X .625 (QTY 4)
141	3616000		MOTOR MOUNT BRACKET
151	3642000		VENTURI RING .375" (M1, M2, M3, M4)
151	3642001		VENTURI RING .500" (M5, M6, M7, M8, M9, M10, M11, M12, M13, M14, M15, M16, M17, M18, M19)
161	3660201S		ASSY, BLOWER HOUSING 10.75 (M5, M6, M7, M8, M9, M10, M11, M12, M13, M14, M15, M16, M17, M18, M19)
161	3660200S		ASSY, BLOWER HOUSING 8" (M1, M2, M3, M4)
171	3617000		MOTOR SHIELD

## Expanded Model Nomenclature

- M1 - ACNF18001AA
- M2 - ACNF18051AA
- M3 - ACNF18061AA
- M4 - ACNF18081AA
- M5 - ACNF24001AA
- M6 - ACNF24001BA
- M7 - ACNF24051AA
- M8 - ACNF24051BA
- M9 - ACNF24061AA
- M10 - ACNF24061BA
- M11 - ACNF24081AA
- M12 - ACNF24081BA
- M13 - ACNF24101AA
- M14 - ACNF24101BA
- M15 - ACNF30001AA
- M16 - ACNF30051AA
- M17 - ACNF30061AA
- M18 - ACNF30081AA
- M19 - ACNF30101AA

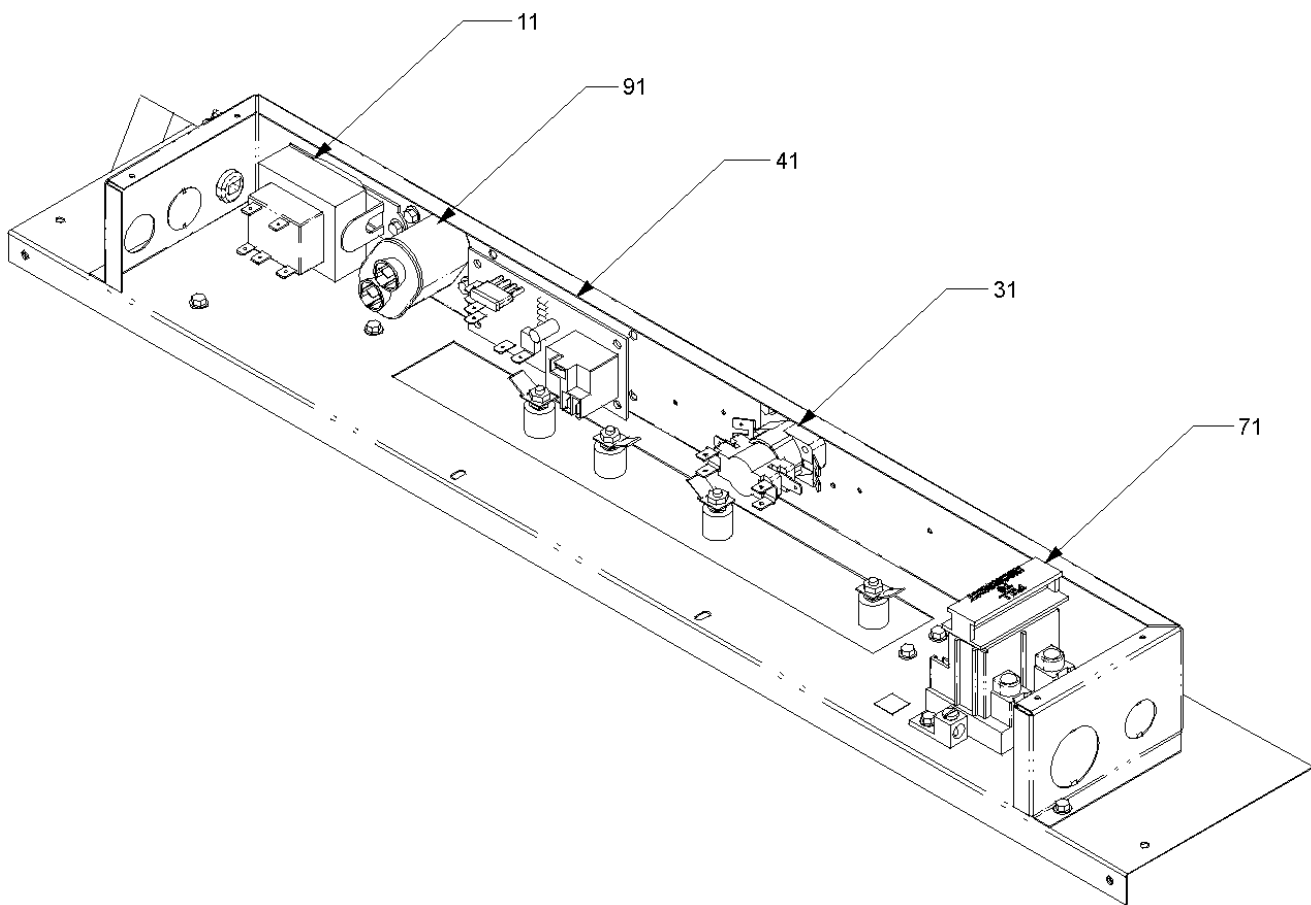
# Coil/ Coil Pan/ Heater Assemblies



# Coil/ Coil Pan/ Heater Assemblies

Ref Part No:	Description:	Ref. Part No:	Description:
<i>Image 1:</i>		Expanded Model Nomenclature	
81	3670002 DRAIN PAN, SERVICE KIT LRG (M15, M16, M17, M18, M19)	M1 - ACNF18001AA	
81	3670001 DRAIN PAN, SERVICE KIT MED (M5, M6, M7, M8, M9, M10, M11, M12, M13, M14)	M2 - ACNF18051AA	
81	3670000 DRAIN PAN, SERVICE KIT SML (M1, M2, M3, M4)	M3 - ACNF18061AA	
151	3613000 EVAP TOP PANEL 1.5 & 2 TON (M1, M2, M3, M4)	M4 - ACNF18081AA	
151	3613001 EVAP TOP PANEL 2.5 TON (M5, M6, M7, M8, M9, M10, M11, M12, M13, M14)	M5 - ACNF24001AA	
151	3613002 EVAP TOP PANEL 3 TON (M15, M16, M17, M18, M19)	M6 - ACNF24001BA	
161	3615000 BLOCK-OFF, EVAP COIL 1.5 & 2 TON (M1, M2, M3, M4)	M7 - ACNF24051AA	
161	3615001 BLOCK-OFF, EVAP COIL 2.5 TON (M5, M6, M7, M8, M9, M10, M11, M12, M13, M14)	M8 - ACNF24051BA	
161	3615002 BLOCK-OFF, EVAP COIL 3 TON (M15, M16, M17, M18, M19)	M9 - ACNF24061AA	
241	0270A00079PS ASSY, EVAP COIL (M1, M2, M3, M4)	M10 - ACNF24061BA	
241	0270A00080PS ASSY, EVAP COIL (M5, M7, M9, M11, M13)	M11 - ACNF24081AA	
241	0270A00081PS ASSY, EVAP COIL (M15, M16, M17, M18, M19)	M12 - ACNF24081BA	
241	0270A00110S ASSY, EVAP COIL (M6, M8, M10, M12, M14)	M13 - ACNF24101AA	
241	0270A00113S ASSY, EVAP COIL	M14 - ACNF24101BA	
271	0162A00003 FLOWRATOR .055 (M1, M2, M3, M4)	M15 - ACNF30001AA	
271	B1314459 FLOWRATOR .059 (M5, M6, M7, M8, M9, M10, M11, M12, M13, M14)	M16 - ACNF30051AA	
271	BT1369005 FLOWRATOR .065 (M15, M16, M17, M18, M19)	M17 - ACNF30061AA	
9991	0175A00000 HEAT ELEMENT 4.8 KW (M2, M7, M8, M16)	M18 - ACNF30081AA	
9991	0175A00001 HEAT ELEMENT 6.0 KW (M3, M9, M10, M17)	M19 - ACNF30101AA	
9991	0175A00002 HEAT ELEMENT 7.3 KW (M4, M11, M12, M18)		
9991	0175A00003 HEAT ELEMENT 9.8 KW (M13, M14, M19)		
NS	3630005 SPOTWELD ASSY, EVAP LRG (M15, M16, M17, M18, M19)		
NS	3630004S SPOTWELD ASSY, EVAP MED (M5, M6, M7, M8, M9, M10, M11, M12, M13, M14)		
NS	3630003S SPOTWELD ASSY, EVAP SML (M1, M2, M3, M4)		
NS	BT1787000 VALVE CORE		

# Control Box Assembly



# Control Box Assembly

Ref Part No:	Description:	Ref. Part No:	Description:
--------------	--------------	---------------	--------------

Image 1:

11	B1141643	TRANSFORMER 208/230, 24V
31	B1256551	SEQUENCER 5 KW (M2, M7, M8)
31	B1256552	SEQUENCER 8-10 KW (M3, M4, M9, M10, M11, M12, M13, M14, M17, M18, M19)
41	B1370735S	BOARD, ELECTRONIC TIME DELAY RELAY
71	BT1753510S	DISCONNECT, PULL-OUT
91	CAP050000370VA	CAPACITOR 5/370V
NS	3630008	BLOCK-OFF, CONTROL BOX (M1, M5, M6, M15)

Expanded Model Nomenclature

M1 - ACNF18001AA
M2 - ACNF18051AA
M3 - ACNF18061AA
M4 - ACNF18081AA
M5 - ACNF24001AA
M6 - ACNF24001BA
M7 - ACNF24051AA
M8 - ACNF24051BA
M9 - ACNF24061AA
M10 - ACNF24061BA
M11 - ACNF24081AA
M12 - ACNF24081BA
M13 - ACNF24101AA
M14 - ACNF24101BA
M15 - ACNF30001AA
M16 - ACNF30051AA
M17 - ACNF30061AA
M18 - ACNF30081AA
M19 - ACNF30101AA

SHOWN UPSIDE DOWN FOR CLARITY