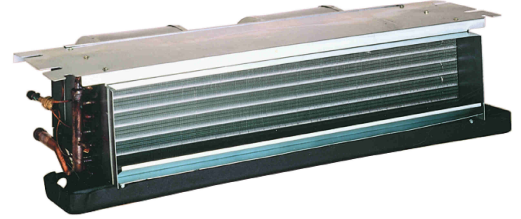


REPAIR PARTS

ACNF Horizontal Fan Coil

ACNF180016DE
ACNF180016DF
ACNF180016DG
ACNF180516DF
ACNF180516DG
ACNF180516DH
ACNF180816DF
ACNF180816DG
ACNF180816DH
ACNF240016DD
ACNF240016DE
ACNF240016DF
ACNF240516DE
ACNF240516DF
ACNF240516DG
ACNF240616DE
ACNF240616DF
ACNF240616DG
ACNF240816DE
ACNF240816DF
ACNF240816DG
ACNF250016AC
ACNF250516AC
ACNF250616AC
ACNF250816AC
ACNF251016AC
ACNF300516DE
ACNF300816DE
ACNF301016DE



This manual is to be used by qualified technicians only.

© 2023 Goodman Manufacturing Company, L.P. ♦ 19001 Kermier Rd. ♦ Waller, TX 77484

Important Information

Index

Functional Parts List	3
Illustration and Parts	4 - 9

Views shown are for parts illustrations only, not servicing procedures.

Text Codes:

AR - As Required

NA - Not Available

NS - Not Shown

00000000 - See Note

QTY - Quantity Example (QTY 3) (If Quantity not shown, Quantity = 1)

M - Model Example (M1) (If M Code not shown, then part is used on all Models)

Expanded Model Nomenclature:

Example M1 - Model#1 M2 - Model#2 M3 - Model#3

Goodman Manufacturing Company, L.P. is not responsible for personal injury or property damage resulting from improper service. Review all service information before beginning repairs.

Warranty service must be performed by an authorized technician, using authorized factory parts. If service is required after the warranty expires, Goodman Manufacturing Company, L.P. also recommends contacting an authorized technician and using authorized factory parts.

Goodman Manufacturing Company, L.P. reserves the right to discontinue, or change at any time, specifications or designs without notice or without incurring obligations.

For assistance within the U.S.A. contact:
Homeowner Support
Goodman Manufacturing Company, L.P.
19001 Kermier Road
Waller, Texas 77484
877-254-4729-Telephone
713-863-2382-Facsimile

For assistance outside the U.S.A. contact:
International Division
Goodman Manufacturing Company, L.P.
19001 Kermier Road
Waller, Texas 77484
713-861-2500-Telephone
713-863-2382-Facsimile

Functional Parts

Part No: **Description:**

0131M00779	ACNF25 BLDC CONTROLLER-1/4 HP (M22, M23, M24, M25, M26)
0131M00778	BLDC MOTOR-1/4 HP (M22, M23, M24, M25, M26)
CAP050000370LA	CAPACITOR 5/370V (M1, M2, M3, M4, M5, M6, M7, M8, M9, M10, M11, M12, M13, M14, M15, M16, M17, M18, M19, M20, M21, M27, M28, M29)
CONT2P040024V	CONTACTOR 40 AMP, 2P, 24V (M4, M5, M6, M7, M8, M9, M13, M14, M15, M16, M17, M18, M19, M20, M21, M23, M24, M25, M26, M27, M28, M29)
0175A00000	HEAT ELEMENT 4.8 KW (M4, M5, M6, M13, M14, M15, M23, M27)
0175A00001	HEAT ELEMENT 6.0 KW (M16, M17, M18, M24)
0175A00002	HEAT ELEMENT 7.3 KW (M7, M8, M9, M19, M20, M21, M25, M28)
0175A00003	HEAT ELEMENT 9.8 KW (M26, M29)
0131M00803	MOTOR, 1/4 HP, 2 SP, 4 PL (M10, M11, M12, M13, M14, M15, M16, M17, M18, M19, M20, M21, M27, M28, M29)
0131A00027	MOTOR, 1/8HP, 2SP, 4PL (M1, M2, M3, M4, M5, M6, M7, M8, M9)
PCBFM132	PCB, TIME DELAY (M1, M3, M4, M6, M7, M9, M10, M12, M13, M15, M16, M18, M19, M21, M27, M28, M29)
PCBFM103	PCB, TIME DELAY, EBTDR (M2, M5, M8, M11, M14, M17, M20)
0130M00138	TRANSFORMER 208/230, 24V

Expanded Model Nomenclature

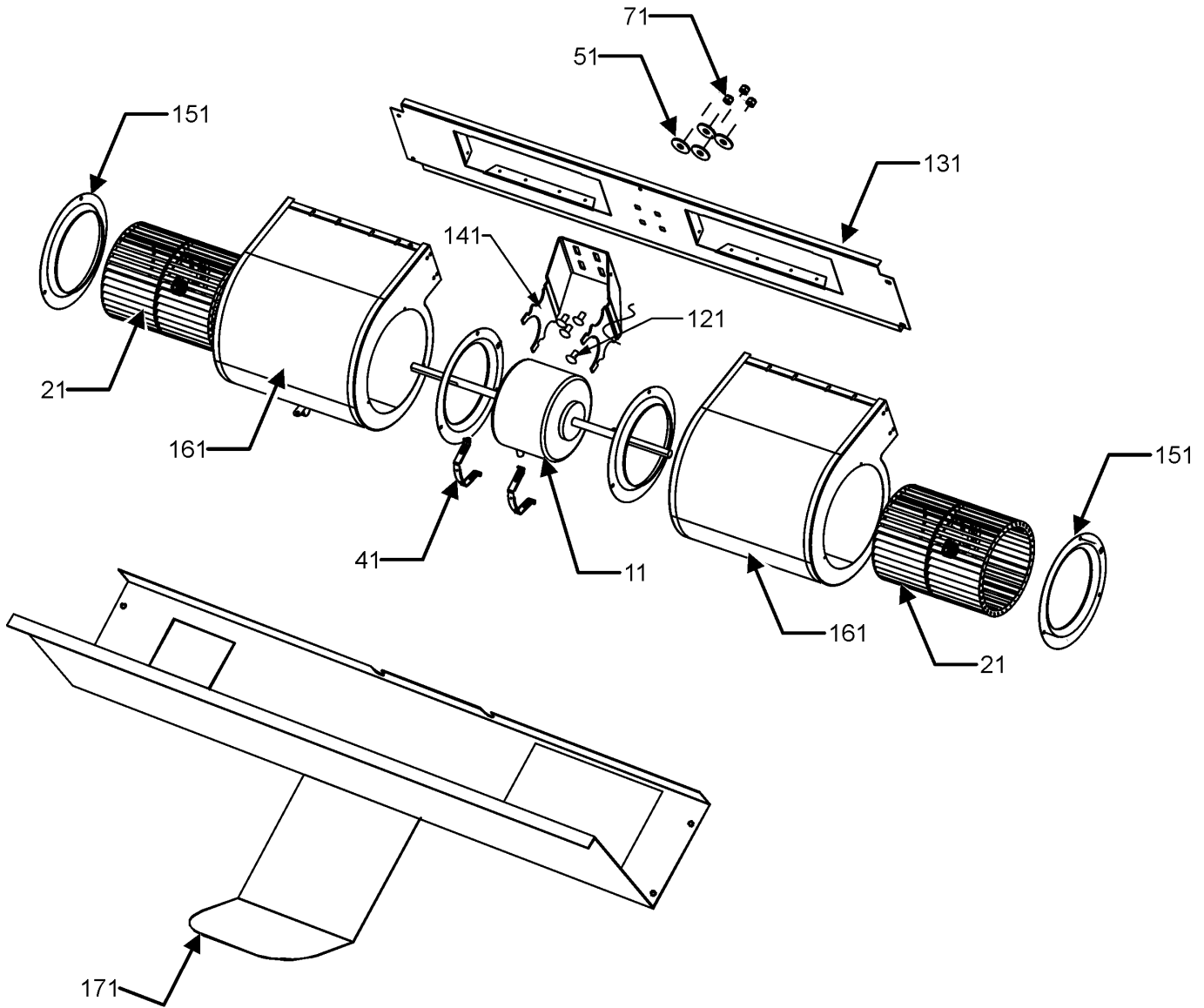
M1 - ACNF180016DE
M2 - ACNF180016DF
M3 - ACNF180016DG
M4 - ACNF180516DF
M5 - ACNF180516DG
M6 - ACNF180516DH
M7 - ACNF180816DF
M8 - ACNF180816DG
M9 - ACNF180816DH
M10 - ACNF240016DD
M11 - ACNF240016DE
M12 - ACNF240016DF
M13 - ACNF240516DE
M14 - ACNF240516DF
M15 - ACNF240516DG
M16 - ACNF240616DE
M17 - ACNF240616DF
M18 - ACNF240616DG
M19 - ACNF240816DE
M20 - ACNF240816DF
M21 - ACNF240816DG
M22 - ACNF250016AC
M23 - ACNF250516AC
M24 - ACNF250616AC
M25 - ACNF250816AC
M26 - ACNF251016AC
M27 - ACNF300516DE
M28 - ACNF300816DE
M29 - ACNF301016DE

SPECIAL PARTS

PKCG-4001ZC	PISTON KIT CHART
-------------	------------------

Blower Assembly

BLOWER ASSEMBLY



Blower Assembly

Ref. Part No:	Ref. Part No:	Description:	Description:
Image 1:		Expanded Model Nomenclature	
11	0131M00778	BLDC MOTOR-1/4 HP (M22, M23, M24, M25, M26)	M1 - ACNF180016DE
11	0131M00803	MOTOR, 1/4 HP, 2 SP, 4 PL (M10, M11, M12, M13, M14, M15, M16, M17, M18, M19, M20, M21, M27, M28, M29)	M2 - ACNF180016DF
11	0131A00027	MOTOR, 1/8HP, 2SP, 4PL (M1, M2, M3, M4, M5, M6, M7, M8, M9)	M3 - ACNF180016DG
21	0150M00025	Blower Wheel 5.75 X 6.50 (M1, M2, M3, M4, M5, M6, M7, M8, M9)	M4 - ACNF180516DF
21	0150M00026	Blower Wheel 6.30 X 8.06 (M10, M11, M12, M13, M14, M15, M16, M17, M18, M19, M20, M21, M22, M23, M24, M25, M26)	M5 - ACNF180516DG
21	0150M00027	Blower Wheel 6.70 X 8.06 (M27, M28, M29)	M6 - ACNF180516DH
41	BT1392500	MOTOR MOUNT CLAMP (QTY 2)	M7 - ACNF180816DF
51	B1392919	WASHER, 3/8 FENDER (QTY 4)	M8 - ACNF180816DG
71	B1393804	NYLON LOCKNUT, .31-18 (QTY 4)	M9 - ACNF180816DH
121	BT1393706	CARRIAGE BOLT .31 - 18 X .625" (QTY 4)	M10 - ACNF240016DD
131	3614005	BLOWER DECK 10.75", LARGE (M27, M28, M29)	M11 - ACNF240016DE
131	3614003	BLOWER DECK 10.750", MED (M10, M11, M12, M13, M14, M15, M16, M17, M18, M19, M20, M21, M22, M23, M24, M25, M26)	M12 - ACNF240016DF
131	3614000	BLOWER DECK 8", SMALL (M1, M2, M3, M4, M5, M6, M7, M8, M9)	M13 - ACNF240516DE
141	3616000	MOTOR MOUNT BRACKET	M14 - ACNF240516DF
151	3642000	VENTURI .375" (M1, M2, M3, M4, M5, M6, M7, M8, M9)	M15 - ACNF240516DG
151	3642001	VENTURI 0.5" (M10, M11, M12, M13, M14, M15, M16, M17, M18, M19, M20, M21, M22, M23, M24, M25, M26, M27, M28, M29)	M16 - ACNF240616DE
161	3660200	BLOWER HOUSING (M1, M2, M3, M4, M5, M6, M7, M8, M9)	M17 - ACNF240616DF
161	3660201	BLOWER HOUSING (M10, M11, M12, M13, M14, M15, M16, M17, M18, M19, M20, M21, M22, M23, M24, M25, M26, M27, M28, M29)	M18 - ACNF240616DG
171	3617000	MOTOR SHIELD	M19 - ACNF240816DE
			M20 - ACNF240816DF
			M21 - ACNF240816DG
			M22 - ACNF250016AC
			M23 - ACNF250516AC
			M24 - ACNF250616AC
			M25 - ACNF250816AC
			M26 - ACNF251016AC
			M27 - ACNF300516DE
			M28 - ACNF300816DE
			M29 - ACNF301016DE

Coil/ Coil Pan/ Heater Assemblies

IMAGE 1

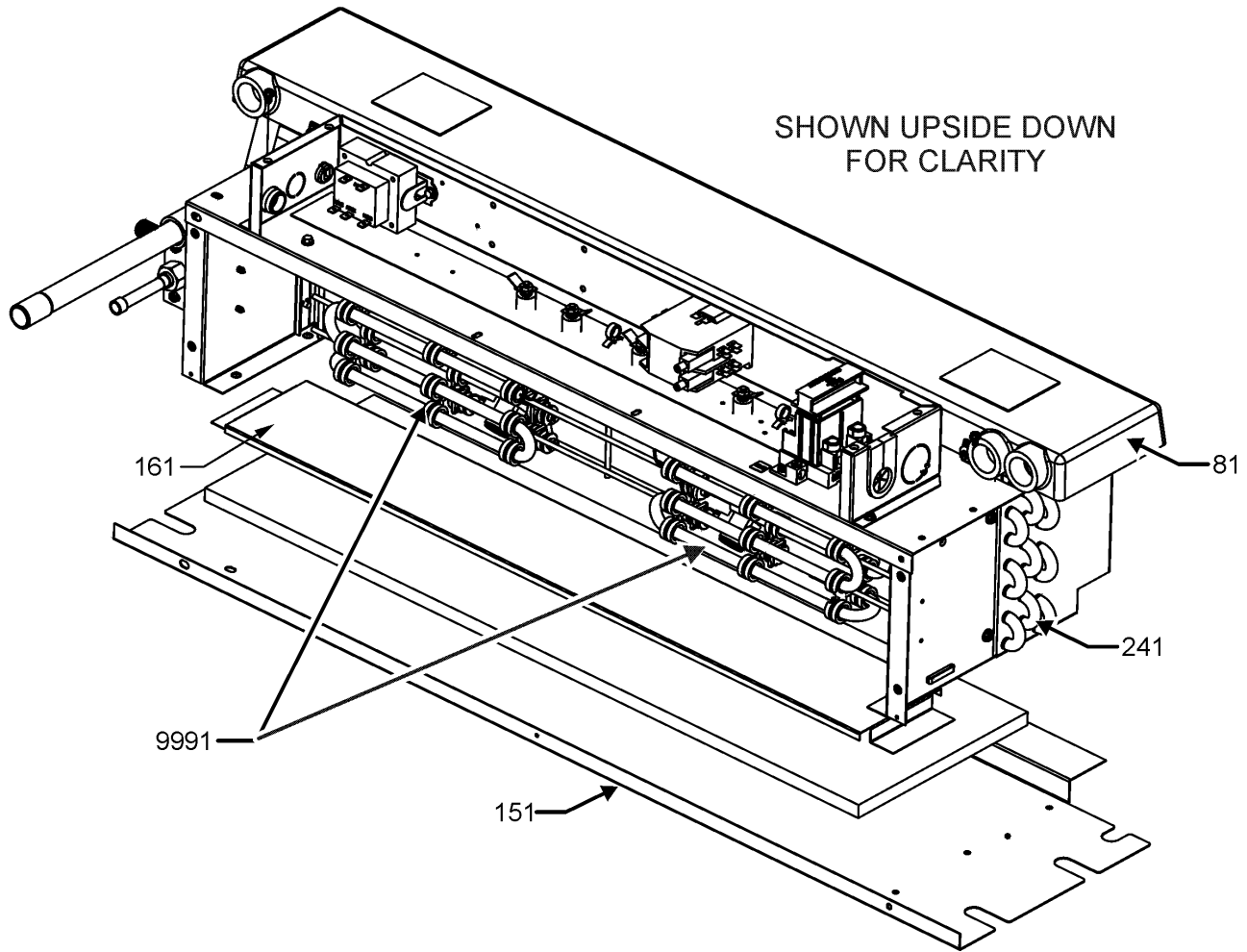
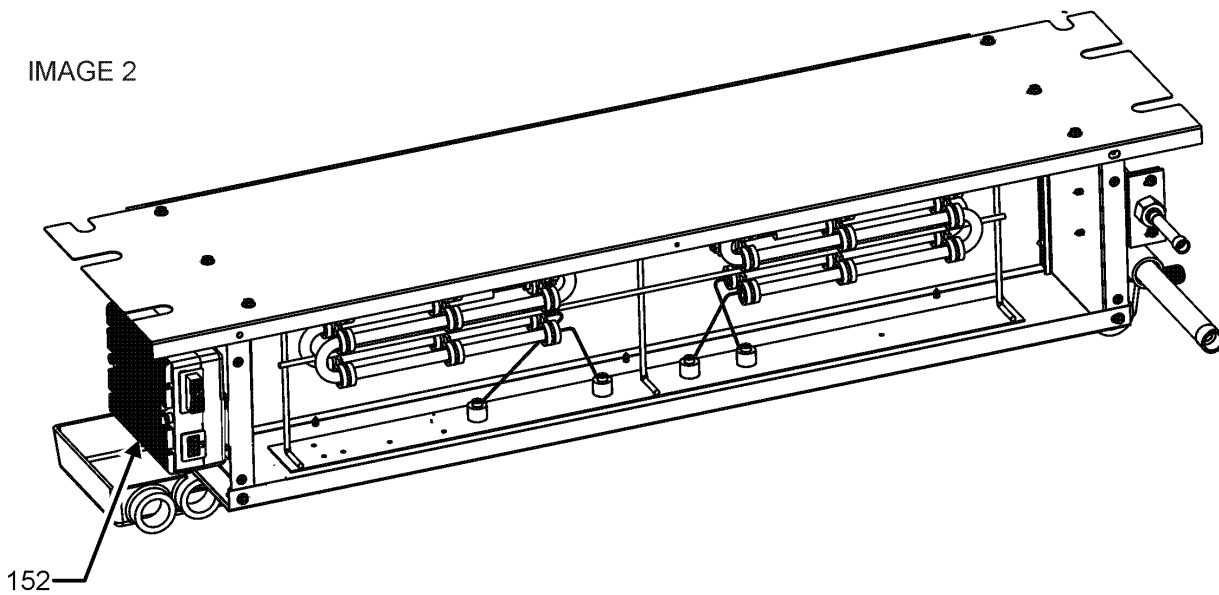


IMAGE 2



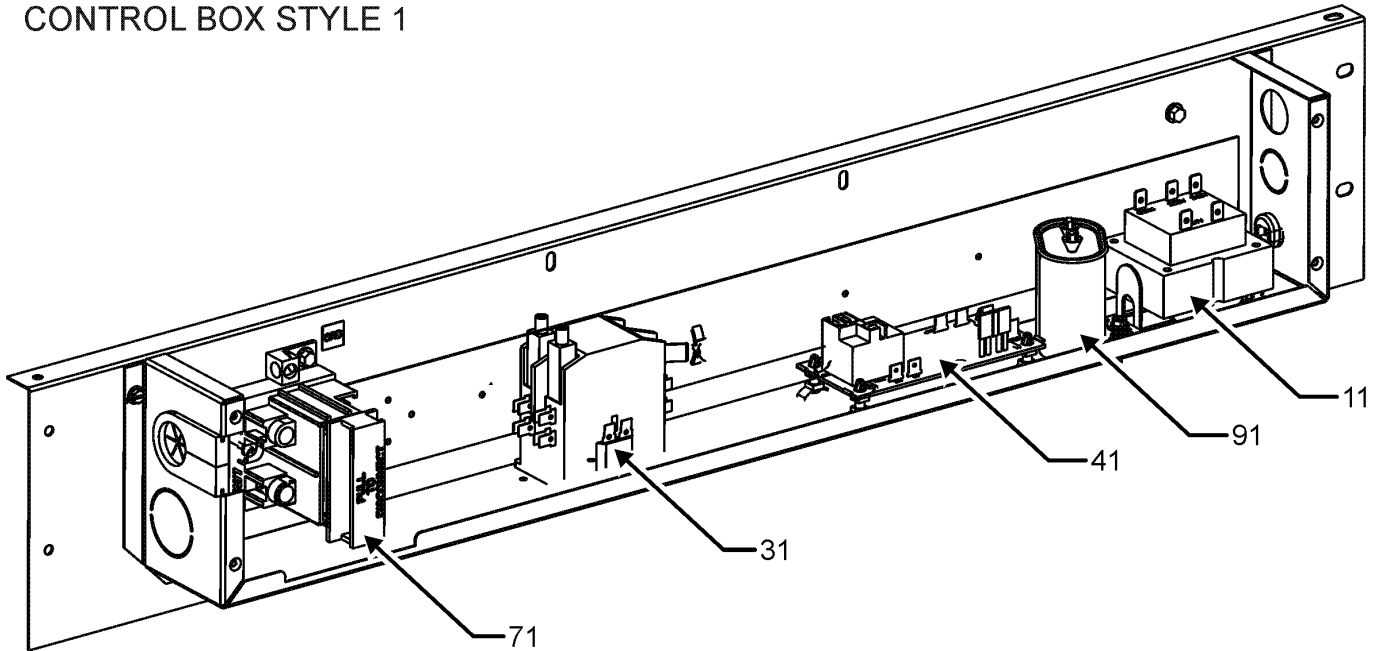
Coil/ Coil Pan/ Heater Assemblies

Ref. Part No:	Ref. Part No:	Description:	Description:
Image 1:		Expanded Model Nomenclature	
81	BT3076504DF	DRAINPAN, LARGE, FCA, ACHAC (M27, M28, M29)	M1 - ACNF180016DE
81	BT3076503DF	DRAINPAN, MED, FCA, ACHAC (M10, M11, M12, M13, M14, M15, M16, M17, M18, M19, M20, M21, M22, M23, M24, M25, M26)	M2 - ACNF180016DF
81	BT3076502DF	DRAINPAN, SML, FCA, ACHAC (M1, M2, M3, M4, M5, M6, M7, M8, M9)	M3 - ACNF180016DG
151	3613000	EVAP TOP PANEL (M1, M2, M3, M4, M5, M6, M7, M8, M9)	M4 - ACNF180516DF
151	3613001	EVAP TOP PANEL (M10, M11, M12, M13, M14, M15, M16, M17, M18, M19, M20, M21, M22, M23, M24, M25, M26)	M5 - ACNF180516DG
151	3613002	EVAP TOP PANEL (M27, M28, M29)	M6 - ACNF180516DH
161	3615000	EVAP COIL BLOCK-OFF (M1, M2, M3, M4, M5, M6, M7, M8, M9)	M7 - ACNF180816DF
161	3615001	EVAP COIL BLOCK-OFF (M10, M11, M12, M13, M14, M15, M16, M17, M18, M19, M20, M21, M22, M23, M24, M25, M26)	M8 - ACNF180816DG
161	3615002	EVAP COIL BLOCK-OFF (M27, M28, M29)	M9 - ACNF180816DH
241	0270A01252	COIL TUBING ASSY (M1, M2, M3, M4, M5, M6, M7, M8, M9)	M10 - ACNF240016DD
241	0270A01258	COIL TUBING ASSY (M10, M11, M12, M13, M14, M15, M16, M17, M18, M19, M20, M21, M22, M23, M24, M25, M26)	M11 - ACNF240016DE
241	0270A01259	COIL TUBING ASSY (M27, M28, M29)	M12 - ACNF240016DF
9991	0175A00000	HEAT ELEMENT 4.8 KW (M4, M5, M6, M13, M14, M15, M23, M27)	M13 - ACNF240516DE
9991	0175A00001	HEAT ELEMENT 6.0 KW (M16, M17, M18, M24)	M14 - ACNF240516DF
9991	0175A00002	HEAT ELEMENT 7.3 KW (M7, M8, M9, M19, M20, M21, M25, M28)	M15 - ACNF240516DG
9991	0175A00003	HEAT ELEMENT 9.8 KW (M26, M29)	M16 - ACNF240616DE
NS	0163M00175	CAP WITH O-RING	M17 - ACNF240616DF
NS	3631000	DRIP SHIELD, 1.5 & 2 TON (M1, M2, M3, M4, M5, M6, M7, M8, M9)	M18 - ACNF240616DG
NS	3631001	DRIP SHIELD, 2.5 TON (M10, M11, M12, M13, M14, M15, M16, M17, M18, M19, M20, M21, M22, M23, M24, M25, M26)	M19 - ACNF240816DE
NS	3631002	DRIP SHIELD, 3 TON (M27, M28, M29)	M20 - ACNF240816DF
NS	3630005	EVAP SUPPORT ASSY LRG (M27, M28, M29)	M21 - ACNF240816DG
NS	3630004	EVAP SUPPORT ASSY MED (M10, M11, M12, M13, M14, M15, M16, M17, M18, M19, M20, M21, M22, M23, M24, M25, M26)	M22 - ACNF250016AC
NS	3630003	EVAP SUPPORT ASSY SML (M1, M2, M3, M4, M5, M6, M7, M8, M9)	M23 - ACNF250516AC
NS	PKCG-4001ZC	PISTON KIT CHART	M24 - ACNF250616AC
NS	0151M00104	VALVE CORE	M25 - ACNF250816AC
			M26 - ACNF251016AC
			M27 - ACNF300516DE
			M28 - ACNF300816DE
			M29 - ACNF301016DE
Image 2:			
152	0131M00779	ACNF25 BLDC CONTROLLER-1/4 HP (M22, M23, M24, M25, M26)	

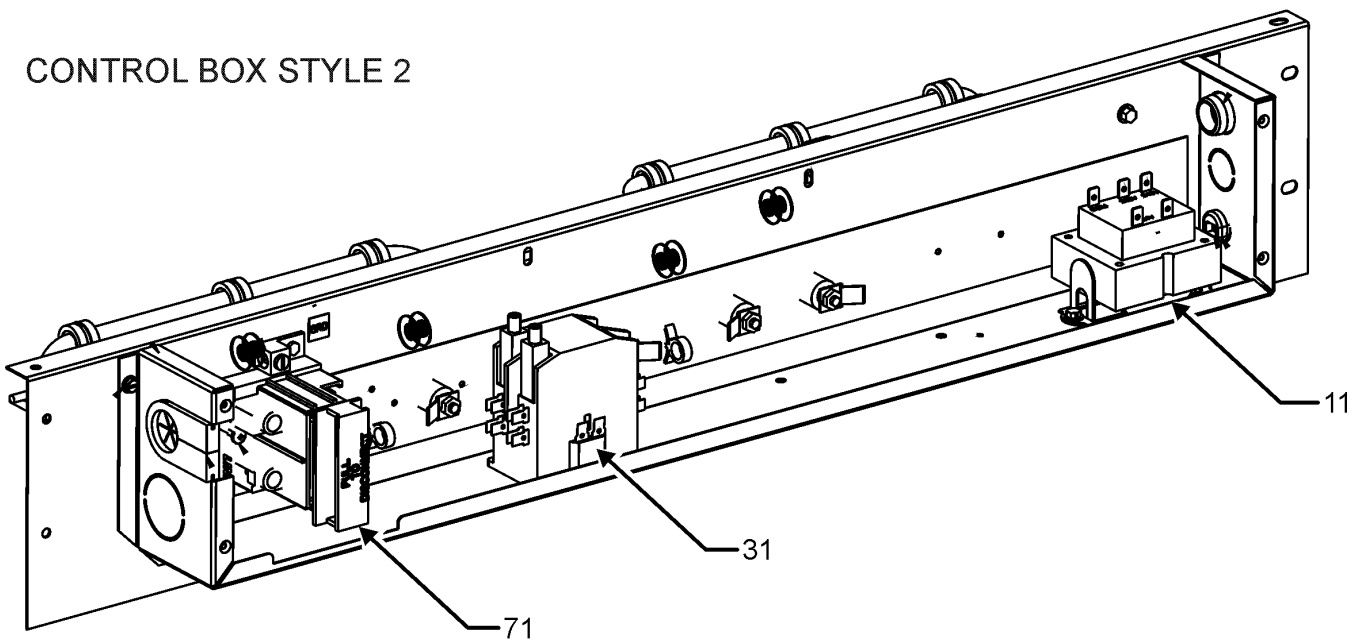
Control Box Assembly

SHOWN UPSIDE DOWN FOR CLARITY

CONTROL BOX STYLE 1



CONTROL BOX STYLE 2



Control Box Assembly

Ref. Part No:	No:	Description:	Ref. Part No:	No:	Description:
Image 1:			Expanded Model Nomenclature		
11	0130M00138	TRANSFORMER 208/230, 24V	M1	-	ACNF180016DE
31	CONT2P040024V	CONTACTOR 40 AMP, 2P, 24V (M4, M5, M6, M7, M8, M9, M13, M14, M15, M16, M17, M18, M19, M20, M21, M23, M24, M25, M26, M27, M28, M29)	M2	-	ACNF180016DF
41	PCBFM132	PCB, TIME DELAY (M1, M3, M4, M6, M7, M9, M10, M12, M13, M15, M16, M18, M19, M21, M27, M28, M29)	M3	-	ACNF180016DG
41	PCBFM103	PCB, TIME DELAY, EBTDR (M2, M5, M8, M11, M14, M17, M20)	M4	-	ACNF180516DF
71	0130A00167	DISCONNECT, PULLOUT (M4, M5, M6, M7, M8, M9, M13, M14, M15, M16, M17, M18, M19, M20, M21, M23, M24, M25, M26, M27, M28, M29)	M5	-	ACNF180516DG
71	0130A00168	DISCONNECT, PULLOUT (M1, M2, M3, M10, M11, M12, M22)	M6	-	ACNF180516DH
91	CAP050000370LA	CAPACITOR 5/370V (M1, M2, M3, M4, M5, M6, M7, M8, M9, M10, M11, M12, M13, M14, M15, M16, M17, M18, M19, M20, M21, M27, M28, M29)	M7	-	ACNF180816DF
NS	0159A00003	DOUBLE CRIMPED WIRE HARNESS (M22, M23, M24, M25, M26)	M8	-	ACNF180816DG
NS	0230M00002	X-13 POWER HARNESS (M22, M23, M24, M25, M26)	M9	-	ACNF180816DH
			M10	-	ACNF240016DD
			M11	-	ACNF240016DE
			M12	-	ACNF240016DF
			M13	-	ACNF240516DE
			M14	-	ACNF240516DF
			M15	-	ACNF240516DG
			M16	-	ACNF240616DE
			M17	-	ACNF240616DF
			M18	-	ACNF240616DG
			M19	-	ACNF240816DE
			M20	-	ACNF240816DF
			M21	-	ACNF240816DG
			M22	-	ACNF250016AC
			M23	-	ACNF250516AC
			M24	-	ACNF250616AC
			M25	-	ACNF250816AC
			M26	-	ACNF251016AC
			M27	-	ACNF300516DE
			M28	-	ACNF300816DE
			M29	-	ACNF301016DE